



US00D484096S

(12) **United States Design Patent**
Mackin et al.

(10) **Patent No.:** **US D484,096 S**
(45) **Date of Patent:** **** Dec. 23, 2003**

(54) **ELECTRICAL WIRING DEVICE**
(75) Inventors: **Michael P. Mackin**, Chicago, IL (US);
Yih-Chyuan Chiou, Wilmette, IL (US)
(73) Assignee: **Woodhead Industries, Inc.**, Deerfield,
IL (US)

4,726,780 A * 2/1988 Thackeray 439/369 X
4,907,985 A * 3/1990 Johnsen 439/369
5,219,304 A * 6/1993 Lin D13/138.2 X
5,304,075 A * 4/1994 Hoffman 439/472
D368,070 S * 3/1996 Krokaugger D13/133
D407,371 S * 3/1999 Pudims et al. D13/138.2
D460,735 S * 7/2002 Verfuert D13/137.4

(**) Term: **14 Years**

* cited by examiner

(21) Appl. No.: **29/183,755**

Primary Examiner—Joel Sincavage

(22) Filed: **Jun. 17, 2003**

(74) *Attorney, Agent, or Firm*—Emrich & Dithmar

(51) **LOC (7) Cl.** **13-03**

(52) **U.S. Cl.** **D13/138.2**

(58) **Field of Search** D13/137.1, 137.4,
D13/138.1, 138.2, 154; 439/465, 472, 651,
652, 106, 369

(57) **CLAIM**

The ornamental design for an electrical wiring device, as shown and described.

(56) **References Cited**

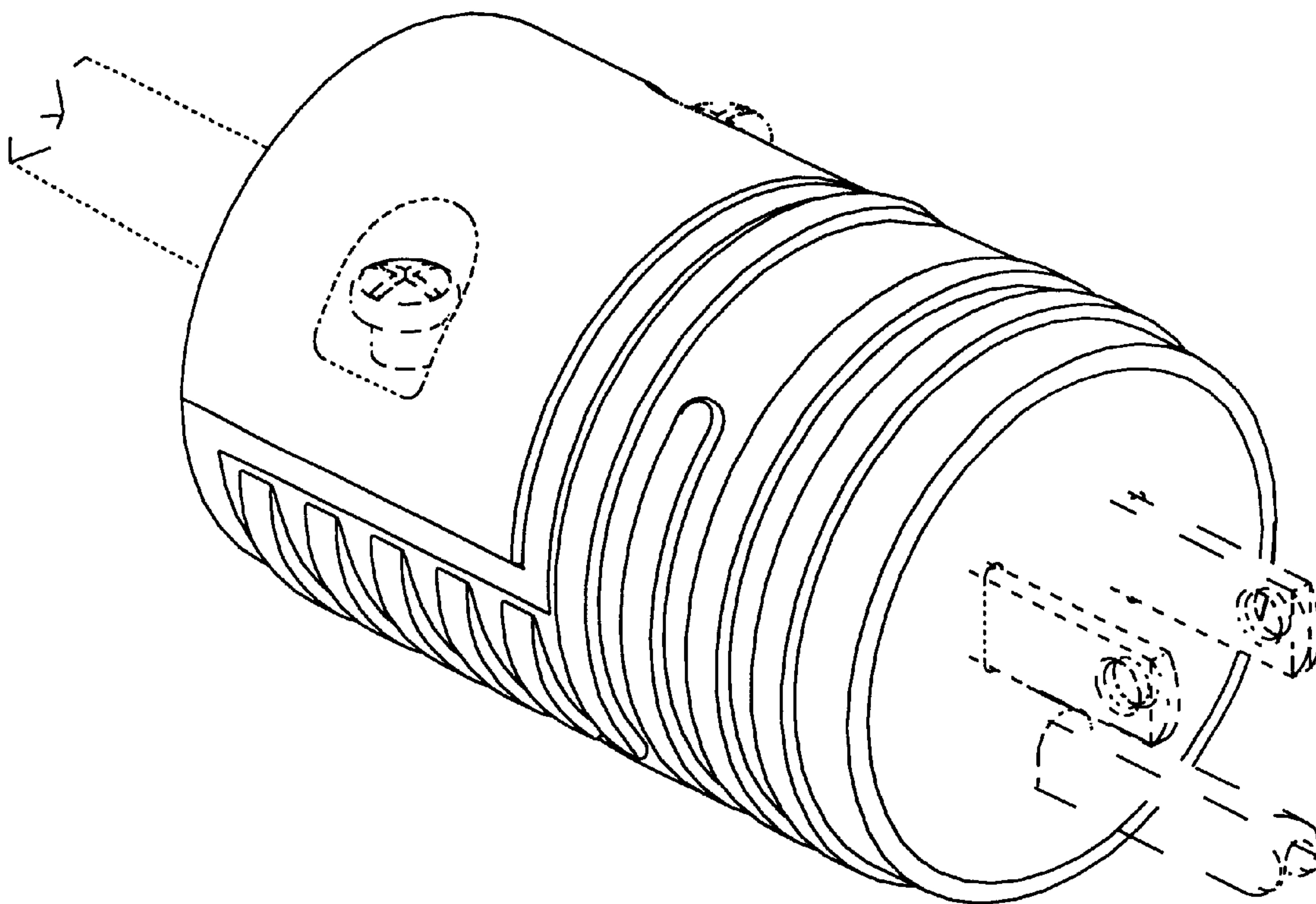
U.S. PATENT DOCUMENTS

D217,614 S * 5/1970 Kress D13/138.2
D217,615 S * 5/1970 Kress D13/139.7
3,571,781 A * 3/1971 Gartland et al. D13/137.4 X
3,784,961 A * 1/1974 Gartland, Jr. 439/465

DESCRIPTION

FIG. 1 is a front elevational view of an electrical wiring device incorporating our new design; FIG. 2 is a perspective view thereof; FIG. 3 is a right side elevational view thereof; FIG. 4 is a rear elevational view thereof; and, FIG. 5 is a left side elevational view thereof.

1 Claim, 3 Drawing Sheets



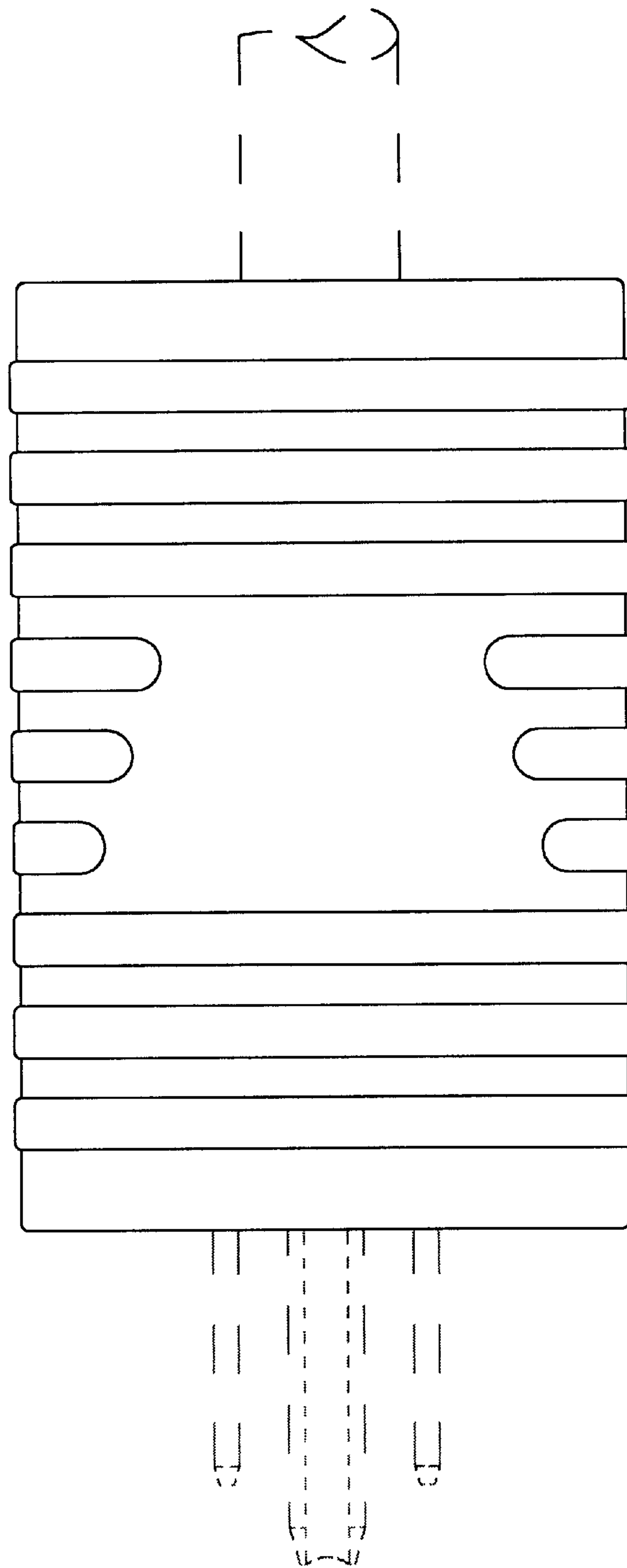


FIG. 1

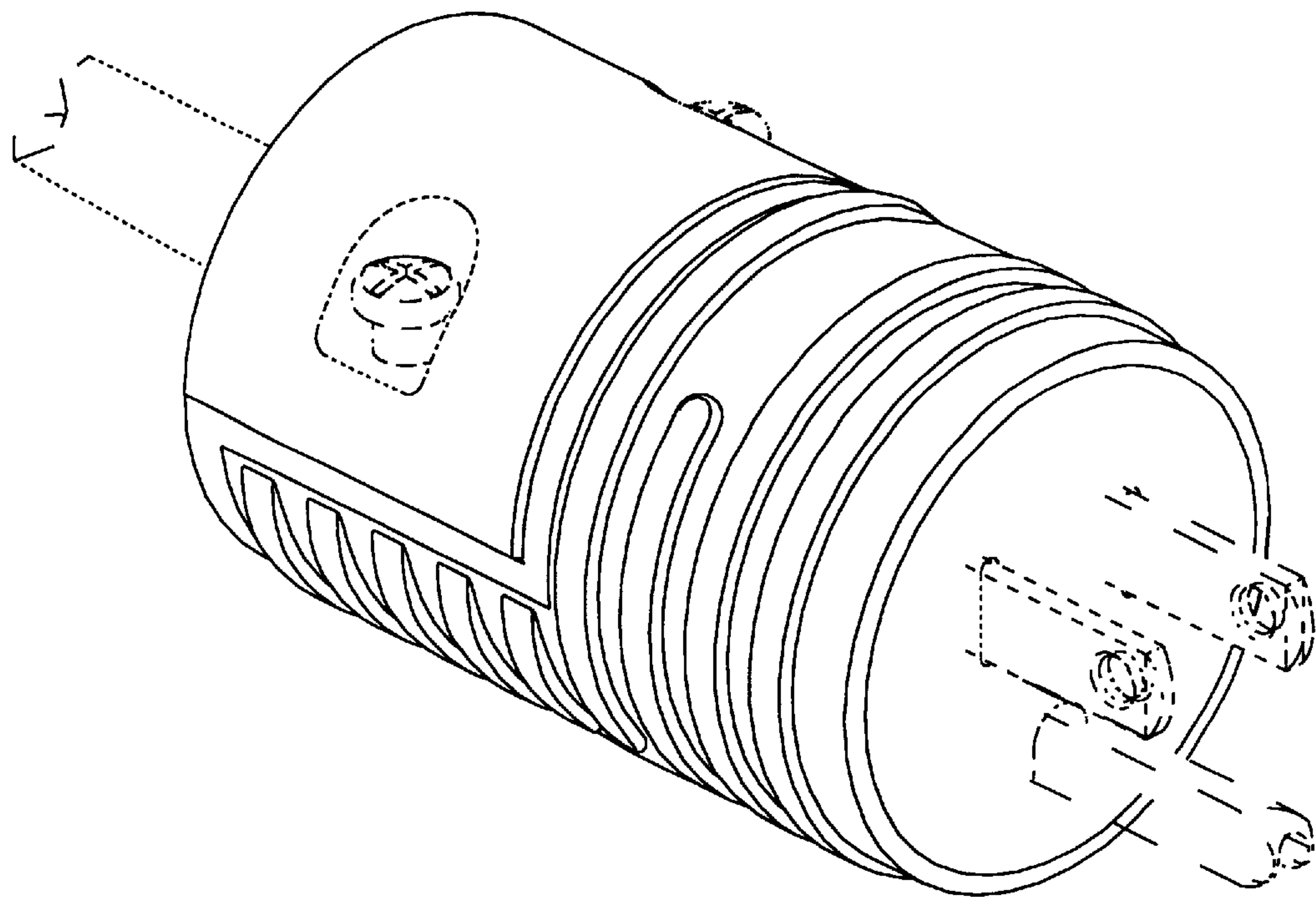


FIG. 2

FIG. 5

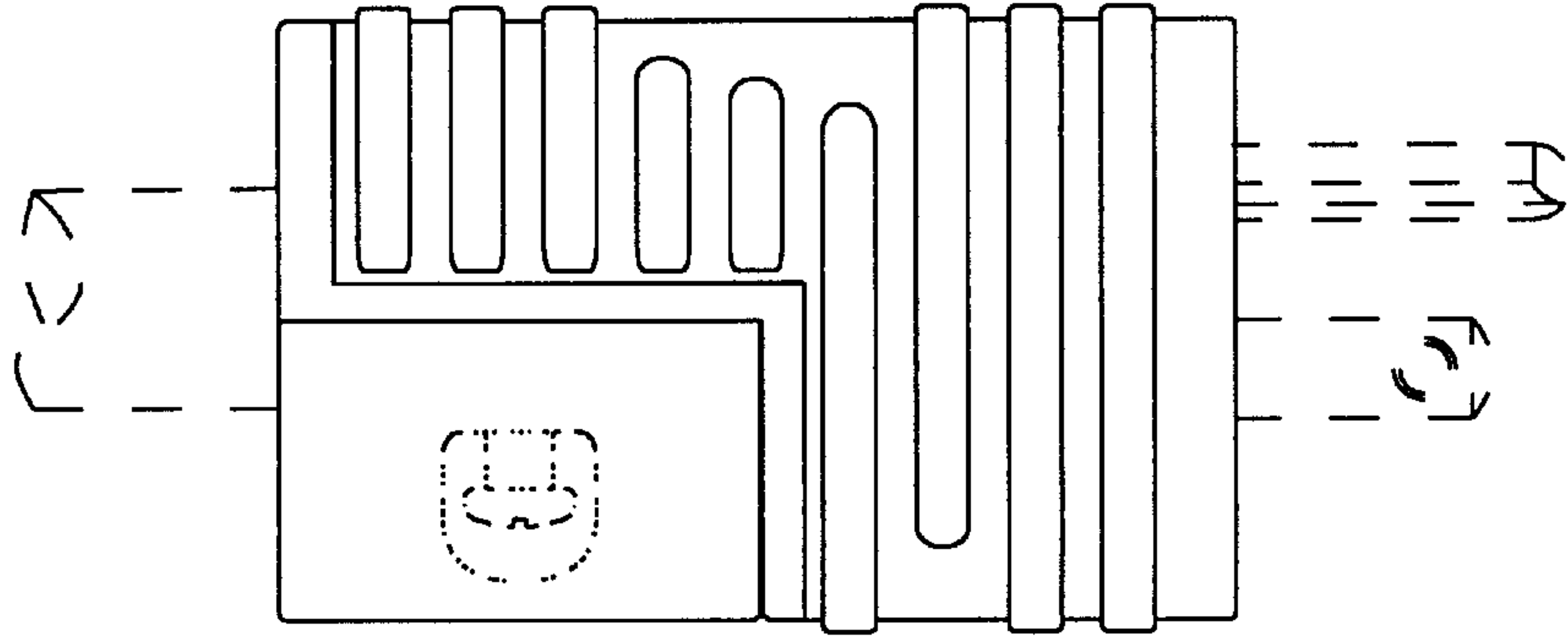


FIG. 4

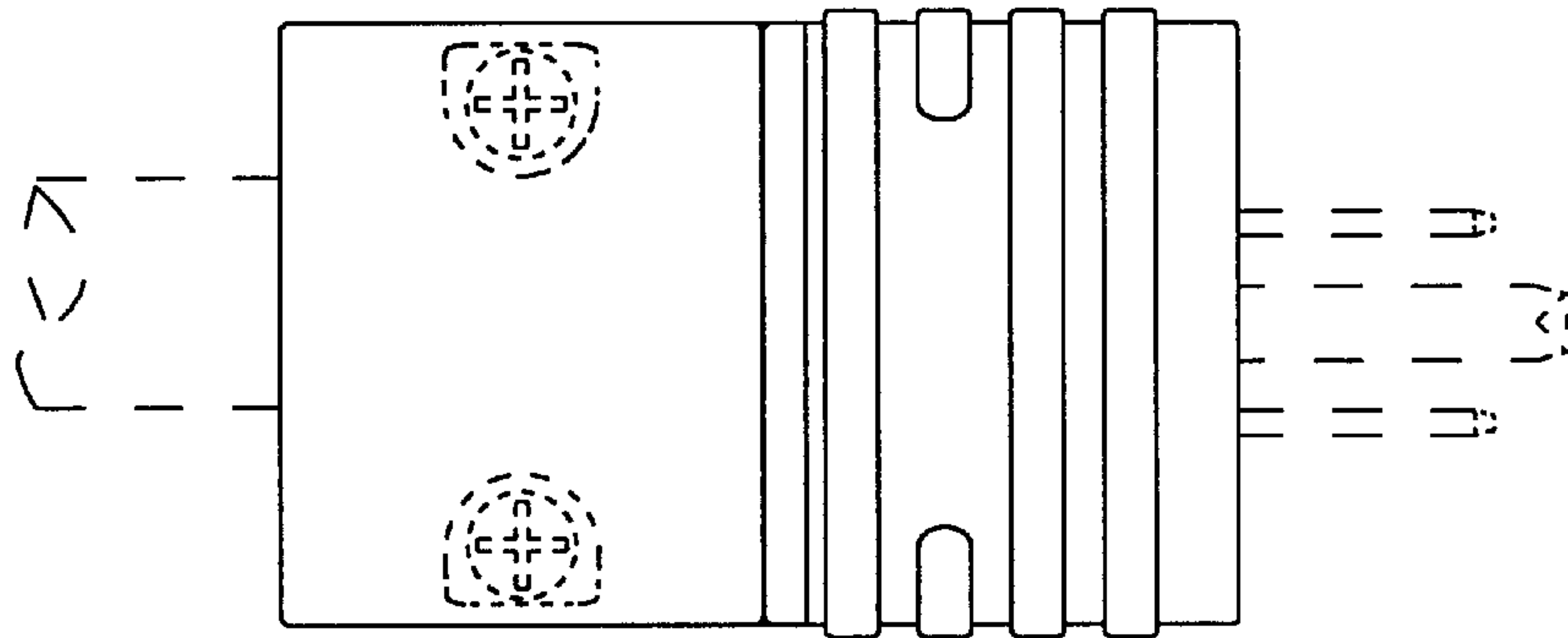


FIG. 3

