



US00D484094S

(12) **United States Design Patent**
Xiao

(10) **Patent No.:** **US D484,094 S**

(45) **Date of Patent:** **** Dec. 23, 2003**

(54) **USB CHARGER**

(75) Inventor: **Hui Xiao, Kunsan (CN)**

(73) Assignee: **Hon Hai Precision Ind. Co., Ltd.,
Taipei Hsien (TW)**

(**) Term: **14 Years**

(21) Appl. No.: **29/171,356**

(22) Filed: **Nov. 19, 2002**

(51) **LOC (7) Cl.** **13-02**

(52) **U.S. Cl.** **D13/108**

(58) **Field of Search** D13/107, 108;
320/107-115

(56) **References Cited**

U.S. PATENT DOCUMENTS

5,309,092	A	*	5/1994	Kuntz et al.	324/158.1
D379,346	S	*	5/1997	Mieki	D13/107
5,918,189	A	*	6/1999	Kivela	455/575
D428,386	S	*	7/2000	Ahlgren	D13/107
D465,451	S	*	11/2002	Hirano et al.	D13/107
6,498,458	B1	*	12/2002	Chen	320/114

D468,258 S * 1/2003 Guo et al. D13/107
2002/0061739 A1 * 5/2002 Nakamura et al. 455/343.1

* cited by examiner

Primary Examiner—Joel Sincavage

(74) *Attorney, Agent, or Firm*—Wei Te Chung

(57) **CLAIM**

The ornamental design for a USB charger, as shown and described.

DESCRIPTION

FIG. 1 is a front, top and left side perspective view of a USB charger showing my new design.

FIG. 2 is a front elevational view thereof.

FIG. 3 is a rear elevational view thereof.

FIG. 4 is a left side elevational view thereof.

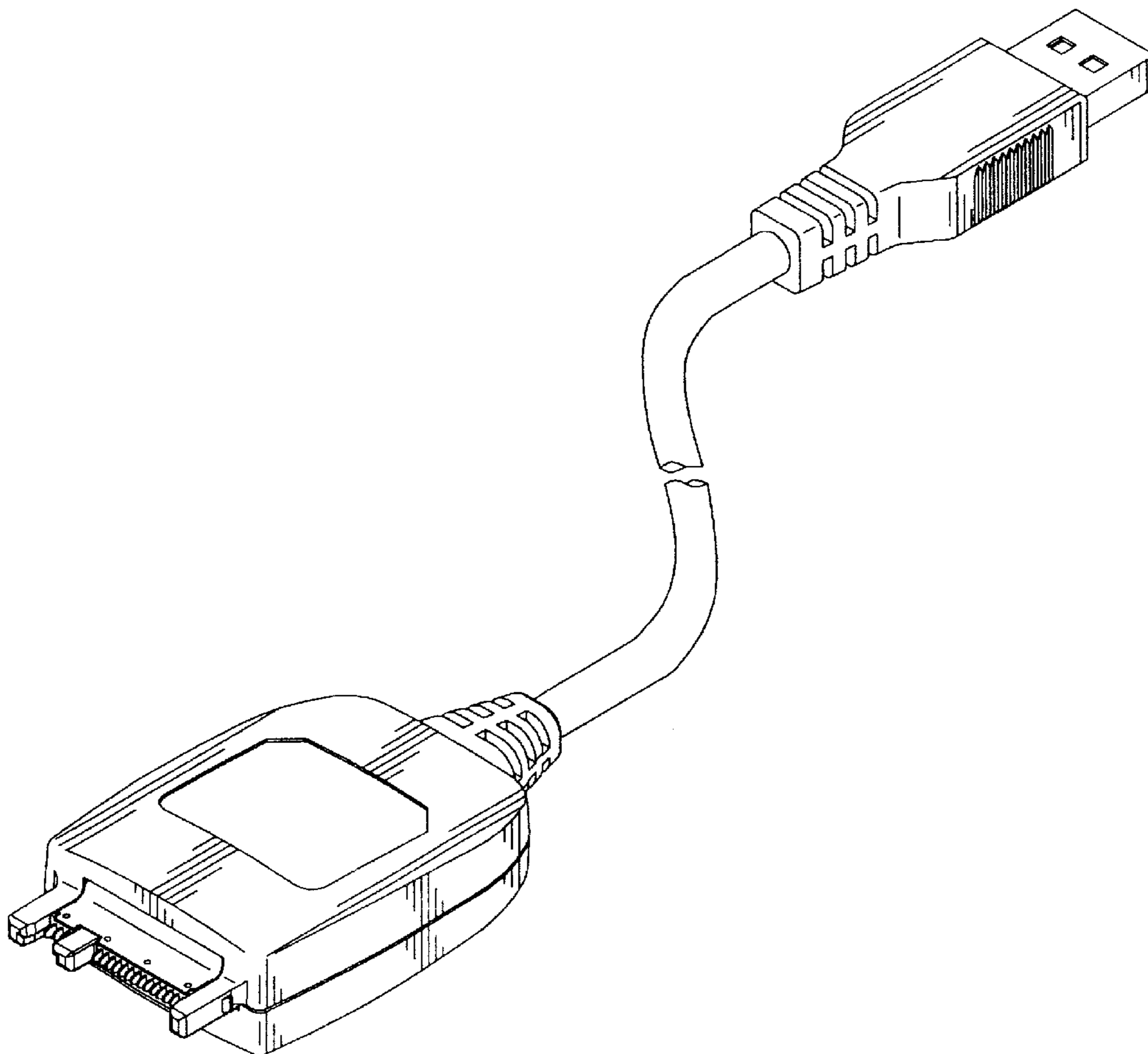
FIG. 5 is a right side elevational view thereof.

FIG. 6 is a top plan view thereof; and,

FIG. 7 is a bottom plan view thereof.

The cable is shown broken away throughout the drawing figures because the specific length of the cable forms no part of the claimed design.

1 Claim, 7 Drawing Sheets



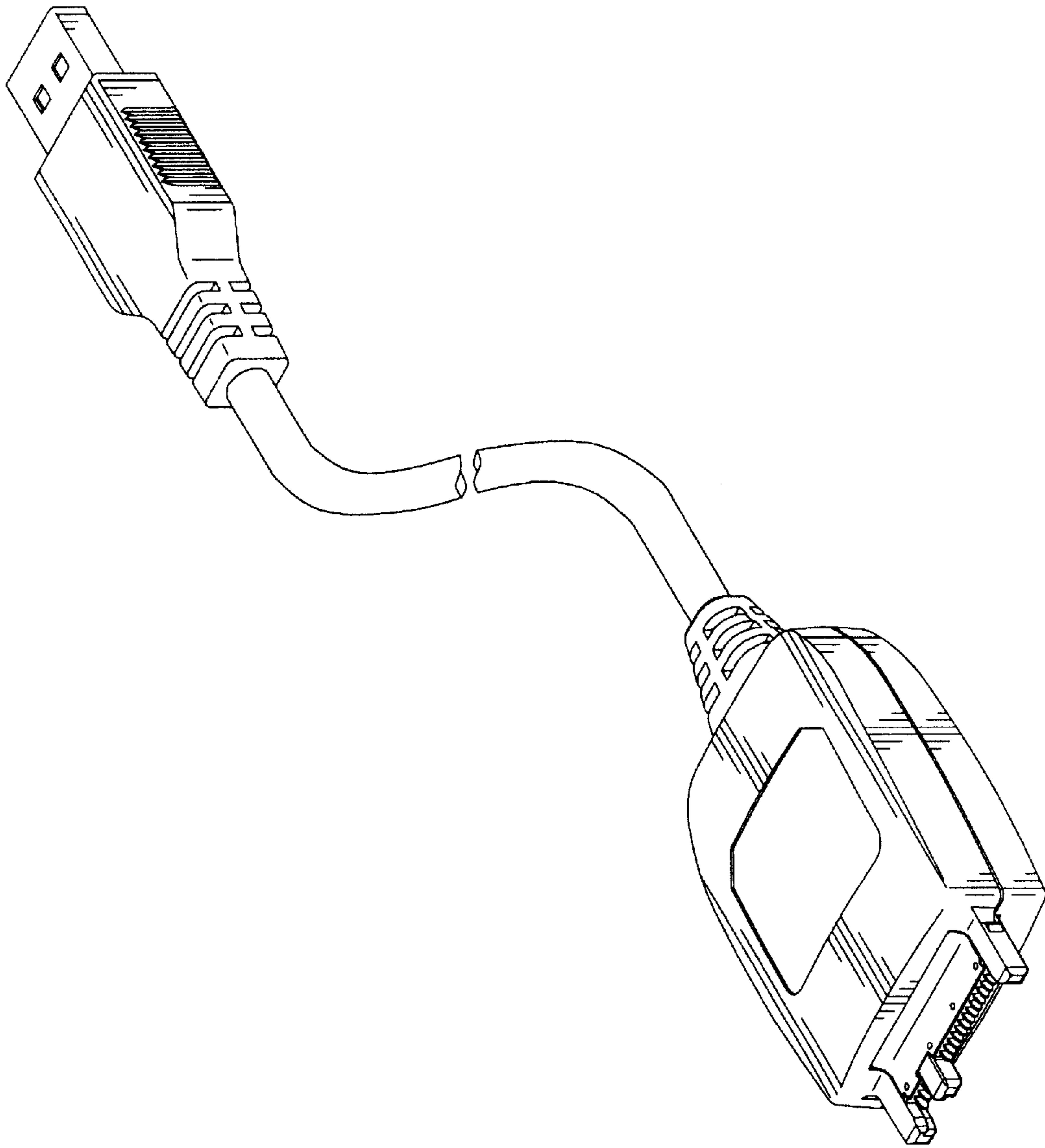


FIG. 1

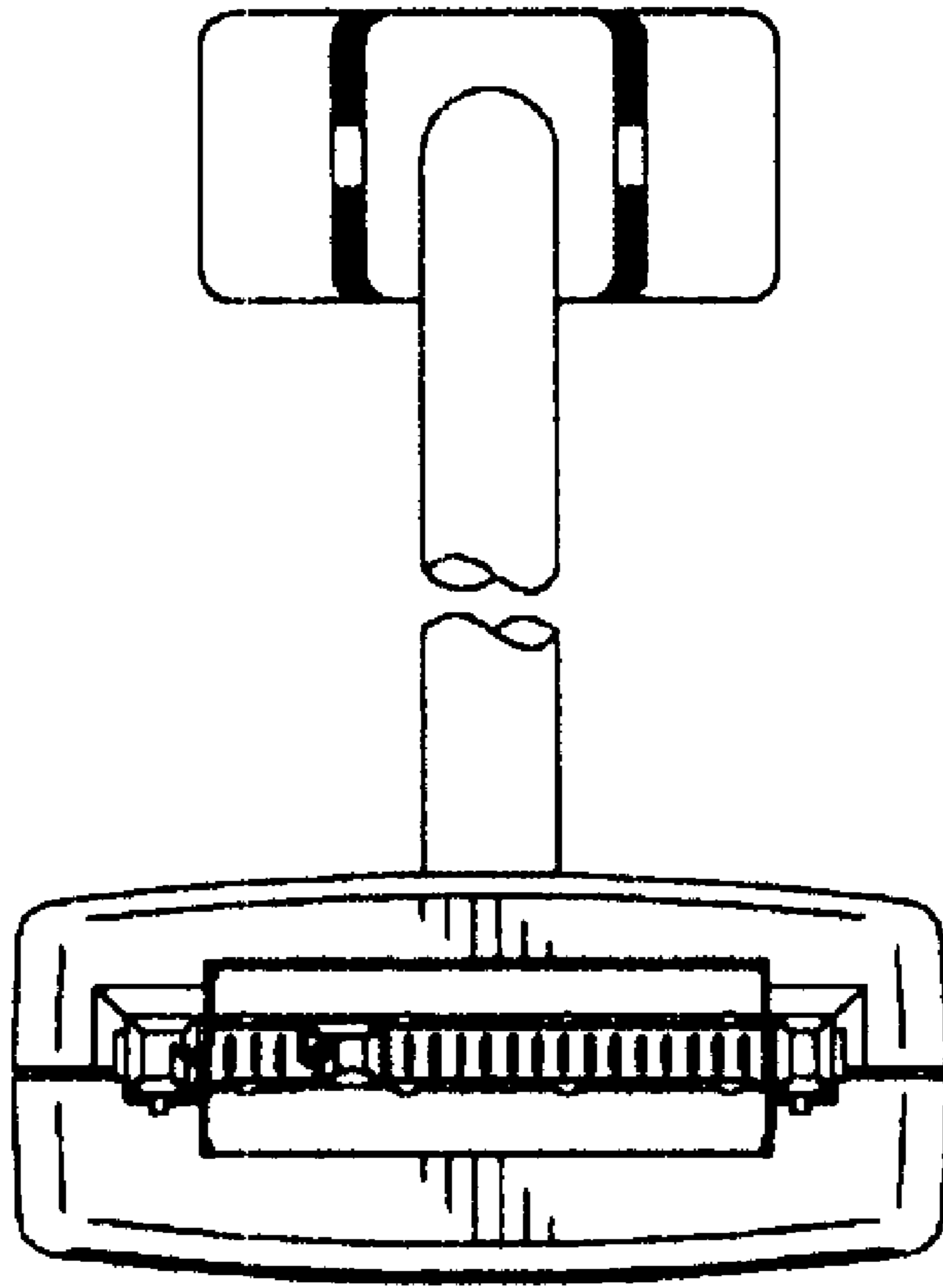


FIG. 2

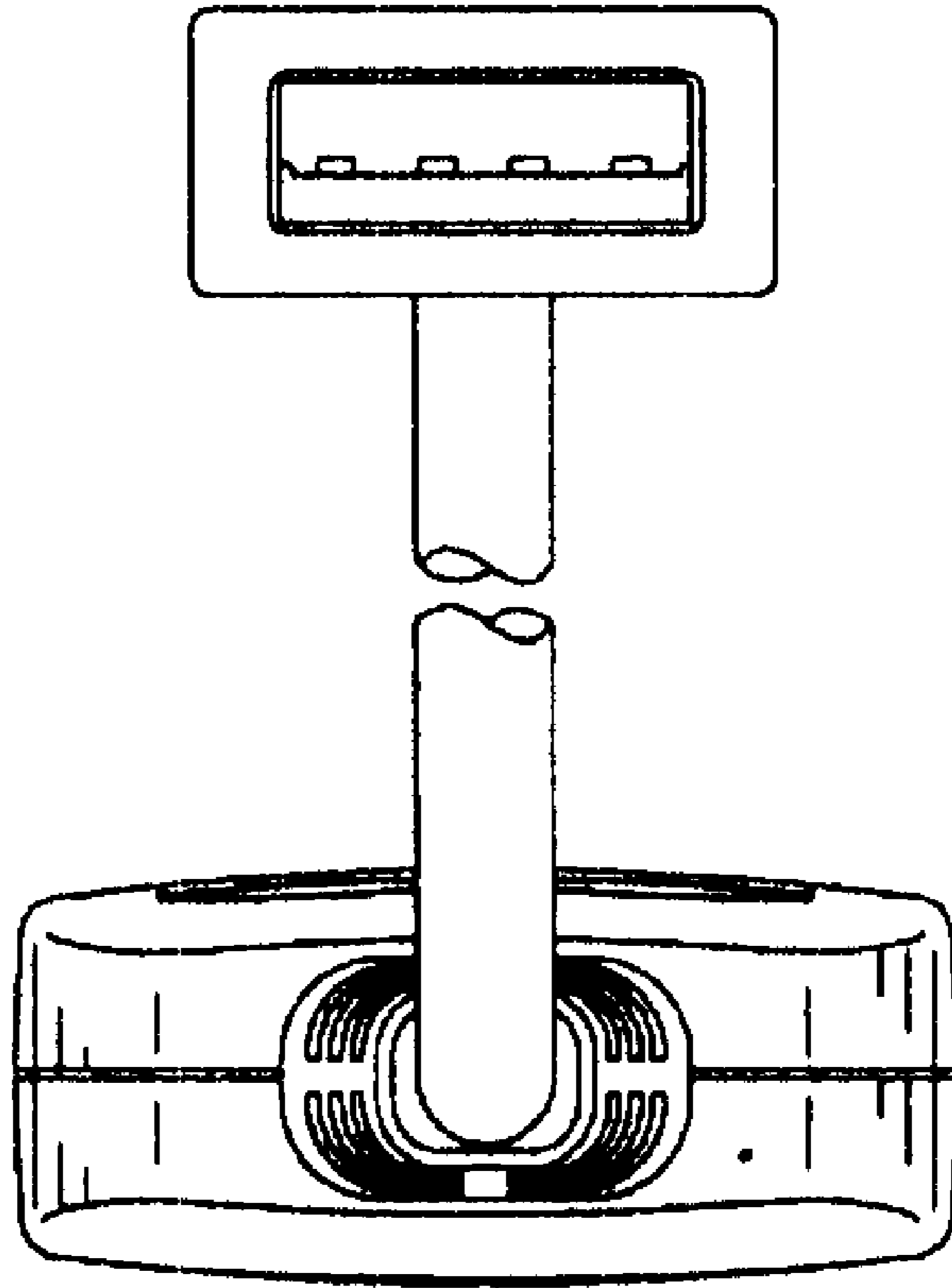


FIG. 3

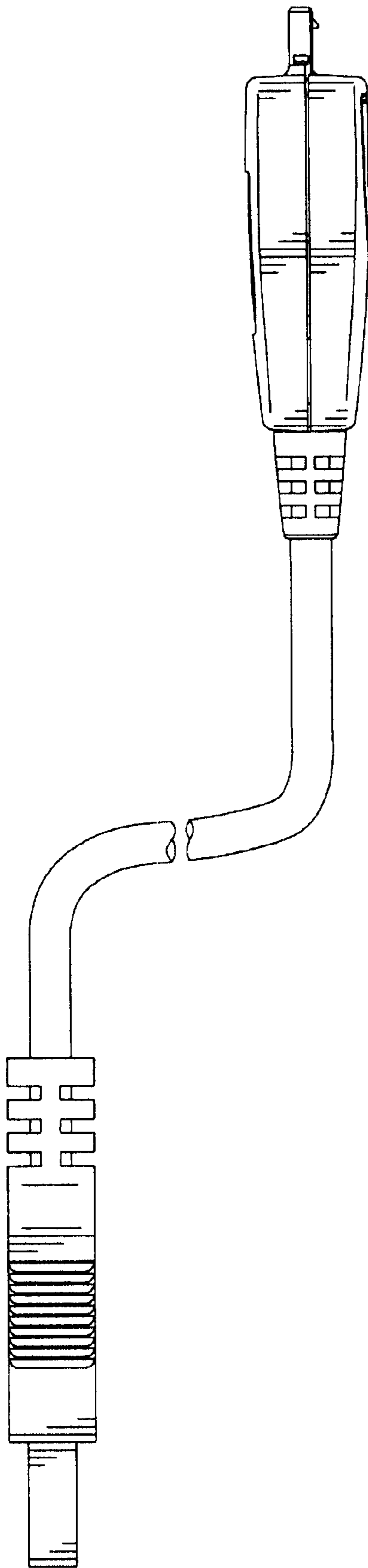


FIG. 4

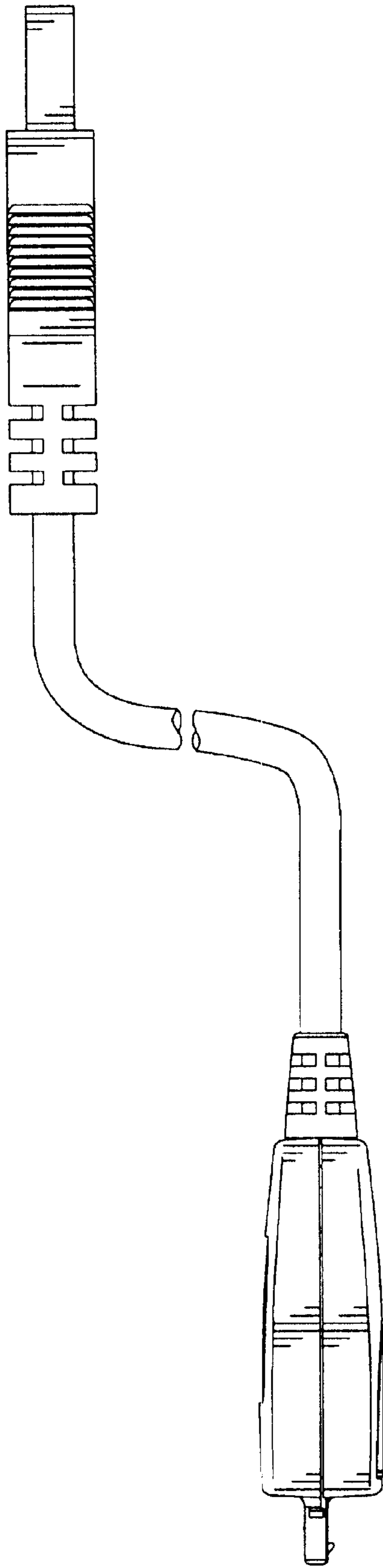


FIG. 5

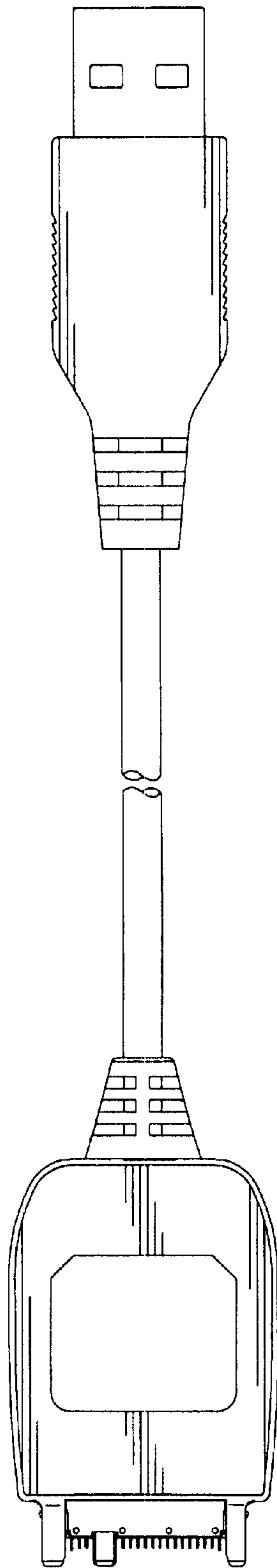


FIG. 6

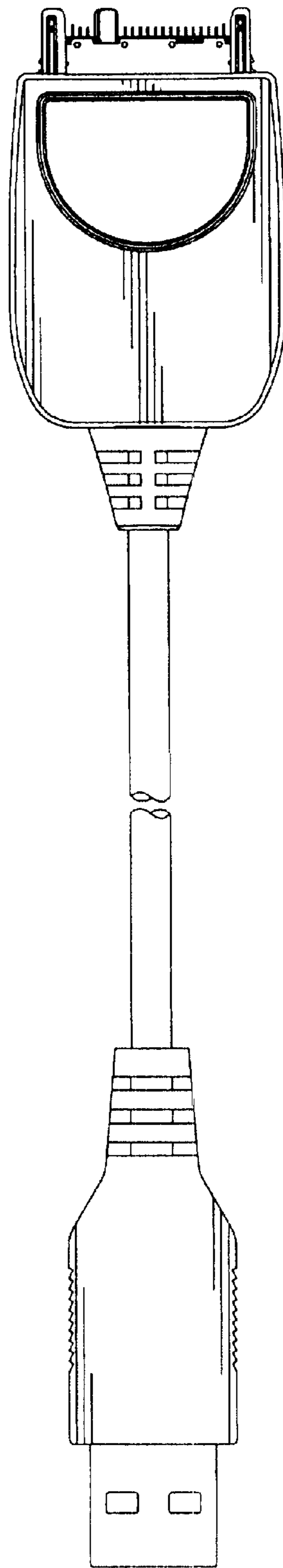


FIG. 7