



US00D484087S

(12) **United States Design Patent**
Cheng et al.

(10) **Patent No.:** **US D484,087 S**

(45) **Date of Patent:** **** Dec. 23, 2003**

(54) **VEHICLE AIR-VENT ATTACHED CONTAINER**

(76) Inventors: **John C. Cheng**, 688 E. Las Flores Dr., Altadena, CA (US) 91001; **Calvin S. Wang**, 14317 E. Don Julian Rd., Industry, CA (US) 91746

(**) Term: **14 Years**

(21) Appl. No.: **29/112,485**

(22) Filed: **Oct. 19, 1999**

(51) **LOC (7) Cl.** **12-16**

(52) **U.S. Cl.** **D12/420; D12/400**

(58) **Field of Search** D12/400, 415, D12/420; D7/619-620, 623, 625; D21/701, 703, 705; D6/531-534; 211/74-75, 71.01; 220/737, 741; 248/309.1-309.3, 311.2, 206.2; 224/926, 400, 539, 482; 150/154

(56) **References Cited**

U.S. PATENT DOCUMENTS

- D326,359 S * 5/1992 Friend D7/620
- D327,981 S * 7/1992 Speers D7/620
- D337,199 S * 7/1993 Ochs D7/620

D342,192 S * 12/1993 Yu D7/620

D373,564 S * 9/1996 Borel D12/400

D374,855 S * 10/1996 Lazzeroni et al. D12/415

D409,135 S * 5/1999 Davis D12/420

D461,996 S * 8/2002 Liao D7/620

* cited by examiner

Primary Examiner—Stacia Cadmus

(74) *Attorney, Agent, or Firm*—Albert O. Cota

(57) **CLAIM**

The ornamental design for a vehicle air-vent attached container, as shown and described.

DESCRIPTION

FIG. 1 is a perspective view of a vehicle air-vent attached container showing my new design;

FIG. 2 is a right-side elevational view thereof;

FIG. 3 is a top plan view thereof;

FIG. 4 is a rear elevational view thereof;

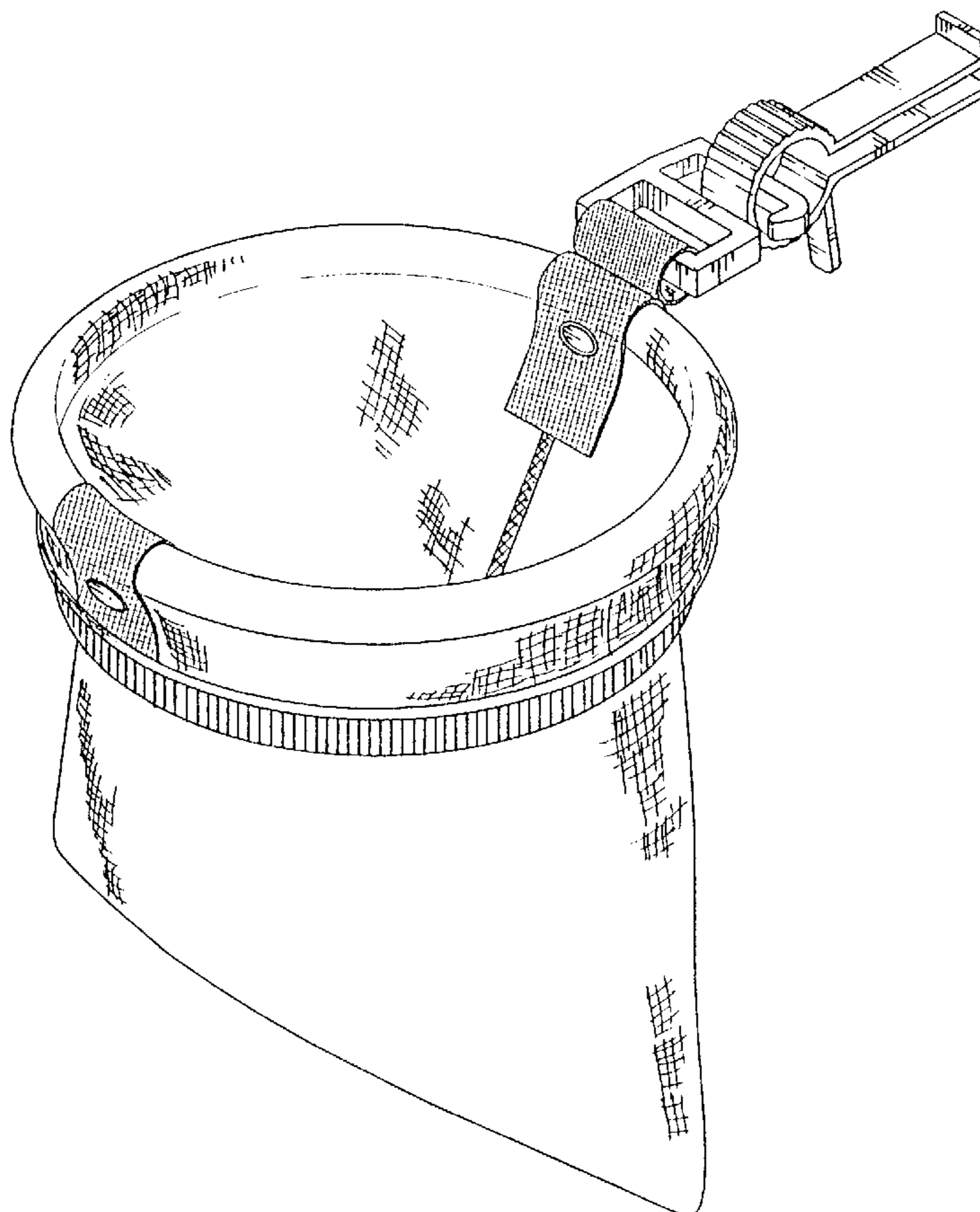
FIG. 5 is a left-side elevational view thereof;

FIG. 6 is a front elevational view thereof; and,

FIG. 7 is a bottom plan view thereof.

The cross hatched shading on the container is understood to cover the entire surface.

1 Claim, 3 Drawing Sheets



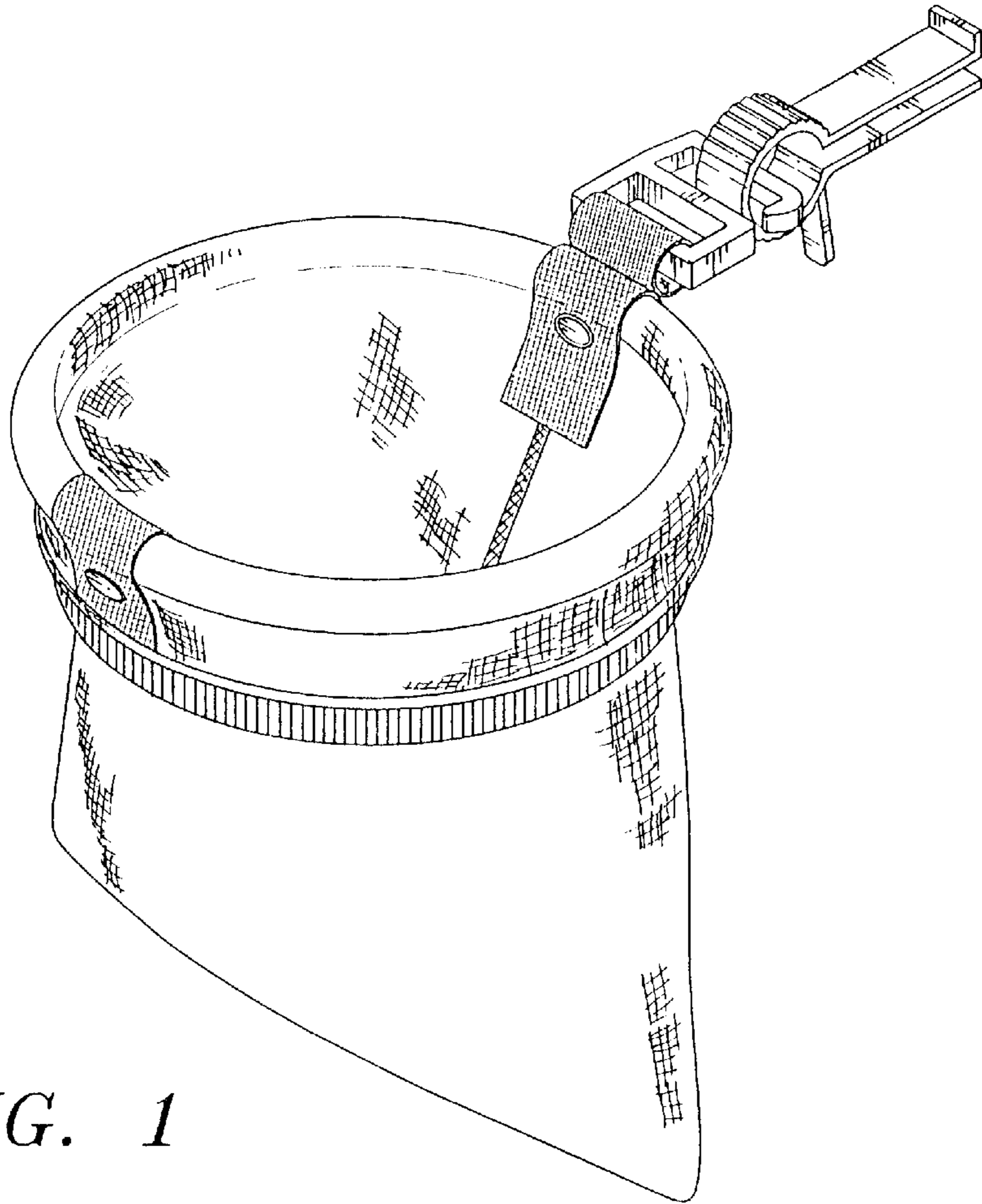


FIG. 1

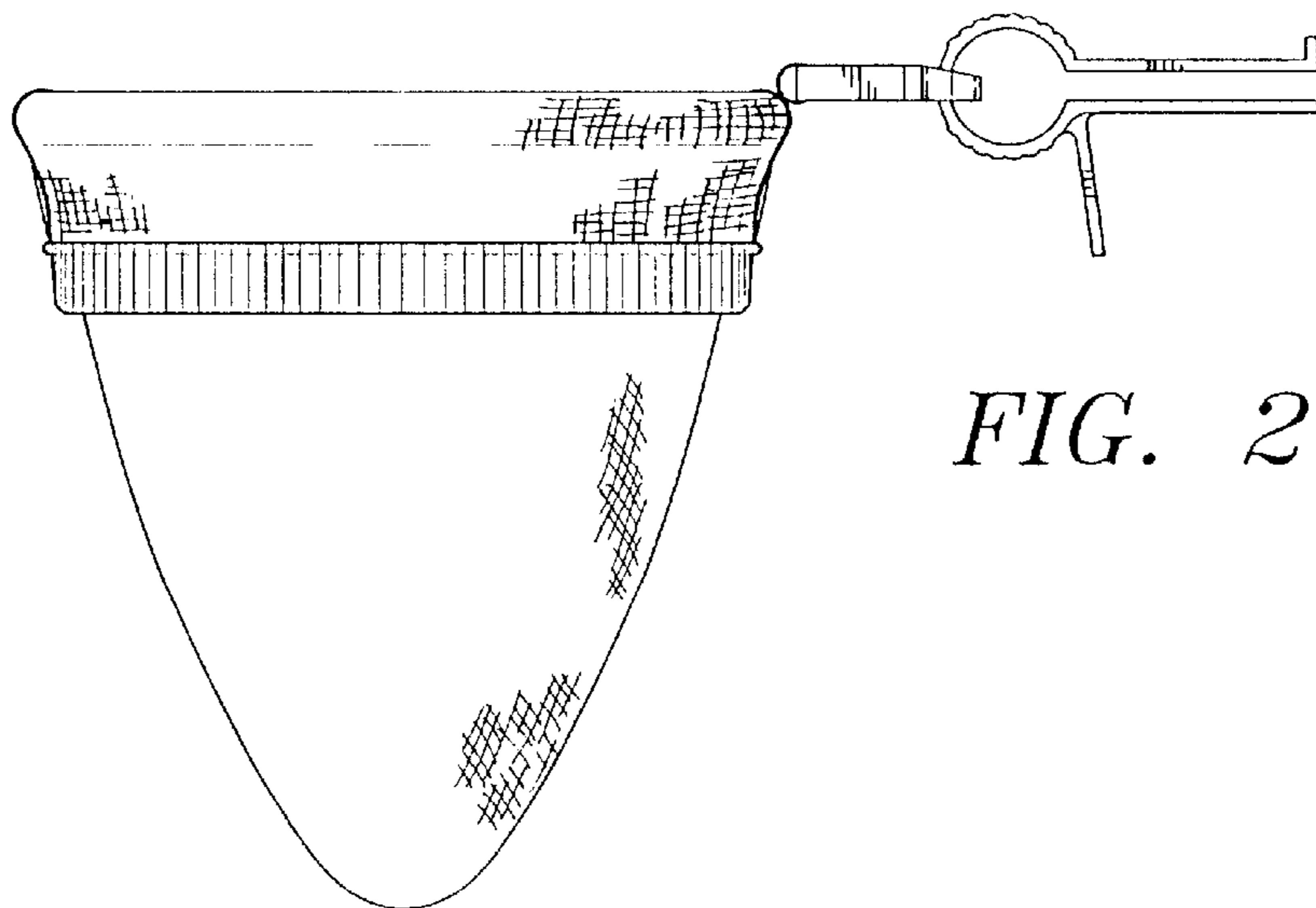


FIG. 2

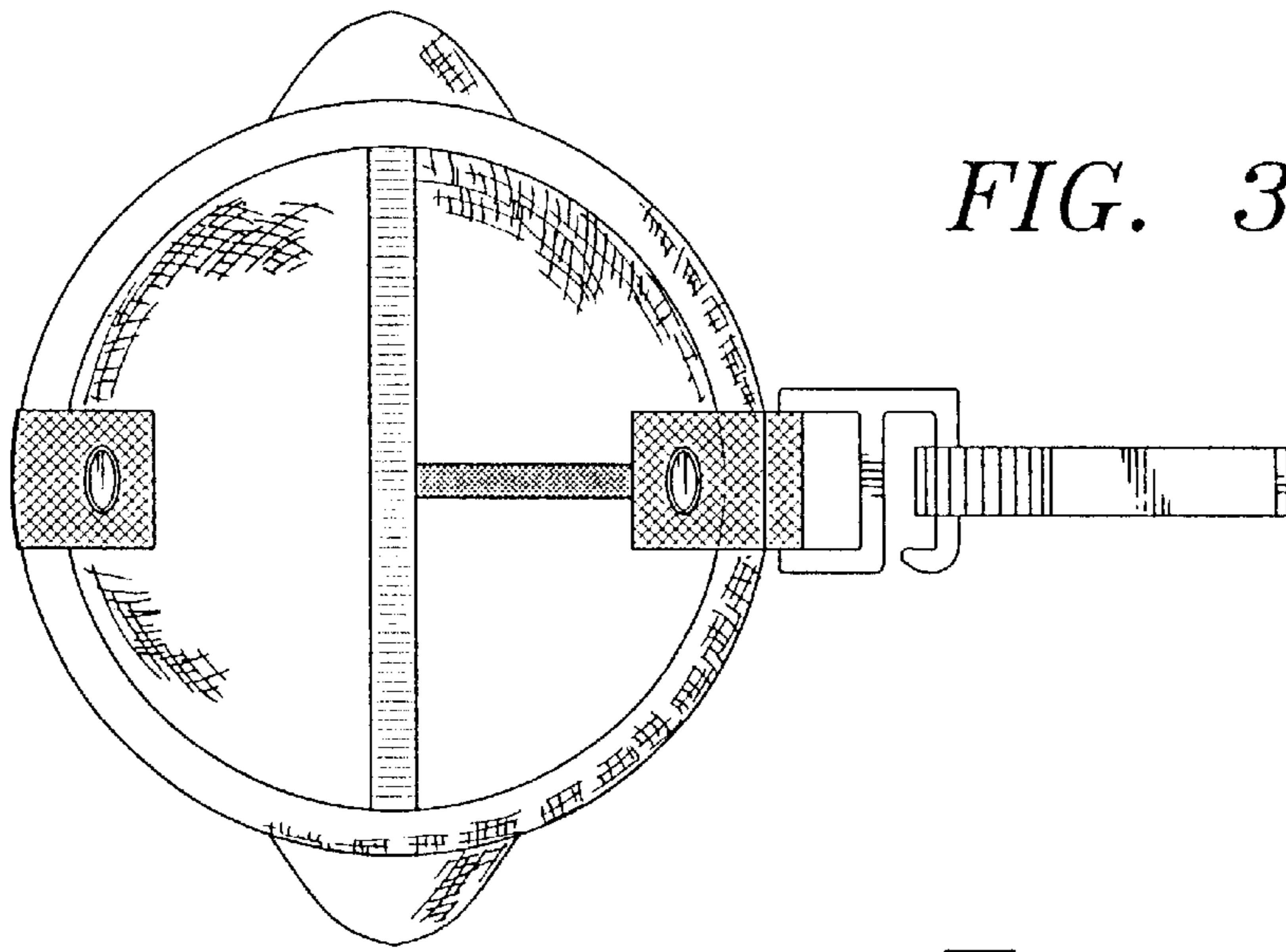


FIG. 3

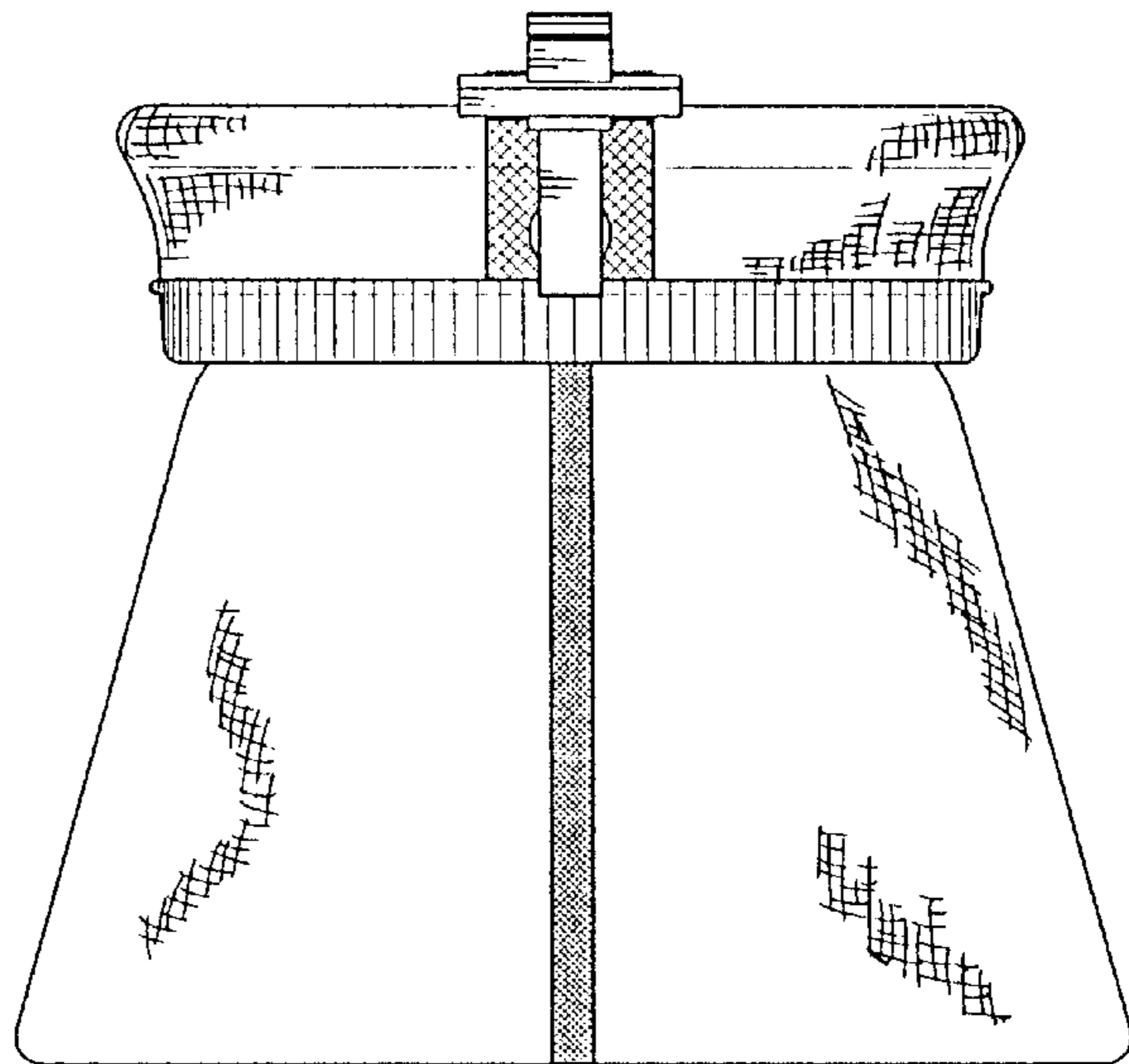


FIG. 4

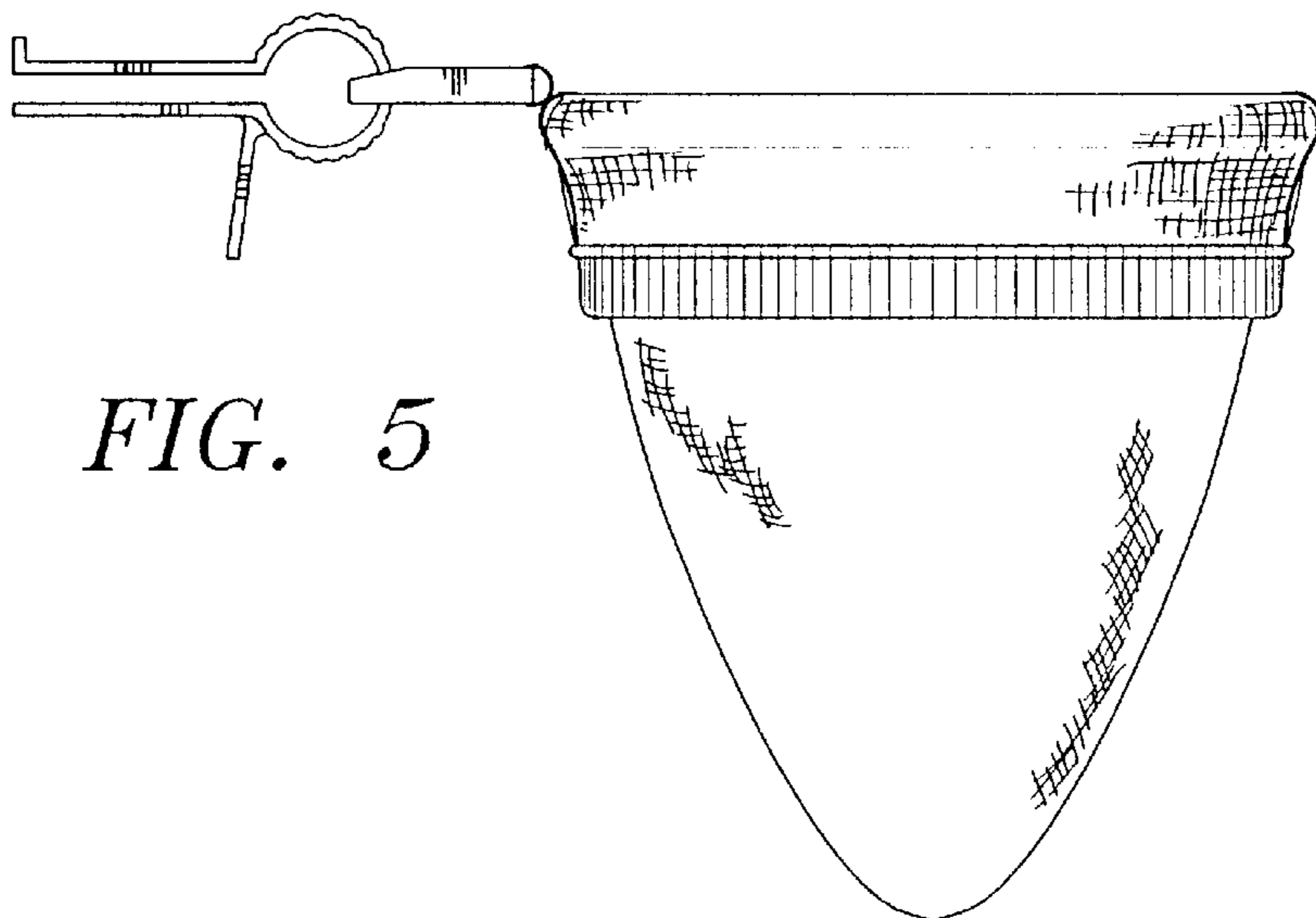


FIG. 5

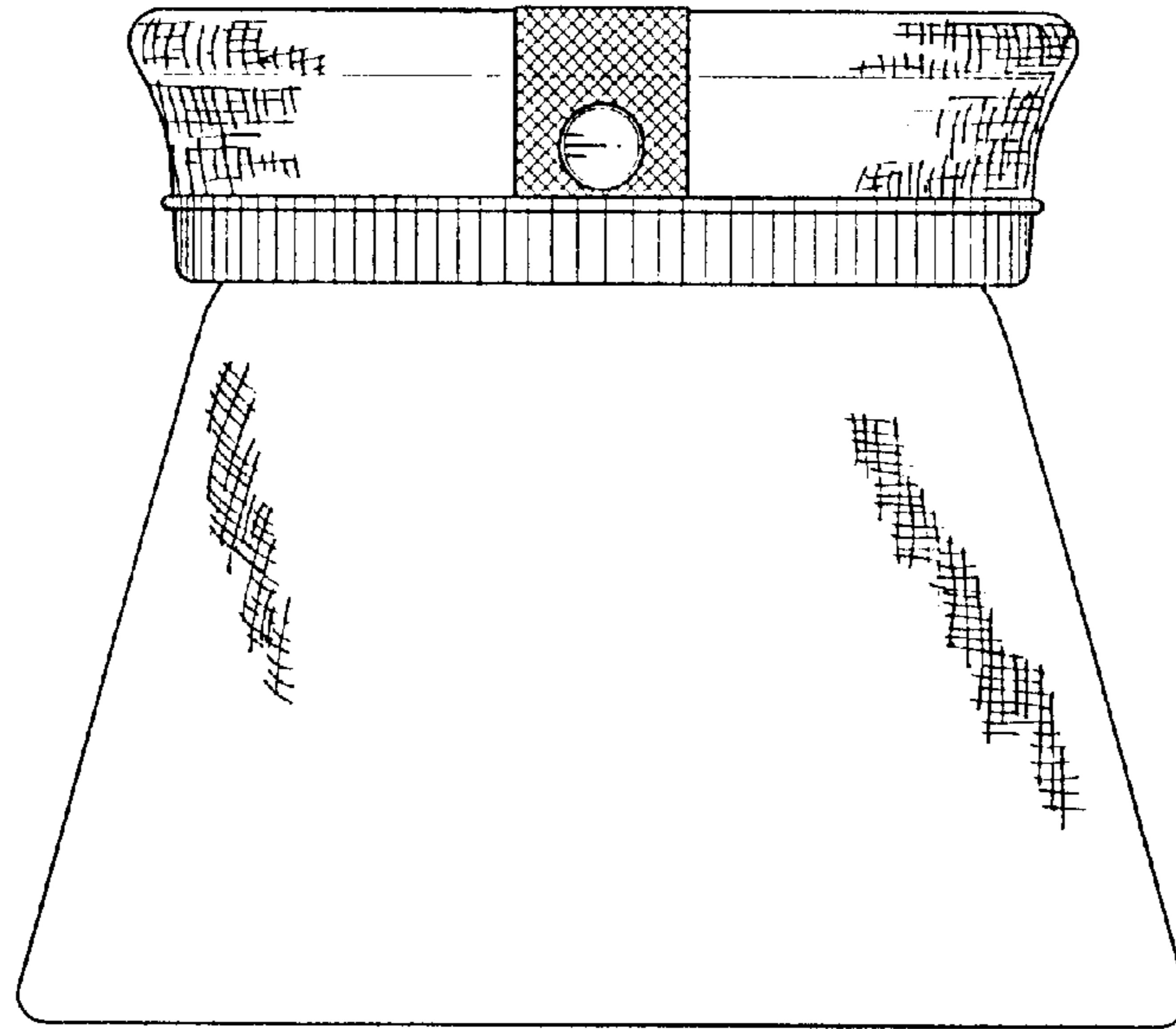


FIG. 6

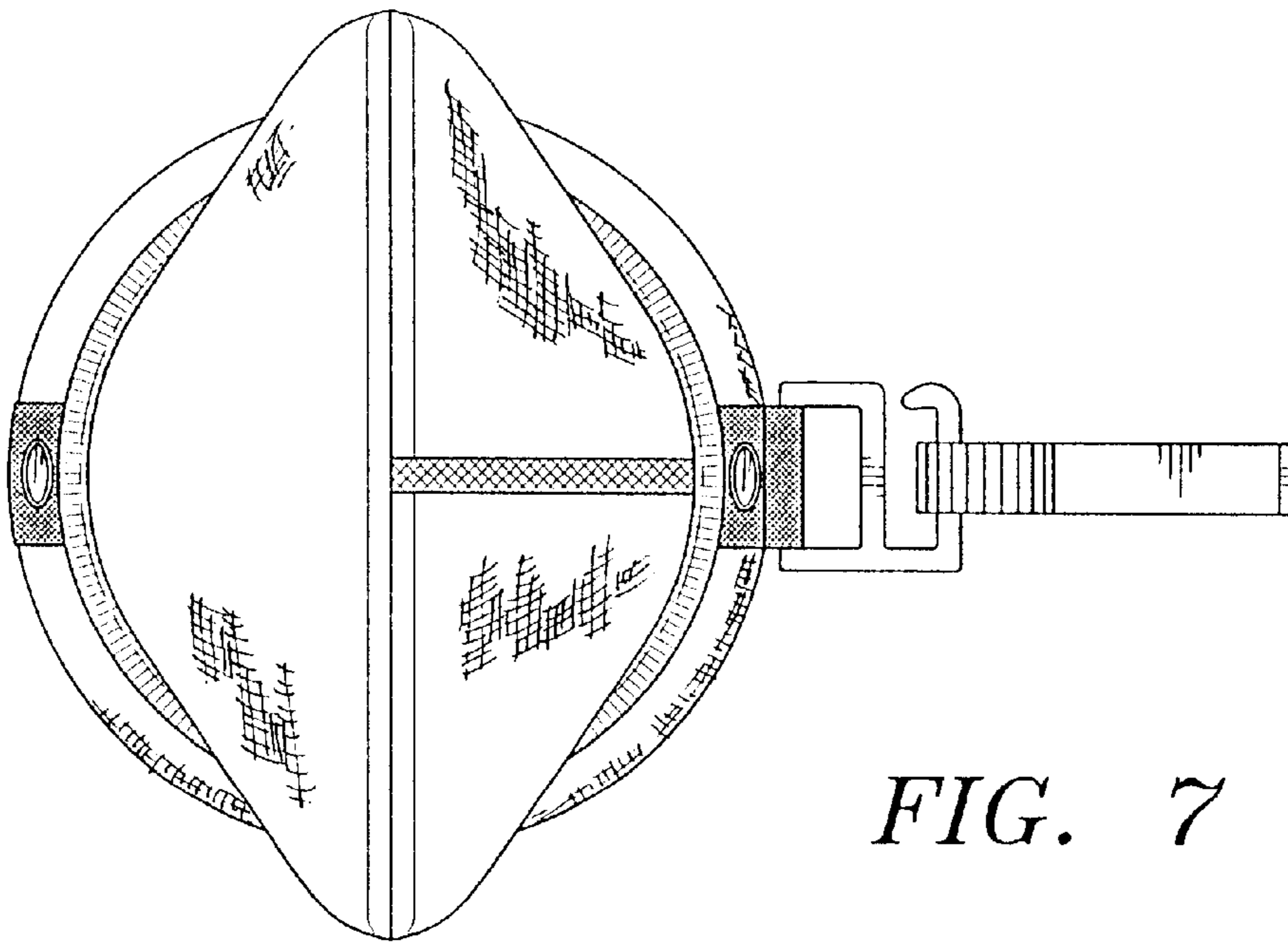


FIG. 7