



US00D484086S

(12) **United States Design Patent**
Davidson et al.

(10) **Patent No.:** **US D484,086 S**

(45) **Date of Patent:** **** Dec. 23, 2003**

(54) **UPPER SURFACE PORTION OF A WATERCRAFT BUNK CUSHION**

(75) Inventors: **Edward D. Davidson**, Vashon, WA (US); **Kenneth E. Hey**, Seattle, WA (US)

(73) Assignee: **Sunstream Corporation**, Kent, WA (US)

(**) Term: **14 Years**

(21) Appl. No.: **29/173,610**

(22) Filed: **Dec. 31, 2002**

(51) **LOC (7) Cl.** **12-06**

(52) **U.S. Cl.** **D12/318**

(58) **Field of Search** D12/318, 317; D6/601; 114/188; 5/731, 902, 900.5, 9.1

(74) *Attorney, Agent, or Firm*—Davis Wright Tremaine LLP; George C. Rondeau, Jr.

(57) **CLAIM**

The ornamental design for an upper surface portion of a watercraft bunk cushion, as shown and described.

DESCRIPTION

FIG. 1 is a front perspective view of an upper surface portion of a watercraft bunk cushion showing our new design.

FIG. 2 is a left side elevational view thereof.

FIG. 3 is a right side elevational view thereof.

FIG. 4 is a top plan view thereof.

FIG. 5 is a bottom plan view thereof.

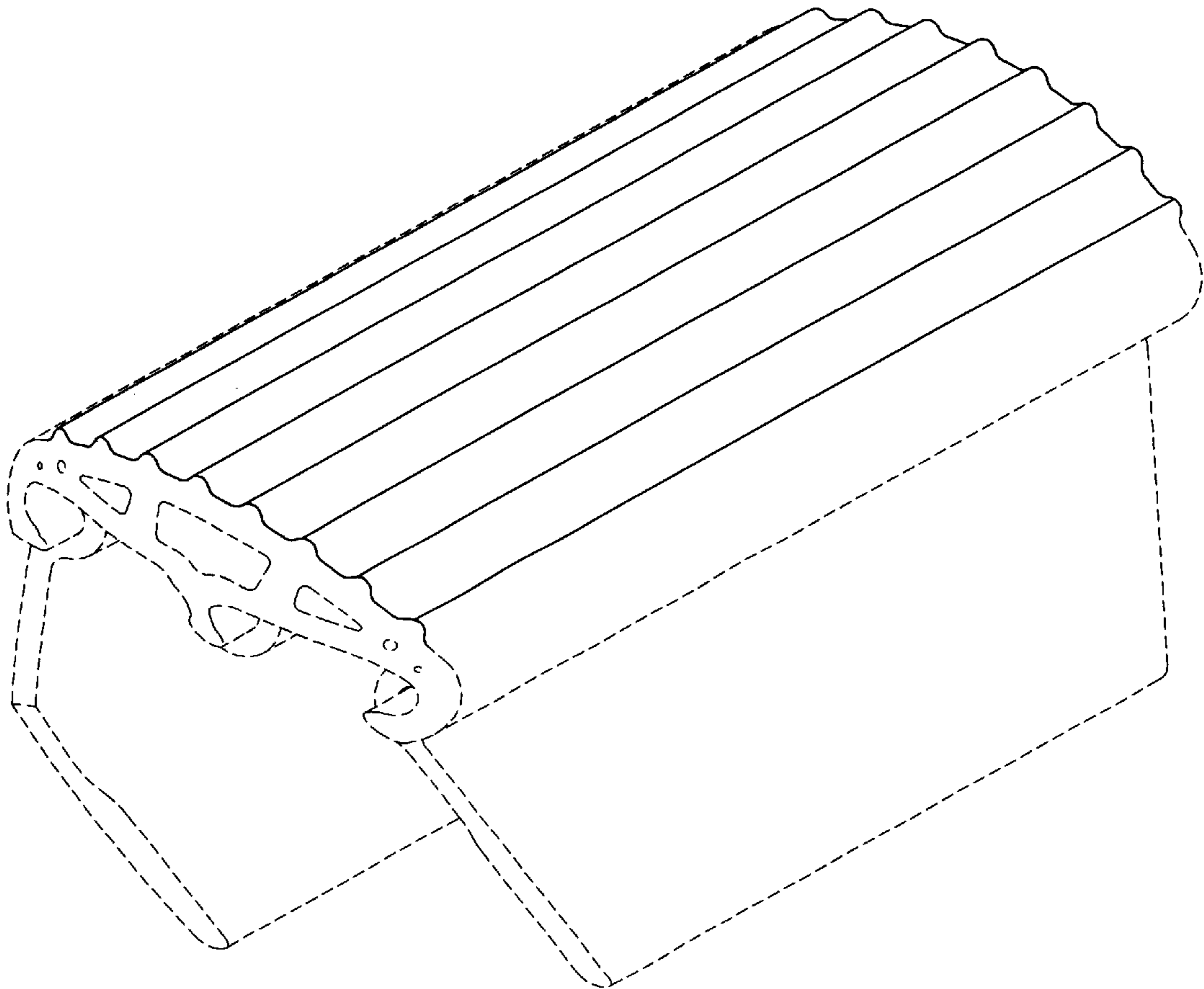
FIG. 6 is a front elevational view thereof; and,

FIG. 7 is a rear elevational view thereof.

The broken lines are for illustrative purposes only and form no part of the claimed design.

Primary Examiner—Lisa Lichtenstein

1 Claim, 5 Drawing Sheets



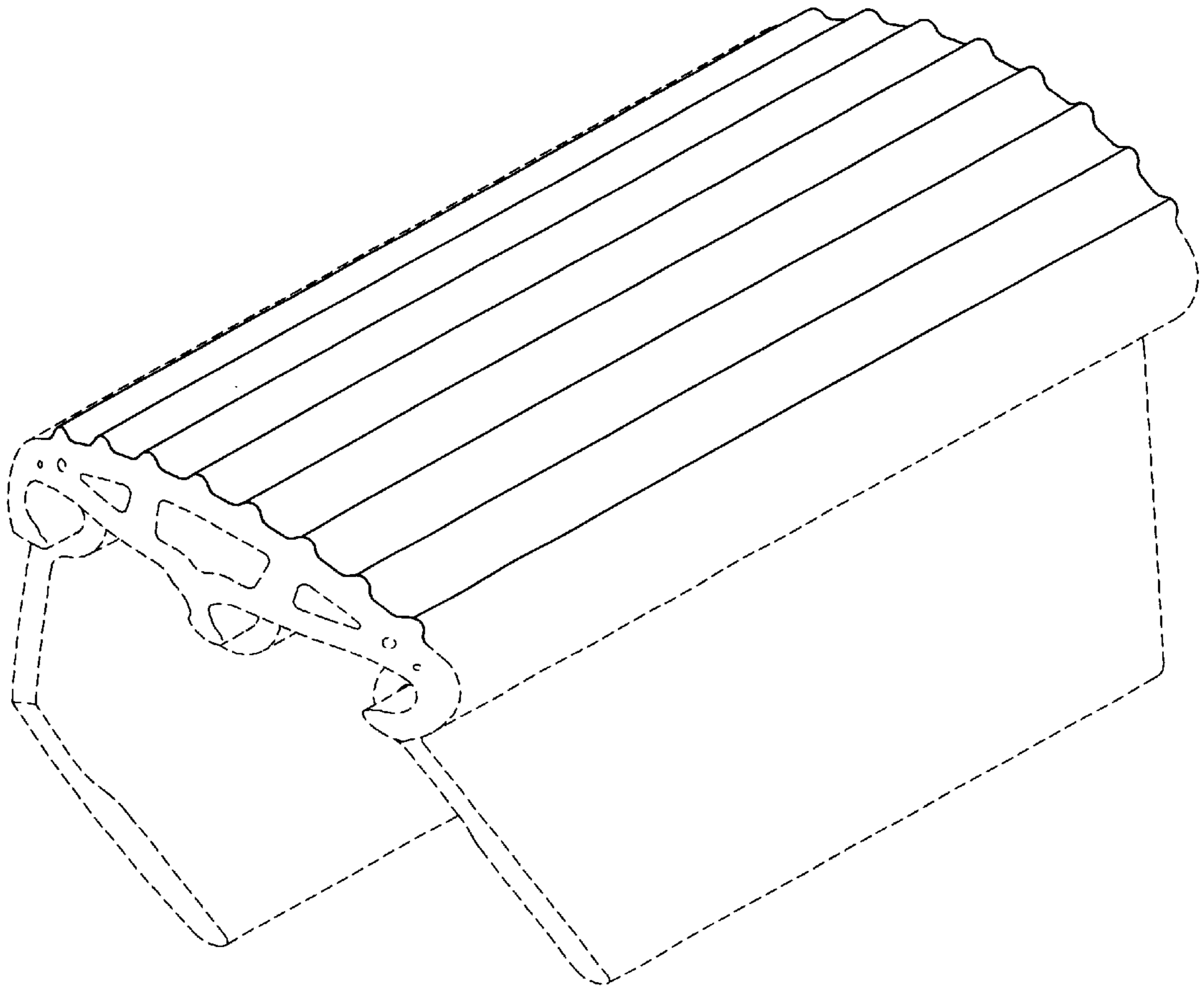


Fig. 1

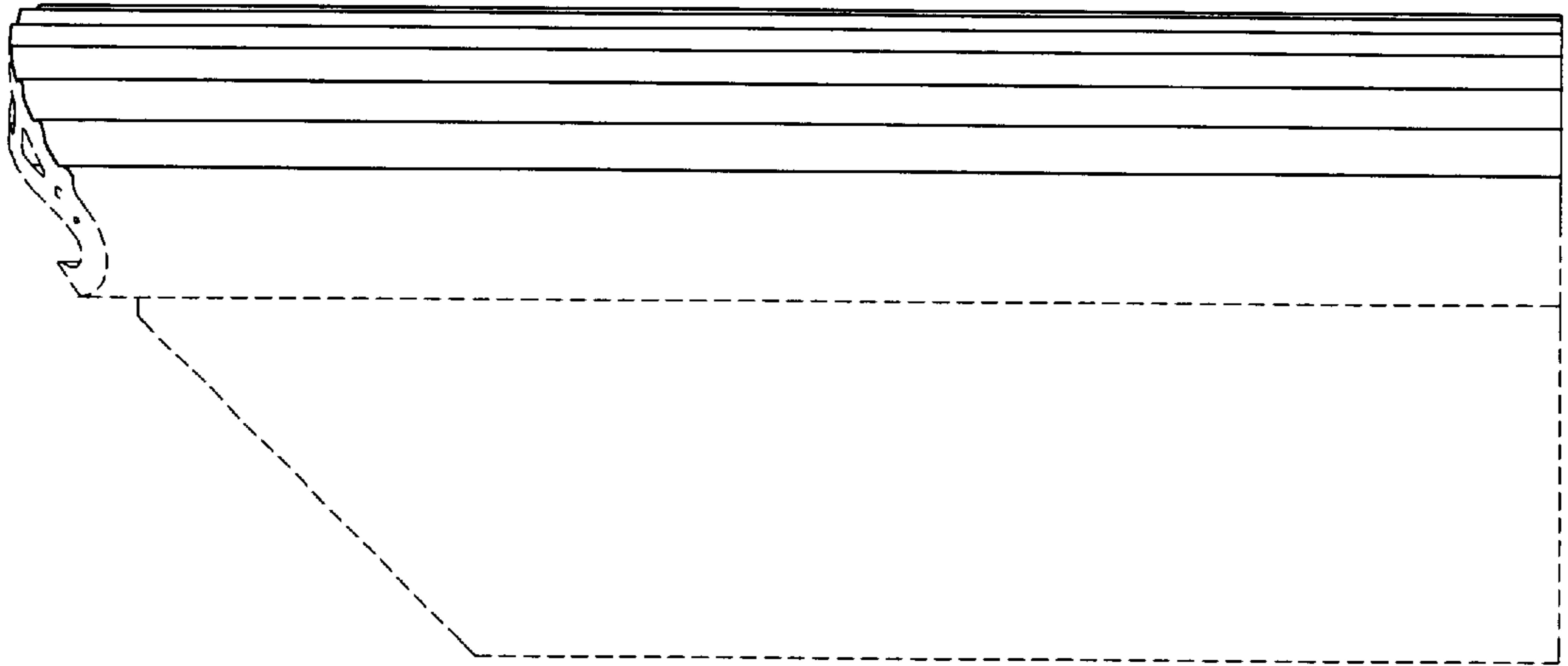


Fig. 2

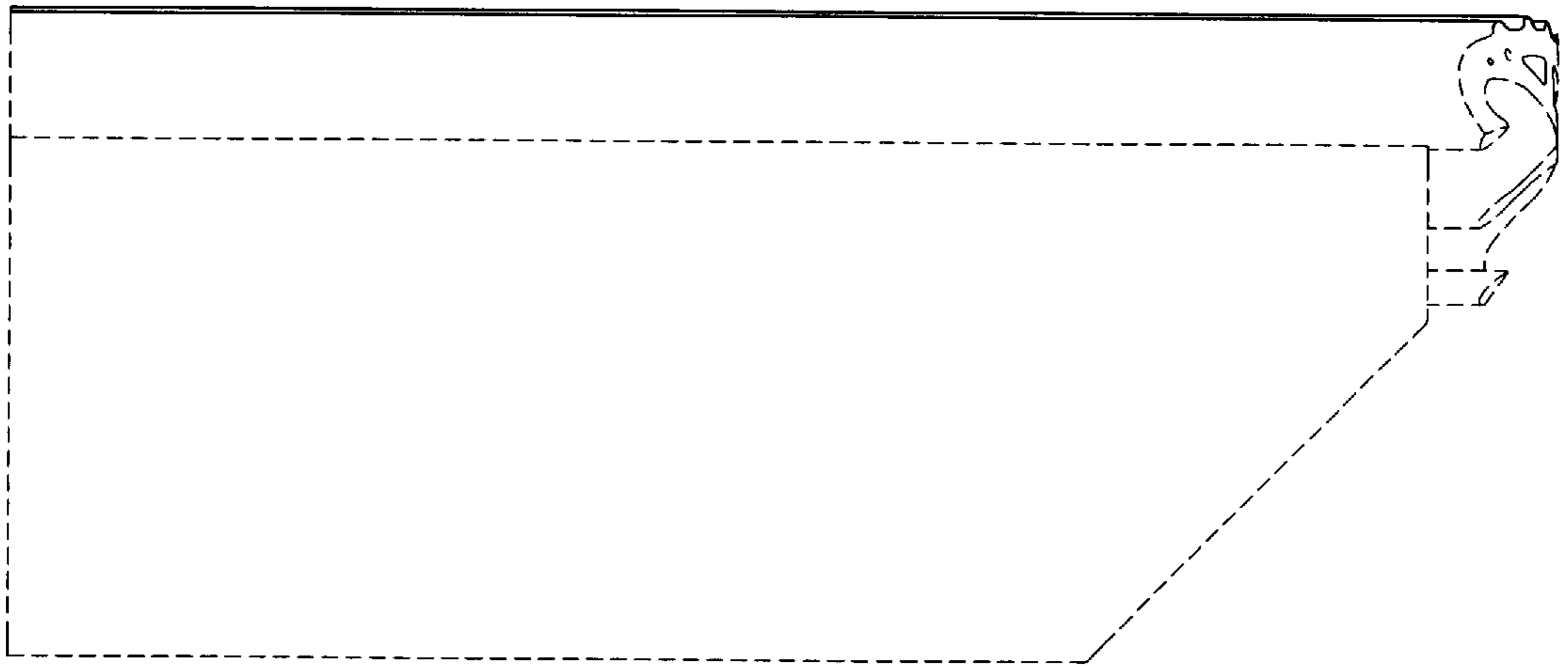


Fig. 3

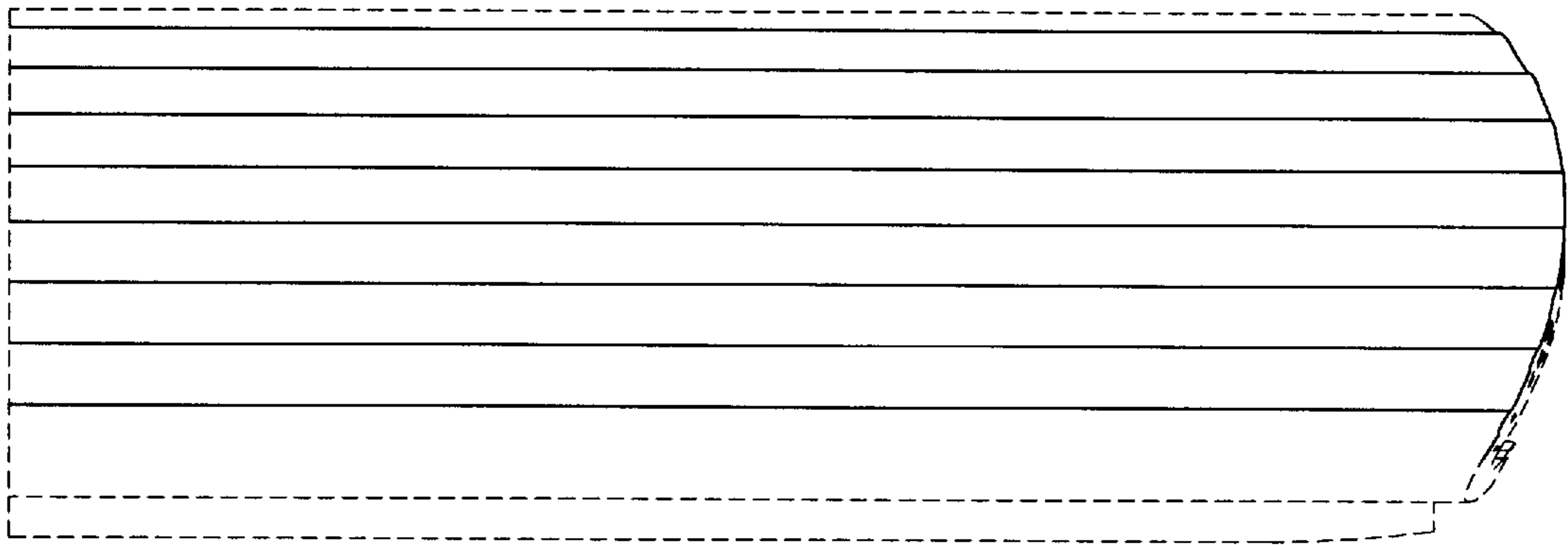


Fig. 4

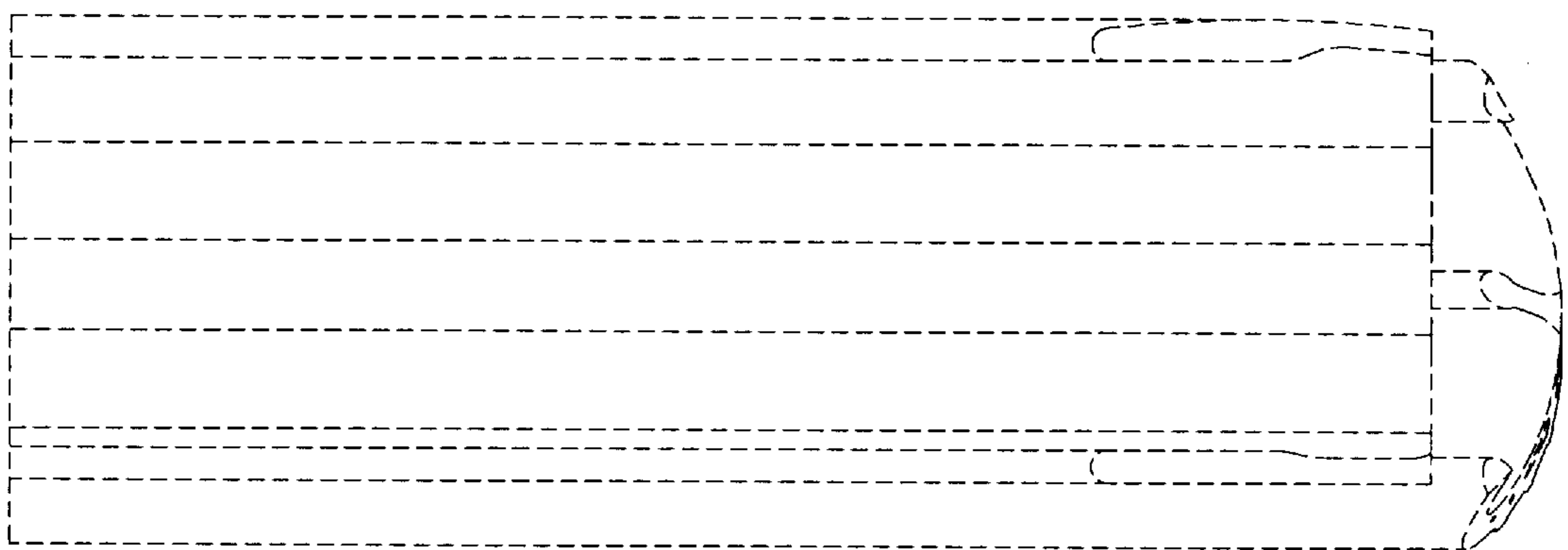


Fig. 5

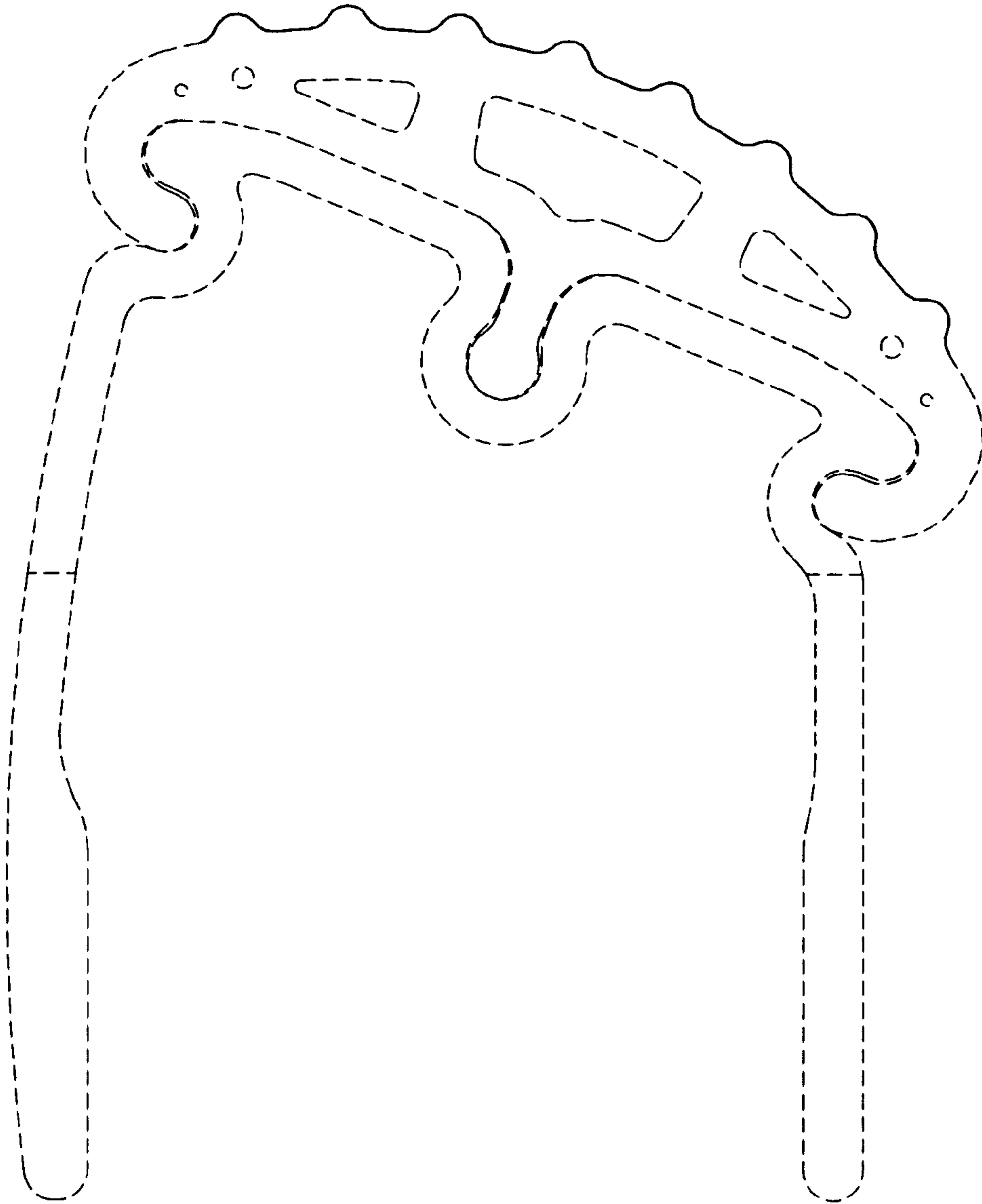


Fig. 6

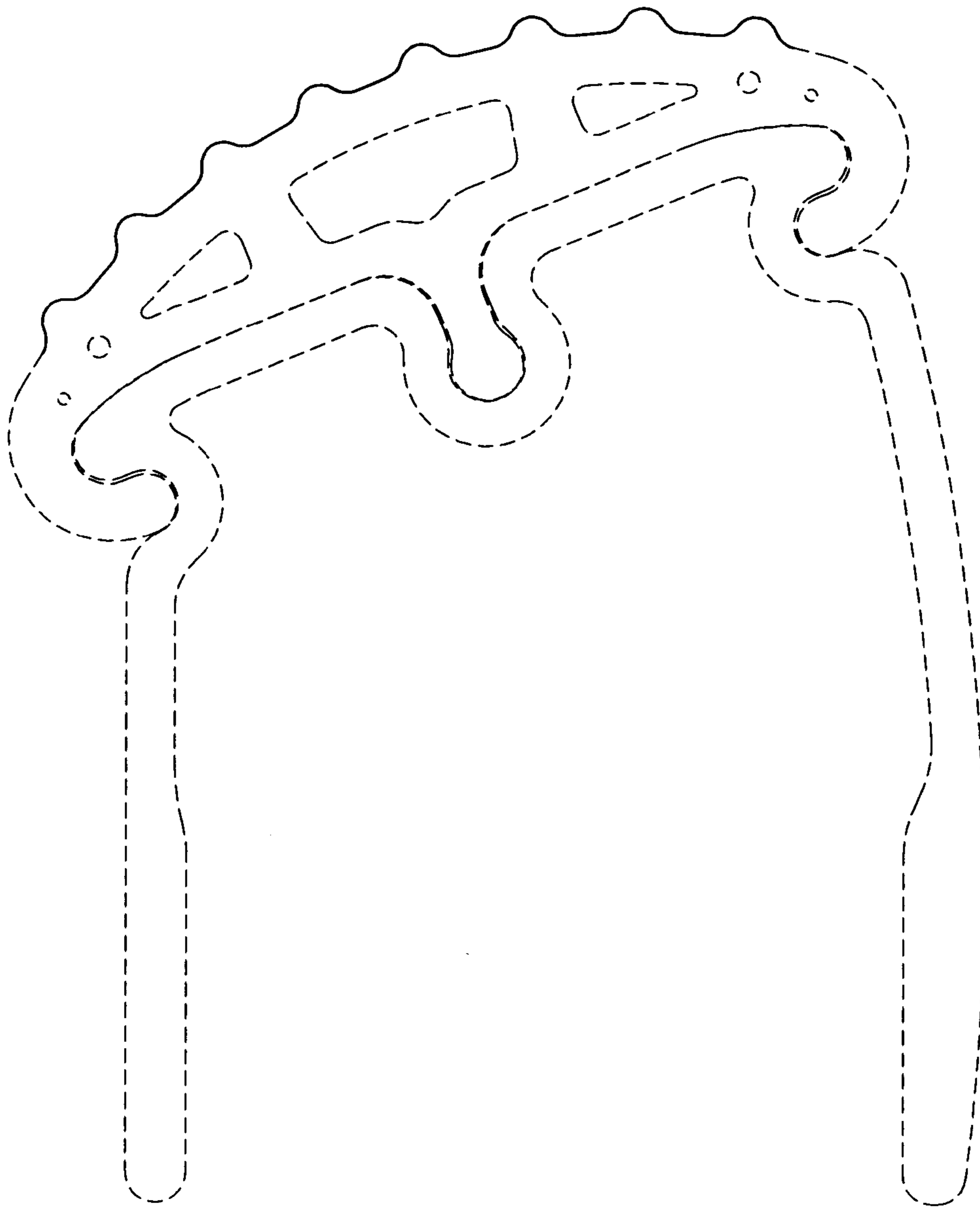


Fig. 7