



US00D484081S

(12) **United States Design Patent**  
**Day**

(10) **Patent No.:** **US D484,081 S**

(45) **Date of Patent:** **\*\* Dec. 23, 2003**

- (54) **DASHBOARD DISPLAY MOUNT**
- (75) Inventor: **Gregory E. Day**, Great Falls, VA (US)
- (73) Assignee: **Gauge Works, LLC**, Great Falls, VA (US)
- (\*\*) Term: **14 Years**
- (21) Appl. No.: **29/175,942**
- (22) Filed: **Feb. 13, 2003**
- (51) **LOC (7) Cl.** ..... **12-16**
- (52) **U.S. Cl.** ..... **D12/192**
- (58) **Field of Search** ..... D12/192, 114,  
D12/415; D10/103, 98, 49-51, 125; 280/750-752,  
DIG. 5, 770; 180/90; 296/70-72, 190-191,  
37.1, 37.8

- D461,437 S \* 8/2002 Hofmann et al. .... D12/192
- D467,845 S \* 12/2002 Pfeiffer et al. .... D12/192
- D471,141 S \* 3/2003 Hofmann et al. .... D12/192
- D473,832 S \* 4/2003 Tuzar ..... D12/192

\* cited by examiner

*Primary Examiner*—Stacia Cadmus  
(74) *Attorney, Agent, or Firm*—Williams Mullen, PC;  
Thomas F. Bergert

(57) **CLAIM**

The ornamental design for a dashboard display mount, as shown and described.

**DESCRIPTION**

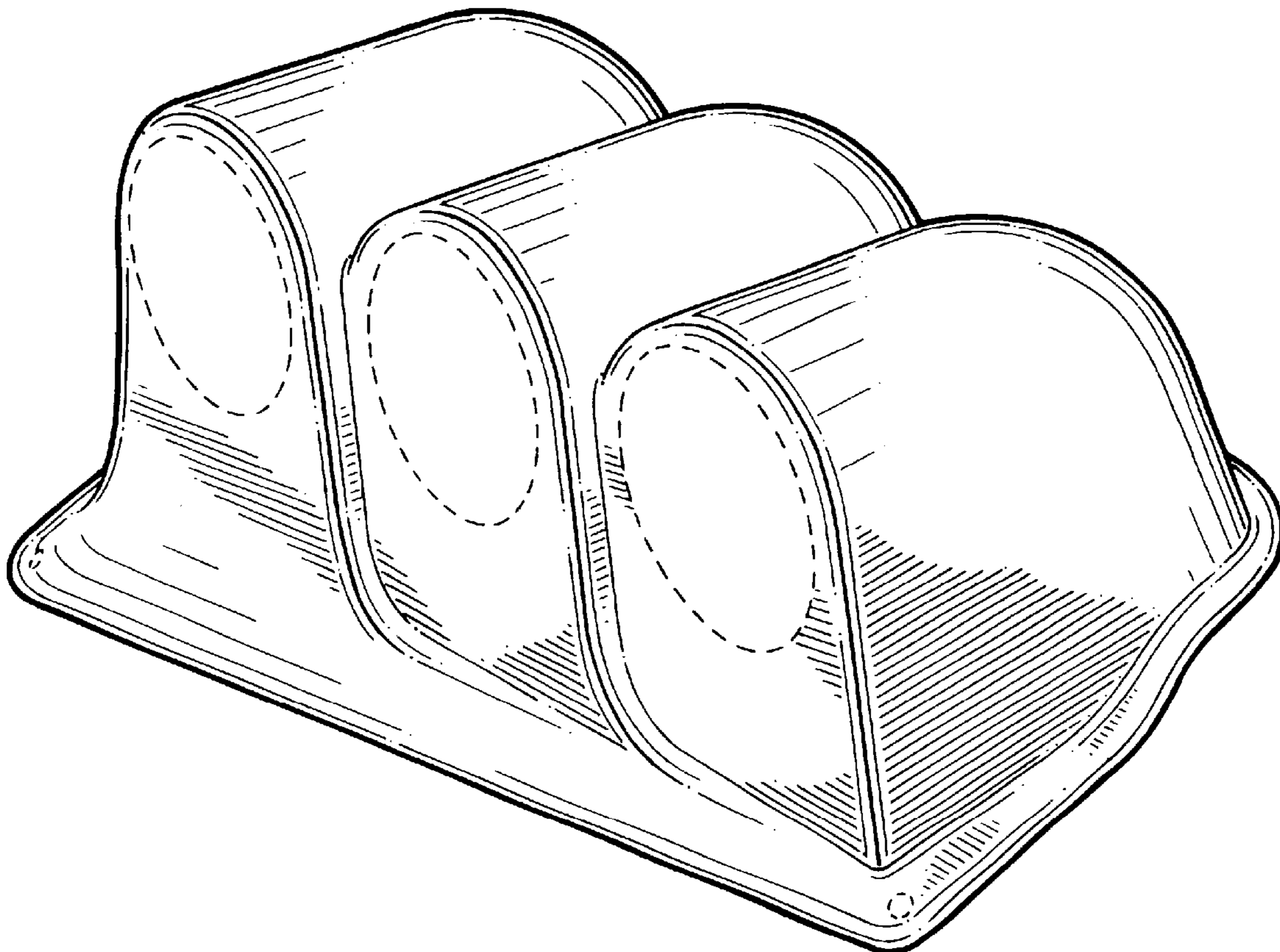
FIG. 1 is a top right front perspective view of a dashboard display mount showing my new design.  
FIG. 2 is a front elevational view thereof;  
FIG. 3 is a right side elevational view thereof;  
FIG. 4 is a left side elevational view thereof;  
FIG. 5 is a rear elevational view thereof; and,  
FIG. 6 is a top plan view.

The broken line showing of display gauges is for illustrative purposes only and forms no part of the claimed design.

(56) **References Cited**  
**U.S. PATENT DOCUMENTS**

- D195,783 S \* 7/1963 Woods, Jr. .... D12/192
- D375,477 S \* 11/1996 Kulla et al. .... D12/192
- D413,294 S \* 8/1999 Lagaay ..... D12/192
- D436,565 S \* 1/2001 Tsay et al. .... D12/192
- D440,925 S \* 4/2001 Pfeiffer ..... D12/192

**1 Claim, 5 Drawing Sheets**



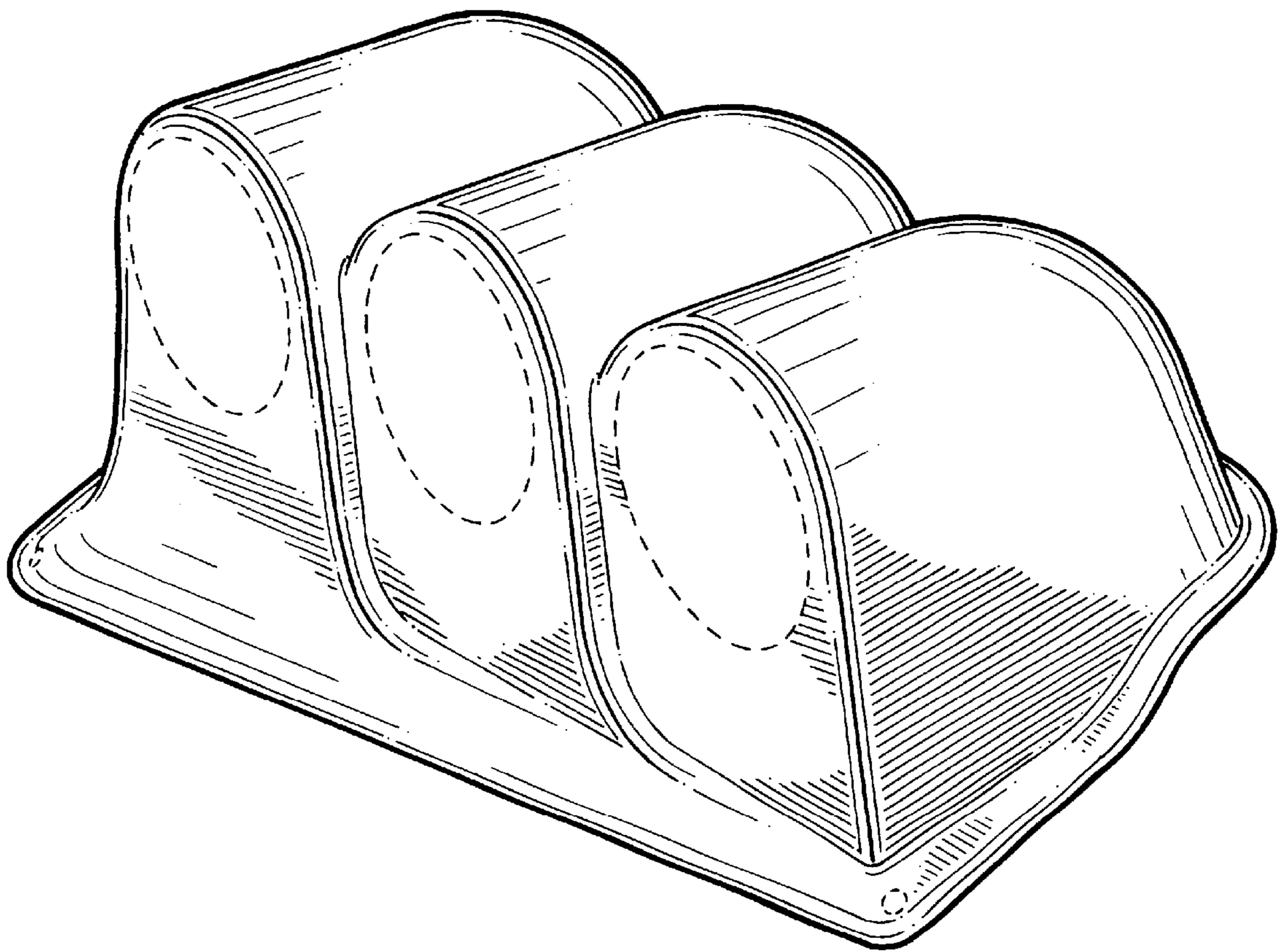


FIG. 1

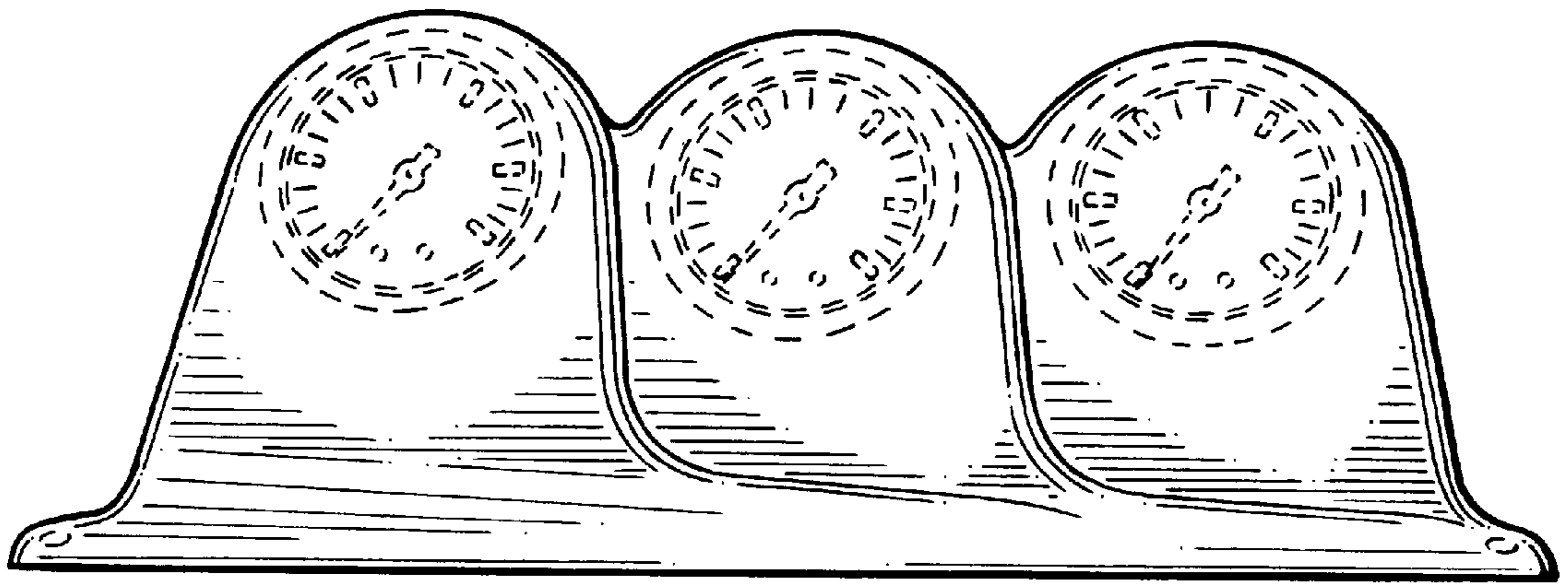


FIG.2

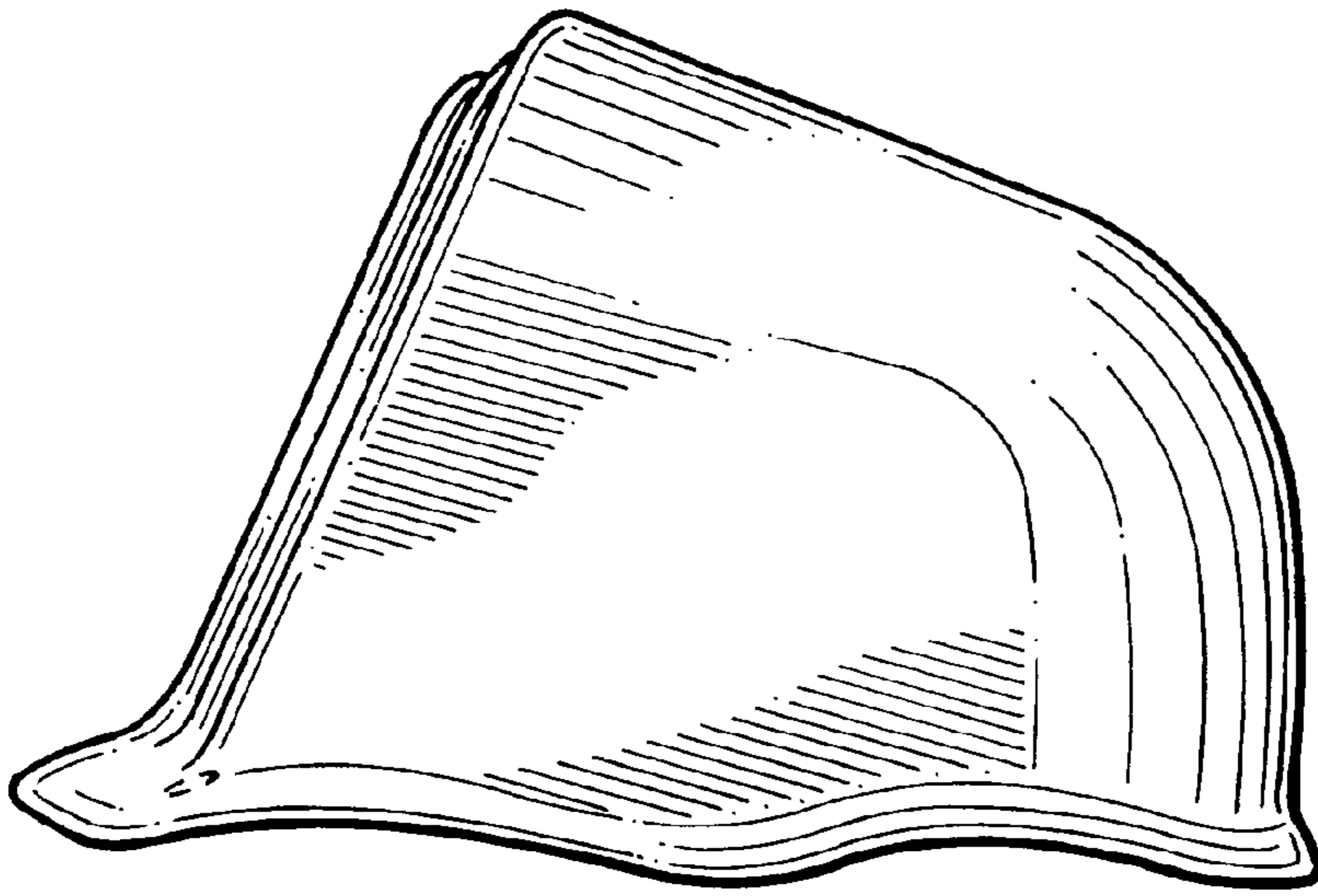


FIG. 3

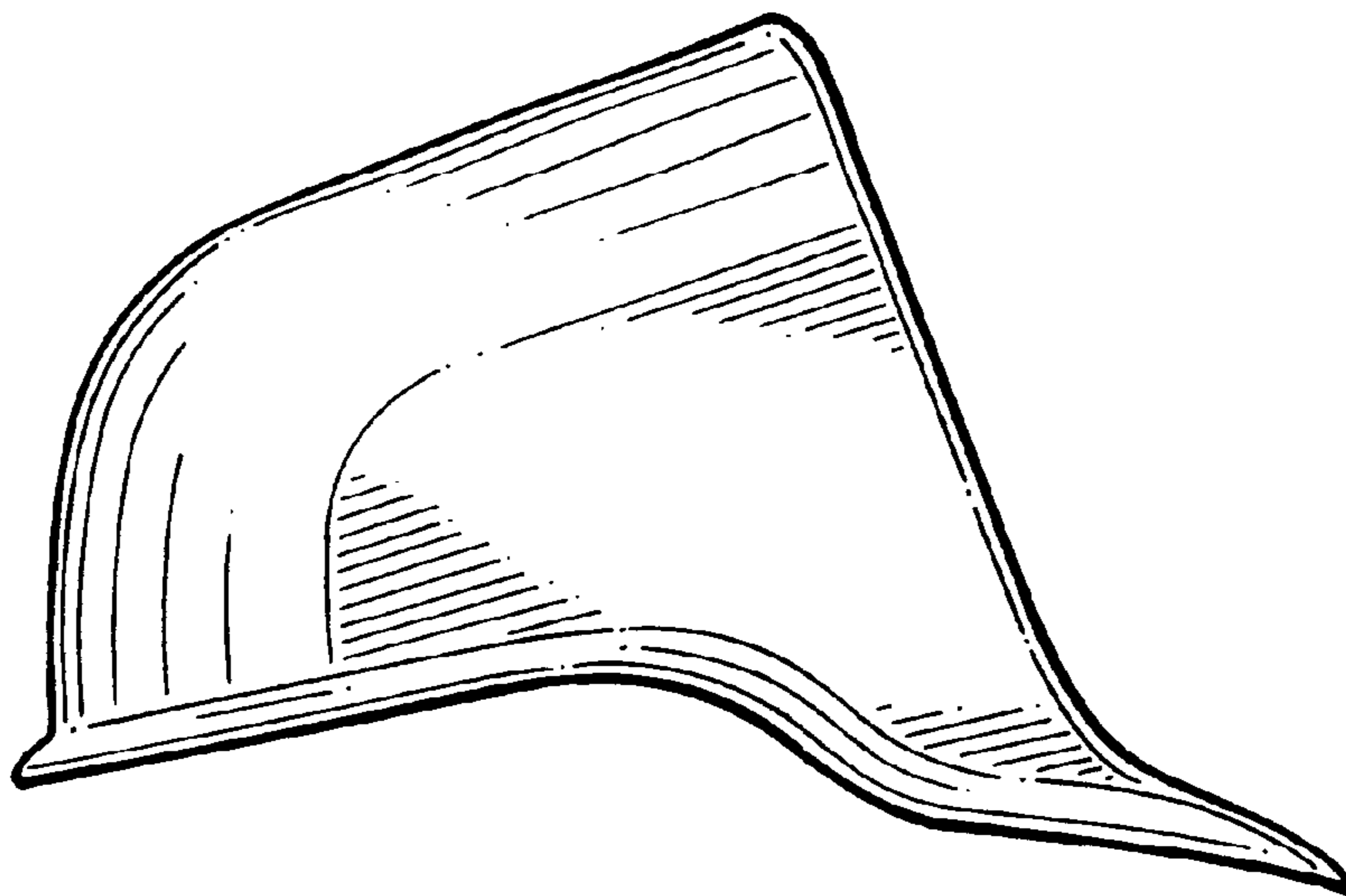


FIG. 4

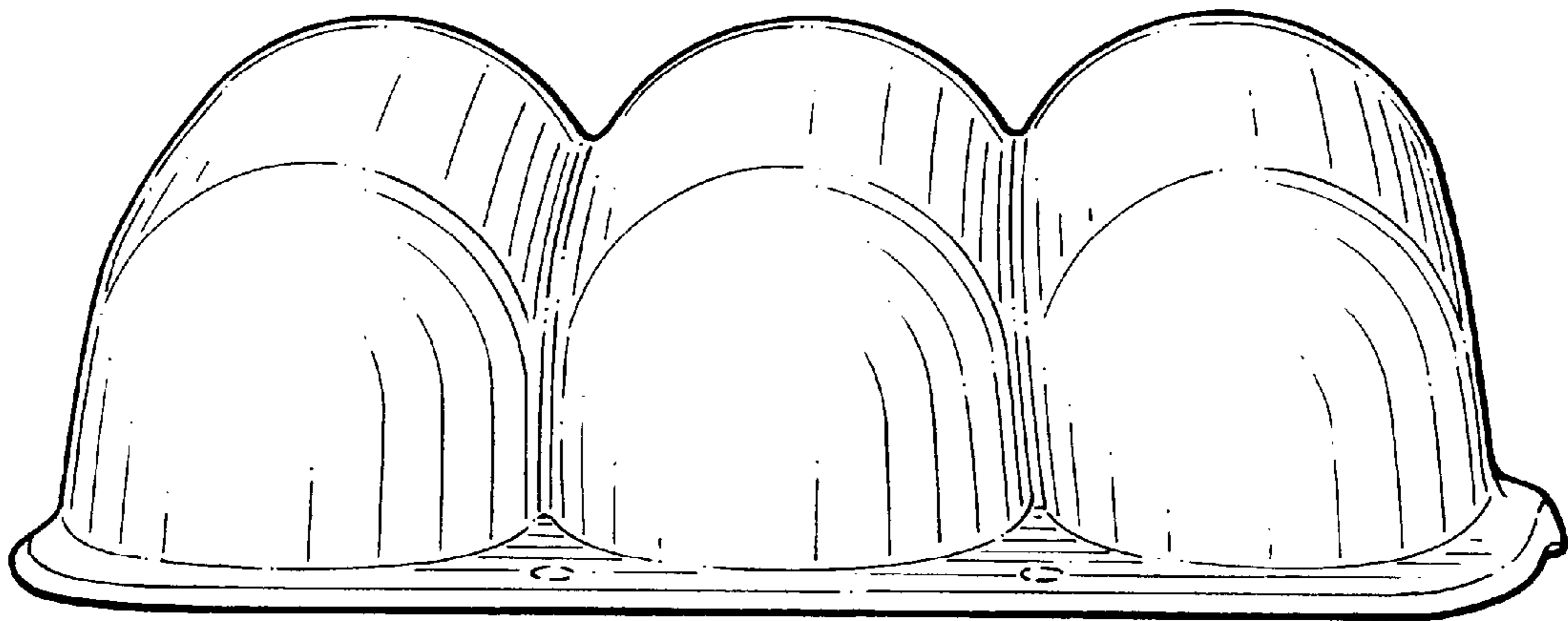


FIG.5

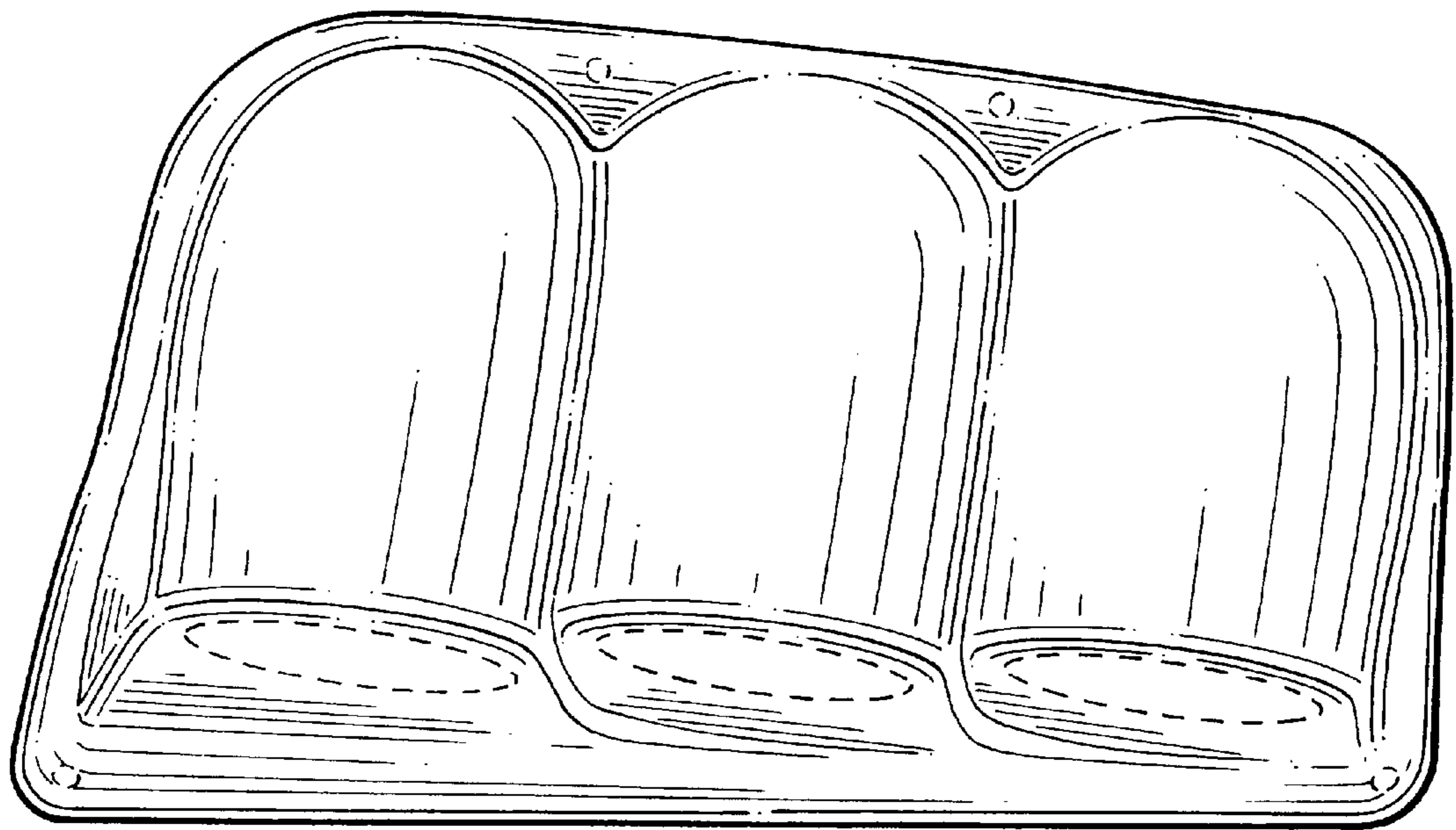


FIG.6