



US00D484077S

(12) **United States Design Patent**
Conway et al.

(10) **Patent No.:** **US D484,077 S**

(45) **Date of Patent:** **** Dec. 23, 2003**

- (54) **HOOD FOR SET BACK FRONT AXLE TRUCK**
- (75) Inventors: **Scott M. Conway**, Flower Mound, TX (US); **Louis D. Heilaneh**, Lewisville, TX (US)
- (73) Assignee: **PACCAR Inc**, Bellevue, WA (US)
- (**) Term: **14 Years**

D412,689 S	*	8/1999	Onopa	D12/173
D422,251 S	*	4/2000	Bader et al.	D12/173
D422,958 S		4/2000	Conway et al.	D12/173
D426,800 S	*	6/2000	Zimmerman	D12/173
D435,816 S		1/2001	Delashaw et al.	D12/173
D436,563 S		1/2001	Delashaw et al.	D12/173
D453,720 S		2/2002	Conway	D12/185
D454,526 S		3/2002	Conway	D12/185
D454,820 S		3/2002	Conway	D12/185
D455,989 S		4/2002	Conway	D12/185

- (21) Appl. No.: **29/176,102**
- (22) Filed: **Feb. 18, 2003**

- (51) **LOC (7) Cl.** **12-16**
- (52) **U.S. Cl.** **D12/173**
- (58) **Field of Search** D12/173, 93, 96,
D12/97; 296/180.1, 180.2, 190; 180/89.14,
89.16, 89.12, 69.1, 69.2

(56) **References Cited**

U.S. PATENT DOCUMENTS

D366,638 S	1/1996	Tucker et al.	D12/173
D382,841 S	8/1997	Norwood et al.	D12/173
D389,108 S	1/1998	Norwood et al.	D12/163
D393,436 S	* 4/1998	Williams	D12/173
D395,860 S	7/1998	Meryman et al.	D12/173
D401,198 S	* 11/1998	Mueller et al.	D12/173
D403,636 S	1/1999	Meryman et al.	D12/173
D403,637 S	* 1/1999	Abalos et al.	D12/173
D411,494 S	6/1999	Meryman et al.	D12/173

OTHER PUBLICATIONS

“SBFA Competitive Overview”, Report, Jan. 25, 2002.

* cited by examiner

Primary Examiner—Melody N. Brown

(74) *Attorney, Agent, or Firm*—Sidley Austin Brown & Wood LLP

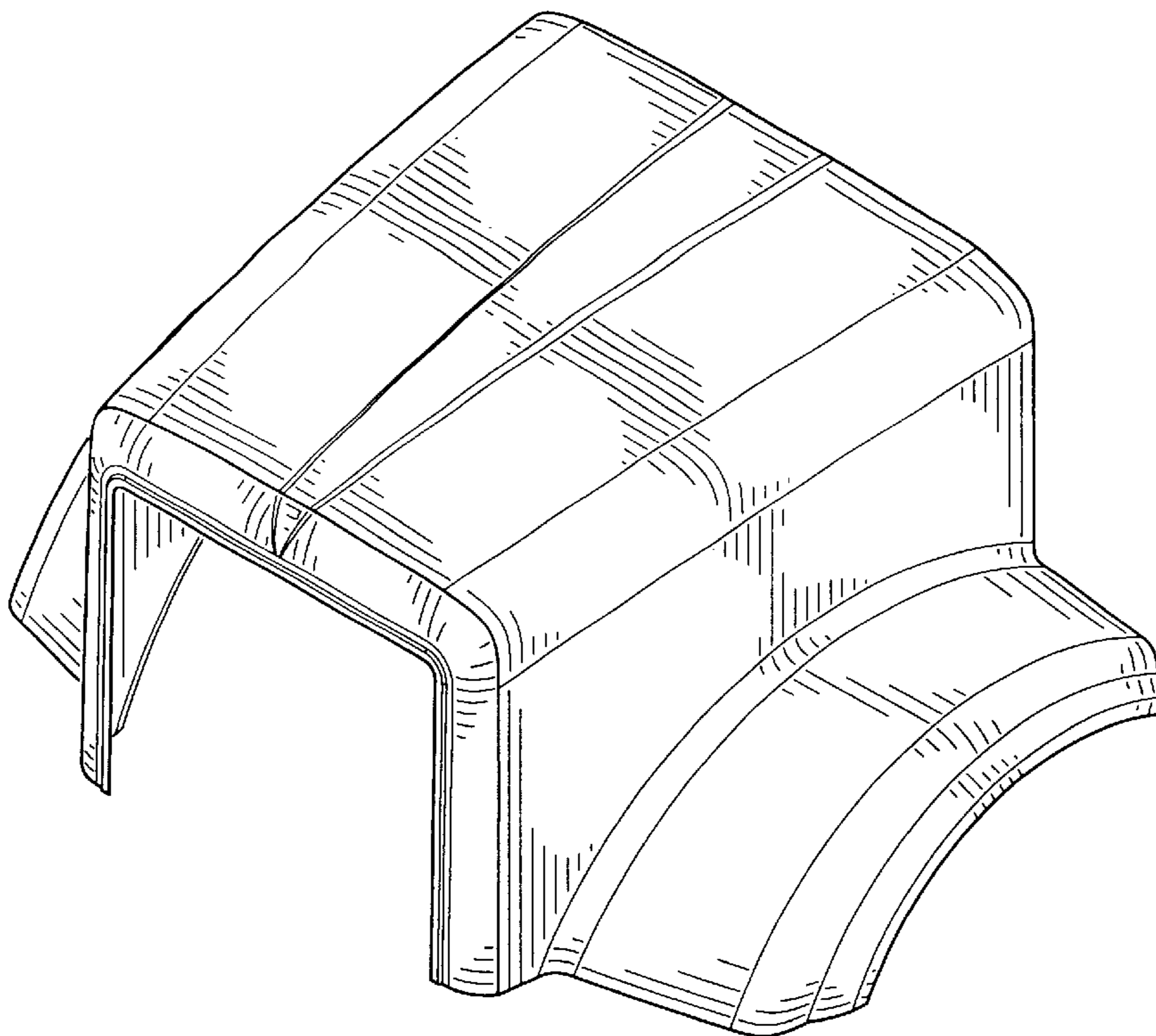
(57) **CLAIM**

The ornamental design for a hood for set back front axle truck, as shown and described.

DESCRIPTION

FIG. 1 is a perspective view of a hood for set back front axle truck showing our new design;
FIG. 2 is a top view thereof;
FIG. 3 is a front view thereof; and,
FIG. 4 is a side view thereof, the opposite side view being a mirror image of that shown.

1 Claim, 2 Drawing Sheets



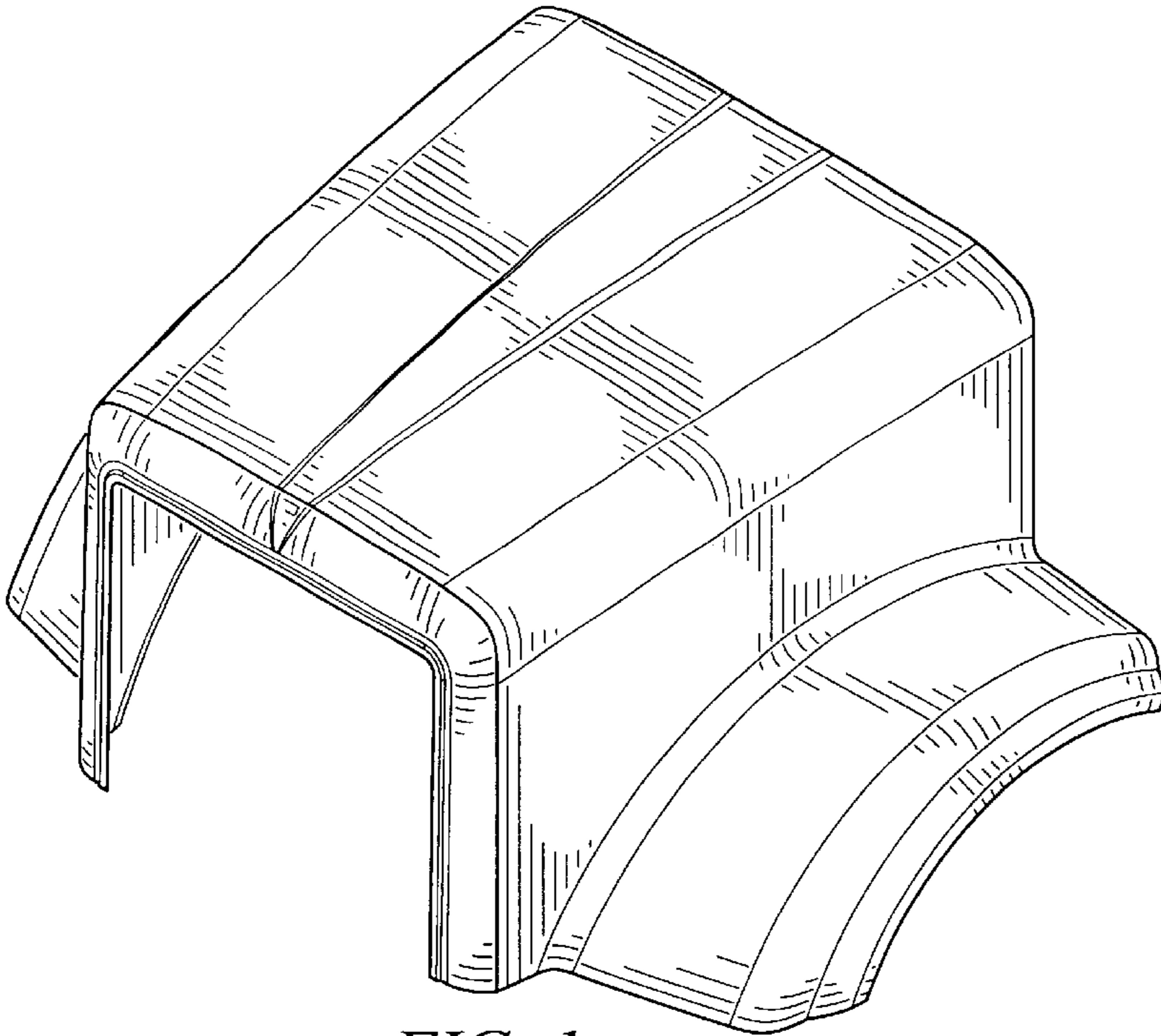


FIG. 1

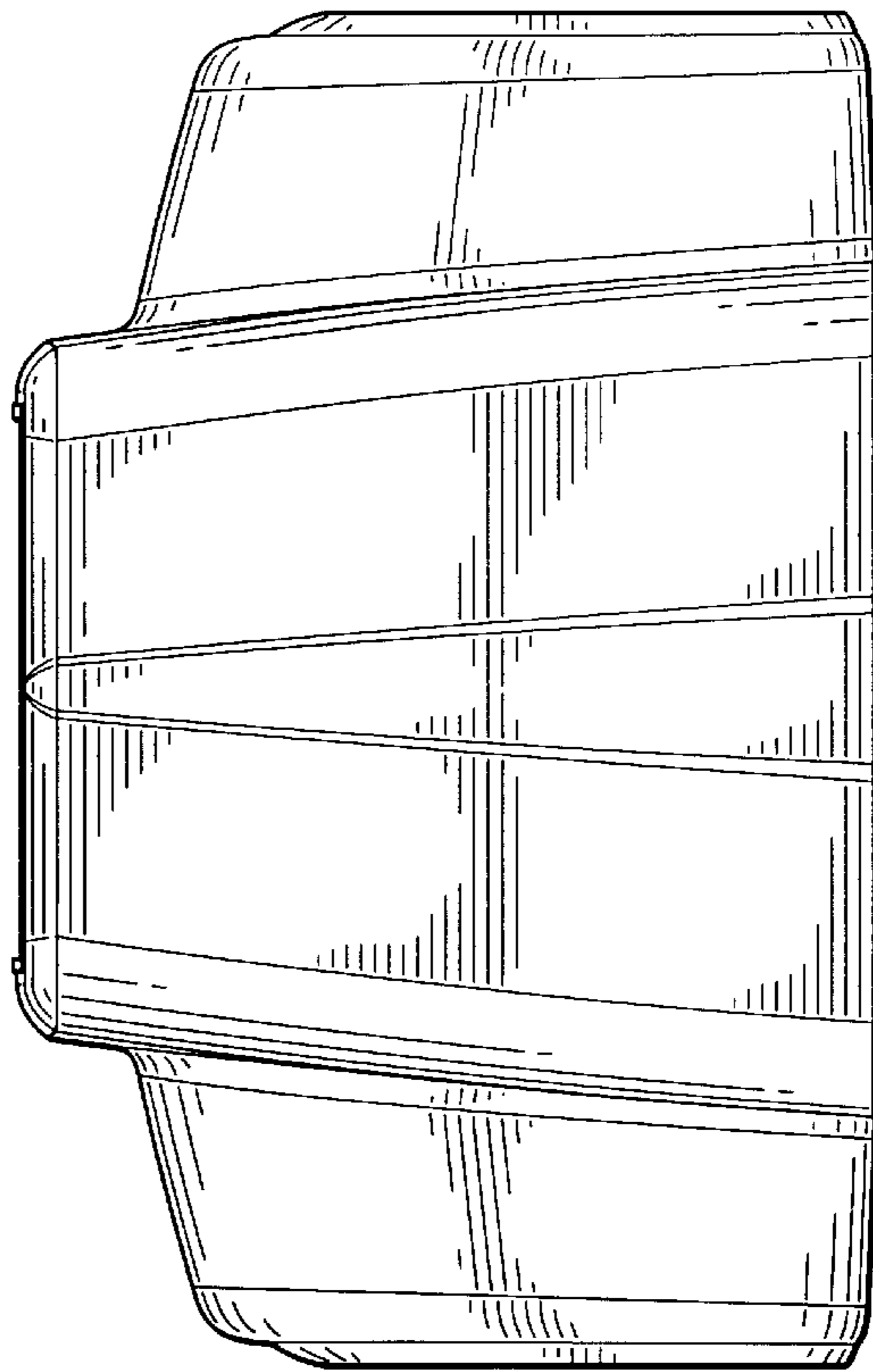


FIG. 2

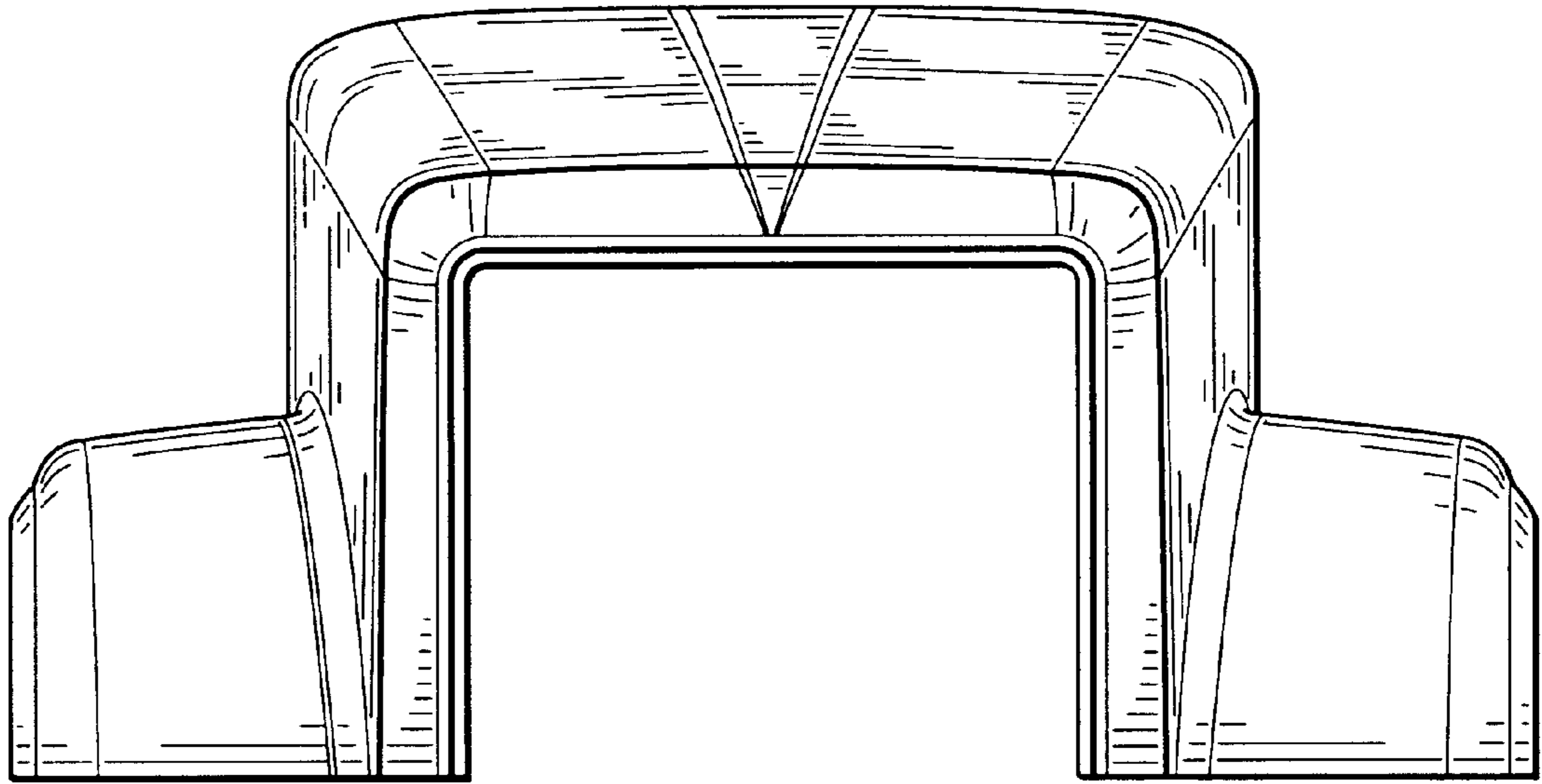


FIG. 3

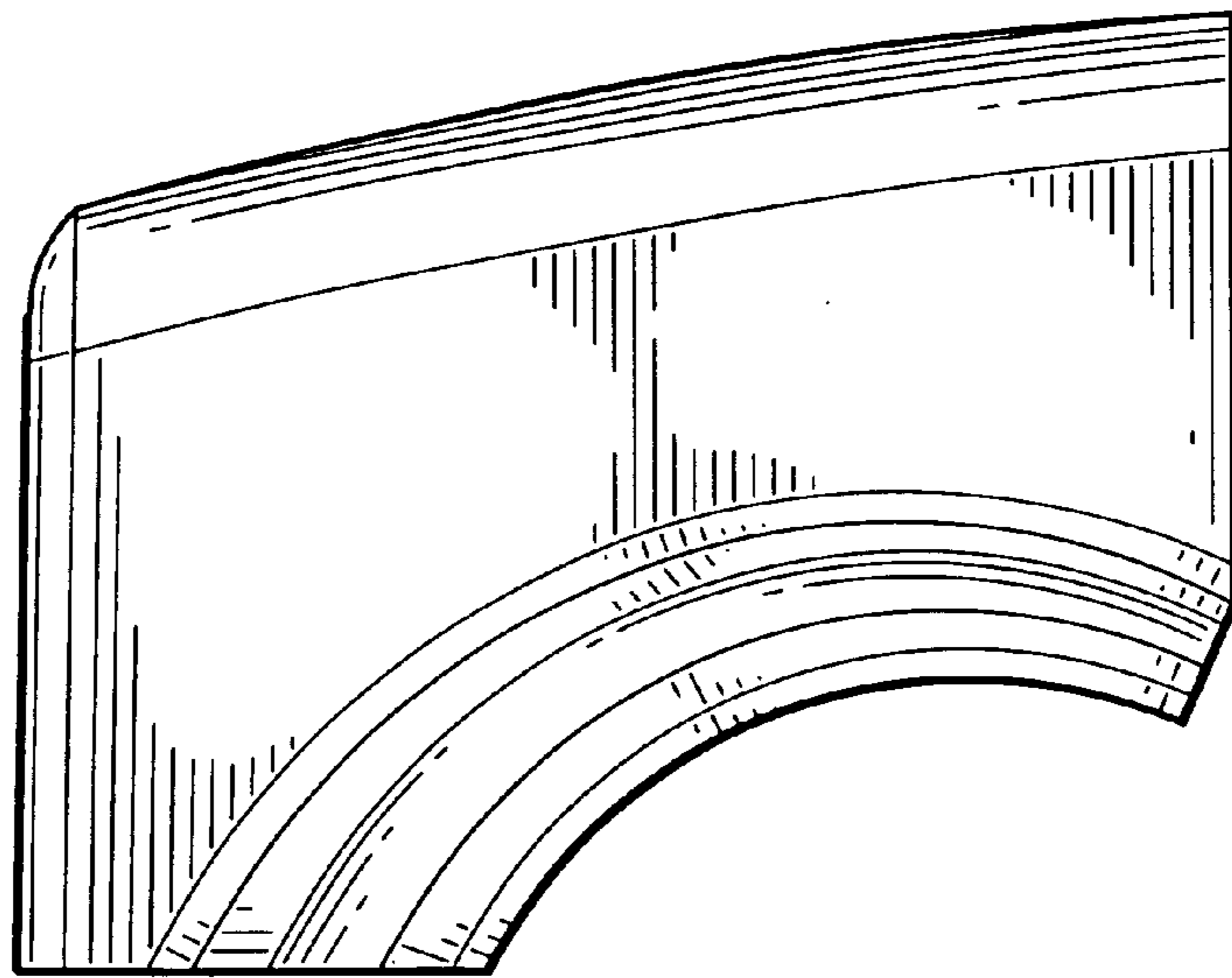


FIG. 4