



US00D484073S

(12) **United States Design Patent**  
**Heinemann et al.**

(10) **Patent No.:** **US D484,073 S**

(45) **Date of Patent:** **\*\* Dec. 23, 2003**

(54) **TRICYCLE**

D277,947 S \* 3/1985 Blumenthal ..... D12/112  
D411,971 S \* 7/1999 McMahon et al. .... D12/112

(75) Inventors: **Gregor Heinemann**, Cerritos, CA (US);  
**Robert Hadley**, Yorba Linda, CA (US);  
**Robert Chen**, Chang Hua Hsien (TW);  
**Erich Chang**, Taichung (TW)

\* cited by examiner

*Primary Examiner*—Alan P. Douglas  
*Assistant Examiner*—Linda Brooks

(73) Assignee: **Razor USA LLC**, Cerritos, CA (US)

(74) *Attorney, Agent, or Firm*—Browdy and Neimark,  
P.L.L.C.

(\*\*) Term: **14 Years**

(57) **CLAIM**

(21) Appl. No.: **29/163,965**

The ornamental design for a tricycle, as shown.

(22) Filed: **Jul. 17, 2002**

**DESCRIPTION**

(51) **LOC (7) Cl.** ..... **12-11**

(52) **U.S. Cl.** ..... **D12/112**

(58) **Field of Search** ..... D12/110–113,  
D12/117, 118; 280/259, 275–280, 281.1,  
282, 288.1–288.3, 287; 180/219

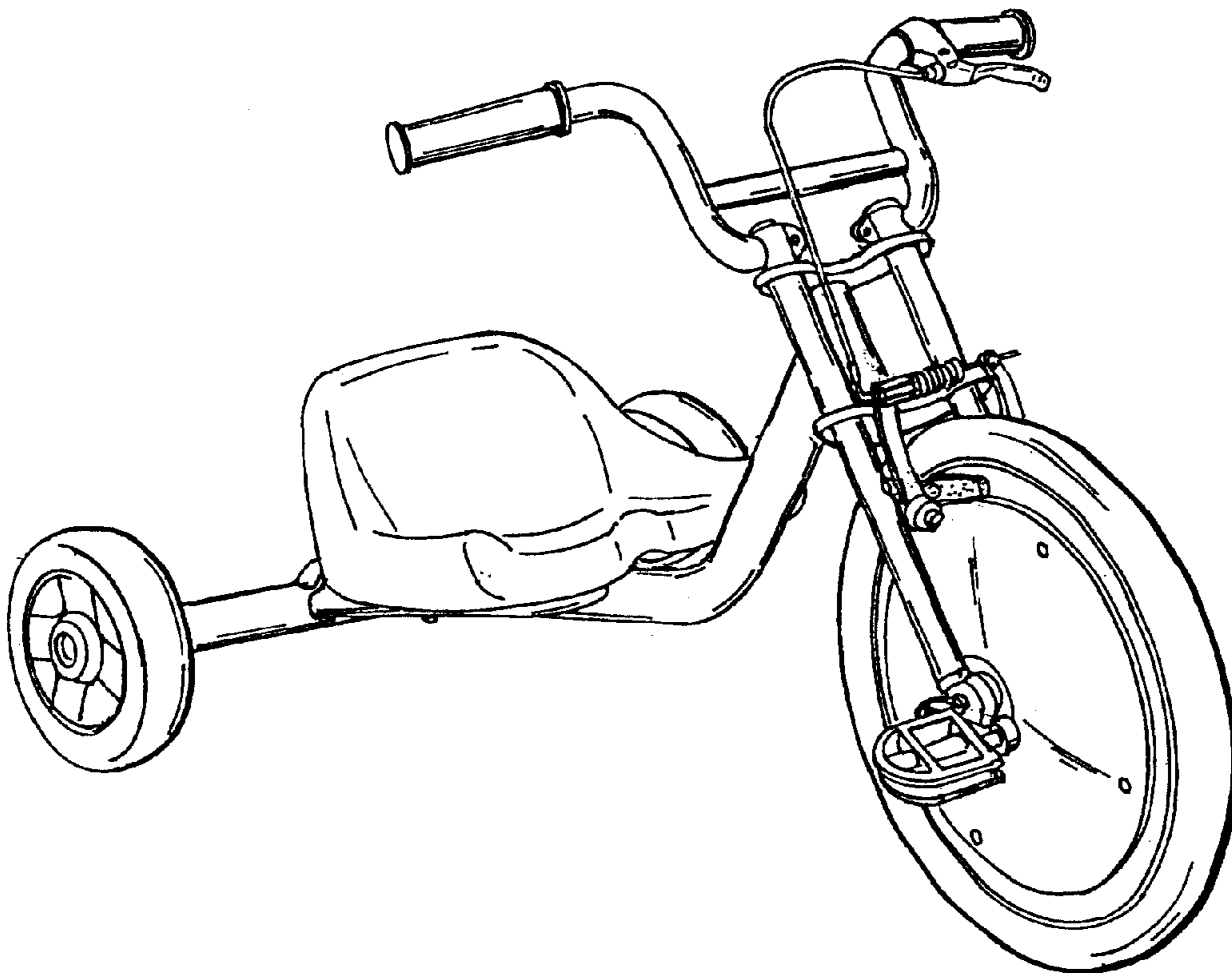
FIG. 1 shows a perspective view of the present design.  
FIG. 2 shows a front elevational view of the present design.  
FIG. 3 shows a top plan view of the present design.  
FIG. 4 shows a right elevational view of the present design.  
FIG. 5 shows a bottom plan view of the present design.  
FIG. 6 shows a rear elevational view of the present design;  
and,  
FIG. 7 shows a left elevational view of the present design.

(56) **References Cited**

**U.S. PATENT DOCUMENTS**

4,168,846 A \* 9/1979 Carren ..... 280/278

**1 Claim, 4 Drawing Sheets**



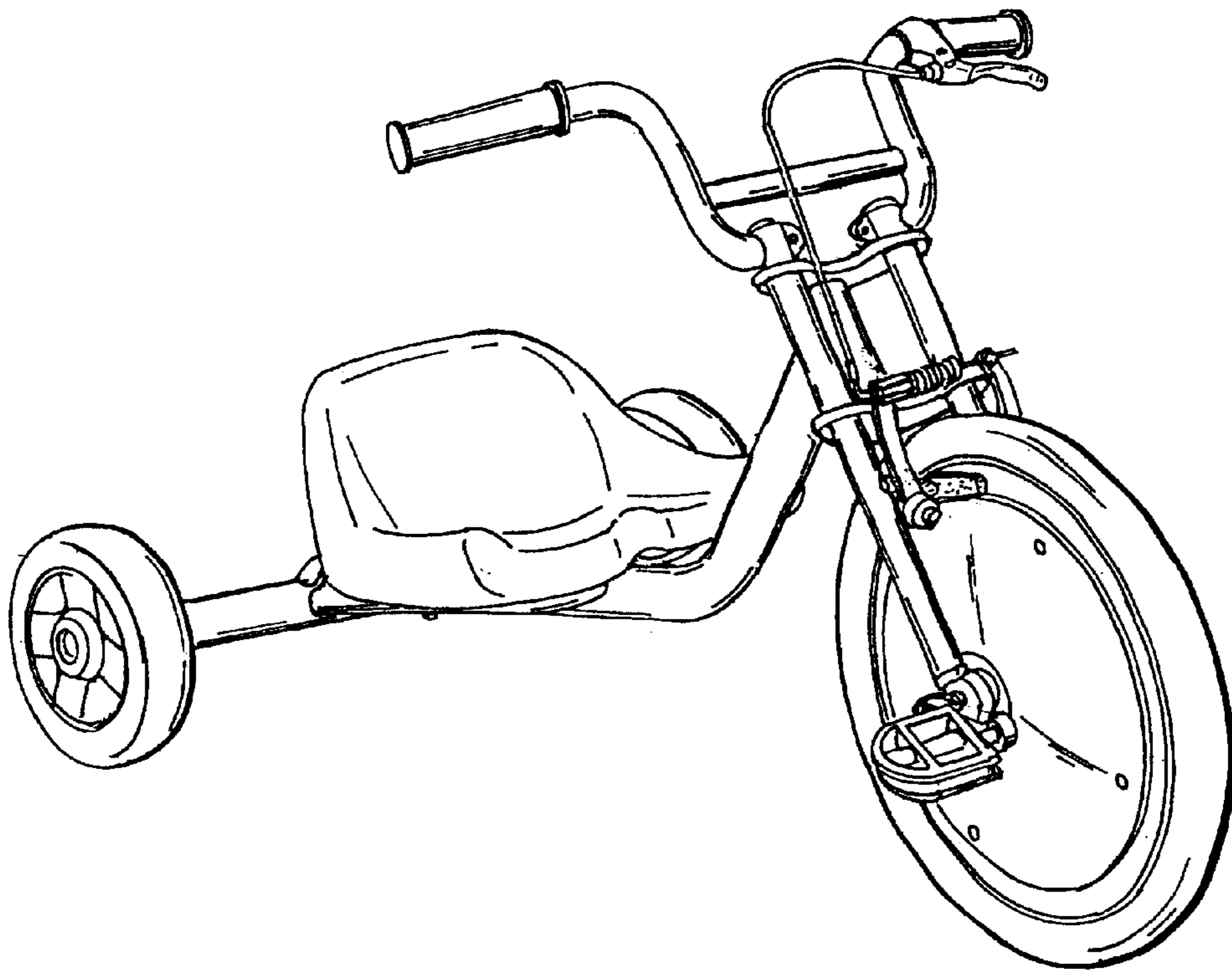


FIG. 1

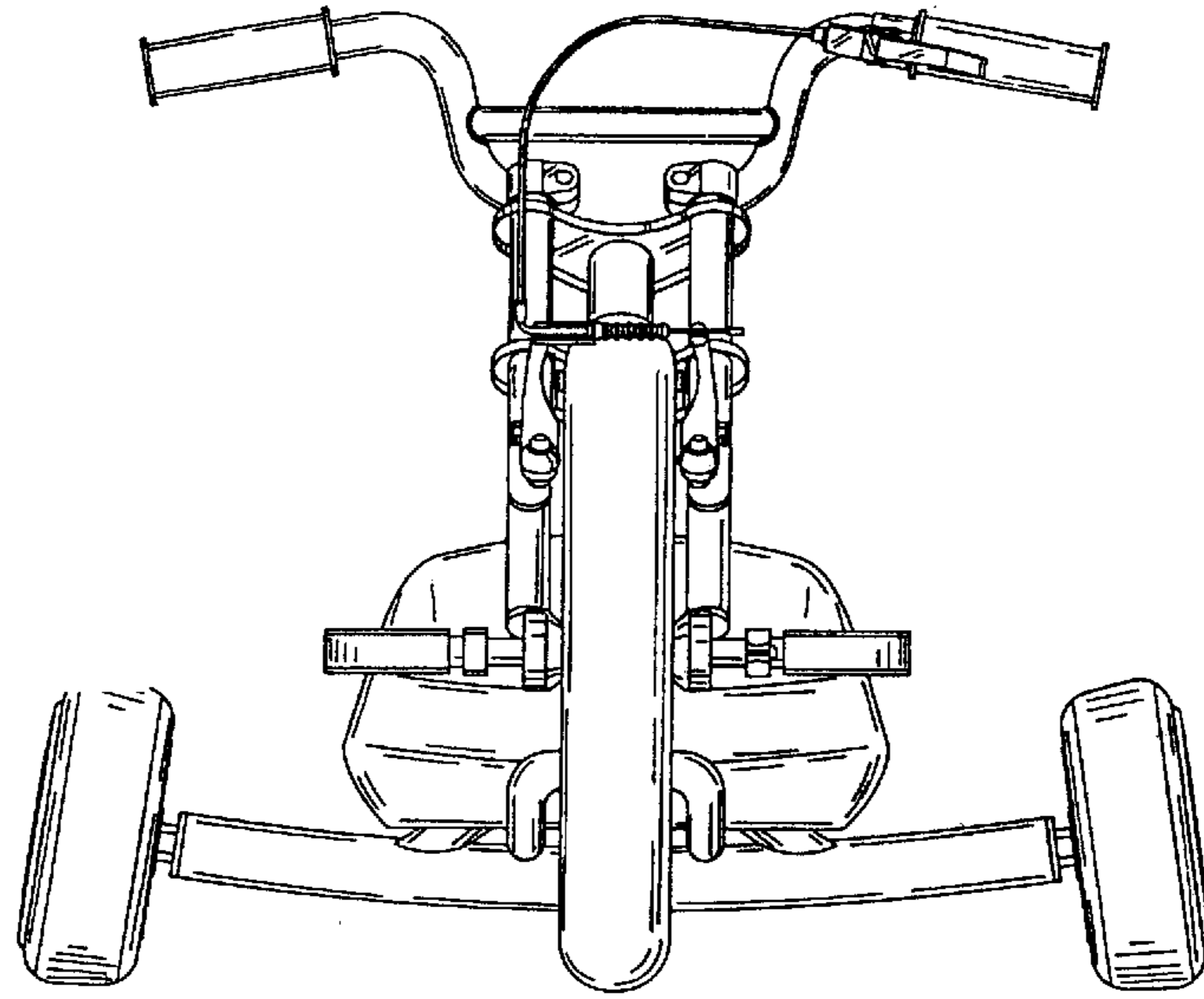


FIG. 2

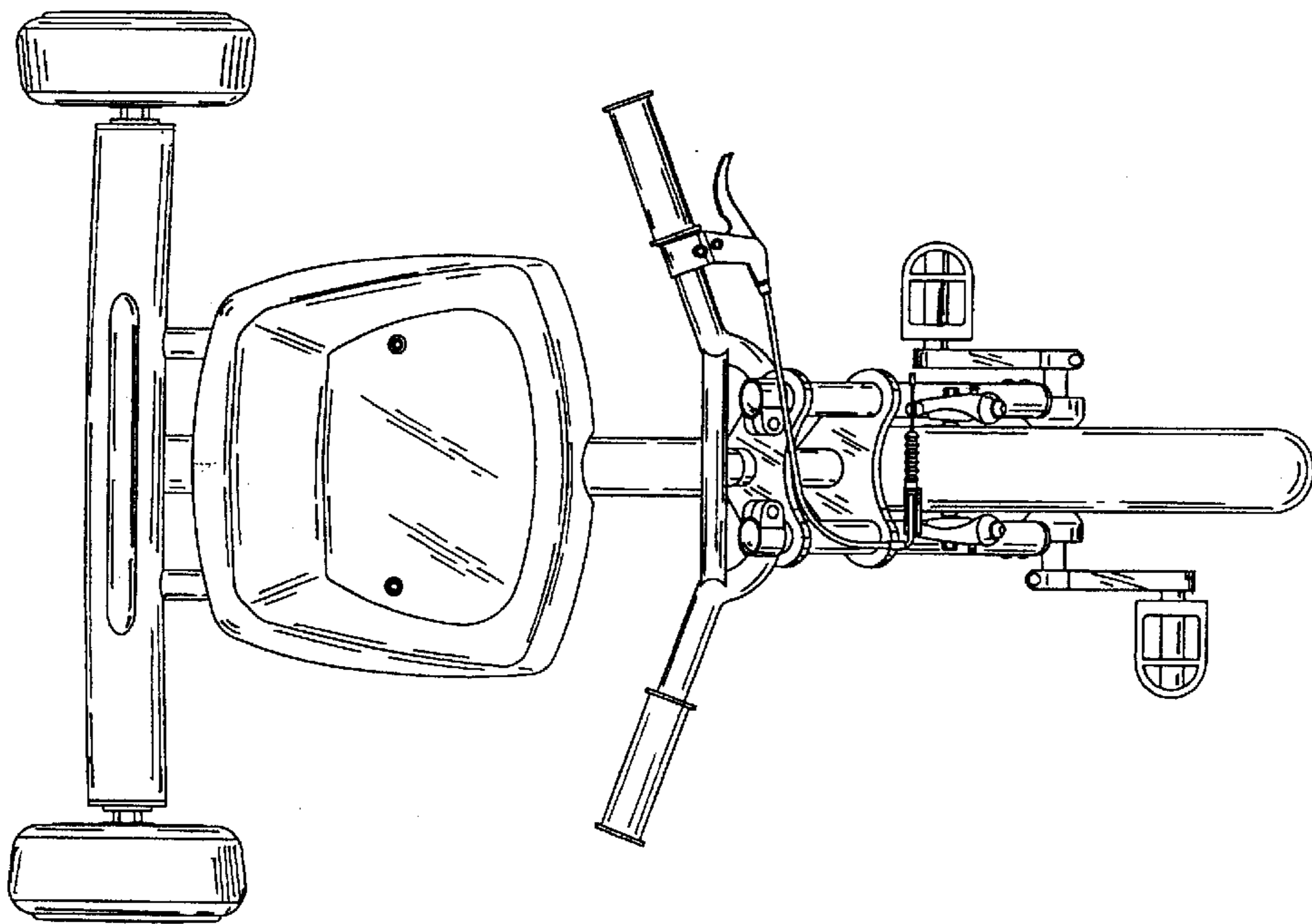


FIG. 3

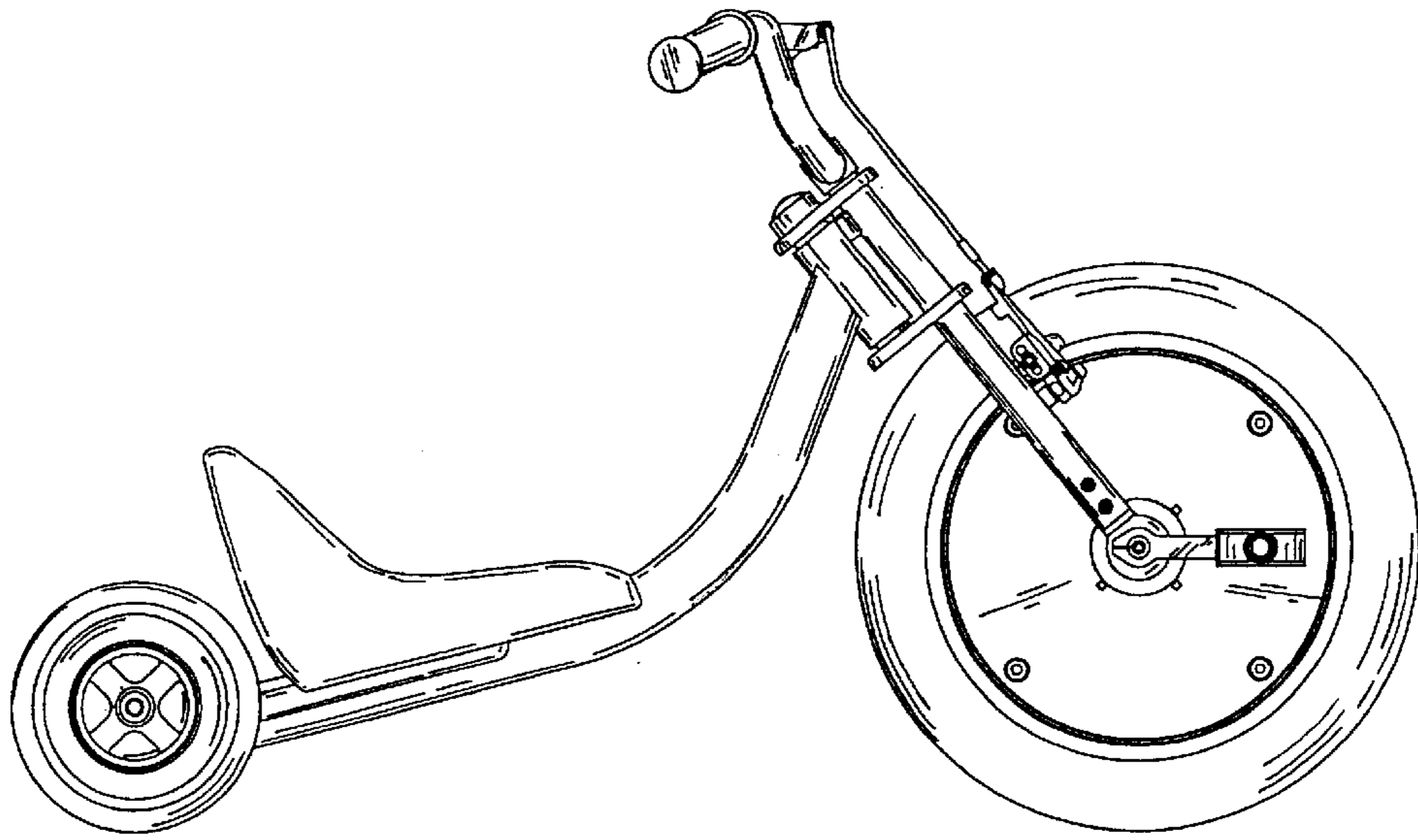


FIG. 4

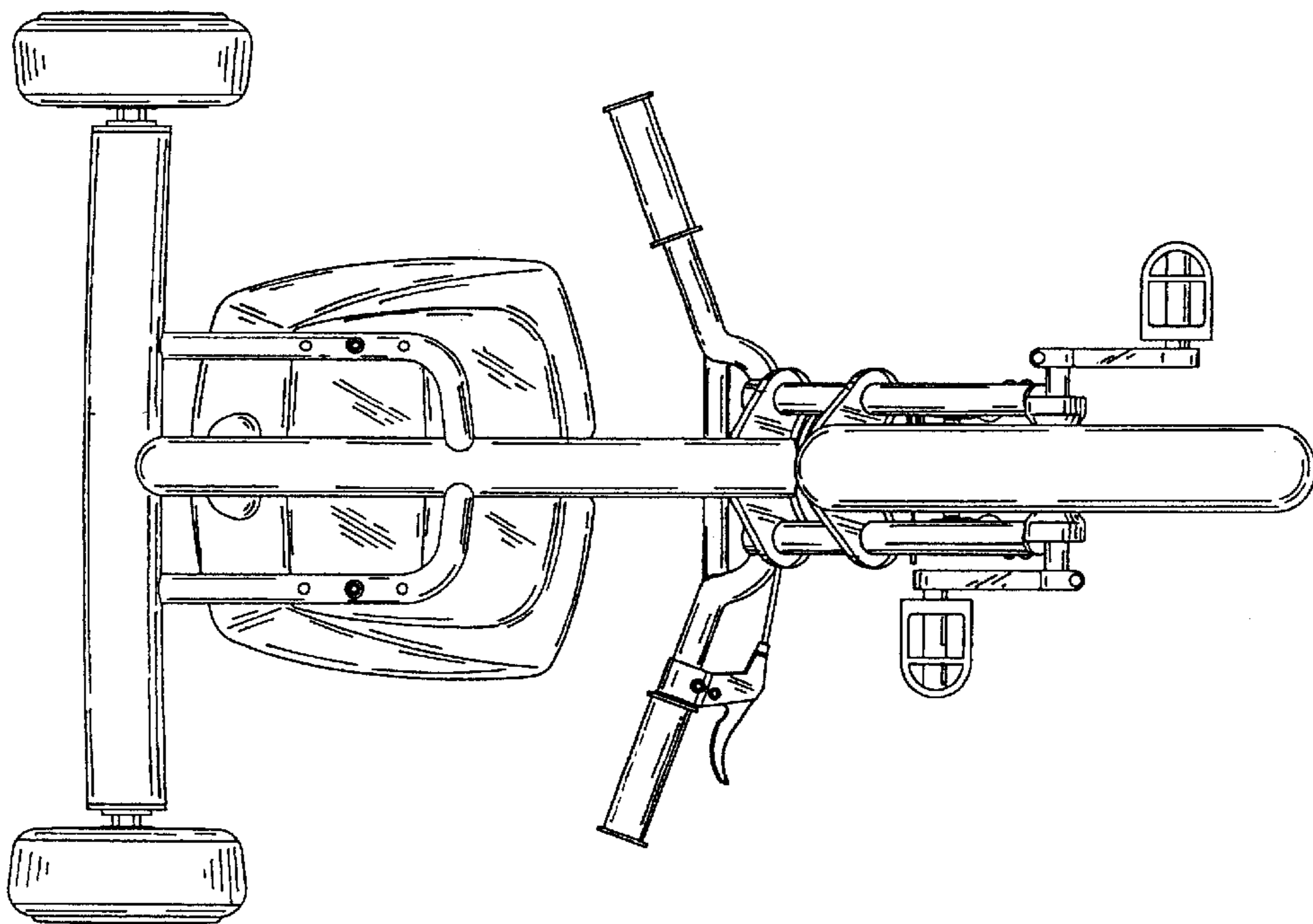


FIG. 5

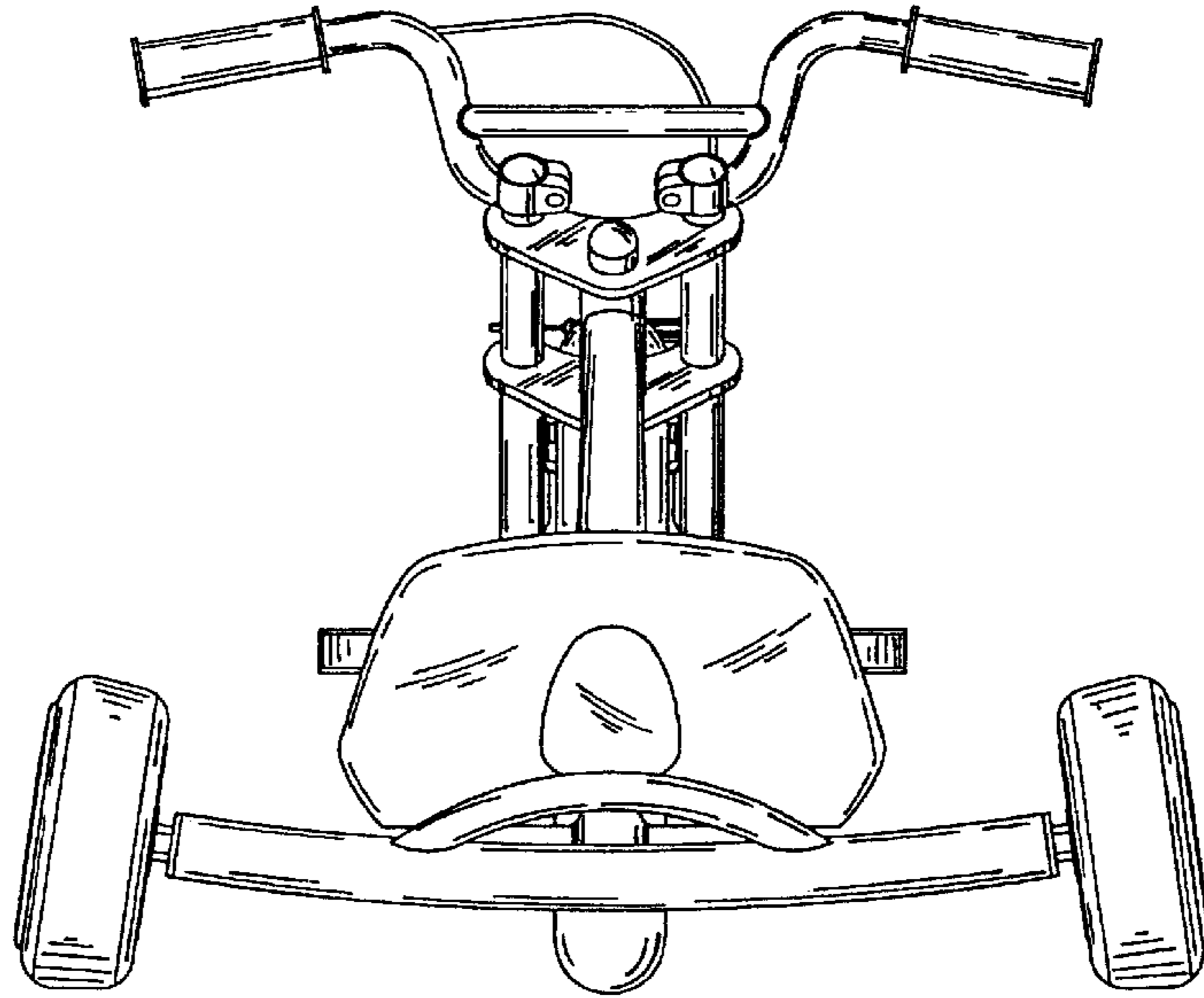


FIG. 6

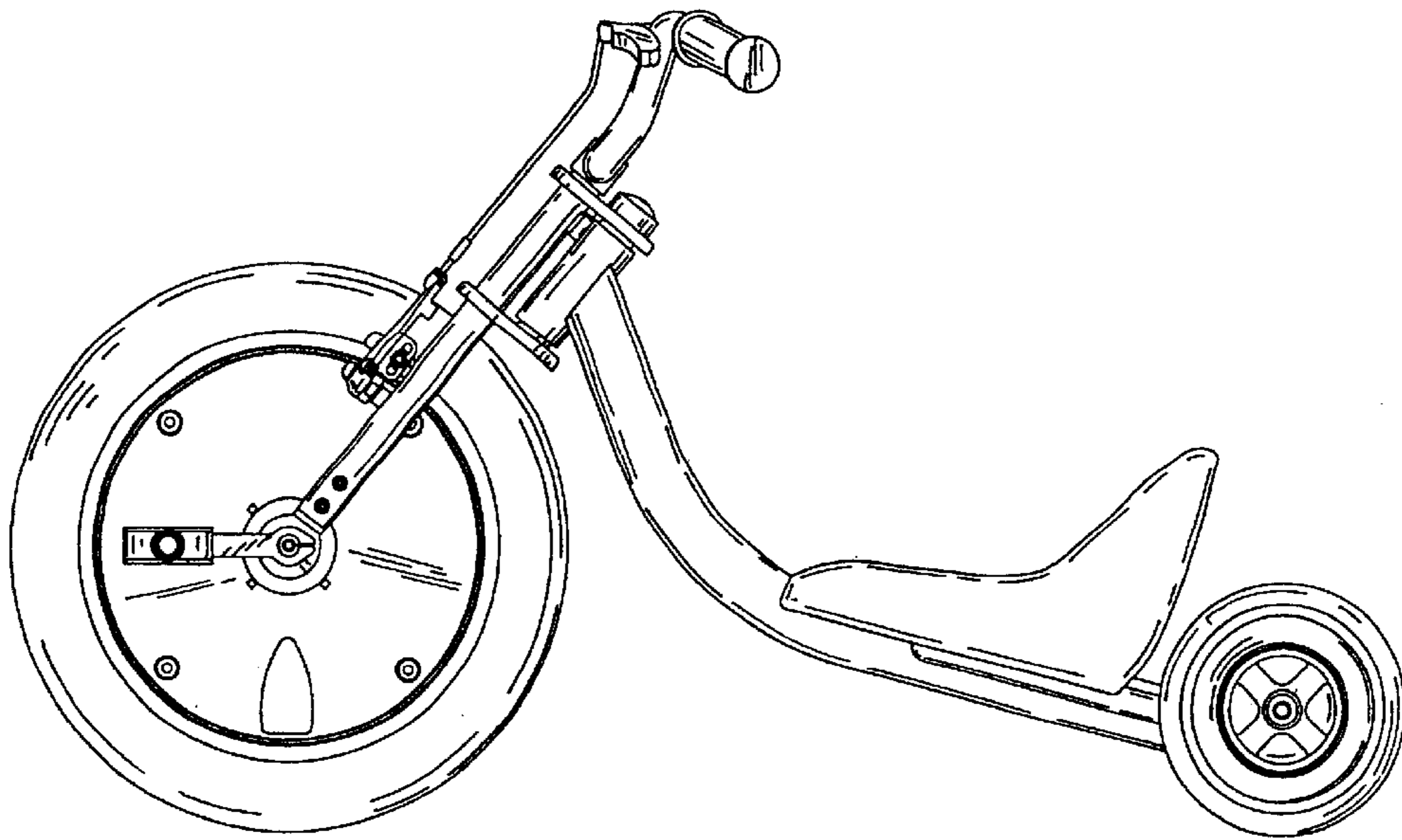


FIG. 7