



US00D484072S

(12) **United States Design Patent**  
**Bruns**

(10) **Patent No.:** **US D484,072 S**

(45) **Date of Patent:** **\*\* Dec. 23, 2003**

- (54) **SKI**
- (75) **Inventor:** **Steven A. Bruns**, Hector, MN (US)
- (73) **Assignee:** **Pride Solutions, LLC**, Hutchinson, MN (US)
- (\*\*) **Term:** **14 Years**
- (21) **Appl. No.:** **29/169,180**
- (22) **Filed:** **Oct. 16, 2002**

- D366,014 S \* 1/1996 Lindquist et al. .... D12/7
- D367,018 S \* 2/1996 Bernat ..... D12/7
- 6,331,008 B2 \* 12/2001 Cormican ..... 280/22
- 6,378,889 B1 \* 4/2002 Moriyama et al. .... 280/609
- 6,431,561 B1 \* 8/2002 Hedlund ..... 280/28

\* cited by examiner

*Primary Examiner*—Nelson C. Holtje

(57) **CLAIM**

The ornamental design of a ski, as shown and described.

**DESCRIPTION**

FIG. 1 is a perspective view of a ski of my new design;  
 FIG. 2 is a top plan view thereof;  
 FIG. 3 is a side elevational view thereof, the opposite side being a mirror image thereof;  
 FIG. 4 is a bottom plan view thereof;  
 FIG. 5 is a front elevational view thereof;  
 FIG. 6 is a rear elevational view thereof;  
 FIG. 7 is a perspective view of a first modification of the ski of FIG. 1;  
 FIG. 8 is a top plan view of FIG. 7;  
 FIG. 9 is a side elevational view of FIG. 7, the opposite side being a mirror image thereof;  
 FIG. 10 is a bottom plan view of FIG. 7;  
 FIG. 11 is a front elevational view of FIG. 7;  
 FIG. 12 is a rear elevational view of FIG. 7;  
 FIG. 13 is a perspective view of a second modification of the ski of FIG. 1;  
 FIG. 14 is a top plan view of FIG. 13;  
 FIG. 15 is a side elevational view of FIG. 13, the opposite side being a mirror image thereof;  
 FIG. 16 is a bottom plan view of FIG. 13;  
 FIG. 17 is a front elevational view of FIG. 13; and,  
 FIG. 18 is a rear elevational view of FIG. 13.

**Related U.S. Application Data**

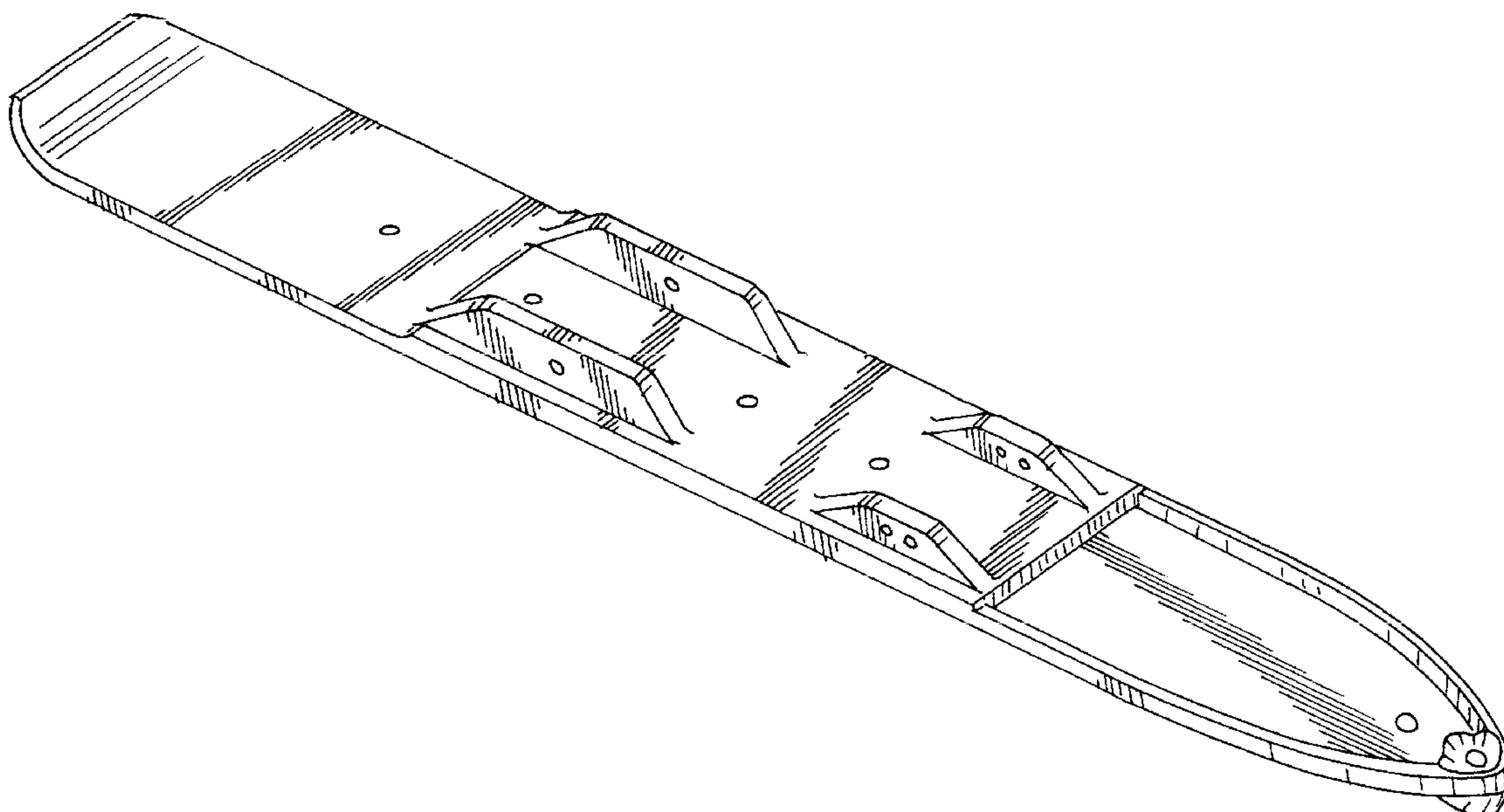
- (62) Division of application No. 29/137,993, filed on Mar. 5, 2001.
- (51) **LOC (7) Cl.** ..... **12-14**
- (52) **U.S. Cl.** ..... **D12/7**
- (58) **Field of Search** ..... D12/7; D21/760, D21/766-767, 769; 180/182, 184, 186, 192; 280/845, 602, 604, 609, 25-28, 16, 21.1, 22

(56) **References Cited**

**U.S. PATENT DOCUMENTS**

- 3,718,341 A \* 2/1973 Westberg ..... 280/28
- 3,726,354 A \* 4/1973 LaPlante ..... 280/21.1
- 3,817,544 A \* 6/1974 Labelle ..... 280/28
- 3,844,367 A \* 10/1974 Flohr ..... 280/28
- 3,854,541 A \* 12/1974 Hollnagel ..... 280/26
- 3,897,839 A \* 8/1975 Brisebois ..... 180/190
- D243,264 S \* 2/1977 Koblick ..... D21/766
- D255,893 S \* 7/1980 Fritz ..... D12/7
- D256,224 S \* 8/1980 Fritz ..... D12/7
- 4,382,849 A \* 5/1983 Spicer ..... 204/258
- 4,595,211 A \* 6/1986 Fitzpatrick ..... 280/28
- D306,566 S \* 3/1990 Symington ..... D12/7
- 5,222,749 A \* 6/1993 Bergstrom ..... 280/28

**1 Claim, 9 Drawing Sheets**



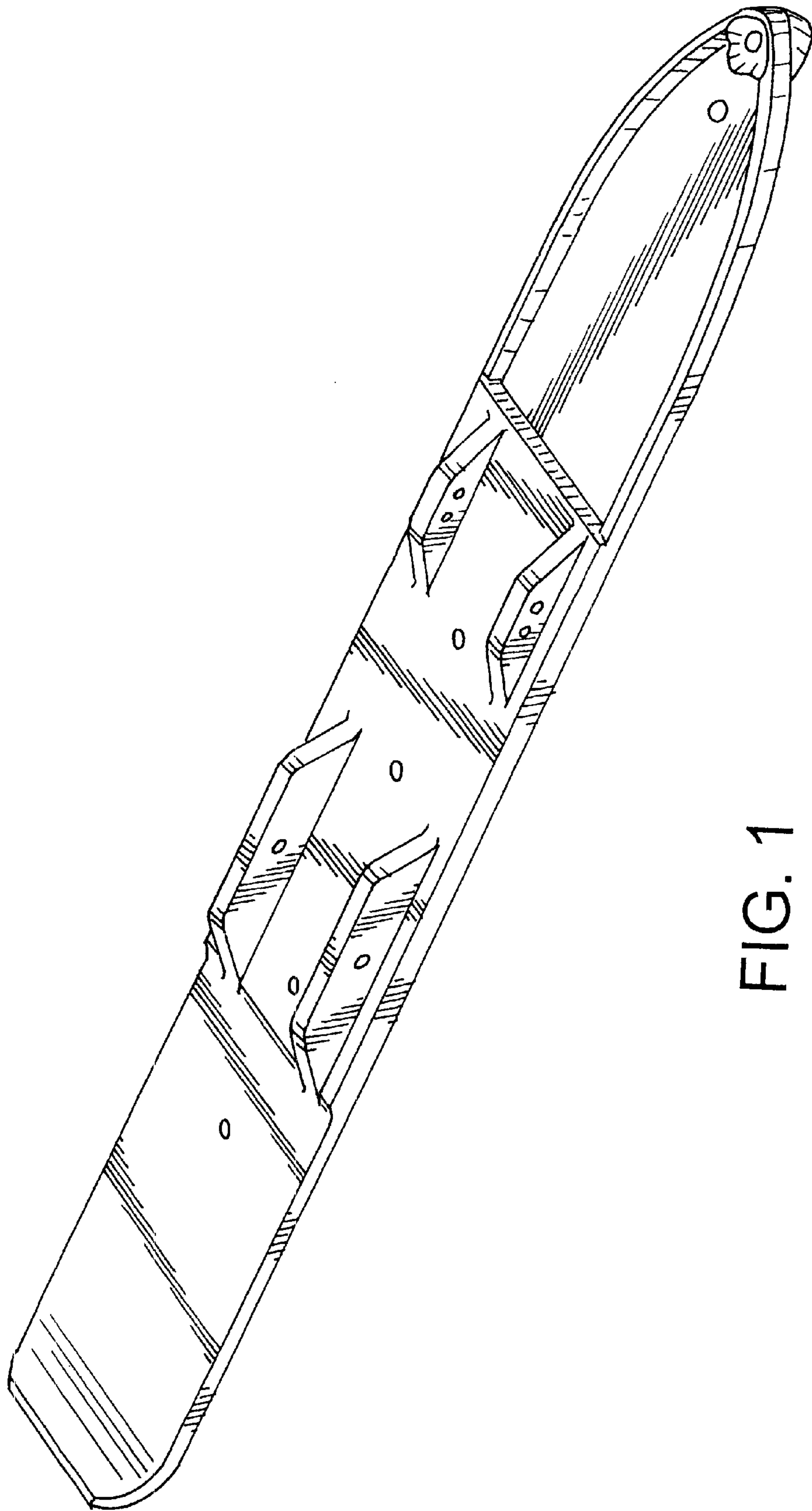


FIG. 1

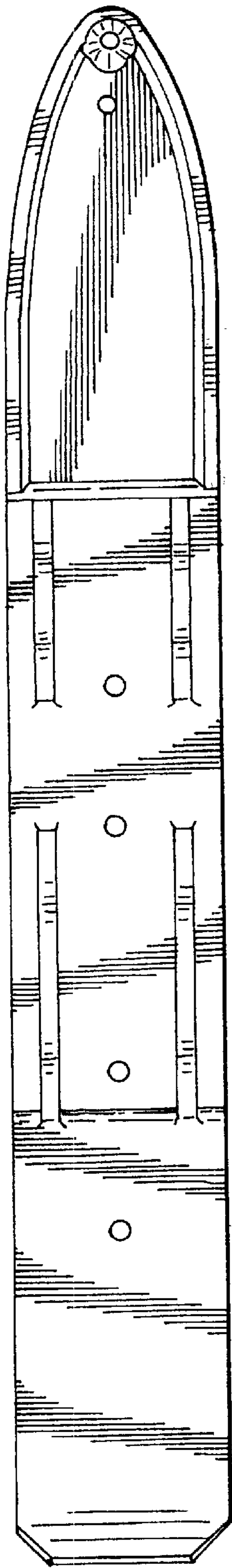


FIG. 2



FIG. 3

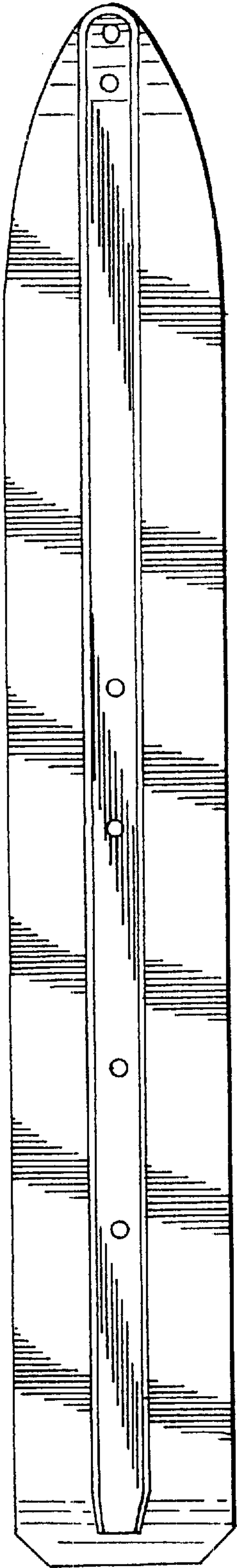


FIG. 4

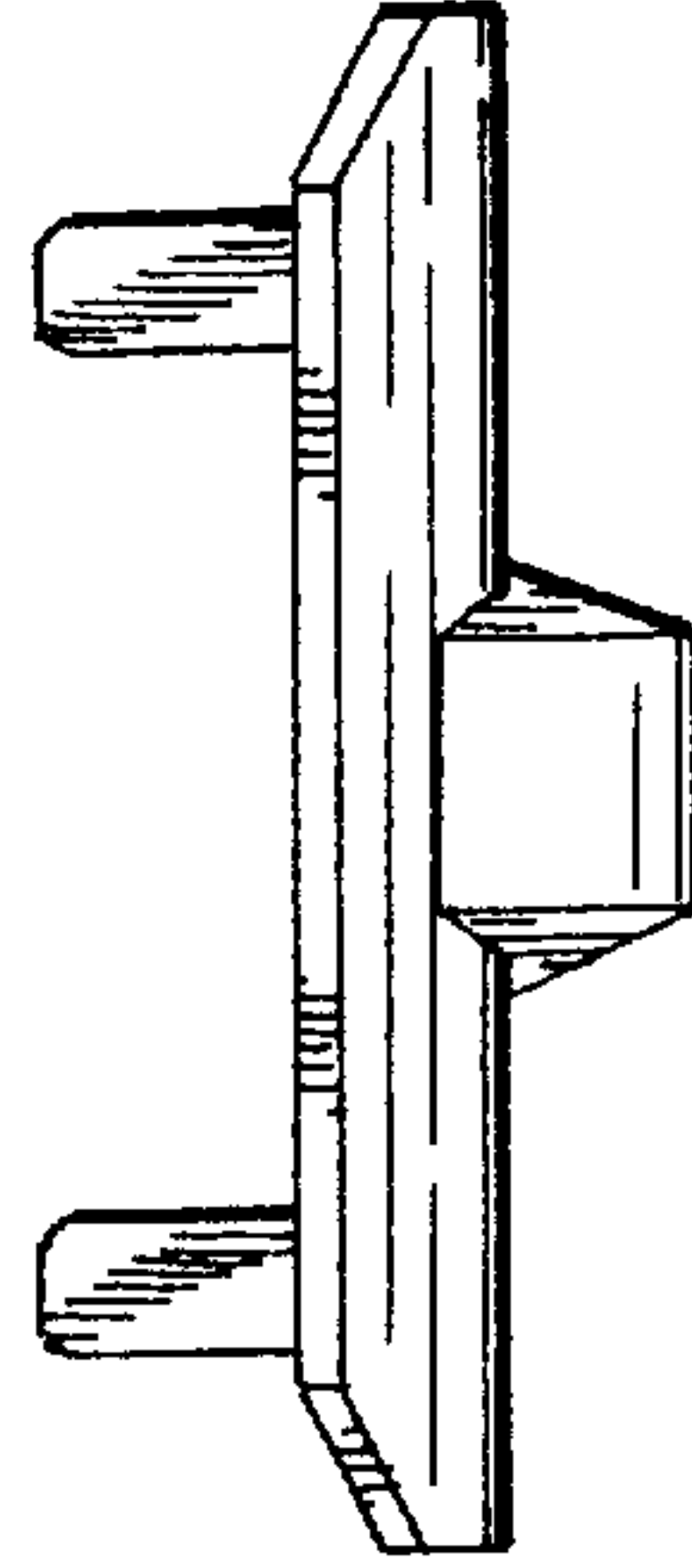


FIG. 6

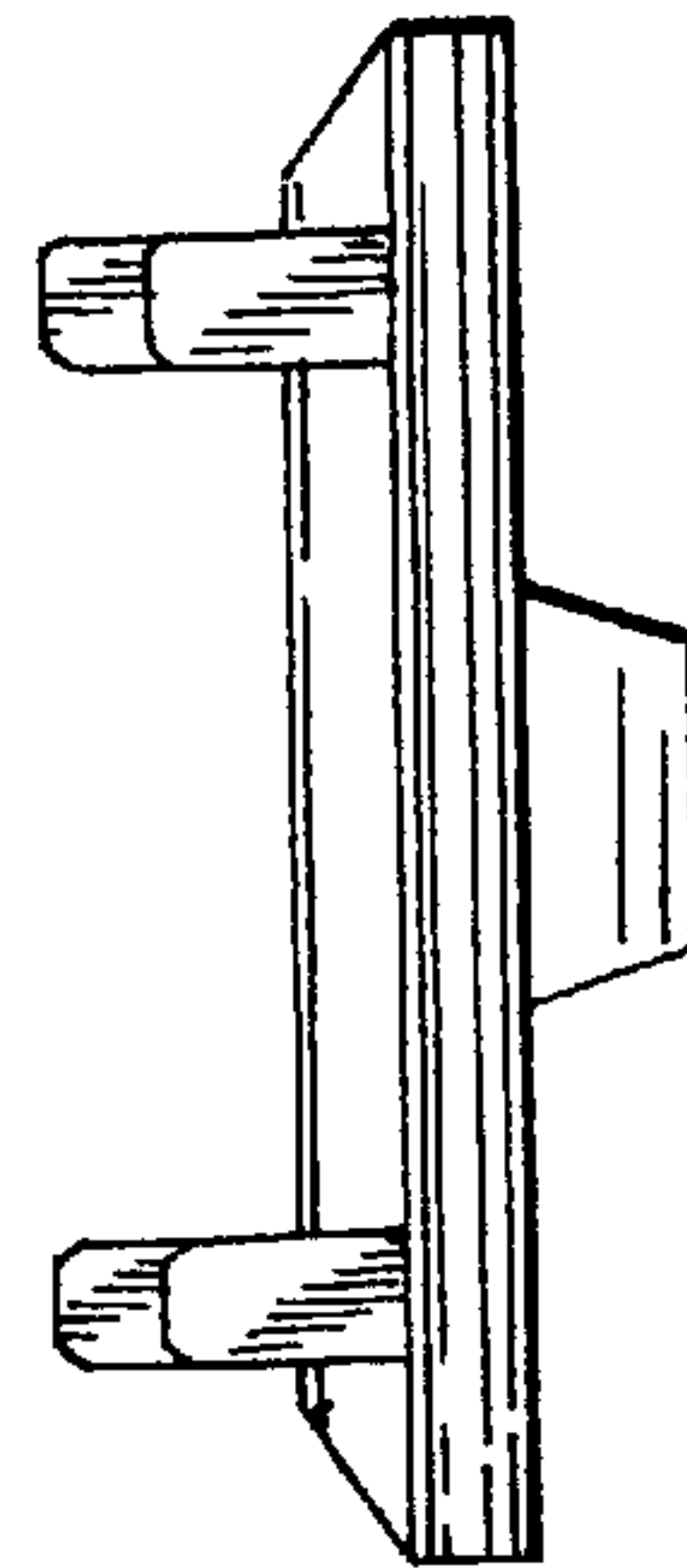


FIG. 5



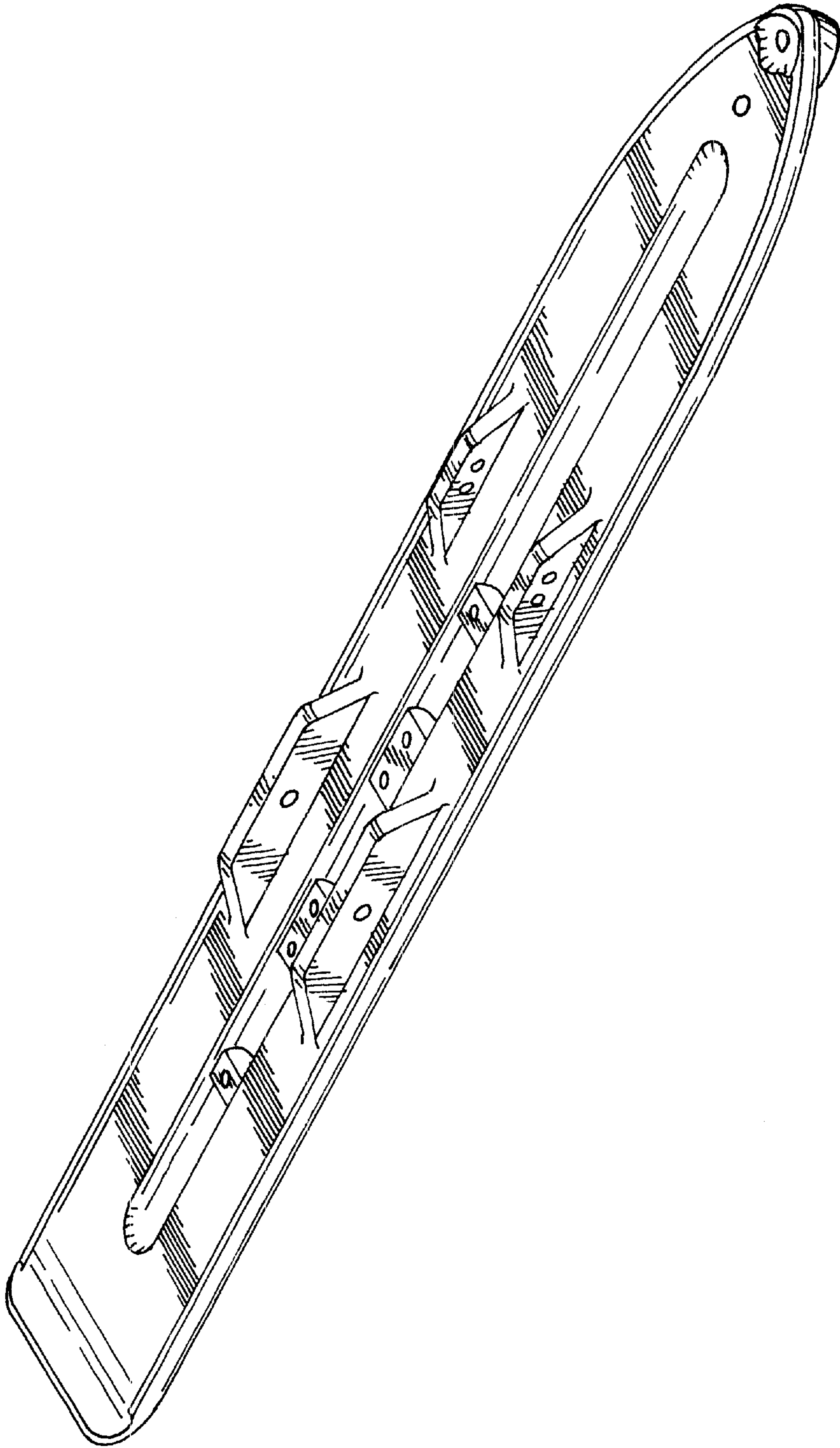


FIG. 7

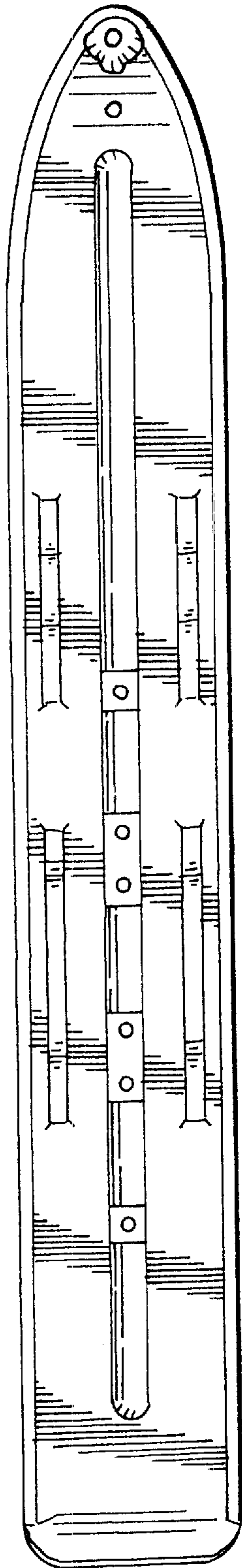


FIG. 8

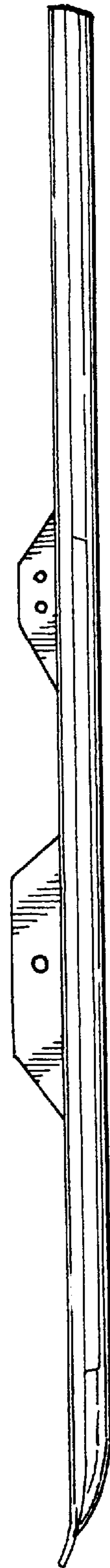


FIG. 9

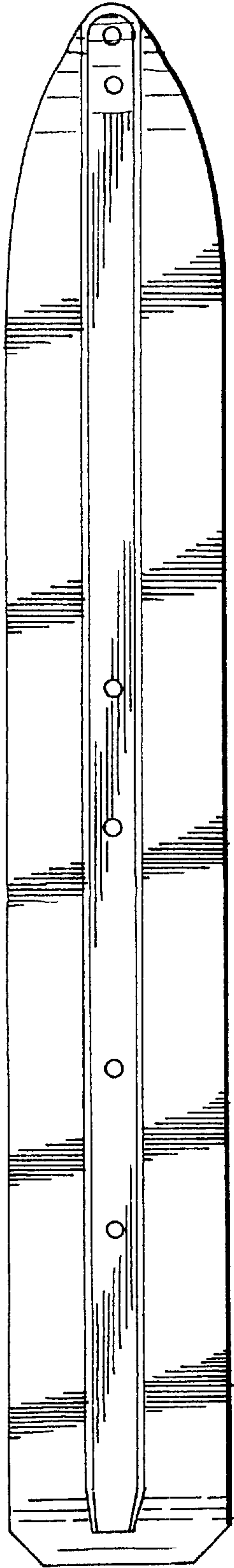


FIG. 10

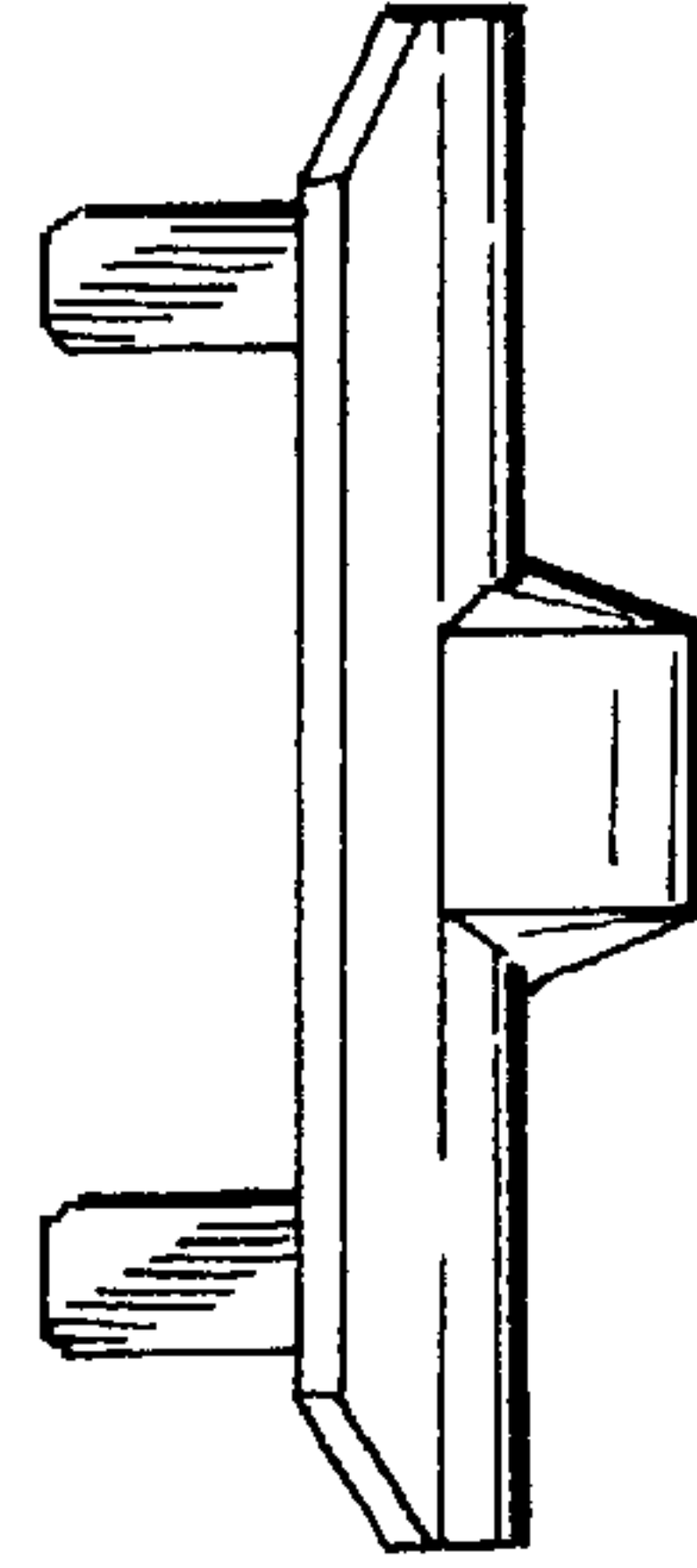


FIG. 12

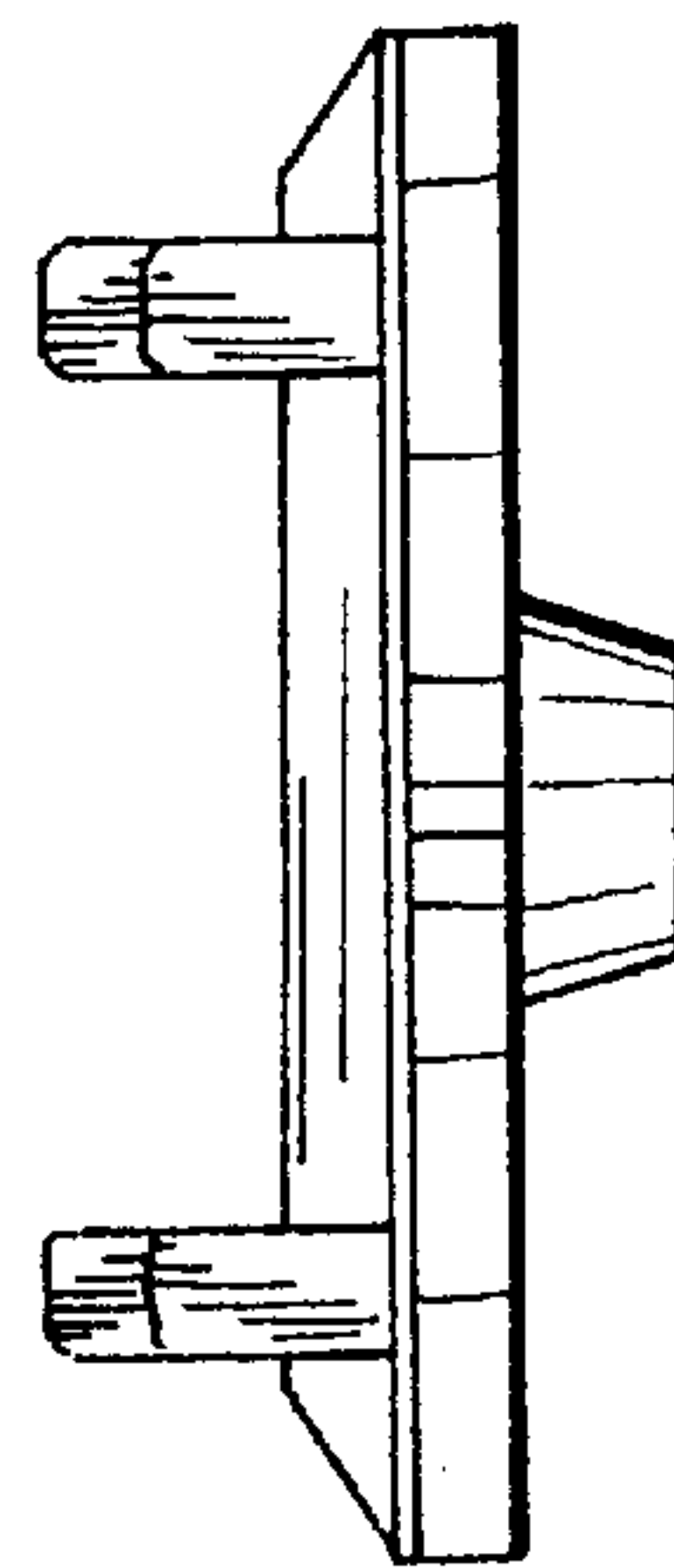


FIG. 11

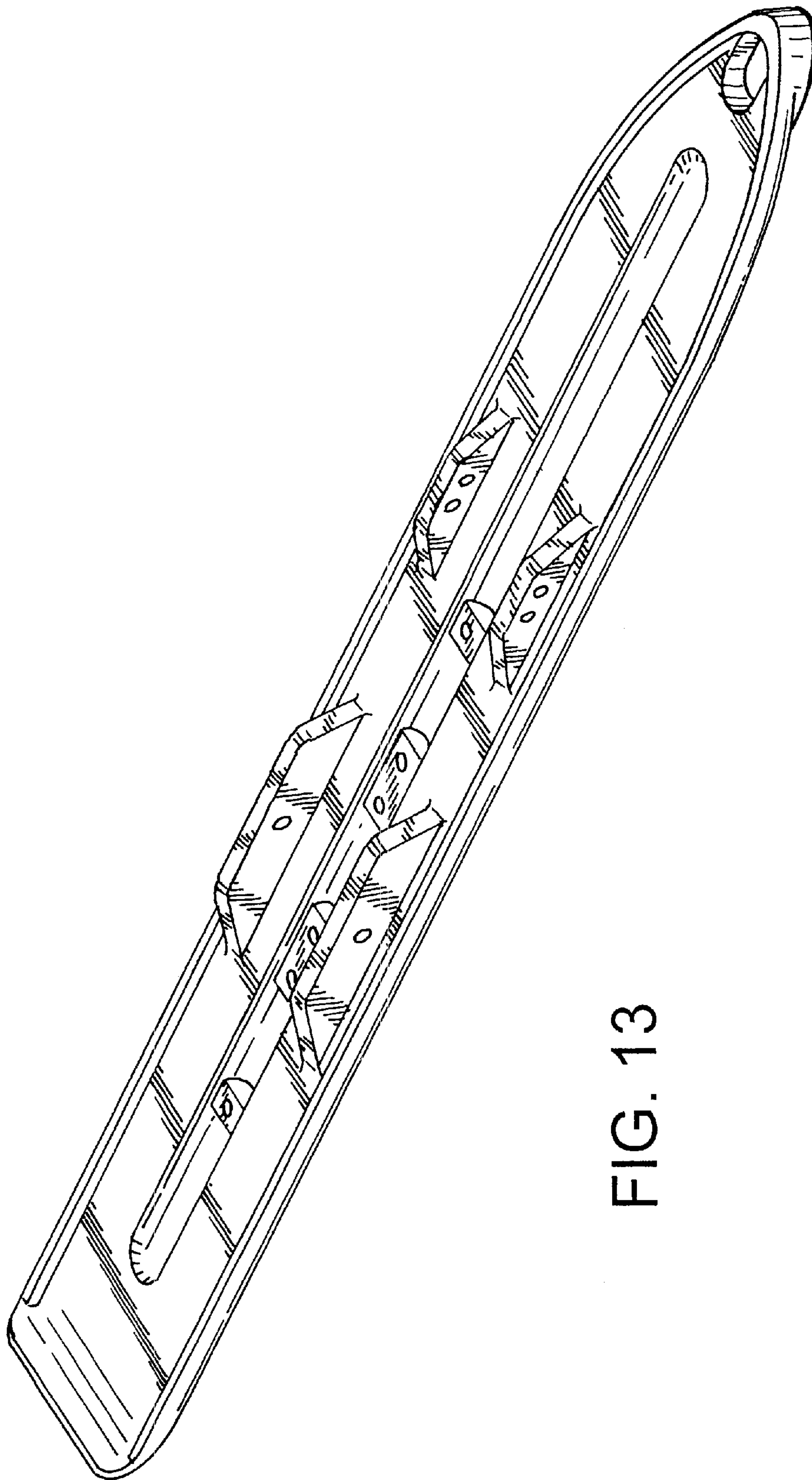


FIG. 13



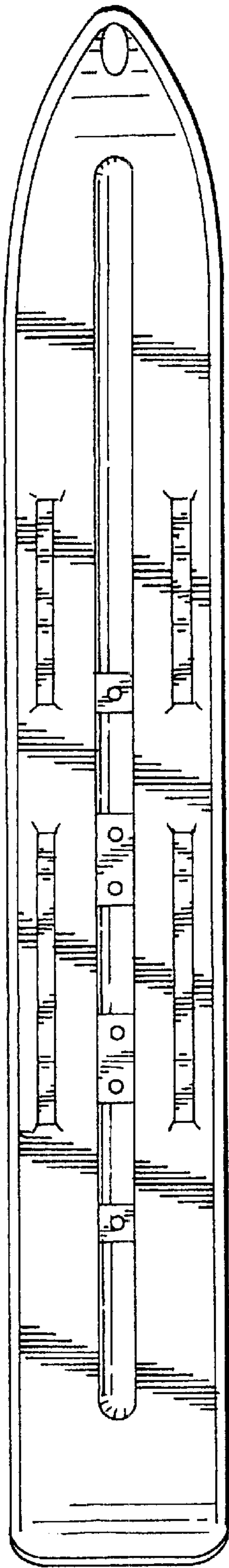


FIG. 14



FIG. 15

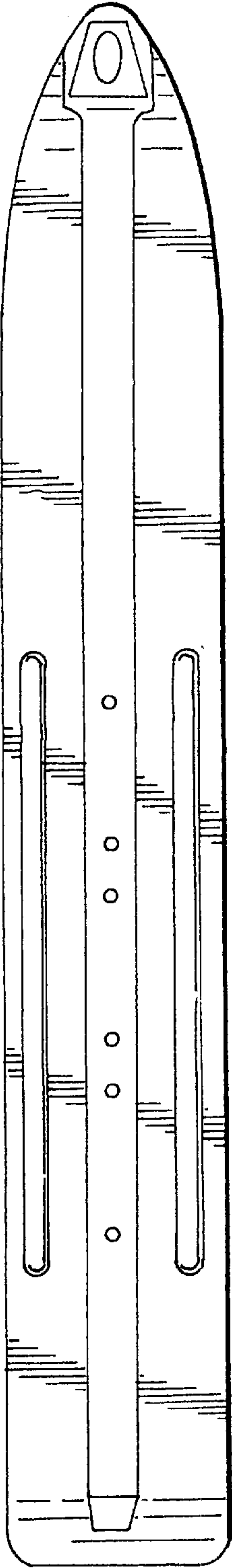


FIG. 16

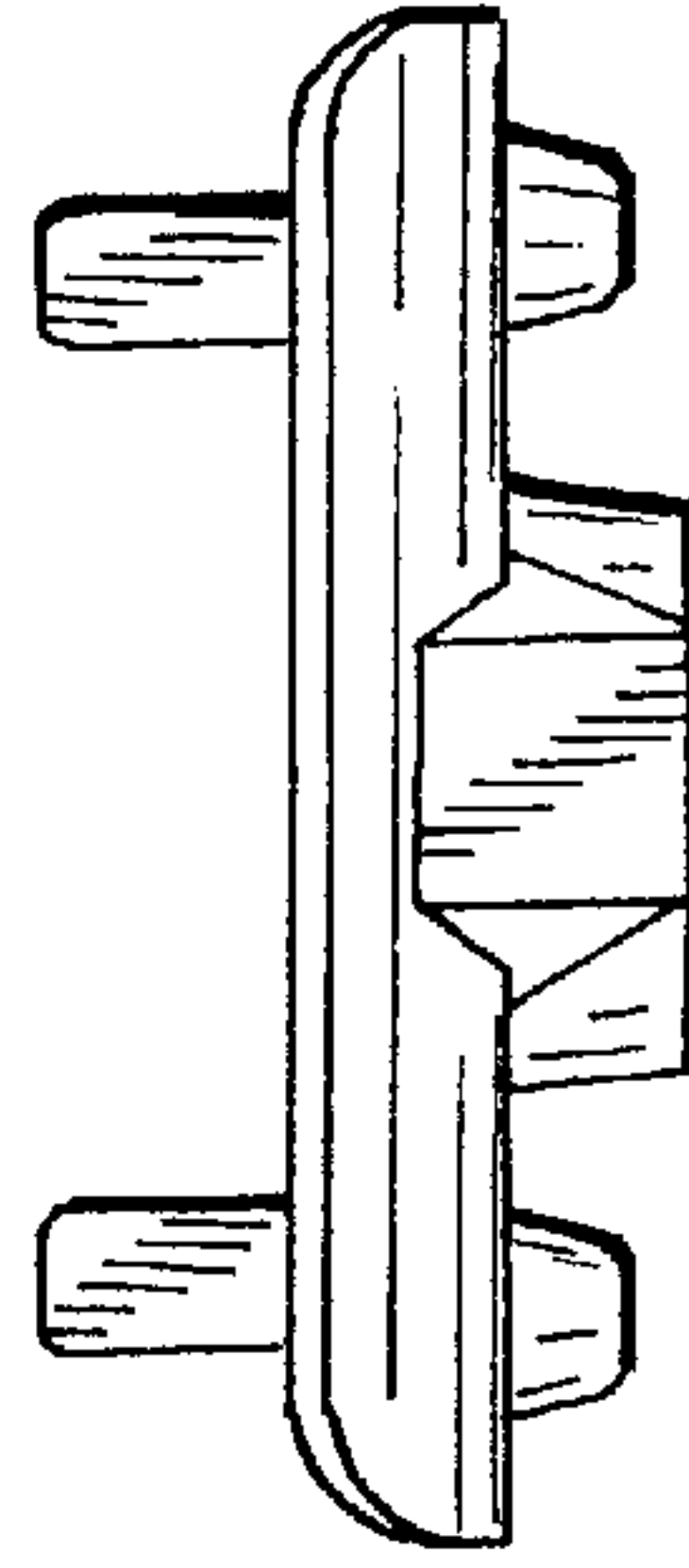


FIG. 18

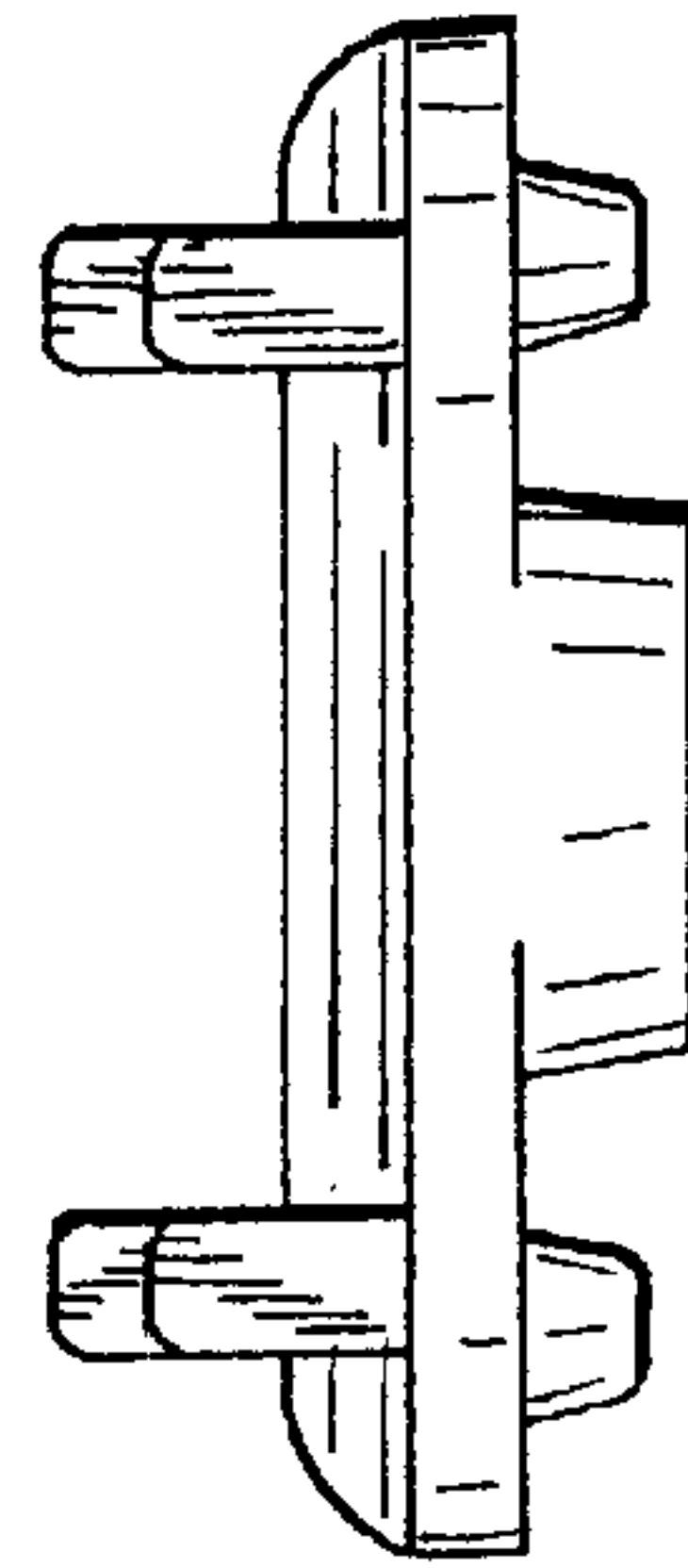


FIG. 17