



US00D484071S

(12) **United States Design Patent**
Kelleghan

(10) **Patent No.:** **US D484,071 S**

(45) **Date of Patent:** **** Dec. 23, 2003**

(54) **BELT BUCKLE**

(75) Inventor: **Brian James Kelleghan**, Longmont,
CO (US)

(73) Assignee: **Bison Designs, L.L.C.**, Longmont, CO
(US)

(**) Term: **14 Years**

(21) Appl. No.: **29/176,694**

(22) Filed: **Feb. 25, 2003**

(51) **LOC (7) Cl.** **02-07**

(52) **U.S. Cl.** **D11/216**

(58) **Field of Search** D11/200, 212,
D11/214-218; 24/196-198, 200; D8/383

(56) **References Cited**

U.S. PATENT DOCUMENTS

D327,455 S	*	6/1992	Blair	D11/216
D328,045 S	*	7/1992	Matoba	D11/218
D393,606 S	*	4/1998	Lin	D11/216
D414,401 S	*	9/1999	Aganian	D8/383
D453,125 S	*	1/2002	Citton	D11/216
D456,309 S	*	4/2002	Yoshiguchi	D11/218

OTHER PUBLICATIONS

Photocopies of webbing tie down owned by applicant prior to invention of subject buckle. (6 pages) no date.

* cited by examiner

Primary Examiner—Ralf Seifert

(74) *Attorney, Agent, or Firm*—Margaret Polson; Patent Law Offices of Rick Martin, P.C.

(57) **CLAIM**

The ornamental design for a belt buckle, as shown and described.

DESCRIPTION

FIG. 1 is a top plan view of one embodiment of my new design for a belt buckle.

FIG. 2 is a bottom plan view of FIG. 1.

FIG. 3 is a right side and left side elevation view, which are mirror images, of FIG. 1.

FIG. 4 is a front side elevation view of FIG. 1.

FIG. 5 is a back side elevation view of FIG. 1.

FIG. 6 is a top perspective view of FIG. 1.

FIG. 7 is a top plan view of a second embodiment of my new design for a belt buckle.

FIG. 8 is a bottom plan view of FIG. 7.

FIG. 9 is a right side and left side elevation view, which are mirror images, of FIG. 7.

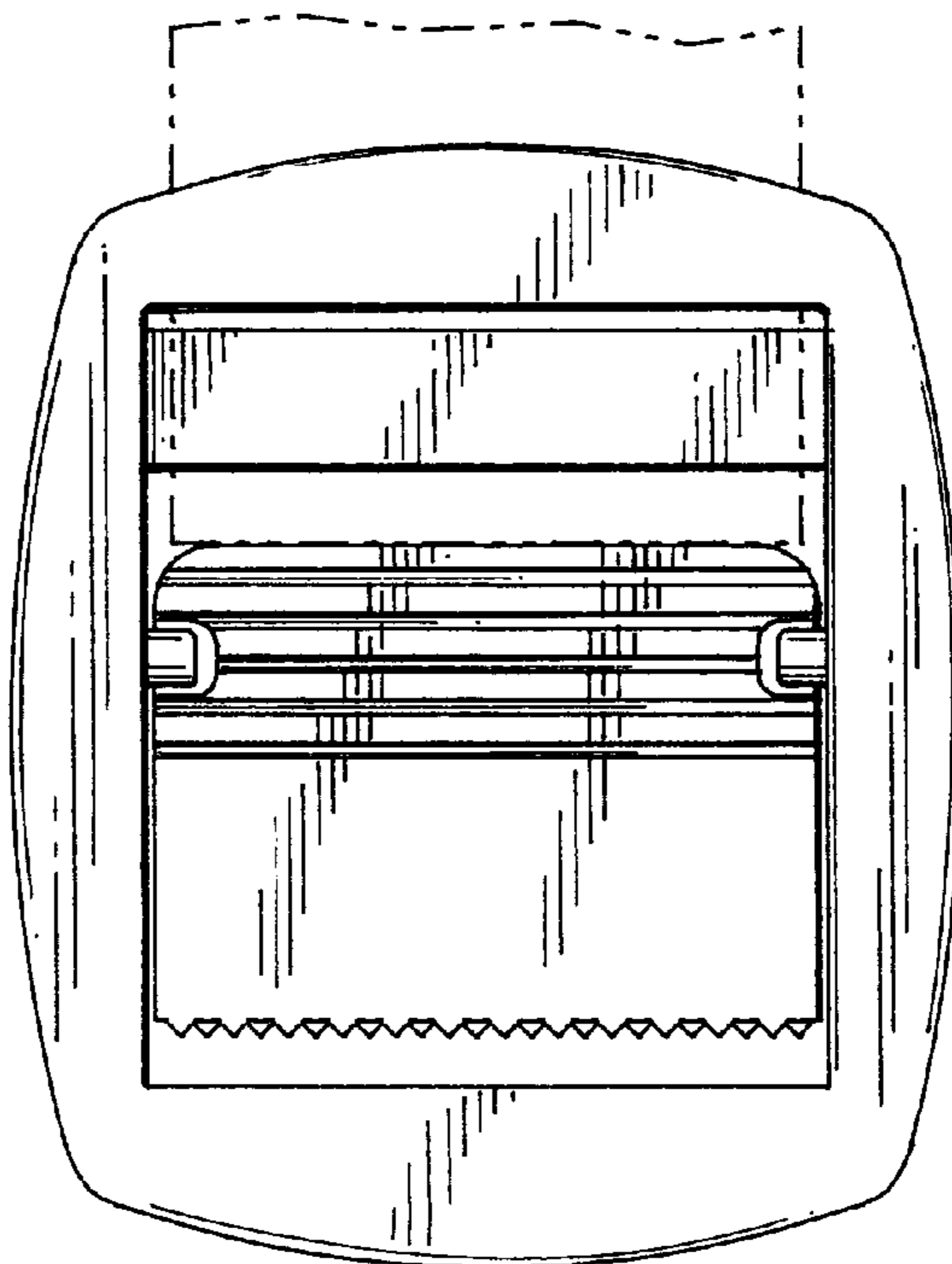
FIG. 10 is a front side elevation view of FIG. 7.

FIG. 11 is a back side elevation view of FIG. 7; and,

FIG. 12 is a top perspective view of FIG. 7.

It being understood that the broken lines are for illustrative purposes only.

1 Claim, 2 Drawing Sheets



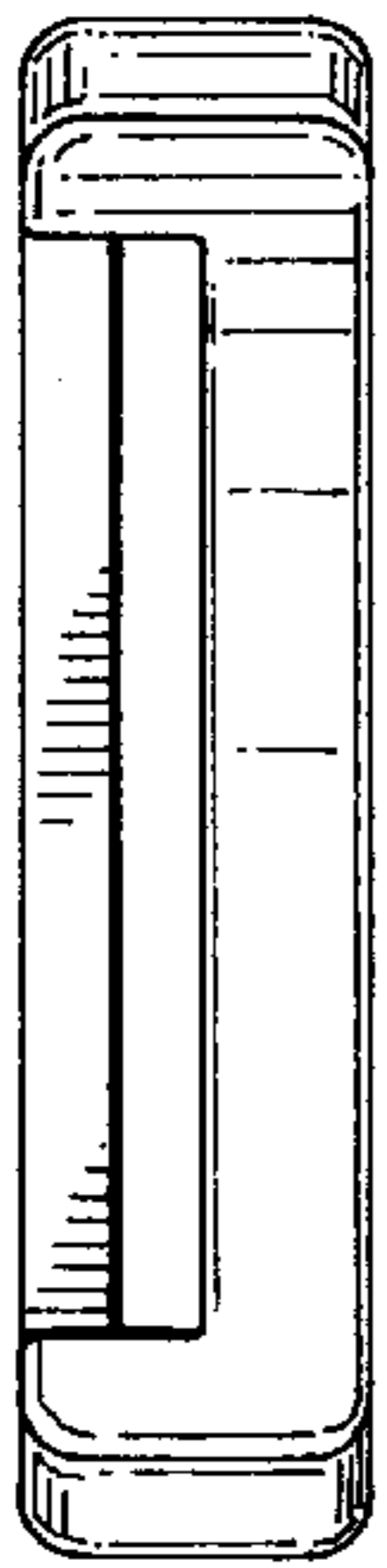


FIG. 4

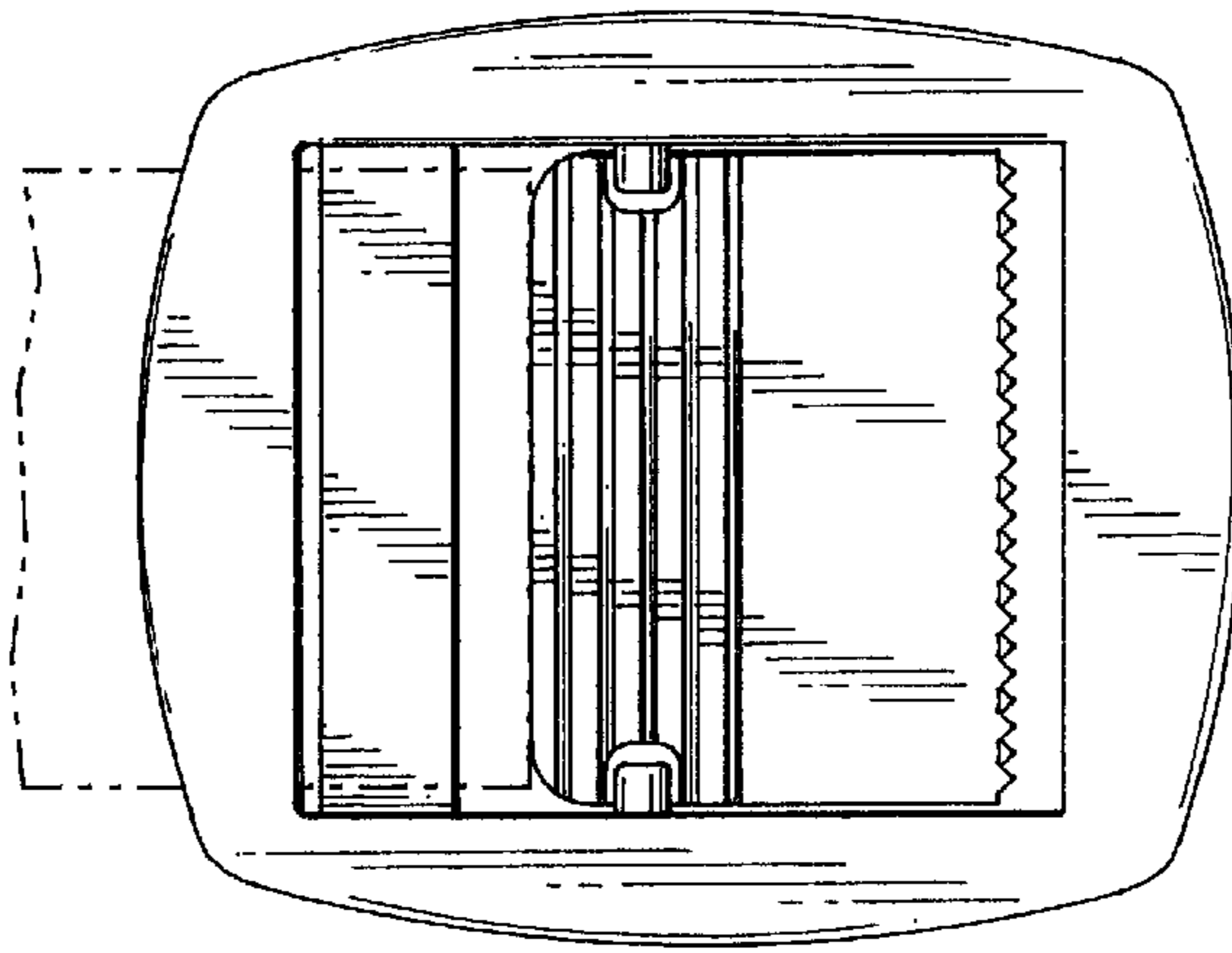


FIG. 1

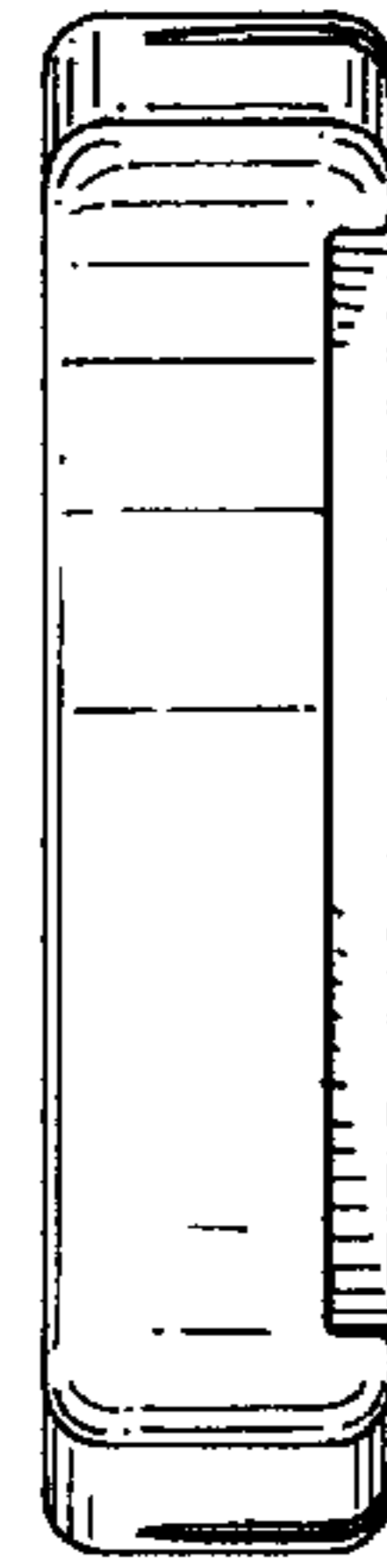


FIG. 5

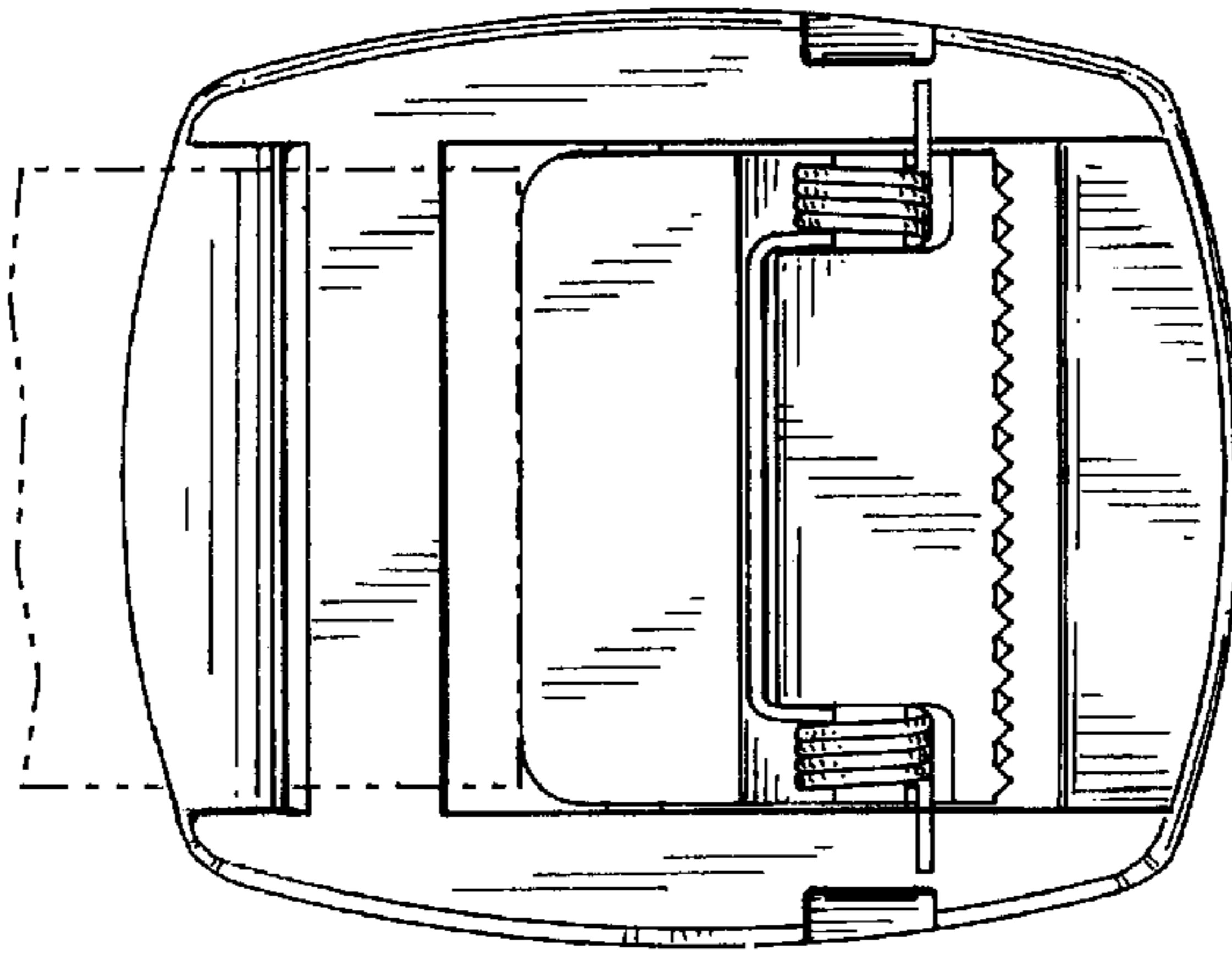


FIG. 2



FIG. 3

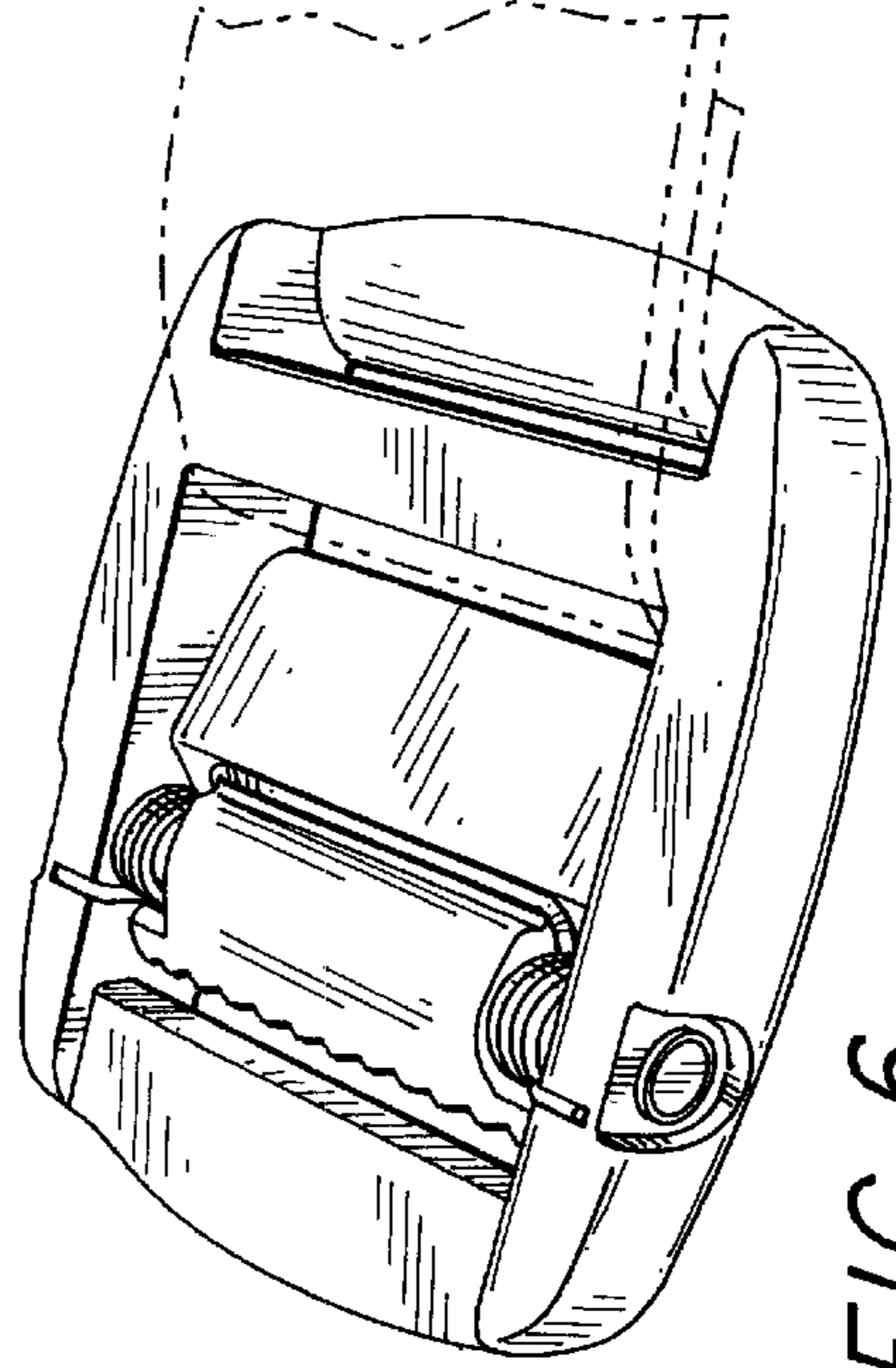


FIG. 6

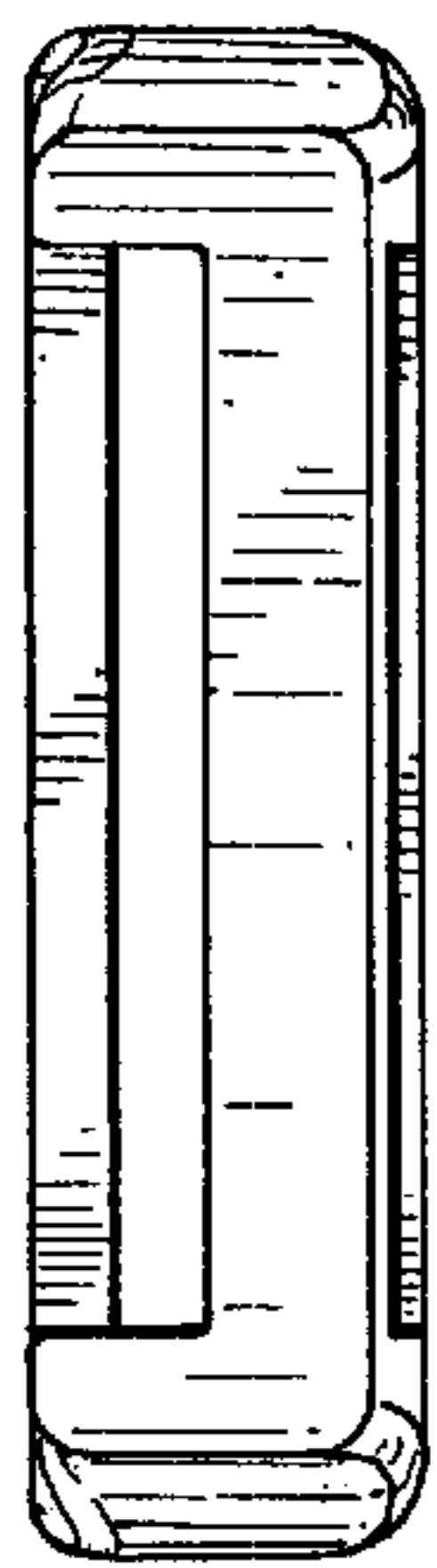


FIG. 10

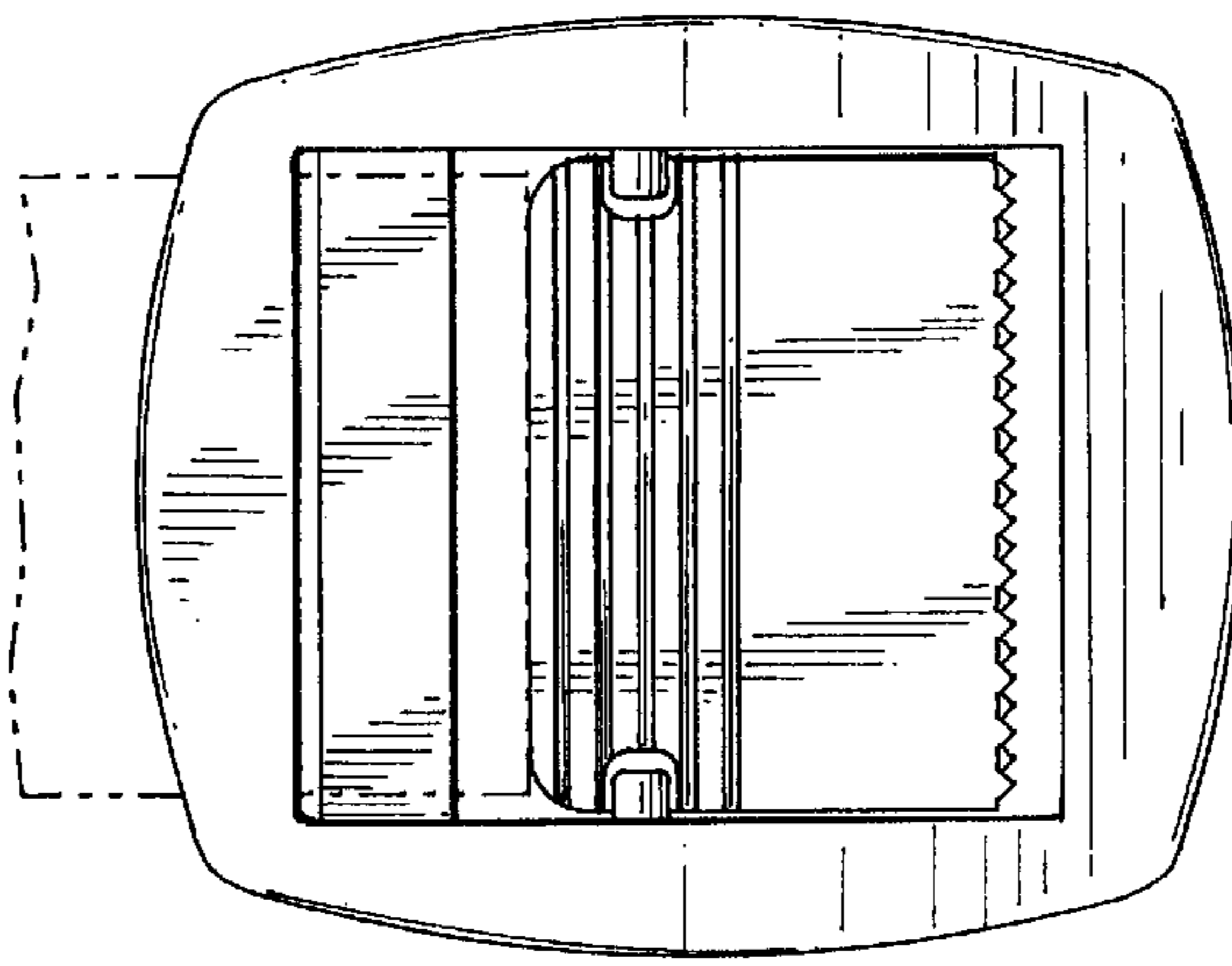


FIG. 7

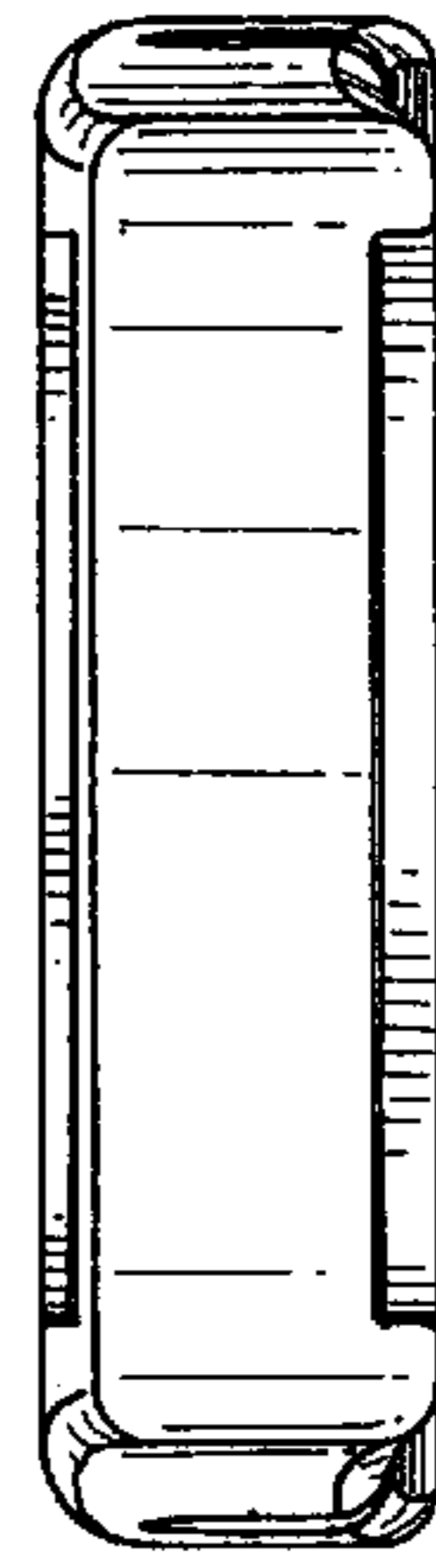


FIG. 11

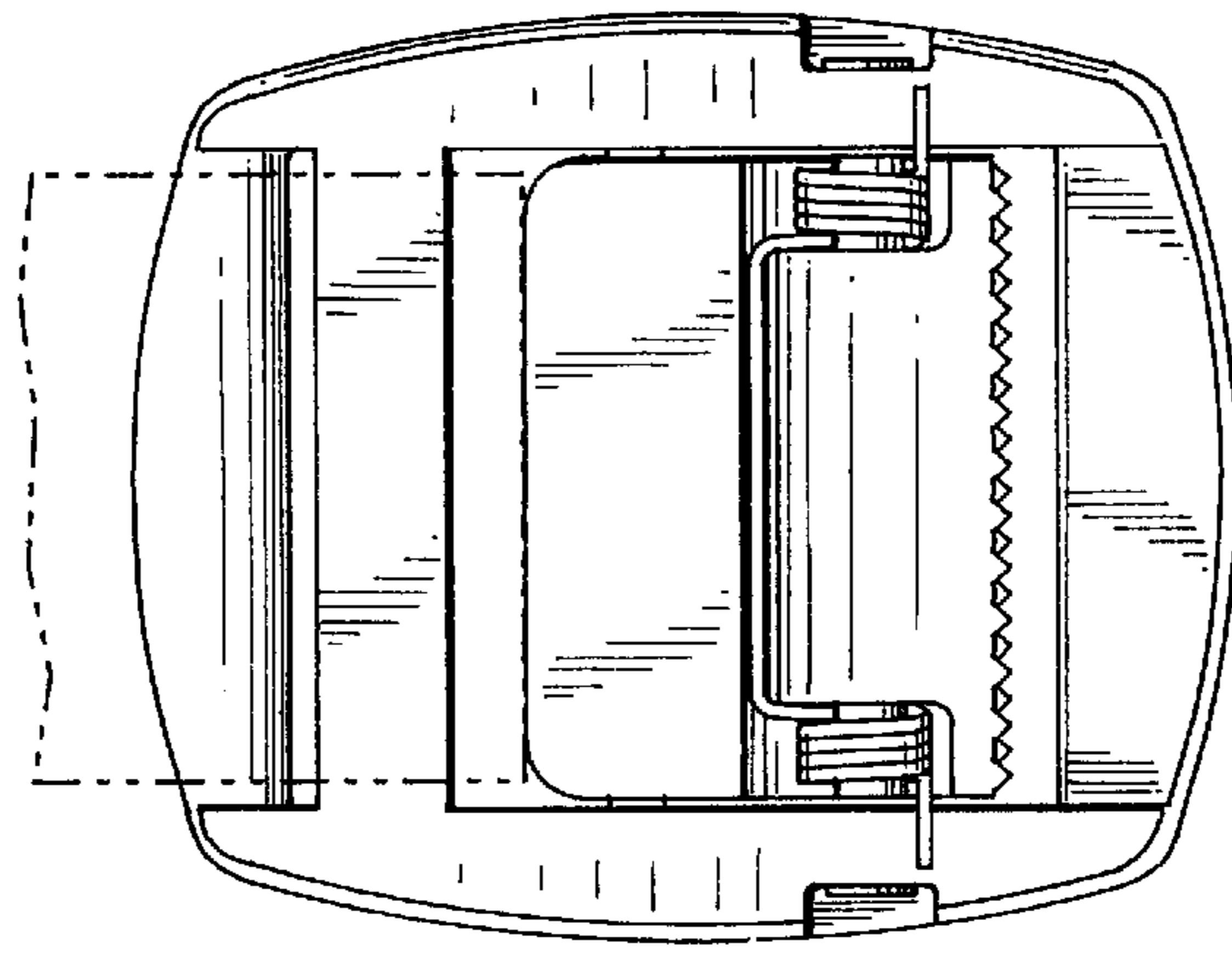


FIG. 8

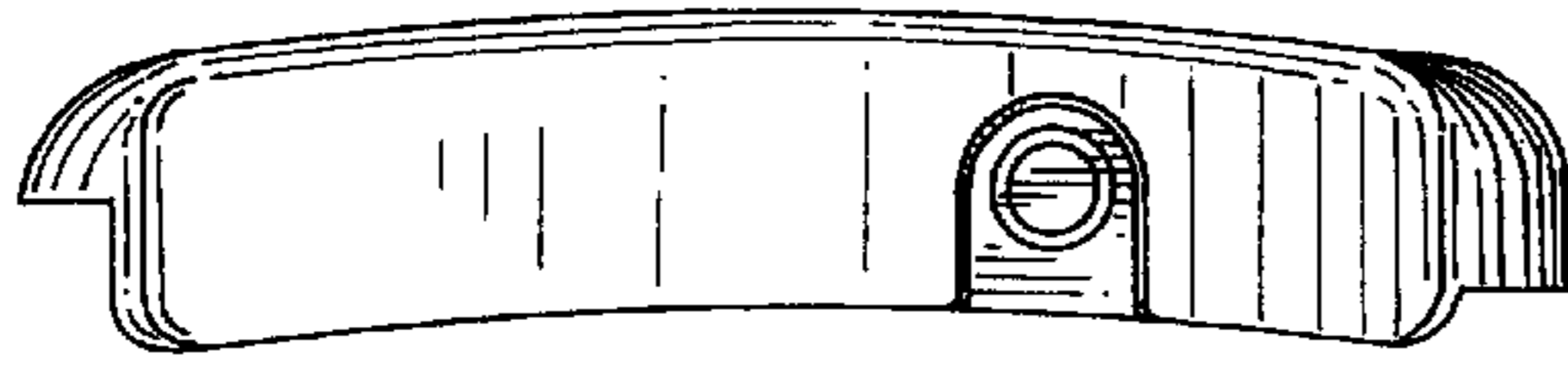


FIG. 9

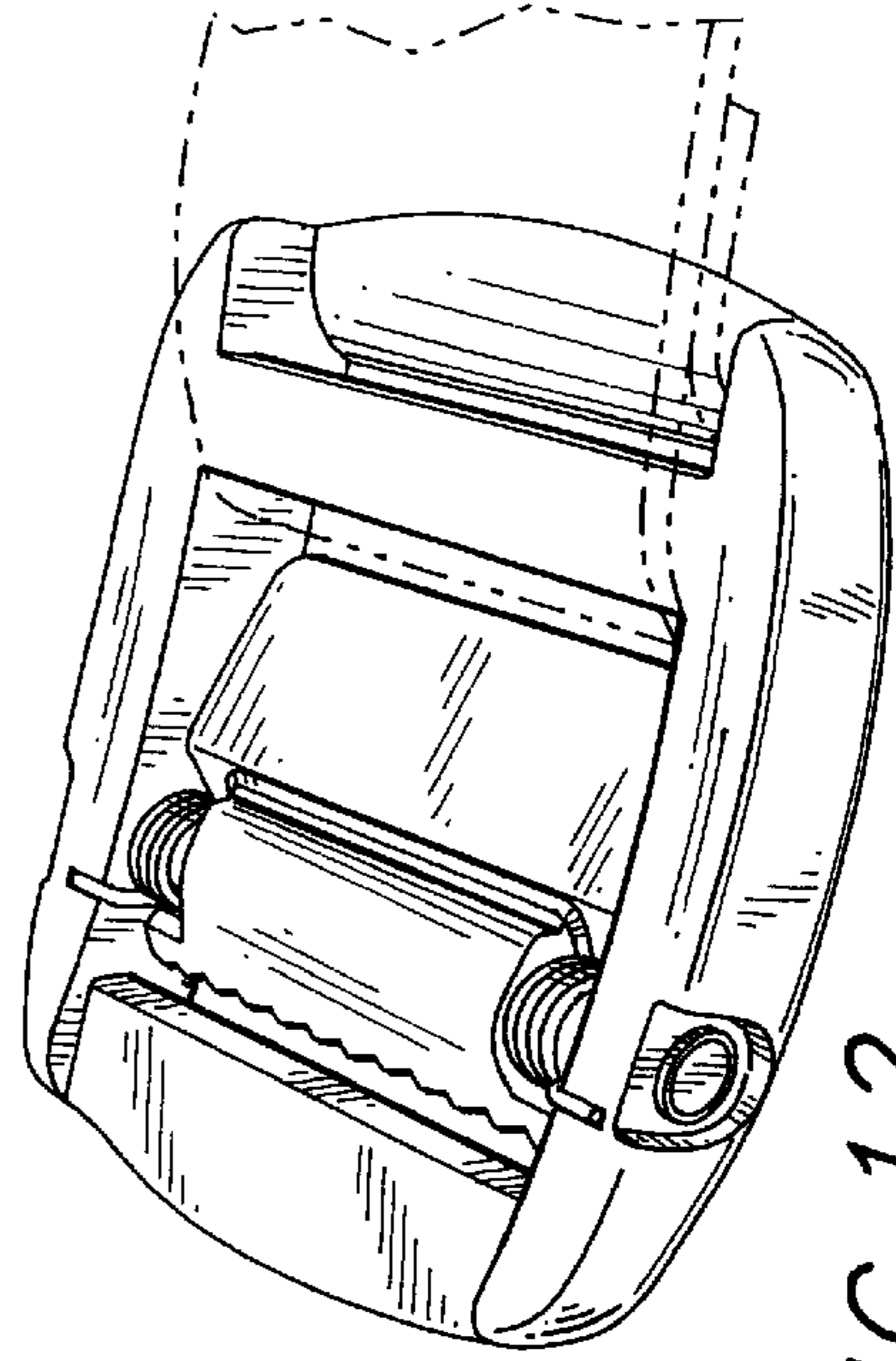


FIG. 12