



US00D484067S

(12) **United States Design Patent**
Wright

(10) **Patent No.:** **US D484,067 S**

(45) **Date of Patent:** **** Dec. 23, 2003**

(54) **RELIGIOUS ORNAMENT**

D431,013 S * 9/2000 Evans, Jr. D11/133

(76) Inventor: **Patricia D. Wright**, 1011 Moss Way,
Valdosta, GA (US) 31602

* cited by examiner

(**) Term: **14 Years**

Primary Examiner—Dominic Simone
(74) *Attorney, Agent, or Firm*—John P. Sinnott; Langdale &
Valotton

(21) Appl. No.: **29/168,149**

(57) **CLAIM**

(22) Filed: **Sep. 26, 2002**

The ornamental design for a religious ornament, as shown
and described.

(51) **LOC (7) Cl.** **11-01**

(52) **U.S. Cl.** **D11/79; D11/81; D11/131;**
D11/133; D11/121; D99/25

DESCRIPTION

(58) **Field of Search** **D11/131, 132,**
D11/133, 121, 79, 81, 1; D99/25; 428/7,
3

FIG. 1 is a front perspective view of an ornament charac-
terizing the invention;

FIG. 2 is a front elevation of the ornament shown in FIG. 1;

FIG. 3 is a bottom elevation of the ornament shown in FIG.
1;

FIG. 4 is a top view of the ornament that is shown in FIG.
1;

FIG. 5 is a right side elevation of the ornament shown in
FIG. 1;

FIG. 6 is a left side elevation of the ornament shown in FIG.
1; and,

FIG. 7 is a rear view of the ornament shown in FIG. 1.

(56) **References Cited**

U.S. PATENT DOCUMENTS

D10,881 S	*	10/1878	Learned	D11/125
D136,314 S	*	9/1943	Reinhold et al.	D11/157
D233,672 S	*	11/1974	Meehan	D11/184
D246,353 S	*	11/1977	Elkaim	D11/8
D255,669 S	*	7/1980	Trupiano	D11/79
D319,604 S	*	9/1991	Peterson	D11/79
D355,391 S	*	2/1995	Derk	D11/133
D360,849 S	*	8/1995	Beckett	D11/132

1 Claim, 3 Drawing Sheets

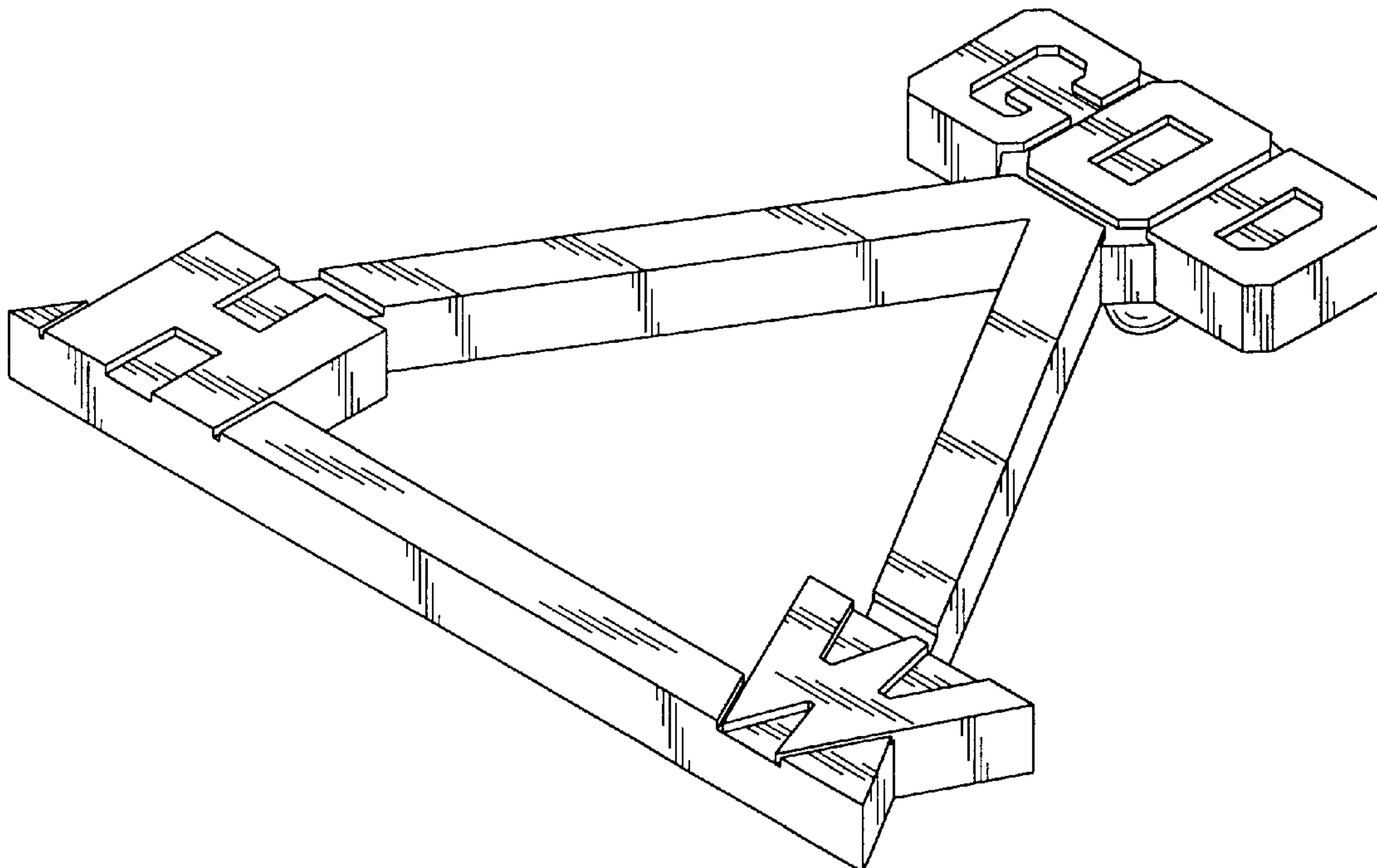


FIG. 1

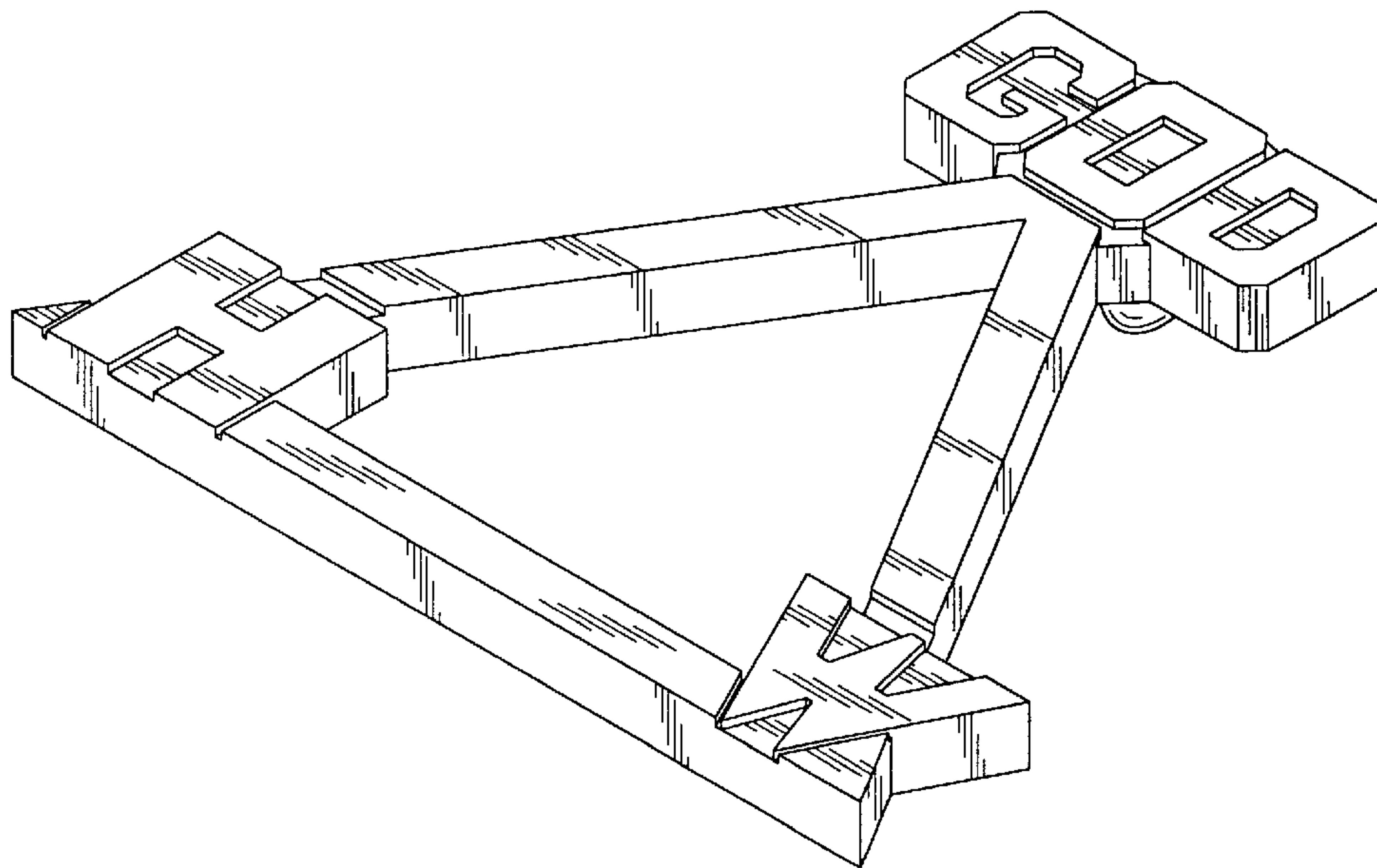


FIG. 2

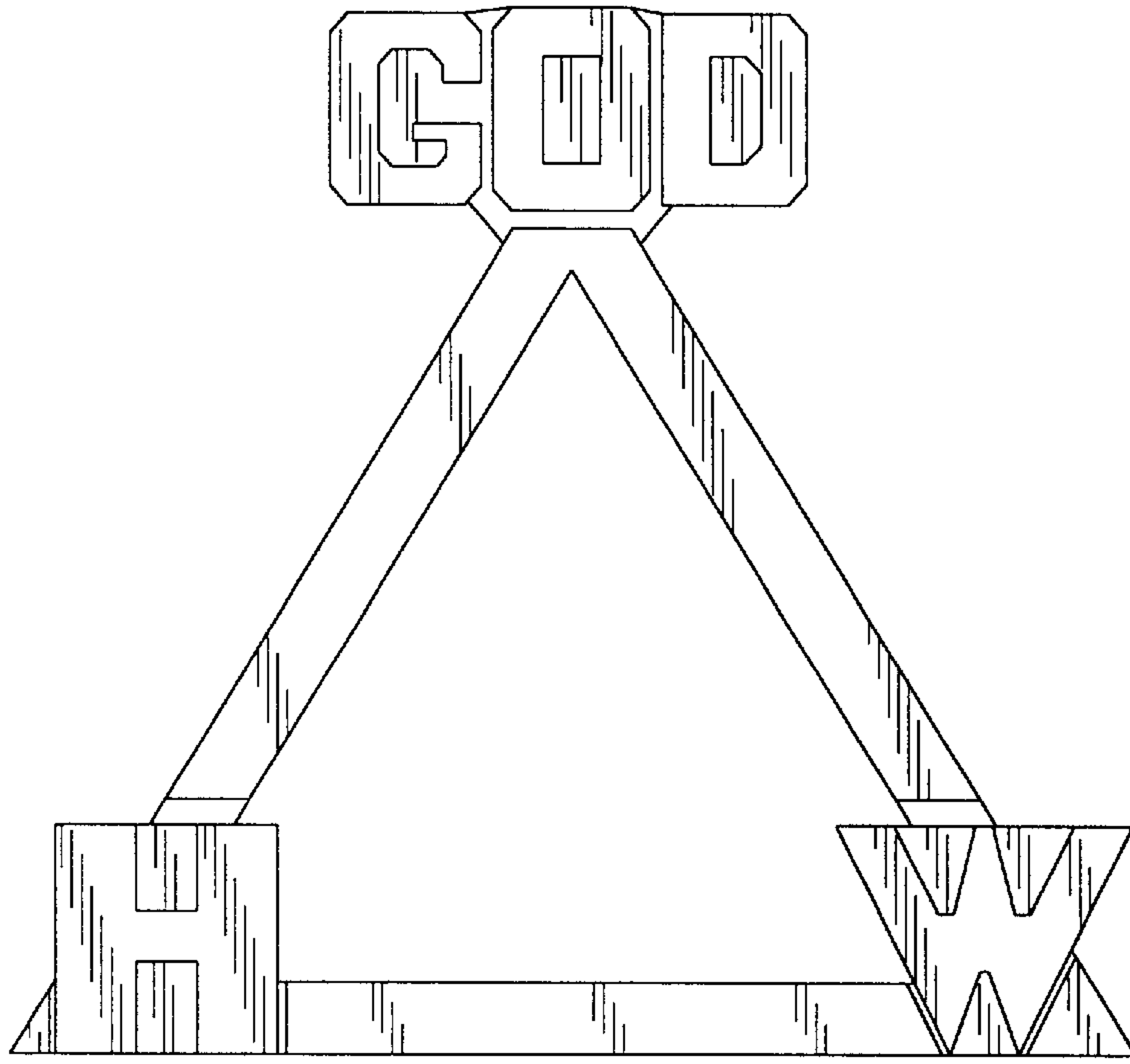


FIG. 3

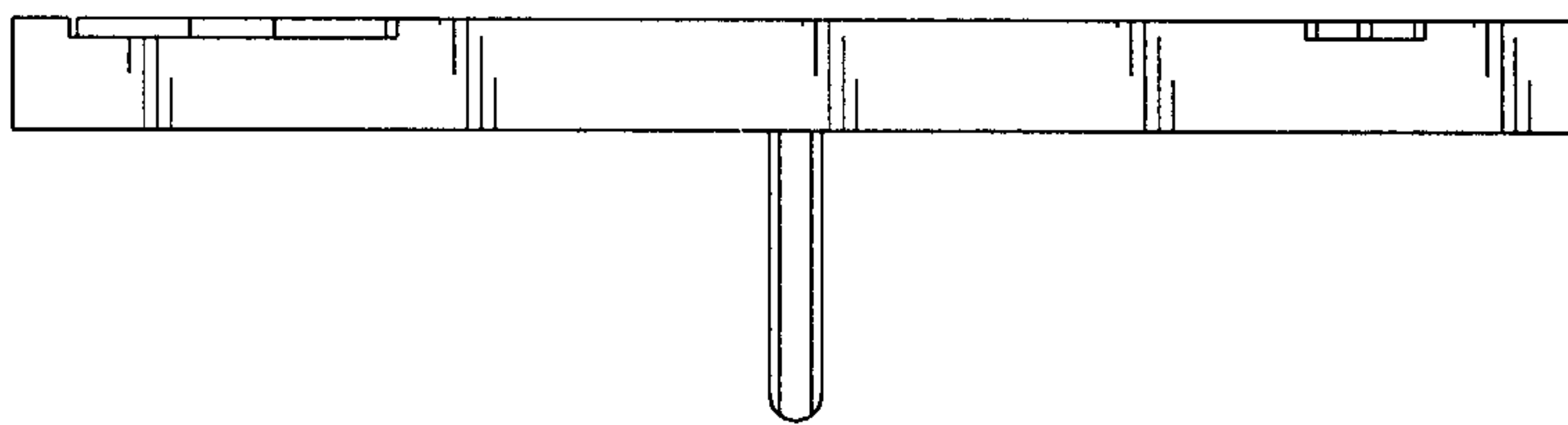


FIG. 4

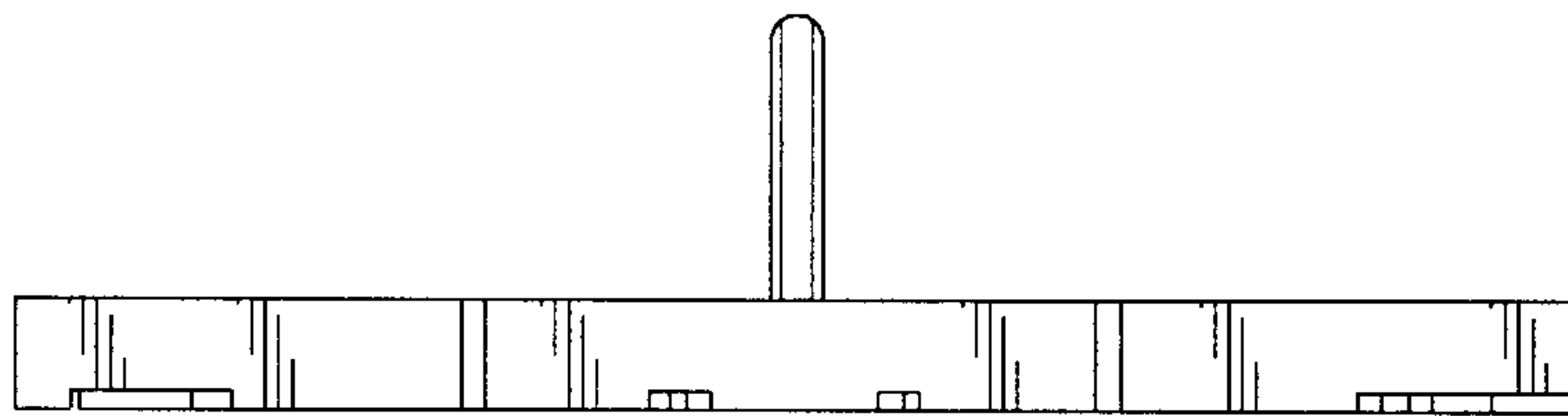


FIG. 5

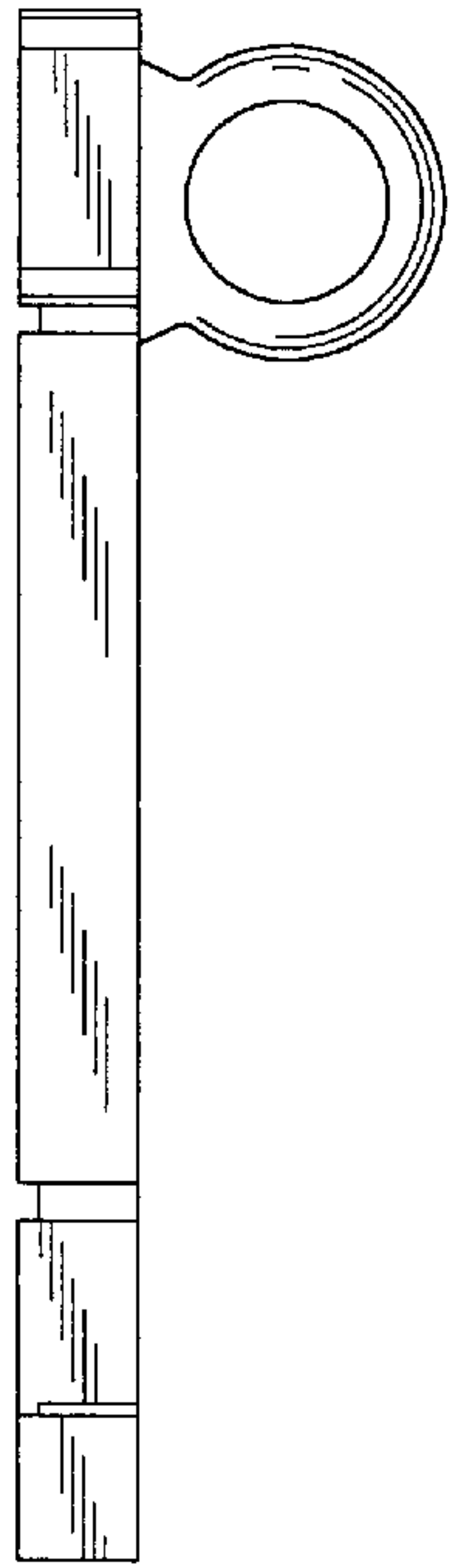


FIG. 6

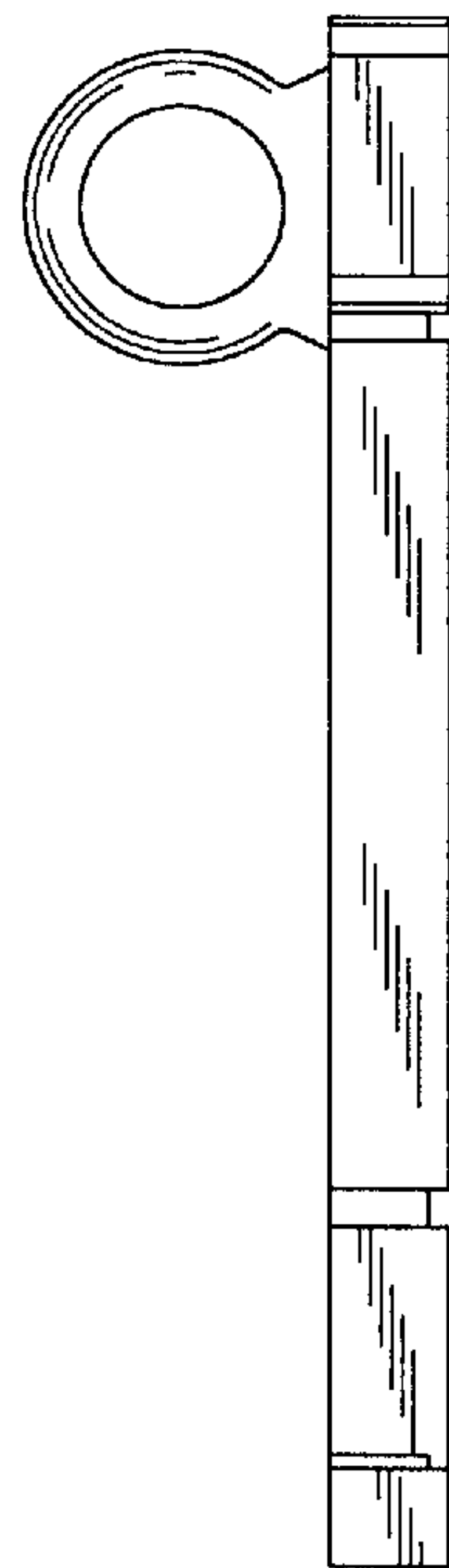


FIG. 7

