



US00D484063S

(12) **United States Design Patent**
Chen

(10) **Patent No.:** **US D484,063 S**

(45) **Date of Patent:** **** Dec. 23, 2003**

(54) **COMPUTER DEVICE HAVING
TEMPERATURE CONTROLLER AND
WIND-VELOCITY ADJUSTER**

Primary Examiner—Antoine Duval Davis
(74) *Attorney, Agent, or Firm*—Browdy and Neimark,
PLLC

(76) **Inventor:** **Jung-I Chen**, No. 7, Lane 33, Yung An
St., Yung Ho City, Taipei Hsien (TW)

(57) **CLAIM**

(**) **Term:** **14 Years**

The ornamental design for a “computer device having
temperature controller and wind-velocity adjuster”, as
shown and described.

(21) **Appl. No.:** **29/169,193**

(22) **Filed:** **Oct. 17, 2002**

DESCRIPTION

(51) **LOC (7) Cl.** **10-04**

FIG. 1 is a perspective view of a “computer device having
temperature controller and wind-velocity adjuster” showing
my new design;

(52) **U.S. Cl.** **D10/53; D10/49**

FIG. 2 is a front view thereof;

(58) **Field of Search** D10/46, 49–51,
D10/53; D24/356, 357; 361/715, 687, 692,
158, 704, 719, 686; 702/130–133; 374/10,
11, 100, 103, 112–114, 120, 145, 163

FIG. 3 is a rear view thereof;

FIG. 4 is a left side view thereof;

(56) **References Cited**

FIG. 5 is a right side view thereof;

U.S. PATENT DOCUMENTS

FIG. 6 is a top view thereof; and,

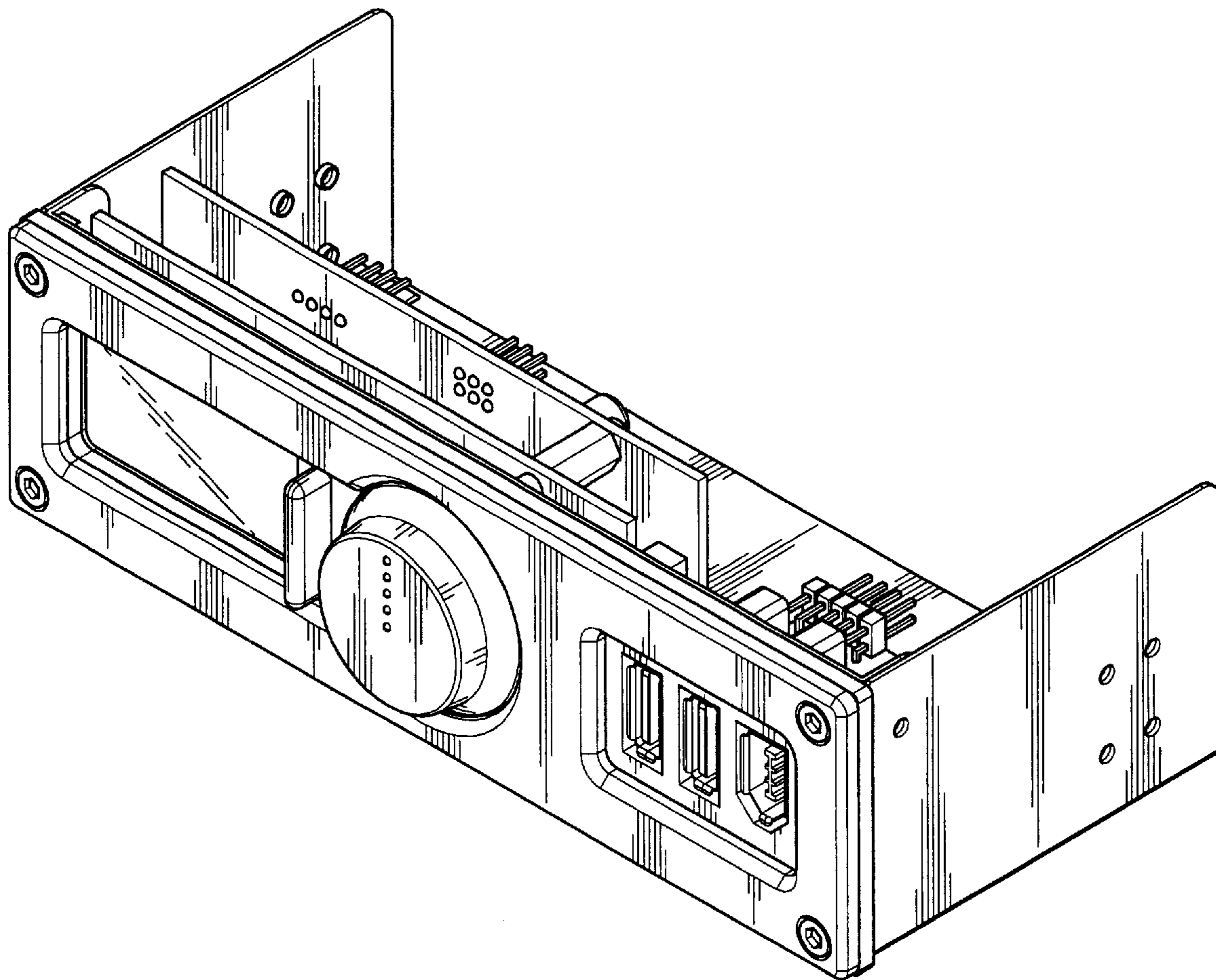
6,437,979 B1 * 8/2002 Unrein 361/687

FIG. 7 is a bottom view thereof.

6,570,760 B1 * 5/2003 Wang 361/687

* cited by examiner

1 Claim, 5 Drawing Sheets



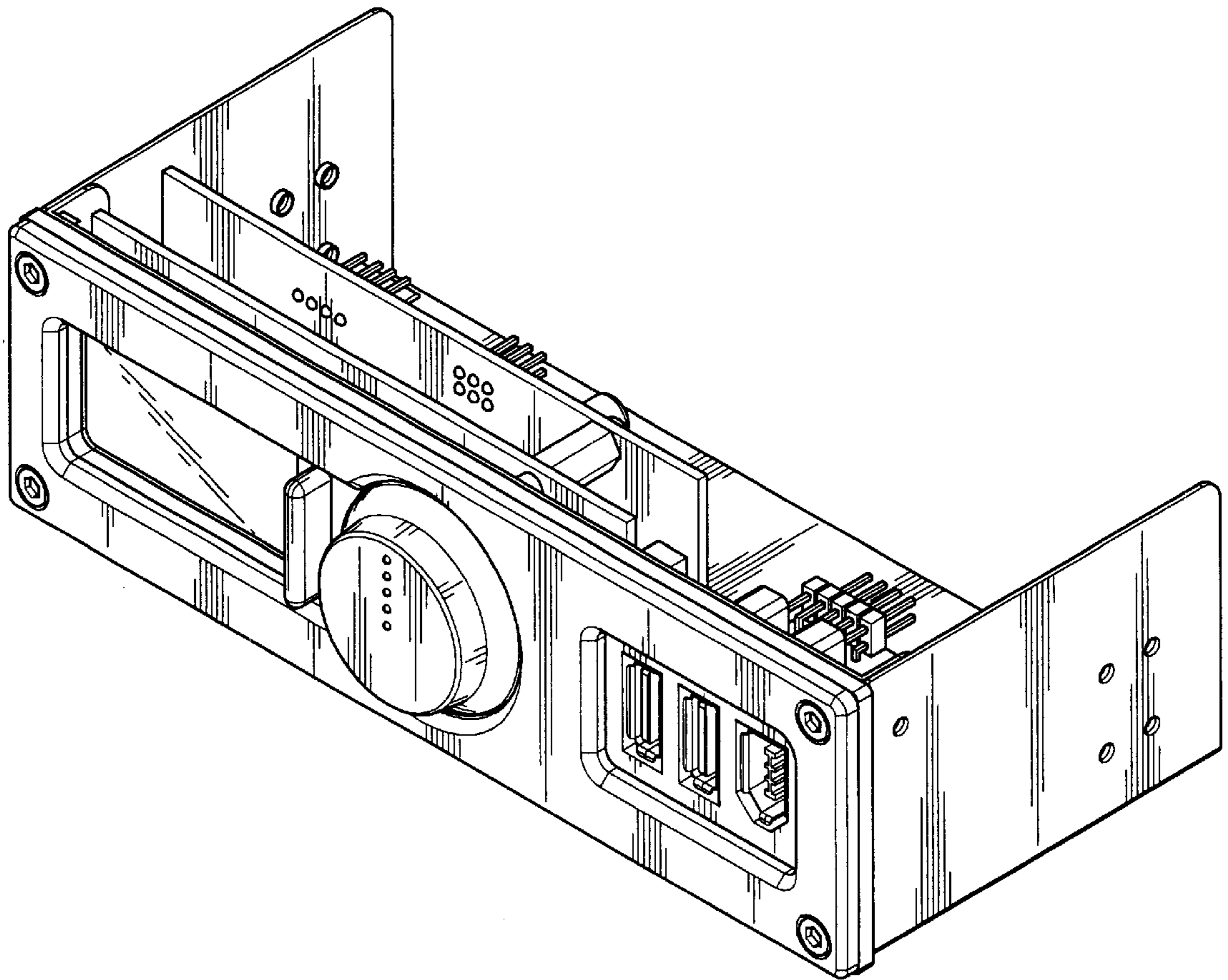


FIG. 1

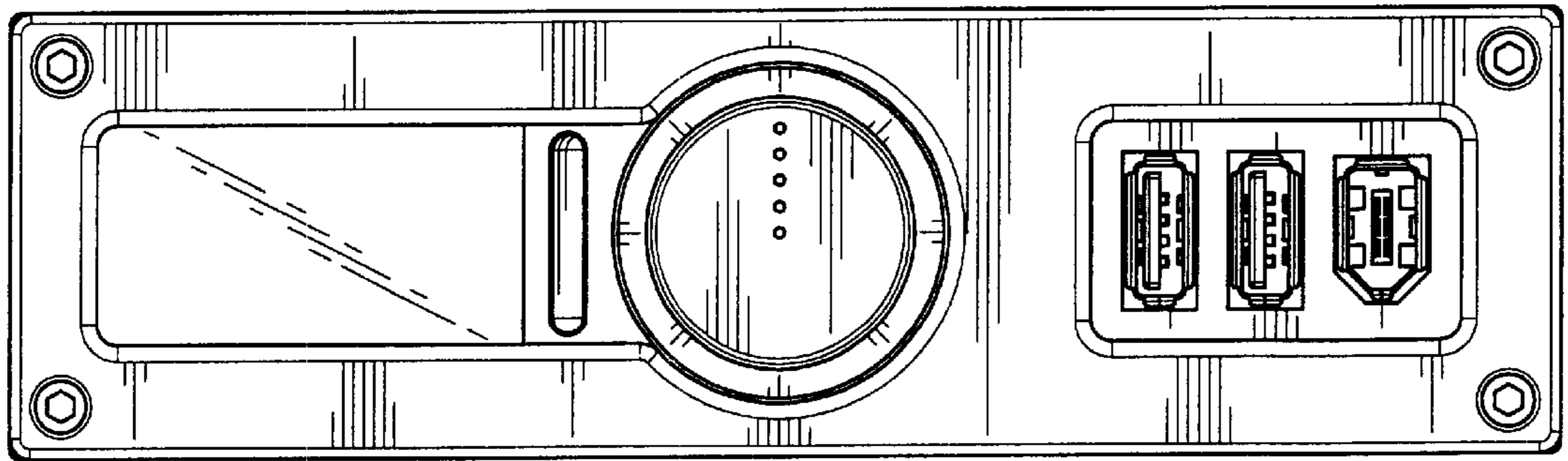


FIG. 2

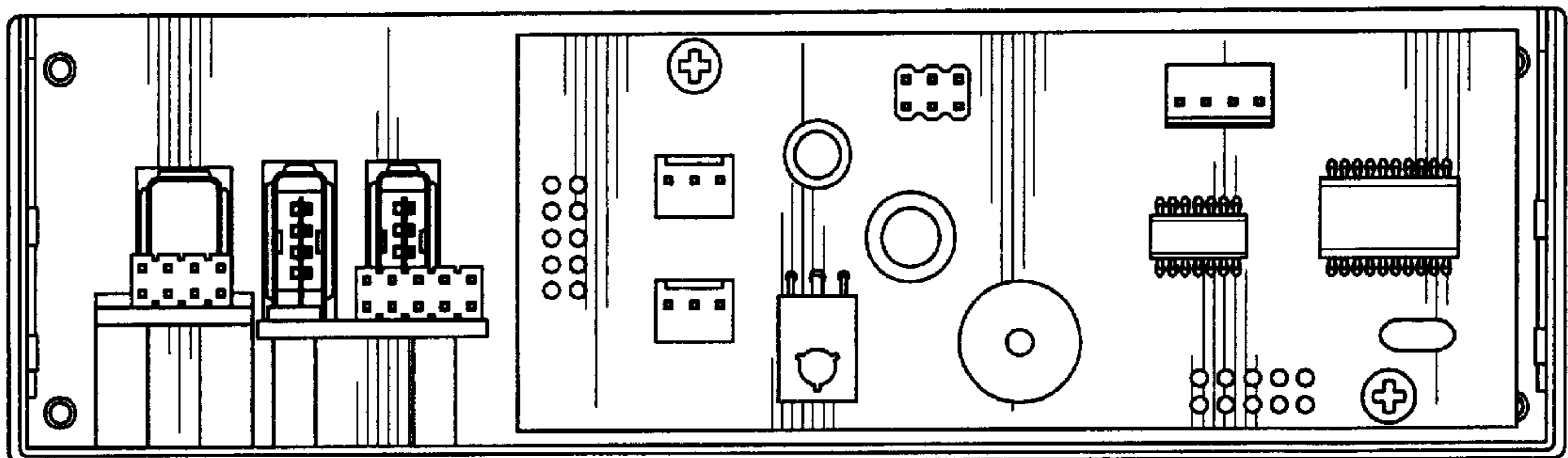


FIG. 3

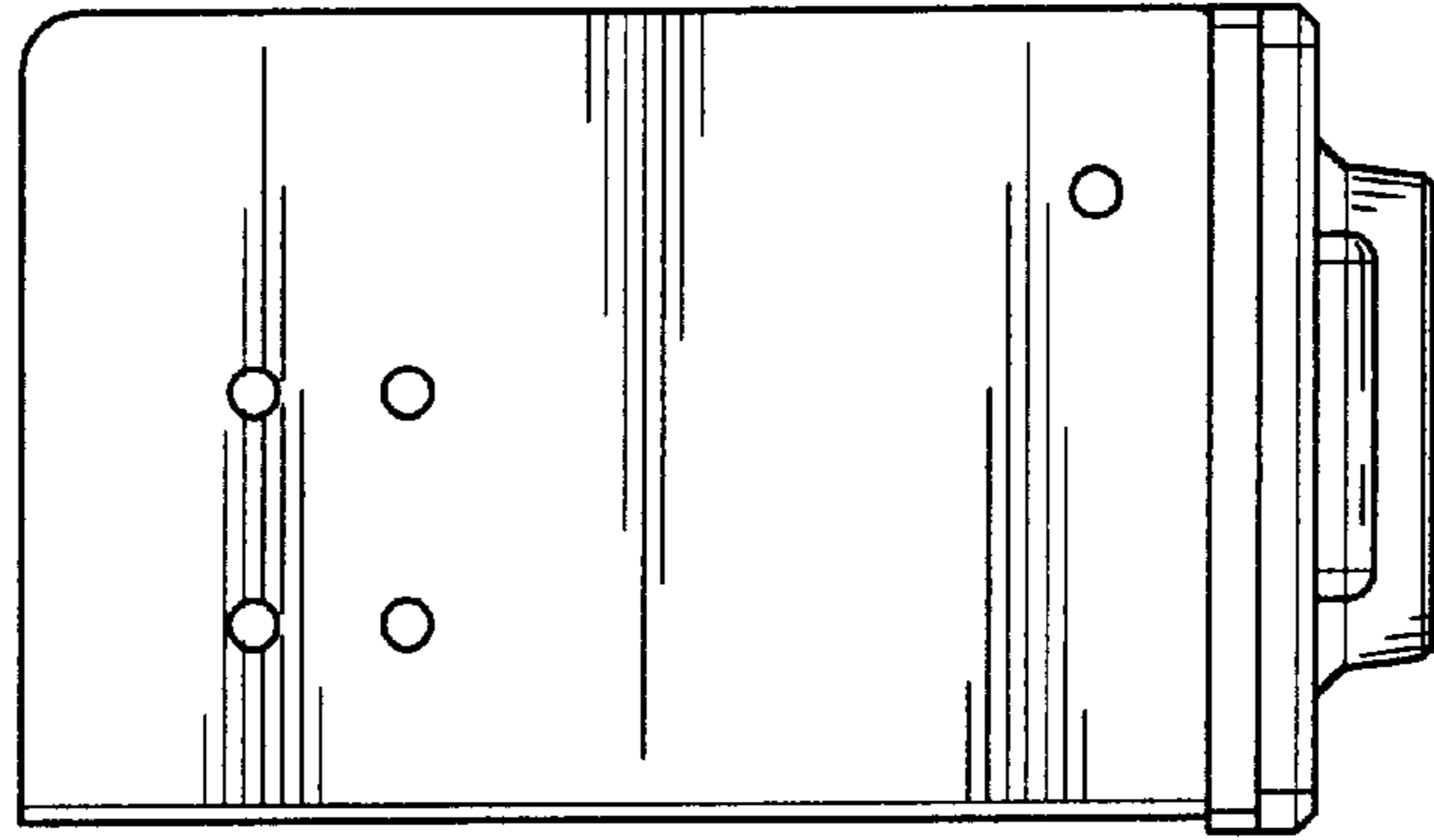


FIG. 4

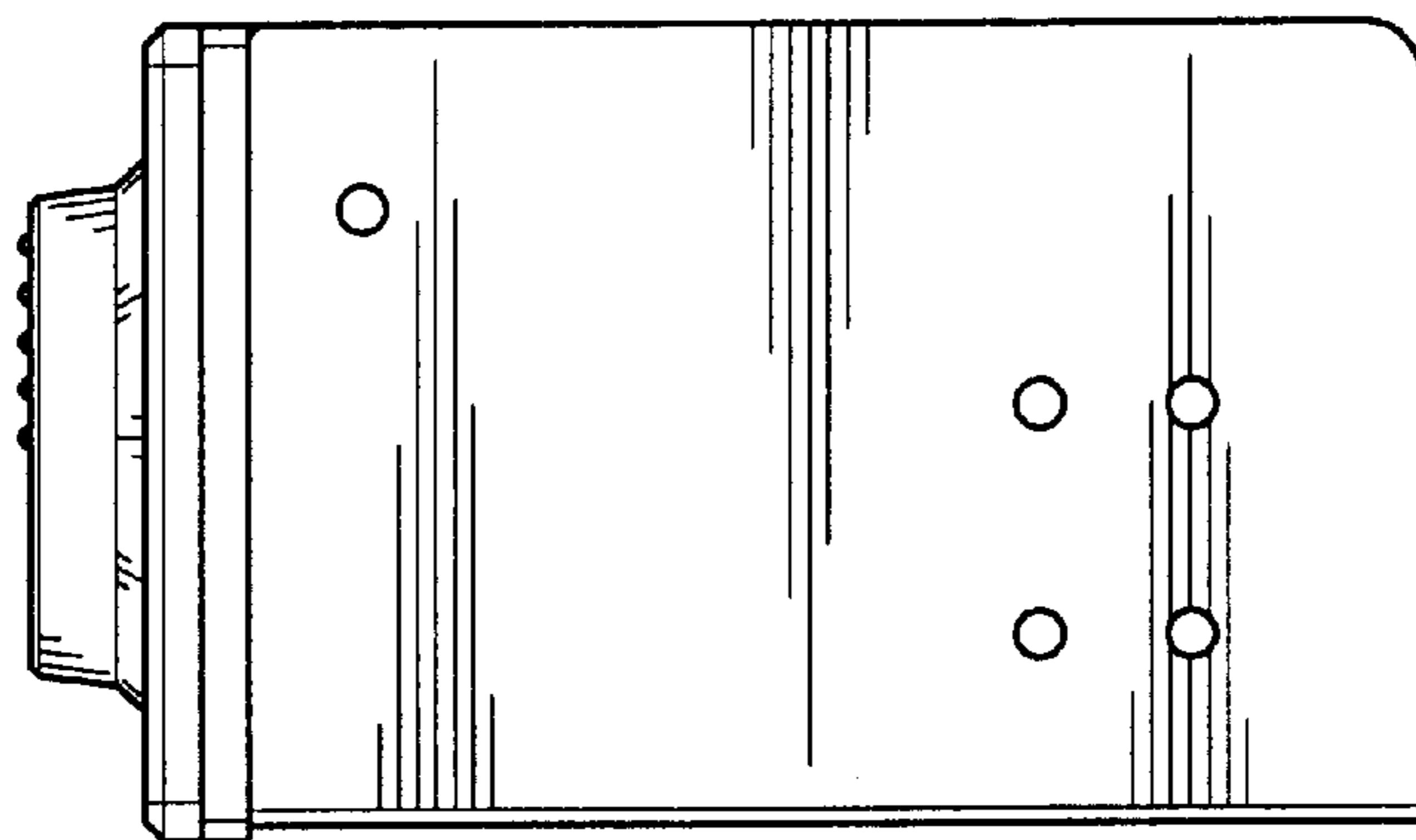


FIG. 5

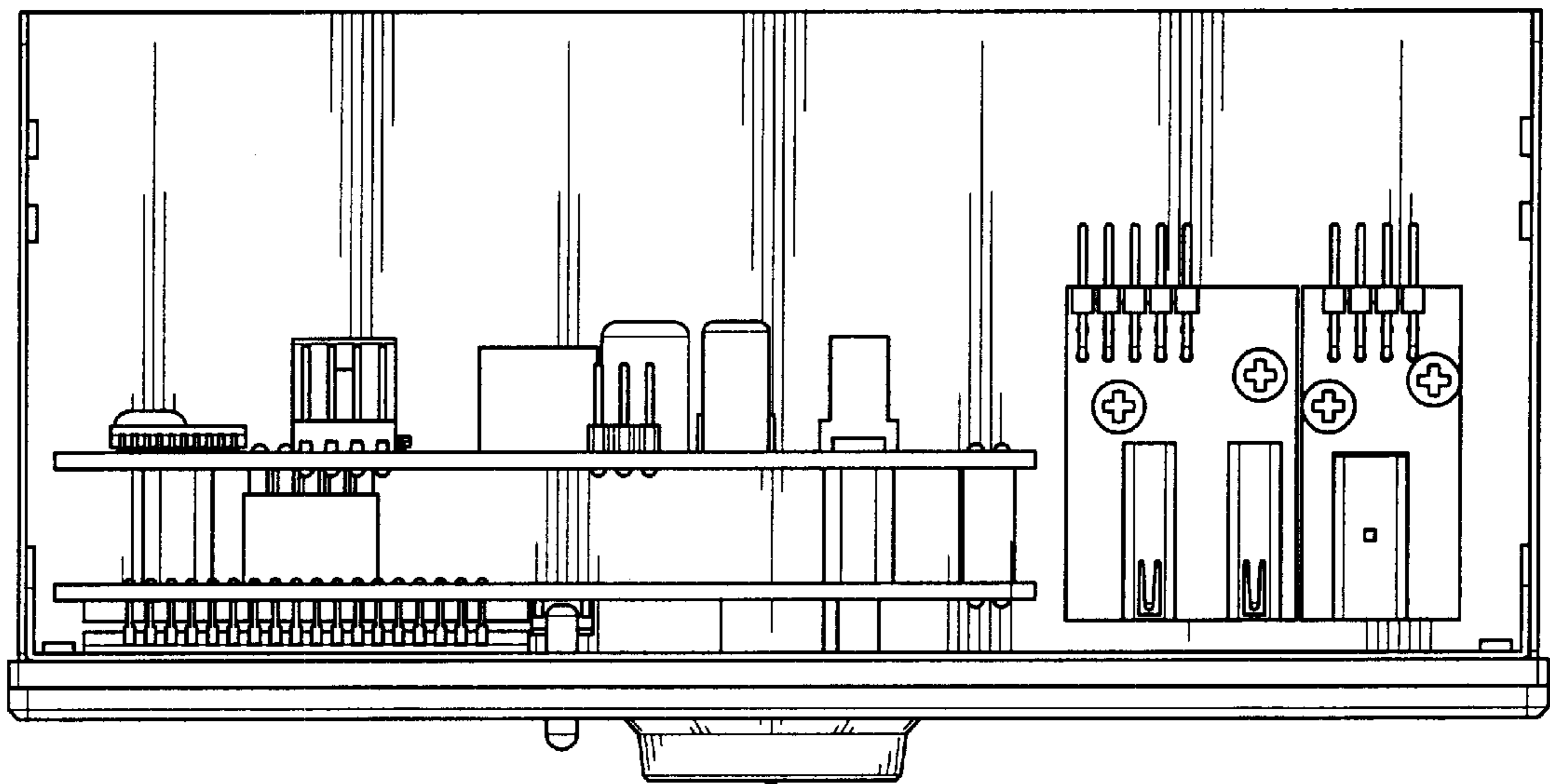


FIG. 6

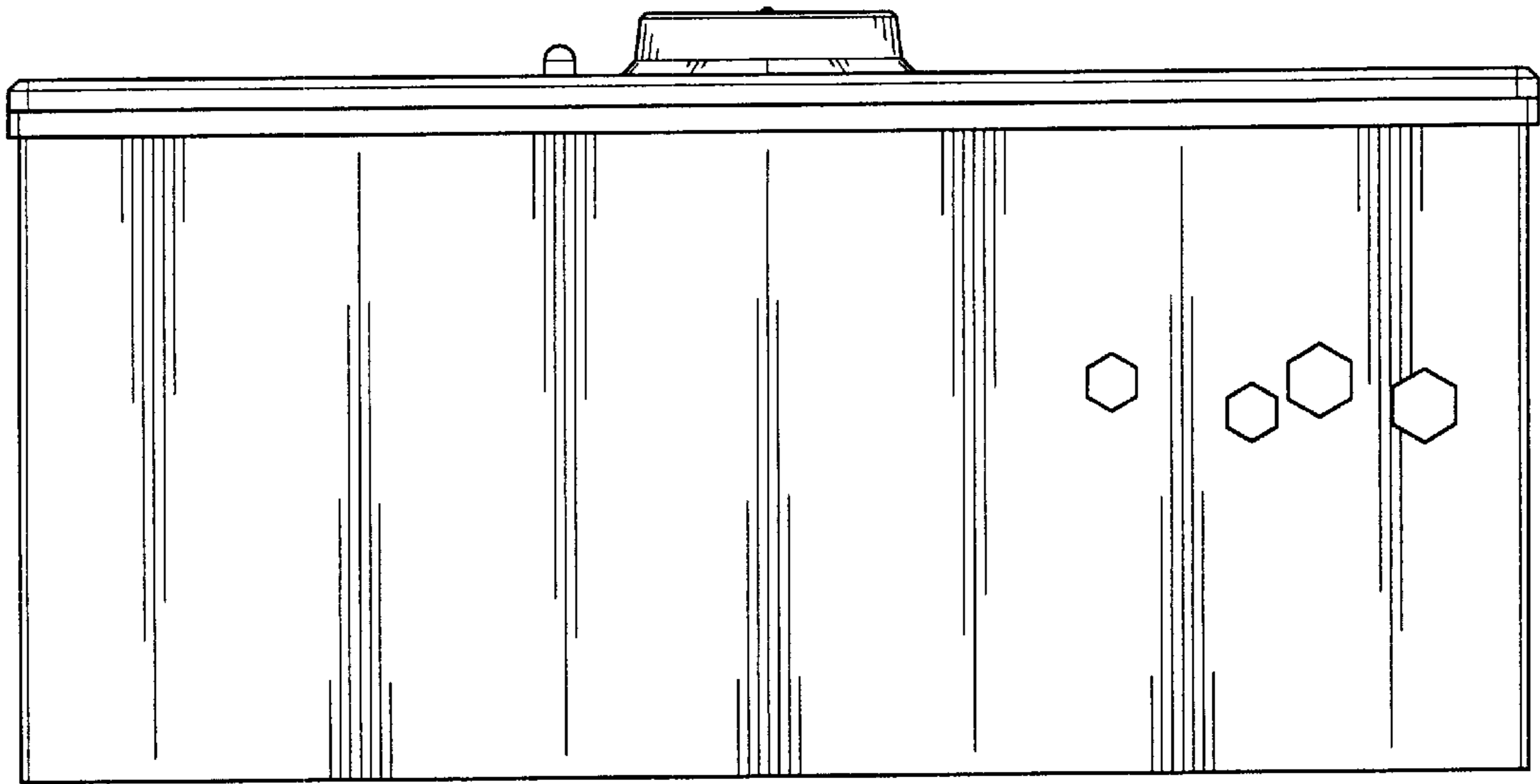


FIG. 7