



US00D484059S

(12) **United States Design Patent**  
**Romeo et al.**

(10) **Patent No.:** **US D484,059 S**

(45) **Date of Patent:** **\*\* Dec. 23, 2003**

(54) **CONTAINER**

(75) Inventors: **Derek J. Romeo**, Evanston, IL (US);  
**Edmund A. Weaver**, Oshkosh, WI (US)

(73) Assignee: **Kraft Foods Holdings, Inc.**, Northfield, IL (US)

(\*\*) Term: **14 Years**

4,116,350 A	9/1978	Allasia
4,117,946 A	10/1978	Kessler
D265,797 S	8/1982	Platte
D267,076 S	11/1982	Hurtig
4,372,455 A	2/1983	Cochran
4,387,816 A	6/1983	Weckman
4,493,427 A	1/1985	Wolkonsky
D285,538 S	9/1986	Trumstedt
D288,294 S	2/1987	Taylor et al.
4,703,871 A	11/1987	Broker
4,724,855 A	2/1988	Jackson et al.

(List continued on next page.)

(21) Appl. No.: **29/158,193**

(22) Filed: **Apr. 1, 2002**

(51) **LOC (7) Cl.** ..... **09-03**

(52) **U.S. Cl.** ..... **D9/531**

(58) **Field of Search** ..... D9/516, 517, 530,  
D9/531, 535, 537, 538, 539, 541, 543,  
559, 571, 575; 206/527, 822; 215/14, 40,  
316, 396, 398, 400; 220/569, 771, 890

**FOREIGN PATENT DOCUMENTS**

GB	2218395	11/1989
WO	WO 99/22994	5/1999

**OTHER PUBLICATIONS**

Four photographs containing seven containers available prior to the filing of the above-captioned application.

*Primary Examiner*—Nanda Bondade

*Assistant Examiner*—Daniel Bui

(74) *Attorney, Agent, or Firm*—Fitch, Even, Tabin & Flannery

(56) **References Cited**

**U.S. PATENT DOCUMENTS**

684,069 A	10/1901	Knorr	
D44,495 S	* 8/1913	Puetz	
D93,526 S	10/1934	Smith	
D110,180 S	* 6/1938	Jackson	
D129,158 S	8/1941	Dexter	
D134,077 S	* 3/1942	Clark	
2,428,588 A	10/1947	Schroeder et al.	
D160,516 S	10/1950	Marsh	
D178,273 S	* 7/1956	Blunt	..... D9/541
D205,967 S	10/1966	Platte	
D213,821 S	4/1969	Platte	
3,536,223 A	10/1970	Muhlhoff et al.	
3,537,498 A	11/1970	St. Amand	
D221,516 S	8/1971	Crisci	
3,700,146 A	10/1972	Cousins et al.	
D226,552 S	* 3/1973	Smythe	..... D9/1
D229,670 S	12/1973	Platte	
D236,688 S	9/1975	McCaleb	
3,923,178 A	12/1975	Welker, III	
D238,654 S	2/1976	Platte	
D244,579 S	6/1977	Dinand	
D244,912 S	7/1977	Zamora Conesa	

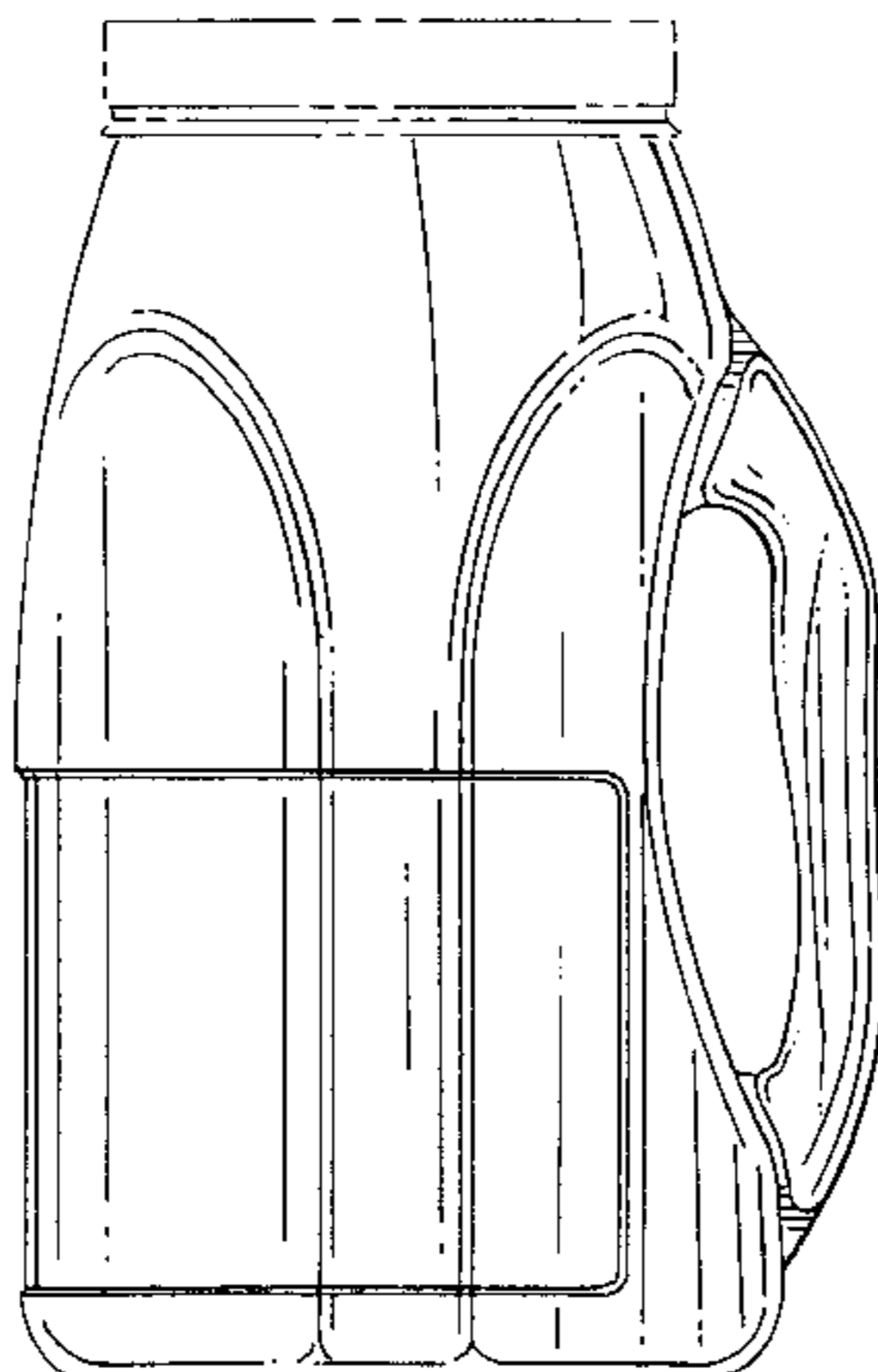
(57) **CLAIM**

The ornamental design for a container, as shown and described.

**DESCRIPTION**

FIG. 1 is a front elevation view showing an embodiment of our new design, comprising a container;  
FIG. 2 is a right side elevational view of the container of FIG. 1, the left side elevational view being the mirror image thereof;  
FIG. 3 is a bottom plan view of the container of FIG. 1;  
FIG. 4 is a top plan view of the container of FIG. 1; and,  
FIG. 5 is a back elevational view of the container of FIG. 1. Portions of the container are shown in broken lines in FIGS. 1-5 for illustrative purposes only and form no part of the claimed design.

**1 Claim, 3 Drawing Sheets**



# US D484,059 S

Page 2

## U.S. PATENT DOCUMENTS

4,749,092 A	6/1988	Sugiura et al.	5,261,544 A	11/1993	Weaver, Jr.
4,804,097 A	2/1989	Alberghini et al.	5,318,787 A	6/1994	Brauner et al.
4,805,788 A	2/1989	Akiho	5,392,950 A	2/1995	Foss et al.
4,863,046 A	9/1989	Collette et al.	D358,992 S	6/1995	Beaver
4,877,141 A	10/1989	Hayashi et al.	5,524,787 A	6/1996	Blake et al.
4,890,752 A	1/1990	Ota et al.	D391,854 S	3/1998	Ankney et al.
4,946,053 A	8/1990	Conrad	5,862,941 A	1/1999	Jones
4,993,565 A	2/1991	Ota et al.	D423,366 S	4/2000	Gans
D318,228 S	7/1991	Schlesselman	6,053,345 A	4/2000	Jones
D319,658 S *	9/1991	Yamamoto et al. .... D18/43	6,059,153 A	5/2000	Olson et al.
D320,455 S *	10/1991	Malcolm ..... D24/199	D426,164 S	6/2000	Gans et al.
5,092,474 A	3/1992	Leigner	D426,469 S	6/2000	Mankowski et al.
5,123,554 A	6/1992	Arvidson et al.	D427,076 S	6/2000	Ankney et al.
5,141,120 A	8/1992	Brown et al.	D428,817 S	8/2000	Olson et al.
5,148,930 A	9/1992	Ota et al.	D435,455 S	12/2000	Gans
D332,747 S	1/1993	Darr et al.	D448,671 S	10/2001	Gans et al.
D333,704 S *	3/1993	Malcolm ..... D24/197	D448,675 S	10/2001	Thierjung

\* cited by examiner

FIG. 1

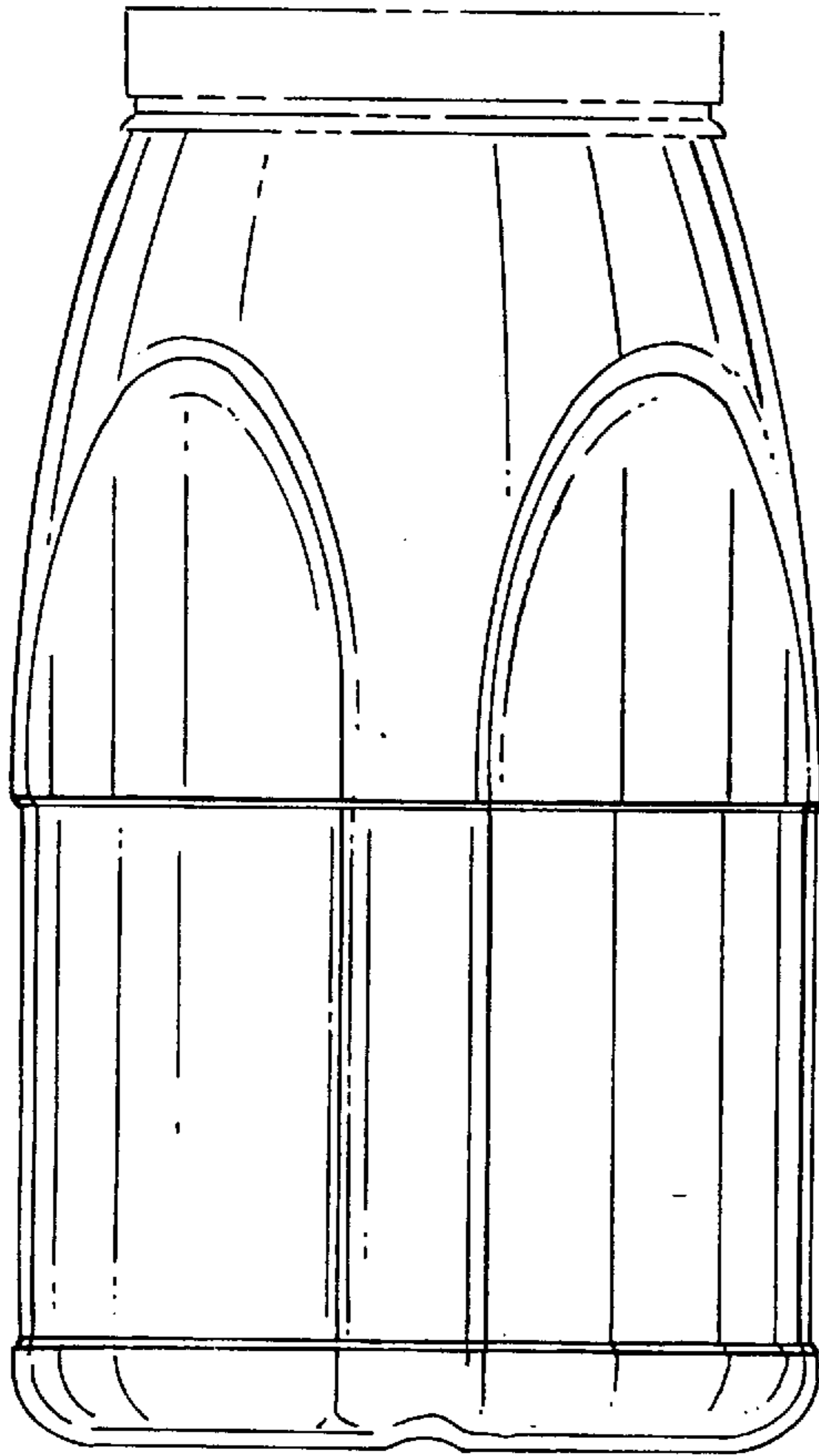


FIG. 2

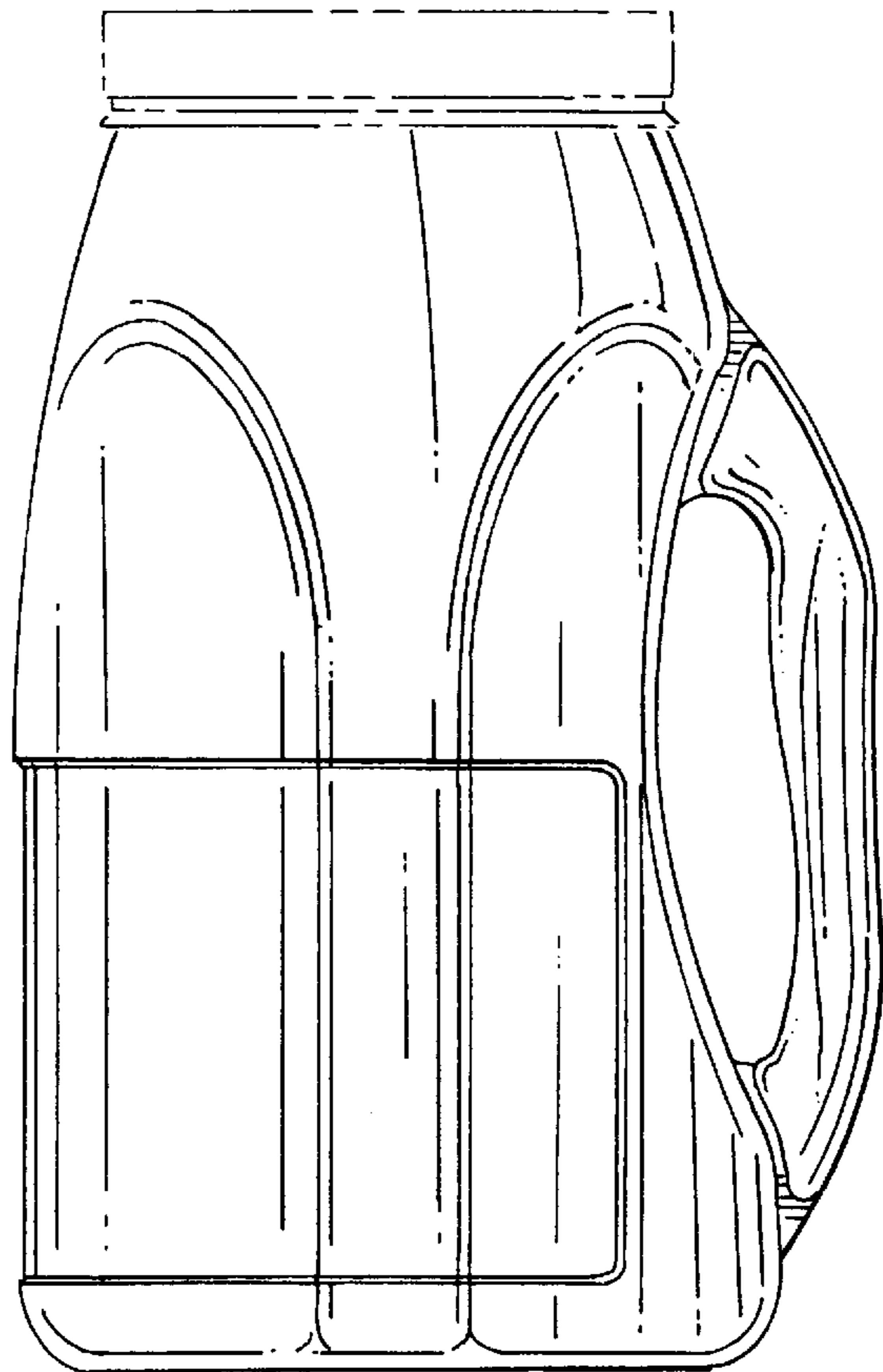


FIG. 3

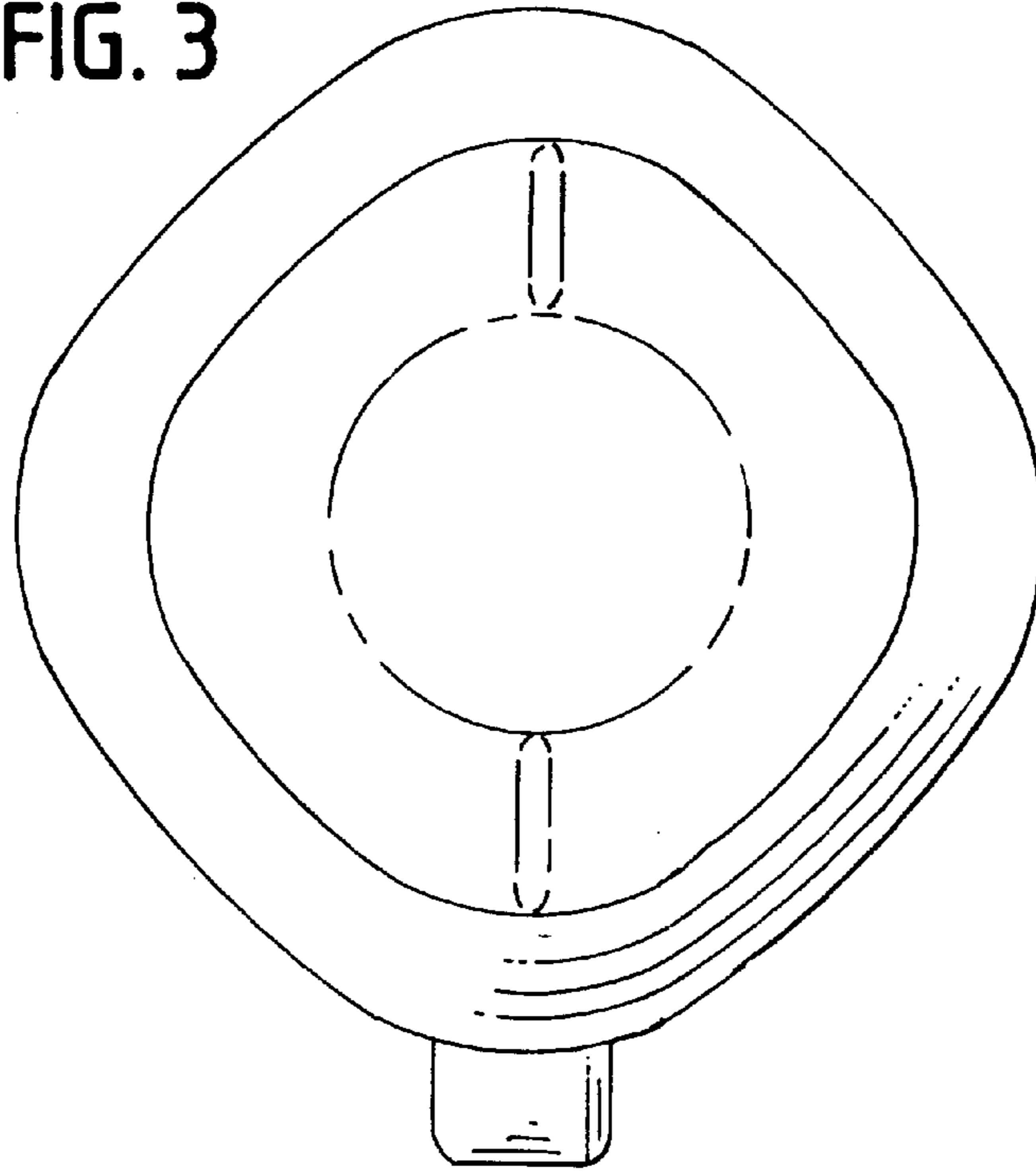


FIG. 4

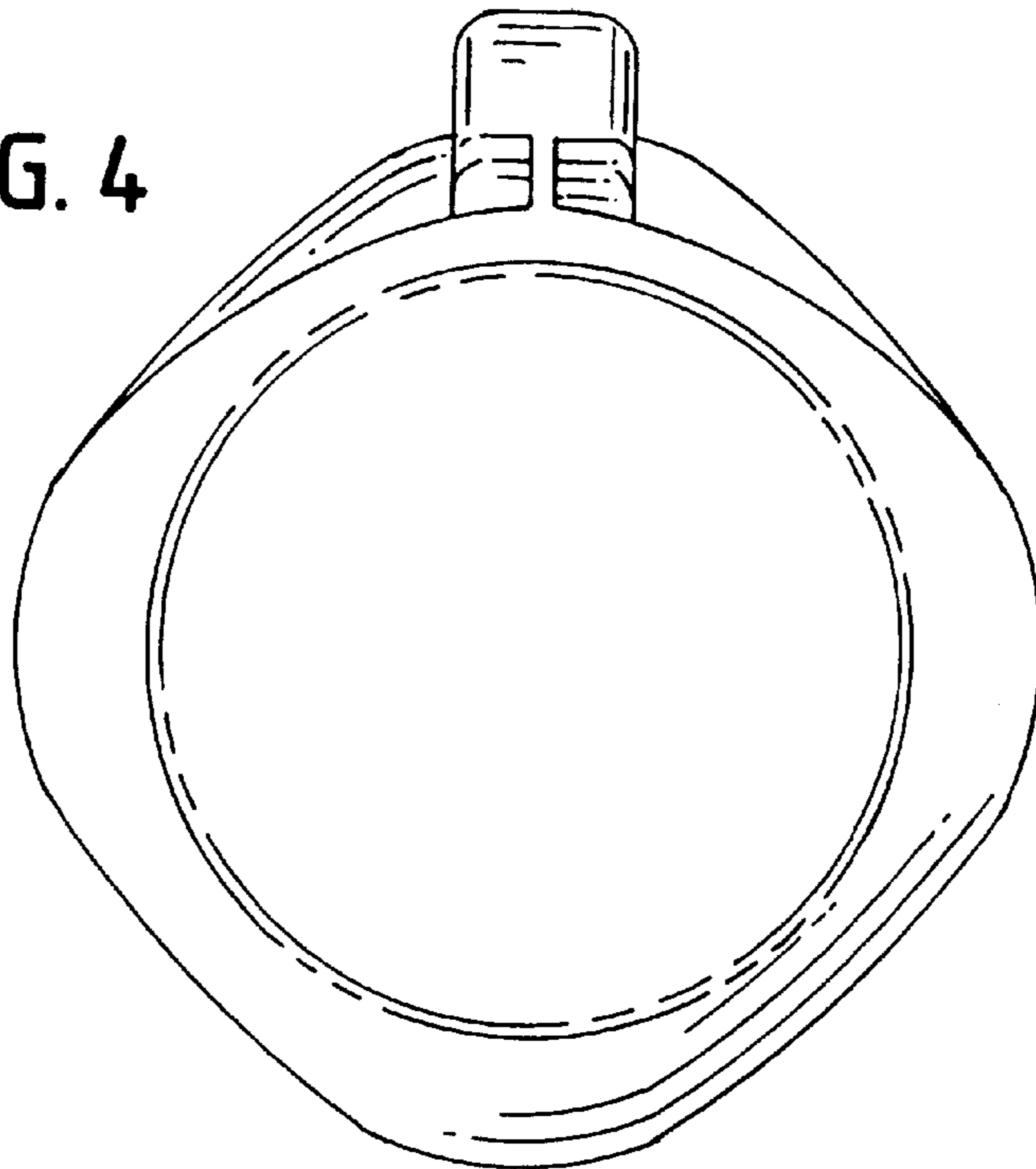


FIG. 5

