



US00D484050S

(12) **United States Design Patent**
Key

(10) **Patent No.:** **US D484,050 S**

(45) **Date of Patent:** **** Dec. 23, 2003**

(54) **PAINT CAN LID**

(76) **Inventor:** **David W. Key**, 2464 S. Lomax Rd.,
Roaring River, NC (US) 28669

(**) **Term:** **14 Years**

(21) **Appl. No.:** **29/176,333**

(22) **Filed:** **Feb. 24, 2003**

(51) **LOC (7) Cl.** **09-07**

(52) **U.S. Cl.** **D9/449; D9/447; D9/446**

(58) **Field of Search** D9/434-436, 439,
D9/447, 451, 446, 449; 222/545, 481, 517,
556, 563, 570; 220/375, 306, 352, 356,
733, 202; D23/206; D32/53, 53.1, 54

(56) **References Cited**

U.S. PATENT DOCUMENTS

221,057 A * 10/1879 Hall, Jr. 222/545
1,409,812 A * 3/1922 Anderson 222/481
D163,967 S * 7/1951 Rosset D23/206

D326,819 S * 6/1992 Border D9/447
D327,648 S * 7/1992 Cane D9/436

* cited by examiner

Primary Examiner—Louis S. Zarfes

Assistant Examiner—Gregory Andoll

(74) *Attorney, Agent, or Firm*—Peter A. Borsari

(57) **CLAIM**

The ornamental design for a paint can lid, as shown and described.

DESCRIPTION

FIG. 1 is a perspective view showing a new design for a paint can lid;

FIG. 2 is a side view thereof;

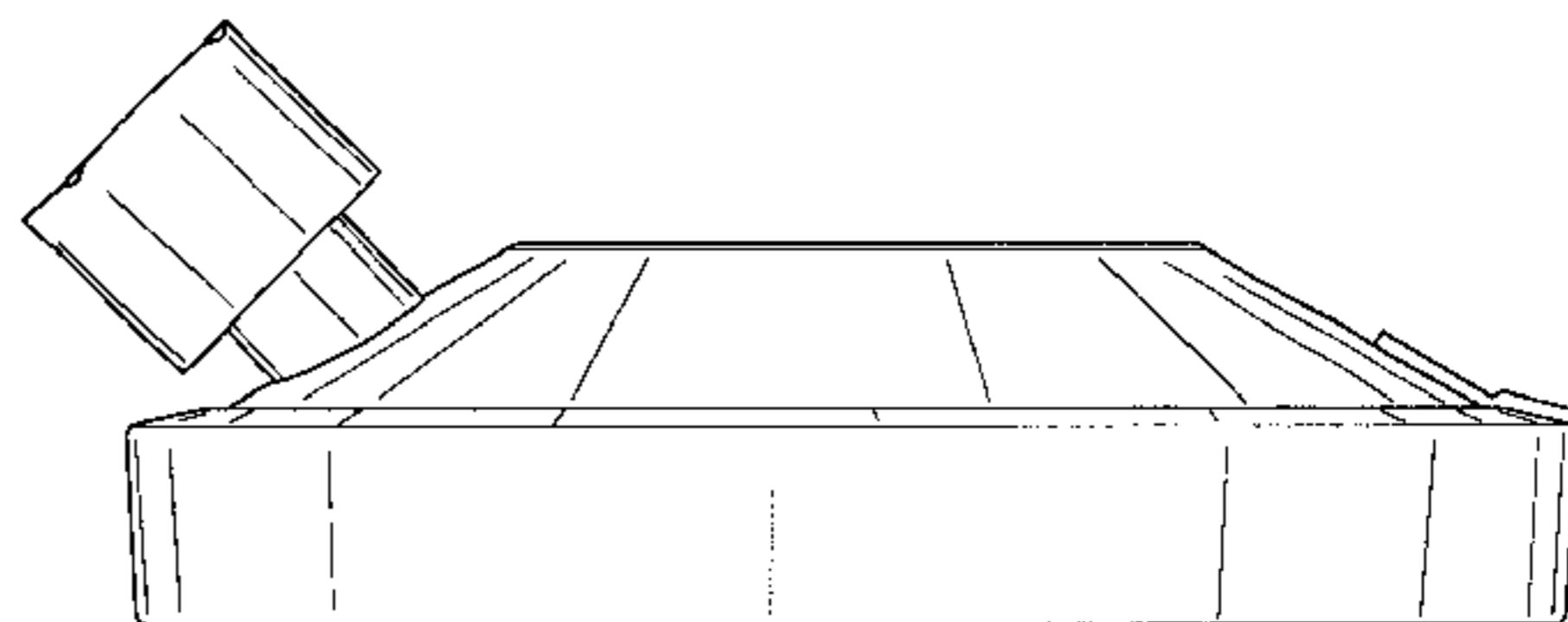
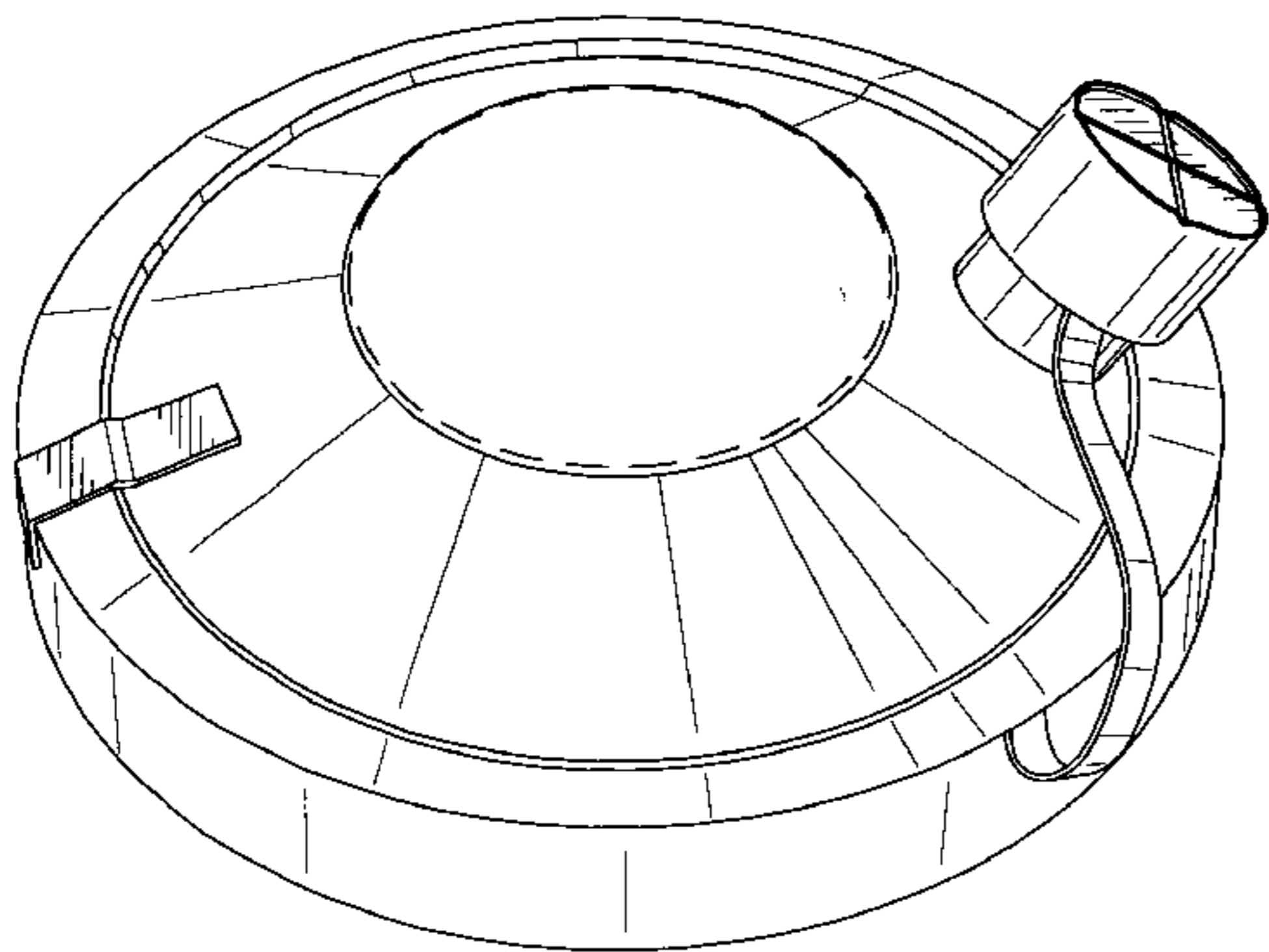
FIG. 3 is a front view thereof;

FIG. 4 is a rear view thereof; and,

FIG. 5 is a top view thereof.

The broken lines in the Figures are for illustrative purposes only and form no part of the claimed design.

1 Claim, 2 Drawing Sheets



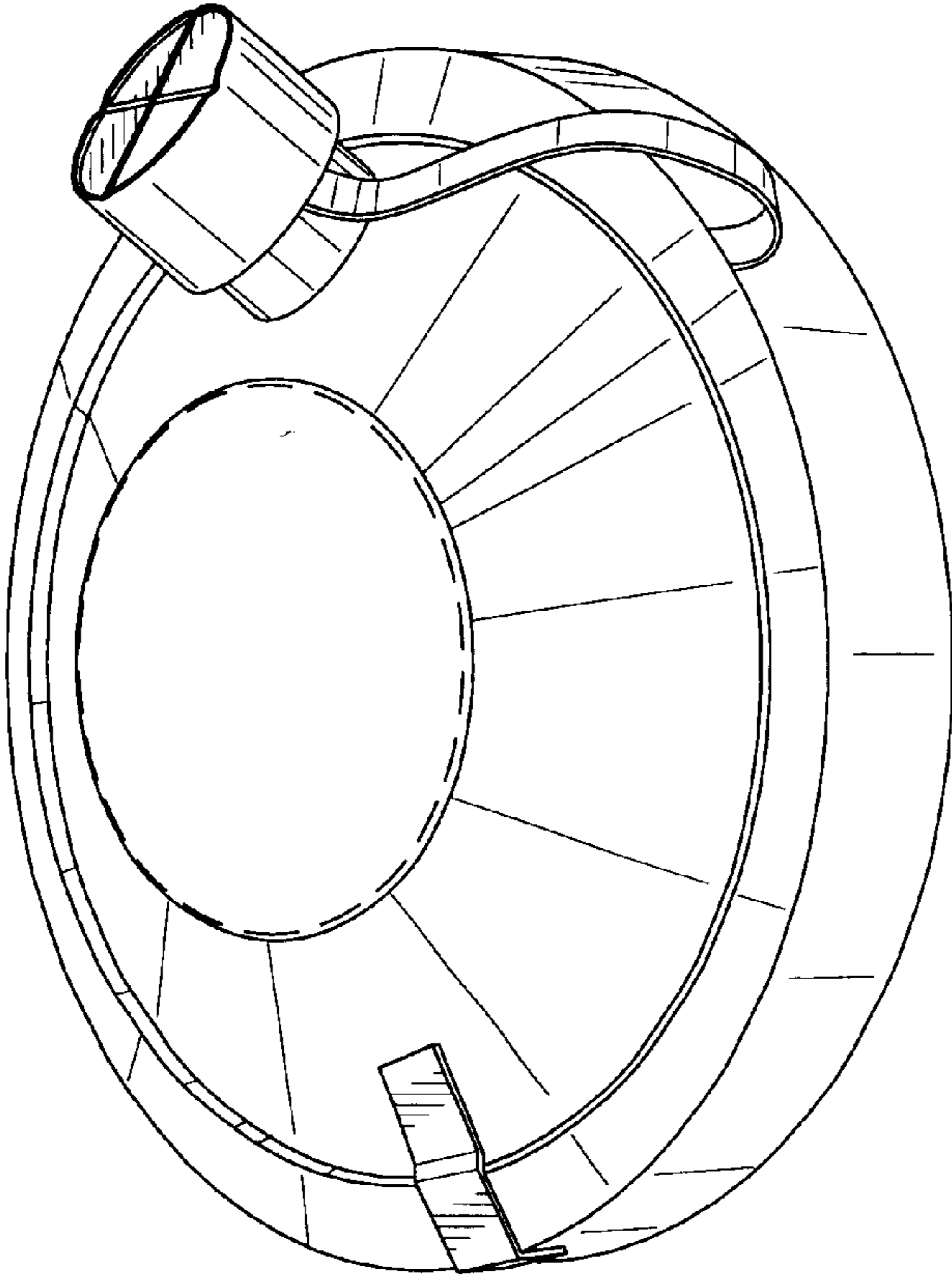


FIG. 1

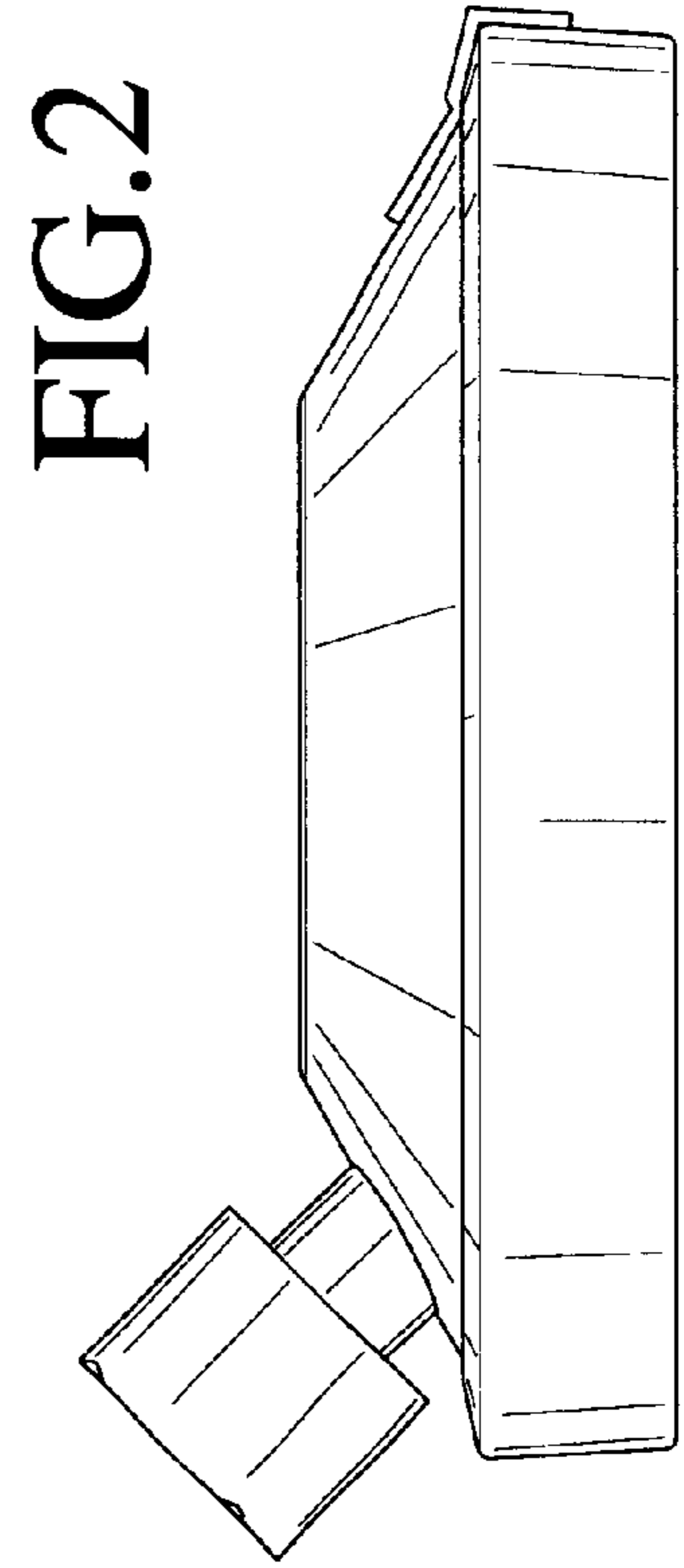


FIG. 2

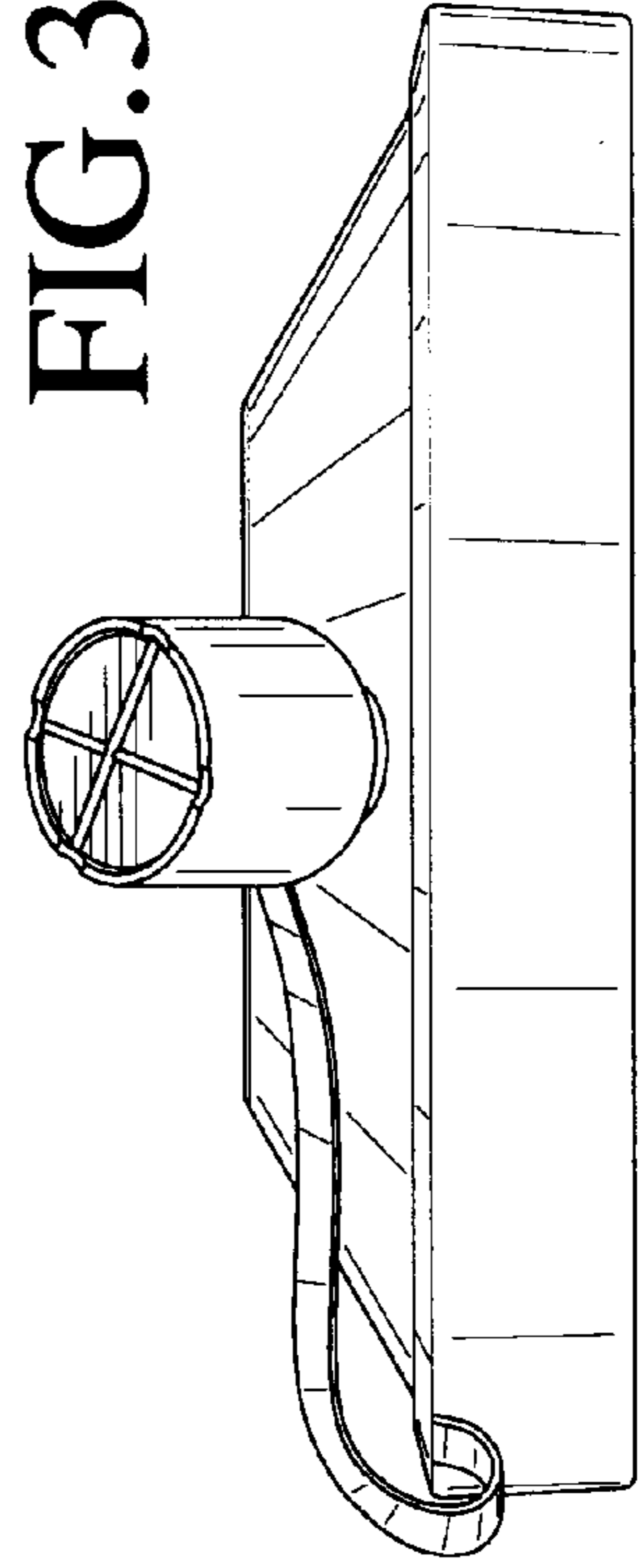


FIG. 3

FIG.4

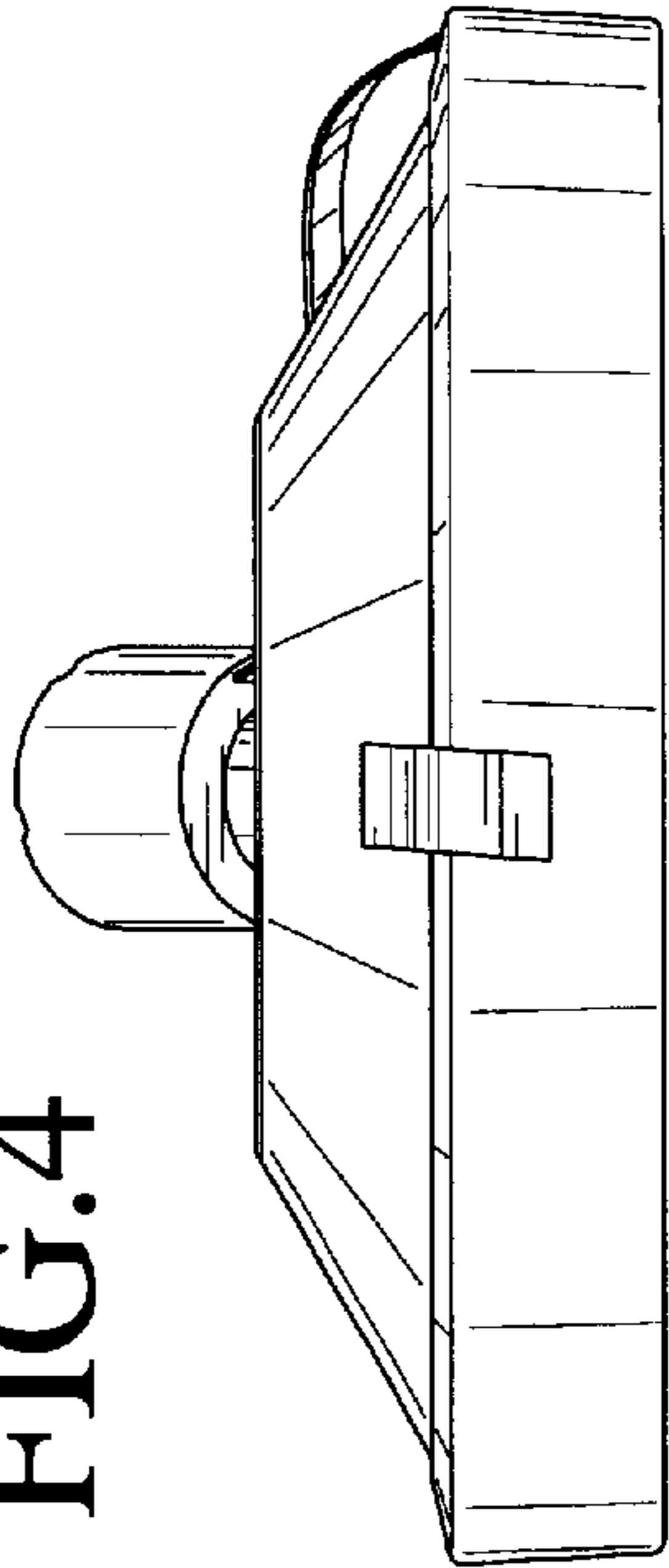


FIG.5

