



US00D484049S

(12) **United States Design Patent**
Steck et al.

(10) **Patent No.:** **US D484,049 S**

(45) **Date of Patent:** **** Dec. 23, 2003**

(54) **DISPOSABLE FOOD CUTTING UTENSIL**

(76) Inventors: **John Edward Steck**, 872 S. Milwaukee
PMB264, Libertyville, IL (US) 60048;
Robert Hamilton, 14 Sextant Dr.,
Grayslake, IL (US) 60030; **James**
Martin, 784 Wortham Dr., Mundelein,
IL (US) 60060

(**) Term: **14 Years**

(21) Appl. No.: **29/169,510**

(22) Filed: **Oct. 22, 2002**

(51) **LOC (7) Cl.** **09-07**

(52) **U.S. Cl.** **D9/434; D9/449**

(58) **Field of Search** D9/434, 499; D7/601,
D7/693, 694; 30/306, 307, 319, 314, 315,
292, 299; 229/199; 206/525, 541; 426/124

(56) **References Cited**

U.S. PATENT DOCUMENTS

4,877,609 A * 10/1989 Beck et al. 426/124

D307,094 S * 4/1990 Belokin et al. D7/694

5,077,050 A * 12/1991 Wall 426/124

D330,665 S * 11/1992 Neuendorf D7/693

D469,016 S * 1/2003 Bambino D9/499

D474,081 S * 5/2003 Rather et al. D7/694

* cited by examiner

Primary Examiner—Louis S. Zarfes

Assistant Examiner—Gregory Andoll

(57) **CLAIM**

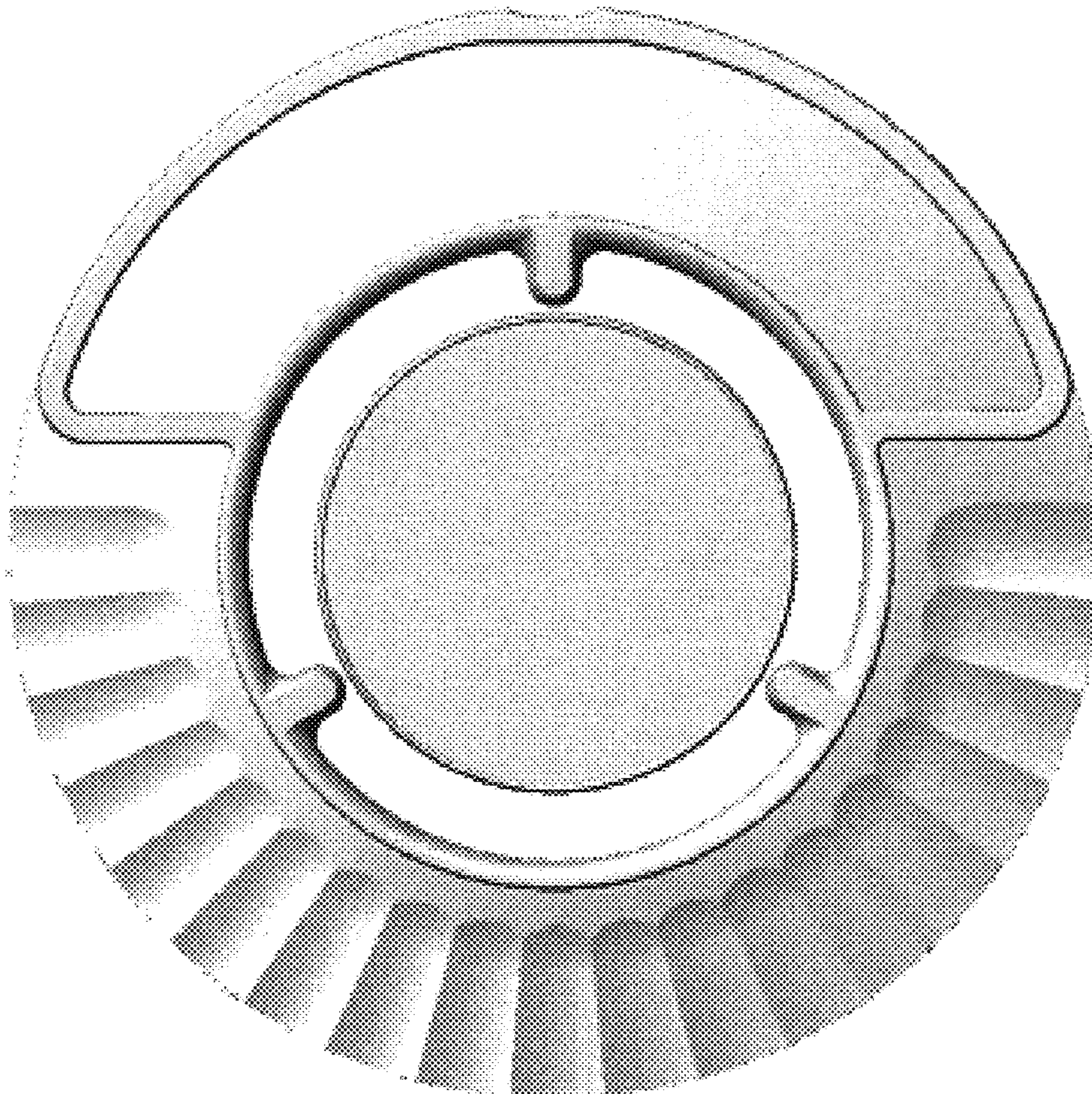
The ornamental design for a disposable food cutting utensil,
as shown and described.

DESCRIPTION

FIG. 1 is an orthographic top view of the utensil design;
FIG. 2 is an isometric view of the top of the utensil design;
and,

FIG. 3 is an isometric view of the bottom of the utensil
design.

1 Claim, 1 Drawing Sheet



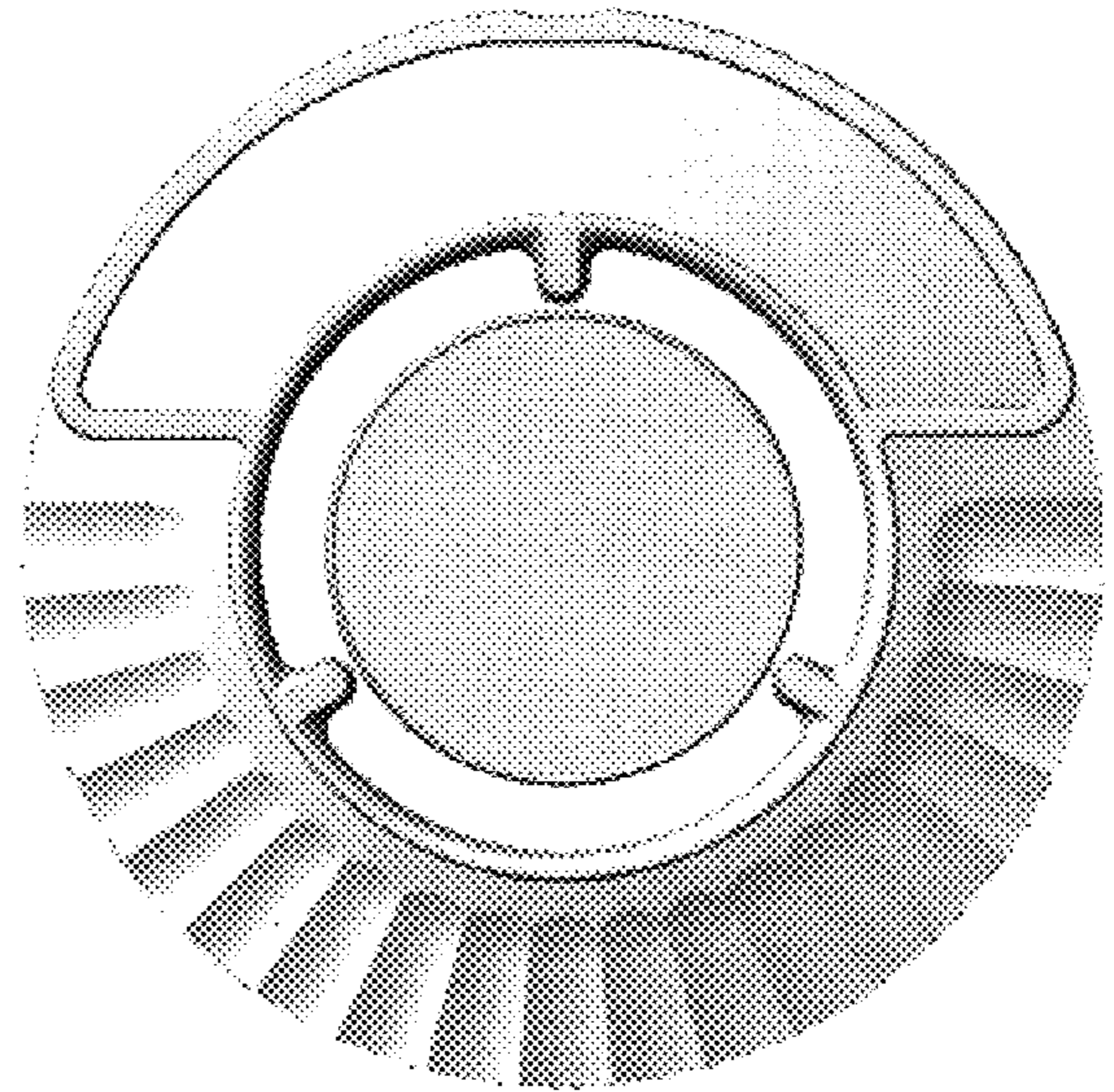


Figure 1

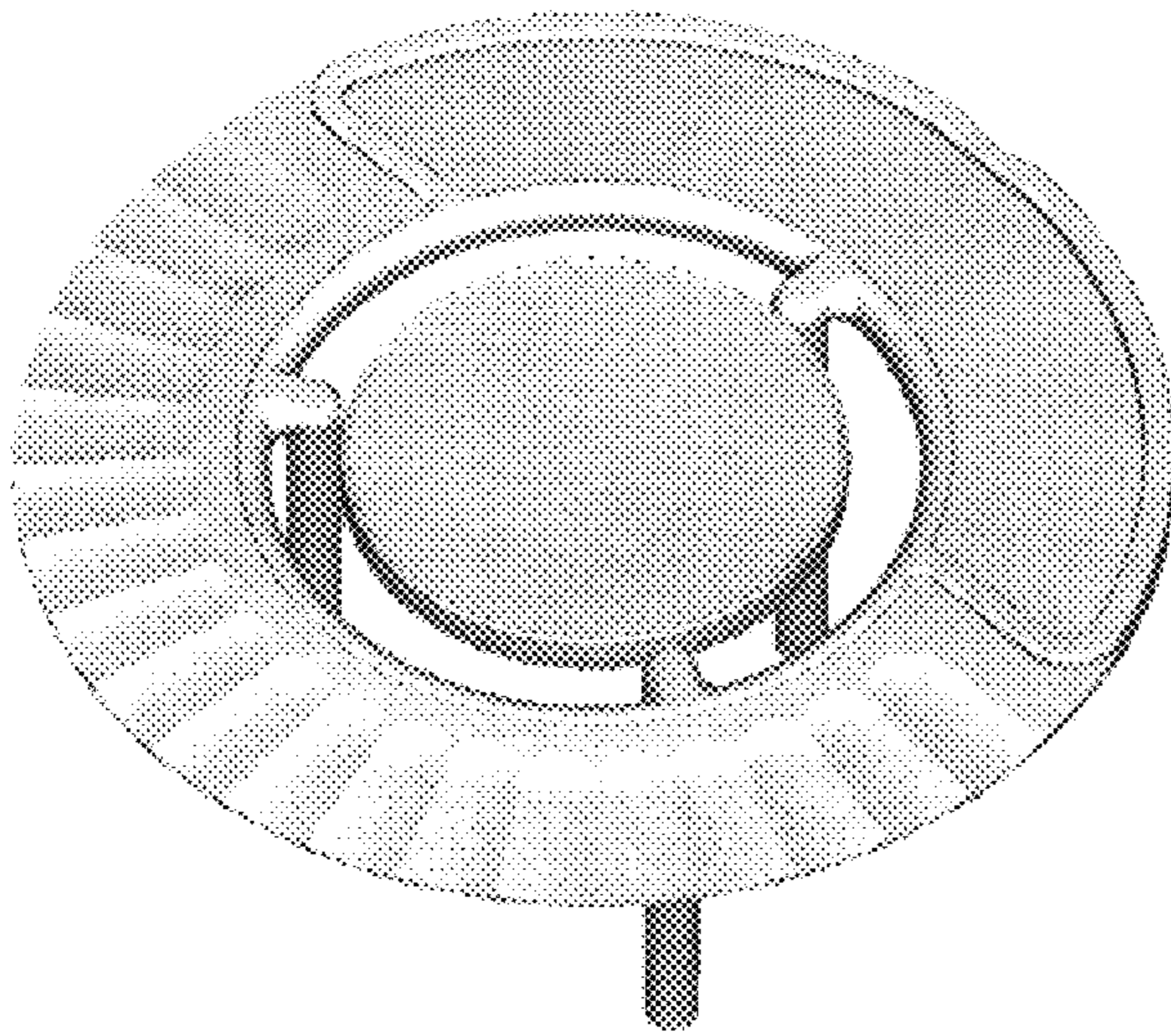


Figure 2

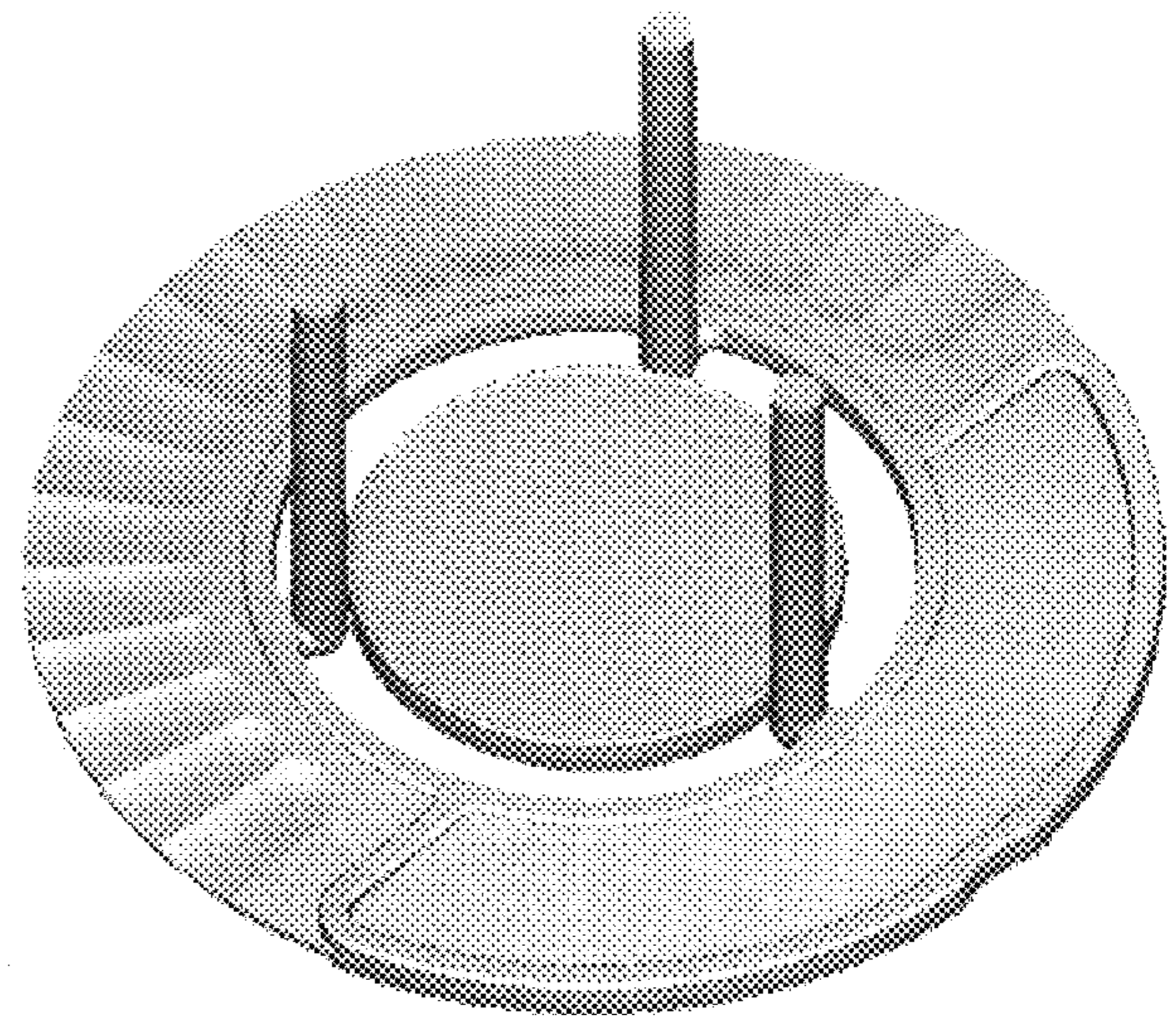


Figure 3