



US00D484046S

(12) **United States Design Patent**  
**Kopeccky**

(10) **Patent No.:** **US D484,046 S**

(45) **Date of Patent:** **\*\* Dec. 23, 2003**

(54) **CONFECTIONERY PRODUCT CONTAINER**

(75) Inventor: **Stanley J. Kopeccky**, Prospect Heights, IL (US)

(73) Assignee: **Wm. Wrigley Jr. Company**, Chicago, IL (US)

(\*\*) Term: **14 Years**

(21) Appl. No.: **29/183,753**

(22) Filed: **Jun. 17, 2003**

**Related U.S. Application Data**

(62) Division of application No. 29/151,104, filed on Oct. 31, 2001.

(51) **LOC (7) Cl.** ..... **09-03**

(52) **U.S. Cl.** ..... **D9/432**

(58) **Field of Search** ..... D9/414, 416, 432, D9/433, 499; 206/5, 5.1, 316.1, 476, 494, 37, 527; 220/229, 890; 229/100, 123, 124, 125, 126, 190, 800

(56) **References Cited**

**U.S. PATENT DOCUMENTS**

D29,593 S \* 11/1898 Datz ..... D9/433  
2,475,294 A \* 7/1949 Rafoth ..... 229/1.5  
D196,883 S \* 11/1963 Robinson ..... D58/12.6

D265,889 S \* 8/1982 Lawrence et al. .... D9/418  
5,190,200 A \* 3/1993 Hammerlund ..... 225/42  
D353,538 S \* 12/1994 Jobit ..... D9/432  
D402,554 S \* 12/1998 Batchelor ..... D9/433  
5,996,797 A \* 12/1999 Flaig ..... 206/494

\* cited by examiner

*Primary Examiner*—Philip S. Hyder

*Assistant Examiner*—Daniel Bui

(74) *Attorney, Agent, or Firm*—Bell, Boyd & Lloyd LLC

(57) **CLAIM**

The ornamental design for a confectionery product container, as shown and described.

**DESCRIPTION**

FIG. 1 is a top front perspective view of a confectionery product container of my new design in a closed position, that portion of the confectionery product container shown in phantom is not part of the design sought to be patented and is provided for environmental purposes only;

FIG. 2 is front elevation view thereof;

FIG. 3 is a top front perspective view of a confectionery product container of my new design in an open position, that portion of the confectionery product container shown in phantom is not part of the design sought to be patented and is provided for environmental purposes only; and,

FIG. 4 is a front elevation view thereof.

**1 Claim, 2 Drawing Sheets**

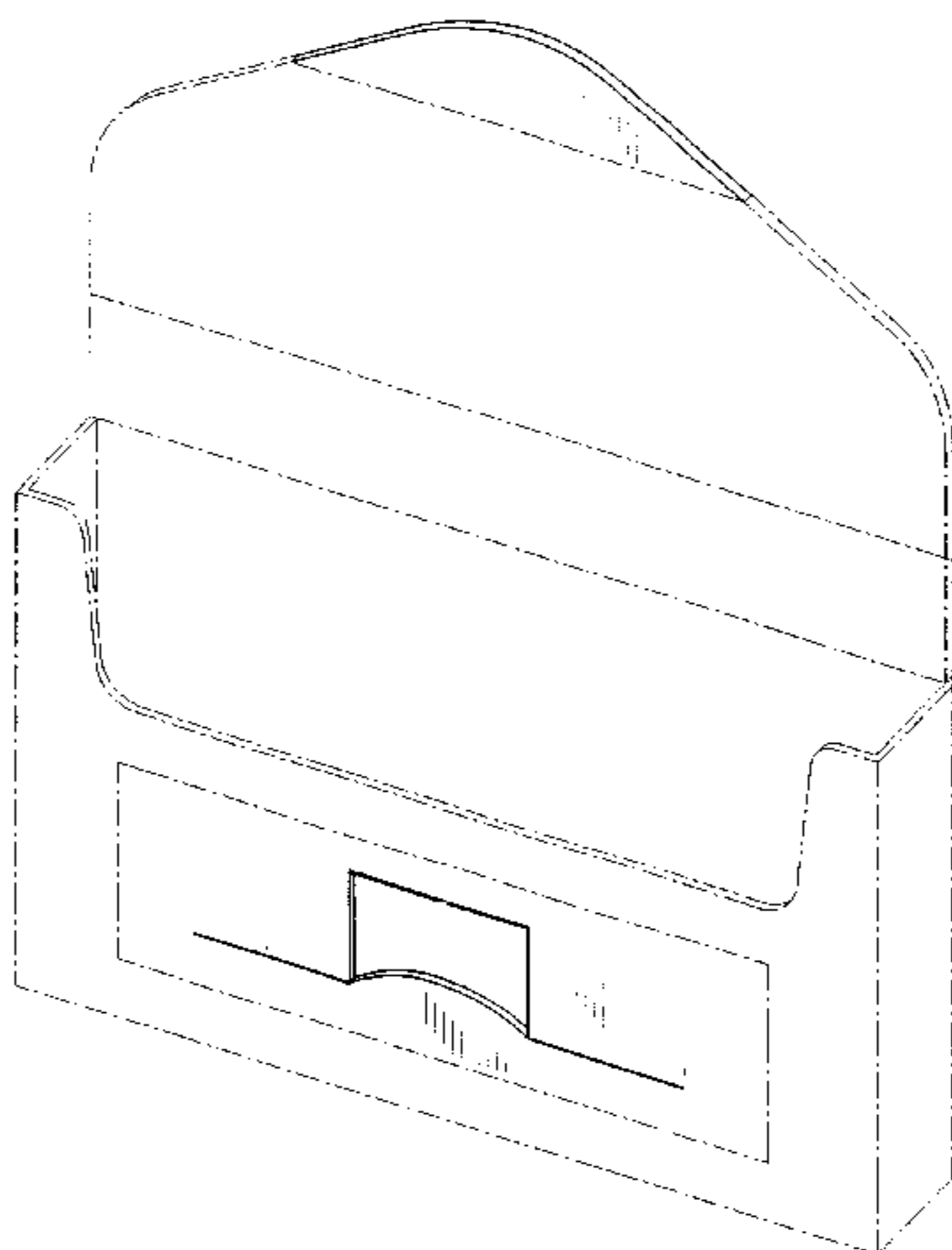
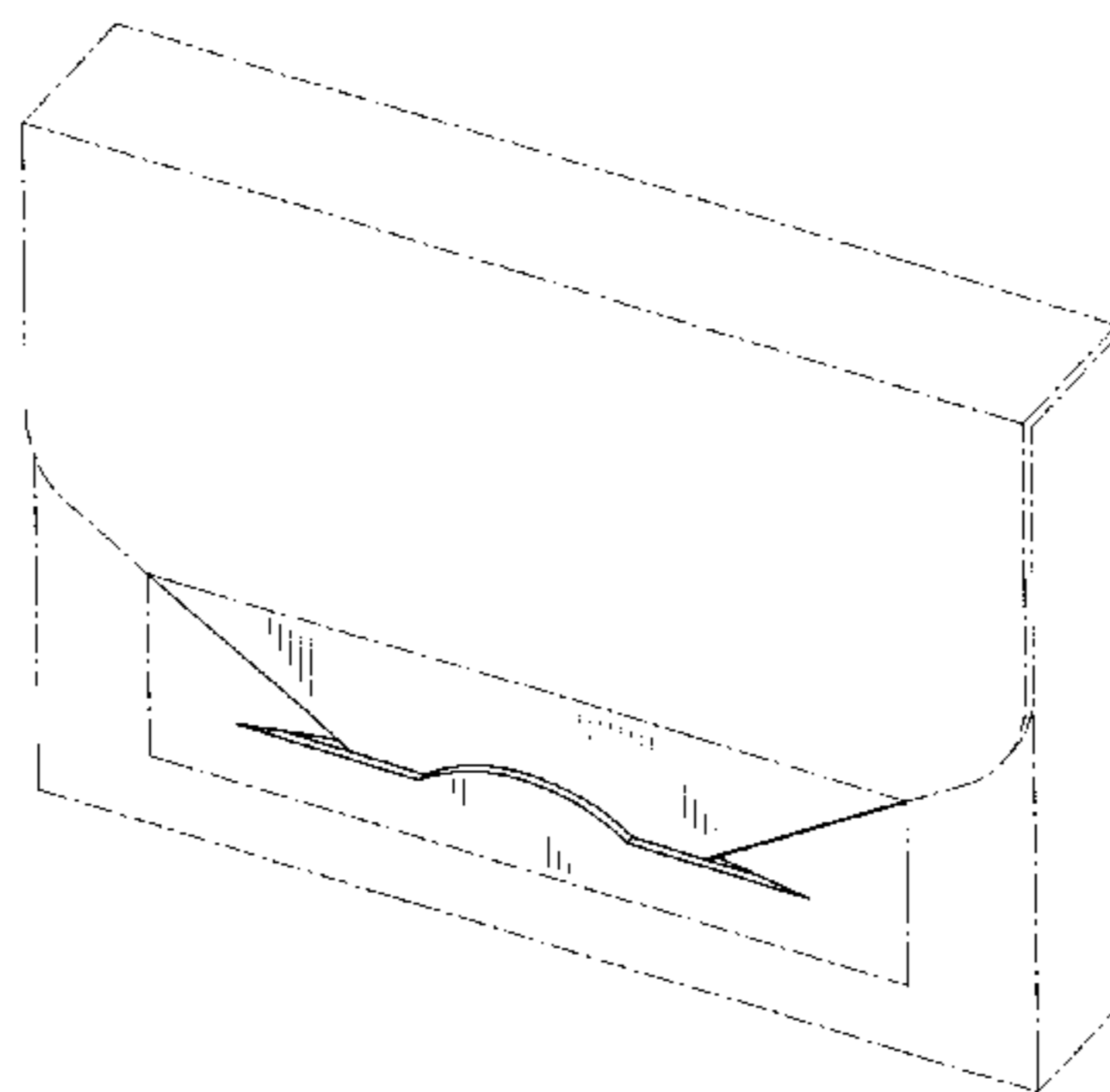


FIG.1

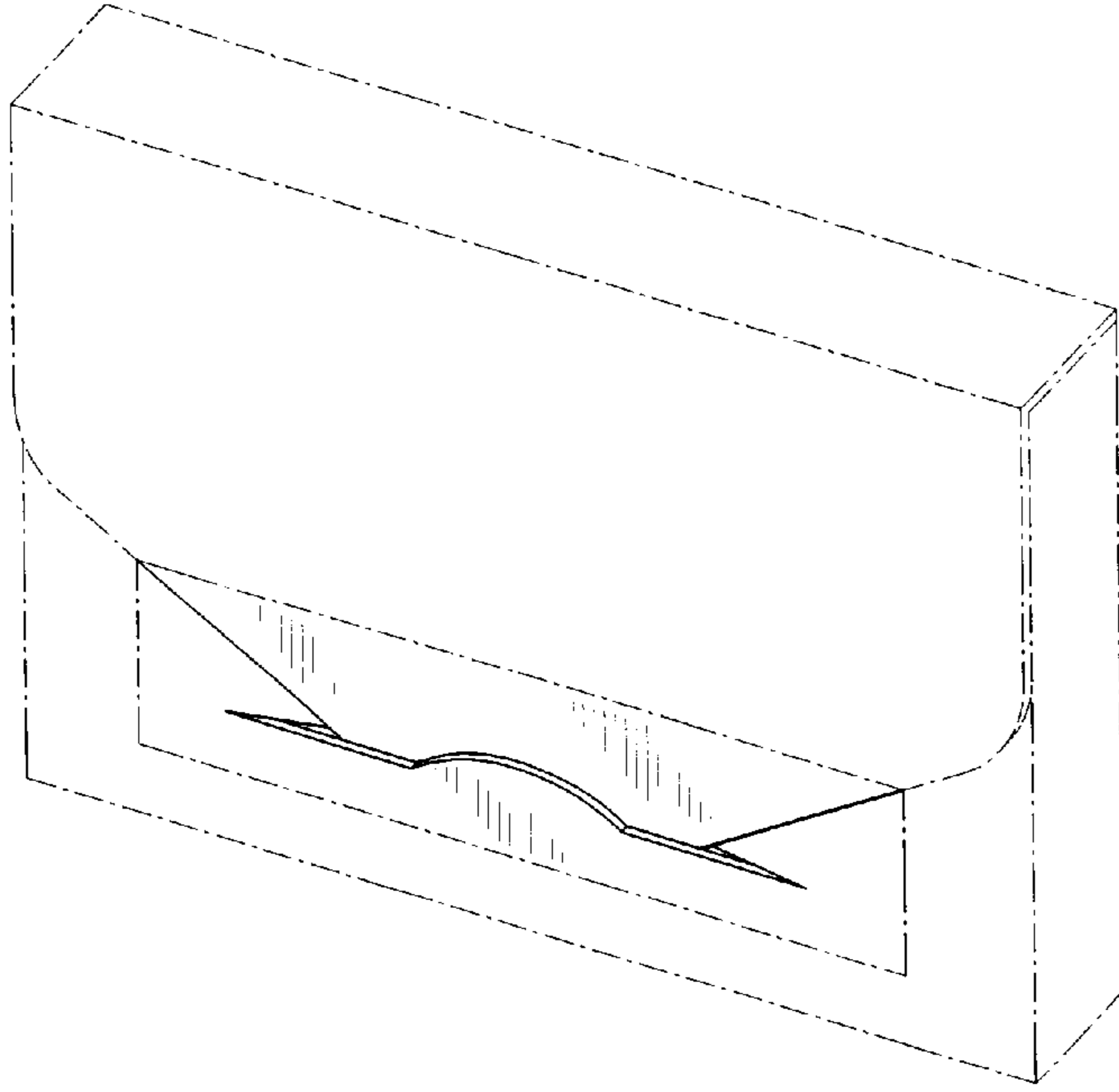


FIG.2

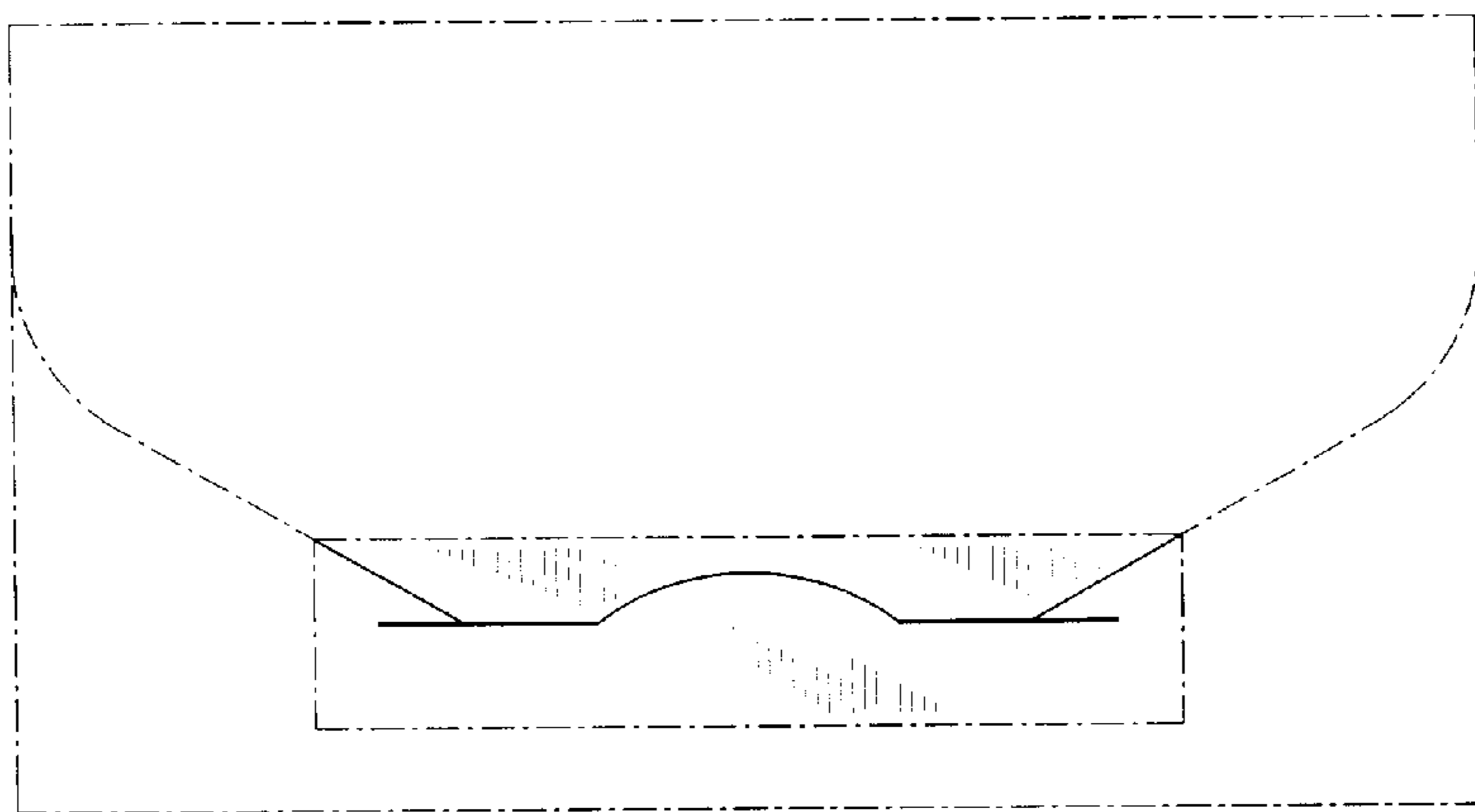


FIG.3

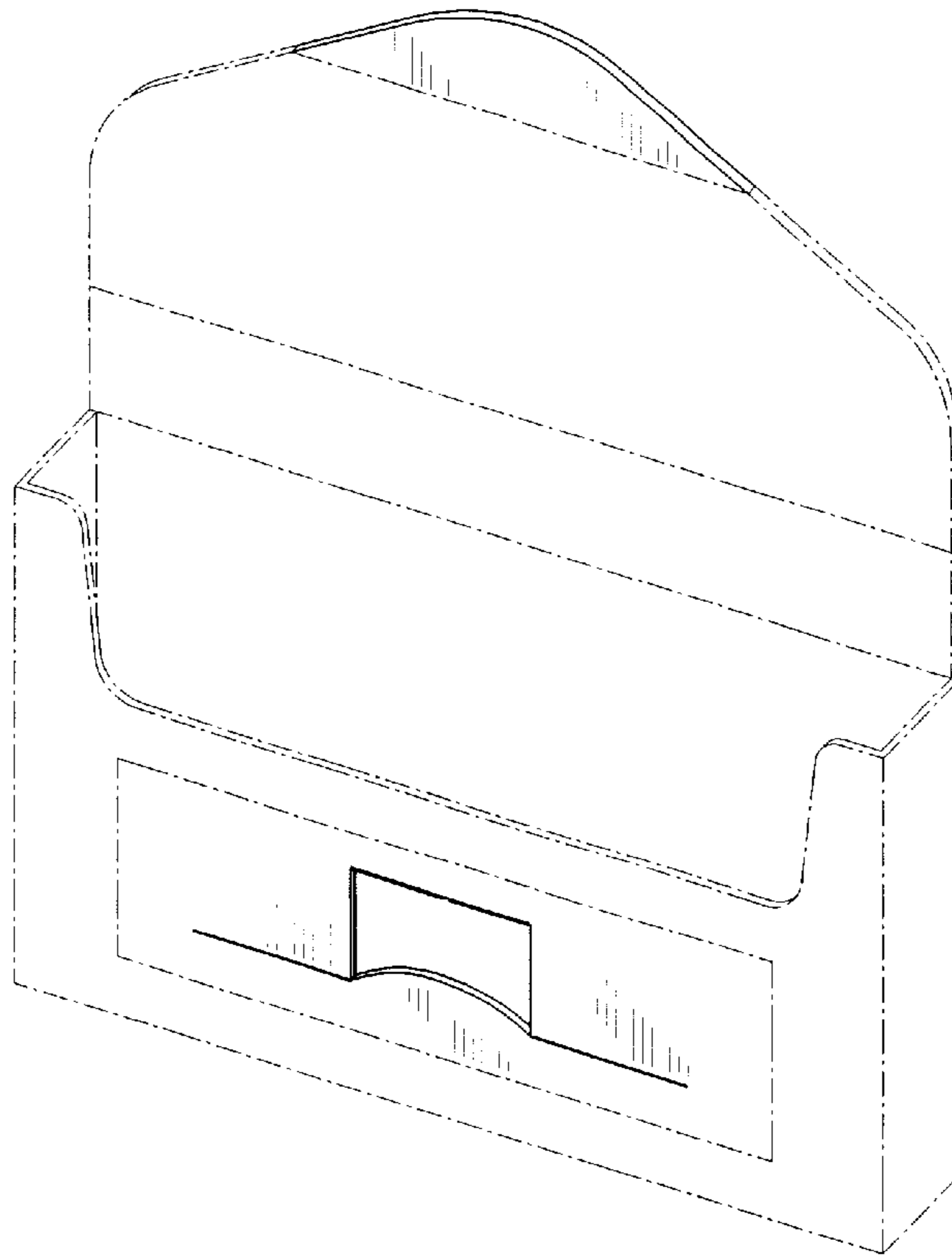


FIG.4

