



US00D484044S

(12) **United States Design Patent**
Milan

(10) **Patent No.:** **US D484,044 S**

(45) **Date of Patent:** **** Dec. 23, 2003**

(54) **PACKAGE FOR A COMPUTER CABLE**

(76) Inventor: **Henry Milan**, 1709 Apple Ridge Ct.,
Rochester Hills, MI (US) 48306

(**) Term: **14 Years**

(21) Appl. No.: **29/176,107**

(22) Filed: **Feb. 17, 2003**

(51) **LOC (7) Cl.** **09-03**

(52) **U.S. Cl.** **D9/415**

(58) **Field of Search** D9/415, 418, 414,
D9/457, 347, 337; 206/461-471, 806, 495,
701, 702, 710, 711, 579, 307, 389, 303,
775-779

(56) **References Cited**

U.S. PATENT DOCUMENTS

3,434,591 A	3/1969	Hanscom	
3,754,643 A *	8/1973	Foster	206/471
4,278,693 A *	7/1981	Dingethal et al.	206/461
4,285,157 A	8/1981	Lambert	
D261,988 S	11/1981	Nichols et al.	
4,469,226 A *	9/1984	Matney	206/470
D285,905 S	9/1986	Segal	
4,613,038 A	9/1986	Kirk	
4,637,516 A	1/1987	DeRoure	
4,781,289 A *	11/1988	Perkins	206/461
D306,561 S	3/1990	Lee	
D317,408 S *	6/1991	Lonngren et al.	D9/415
D328,249 S	7/1992	Lee	
D332,216 S	1/1993	Lee et al.	
D332,398 S	1/1993	Lee et al.	
D344,019 S *	2/1994	Pratt	D9/415
D349,239 S	8/1994	Steenland	
D351,342 S	10/1994	Lee et al.	
D355,600 S *	2/1995	Ford	D9/415
D370,626 S	6/1996	Pass et al.	
D372,193 S	7/1996	Lee	
D380,963 S	7/1997	Lee	
D384,579 S	10/1997	Lee	
D389,402 S	1/1998	Lee	
5,738,209 A	4/1998	Burr et al.	
D396,632 S	8/1998	Lee	

D400,096 S	10/1998	Lee
D405,367 S	2/1999	Lee et al.
D405,368 S	2/1999	Lee
D405,688 S	2/1999	Lee et al.
D406,753 S	3/1999	Lee
D408,280 S	4/1999	Manley et al.
D412,843 S	8/1999	Melzer
D414,410 S	9/1999	Klein et al.
D418,408 S	1/2000	Humphrey

(List continued on next page.)

Primary Examiner—Prabhakar Deshmukh
(74) *Attorney, Agent, or Firm*—MacMillan, Sobanski & Todd, LLC

(57) **CLAIM**

The ornamental design for a package for a computer cable, as shown and described.

DESCRIPTION

FIG. 1 is a perspective view showing my new package design.

FIG. 2 is a top plan view of the design shown in FIG. 1.

FIG. 3 is a front elevational view of the design shown in FIG. 1.

FIG. 4 is a rear elevational view of the design shown in FIG. 1.

FIG. 5 is a right side elevational view of the design shown in FIG. 1.

FIG. 6 is a left side elevational view of the design shown in FIG. 1.

FIG. 7 is a sectional view, taken in the direction of the arrows, along the section line 7—7 of FIG. 2.

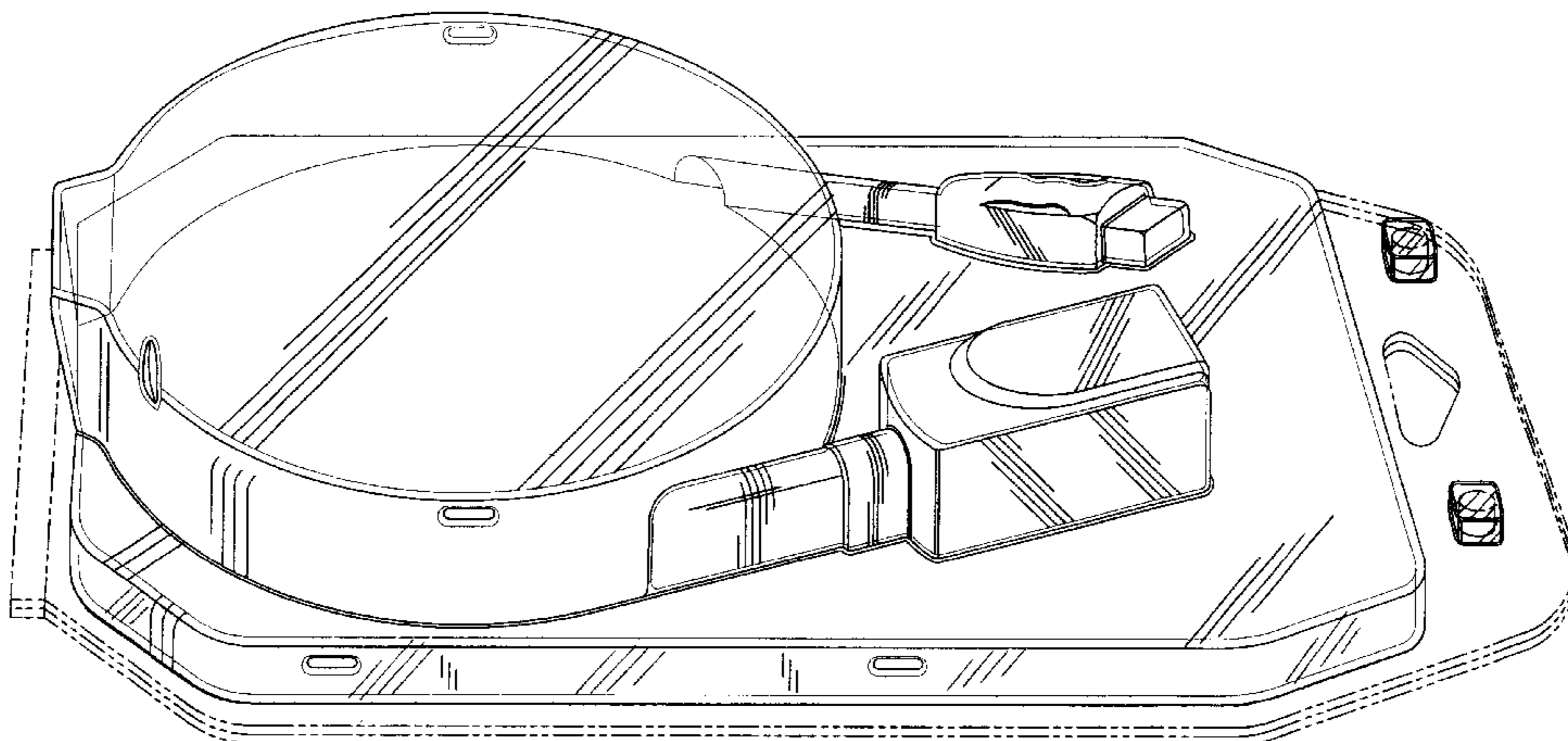
FIG. 8 is a sectional view, taken in the direction of the arrows, along the section line 8—8 of FIG. 2.

FIG. 9 is a sectional view, taken in the direction of the arrows, along the section line 9—9 of FIG. 2; and,

FIG. 10 is a sectional view, taken in the direction of the arrows, along the section line 10—10 of FIG. 2.

The broken lines are for illustrative purpose only and form no part of the claimed design.

1 Claim, 4 Drawing Sheets



US D484,044 S

Page 2

U.S. PATENT DOCUMENTS

6,026,961 A	2/2000	McCarthy et al.	D433,325 S	11/2000	Humphrey
D426,612 S	6/2000	Primeau, IV	6,163,465 A	12/2000	Tanner et al.
D427,061 S	6/2000	Niksich	D447,408 S	9/2001	Humphrey
D429,149 S	8/2000	Humphrey	D468,635 S	1/2003	Milan
D431,459 S	10/2000	Lee			

* cited by examiner

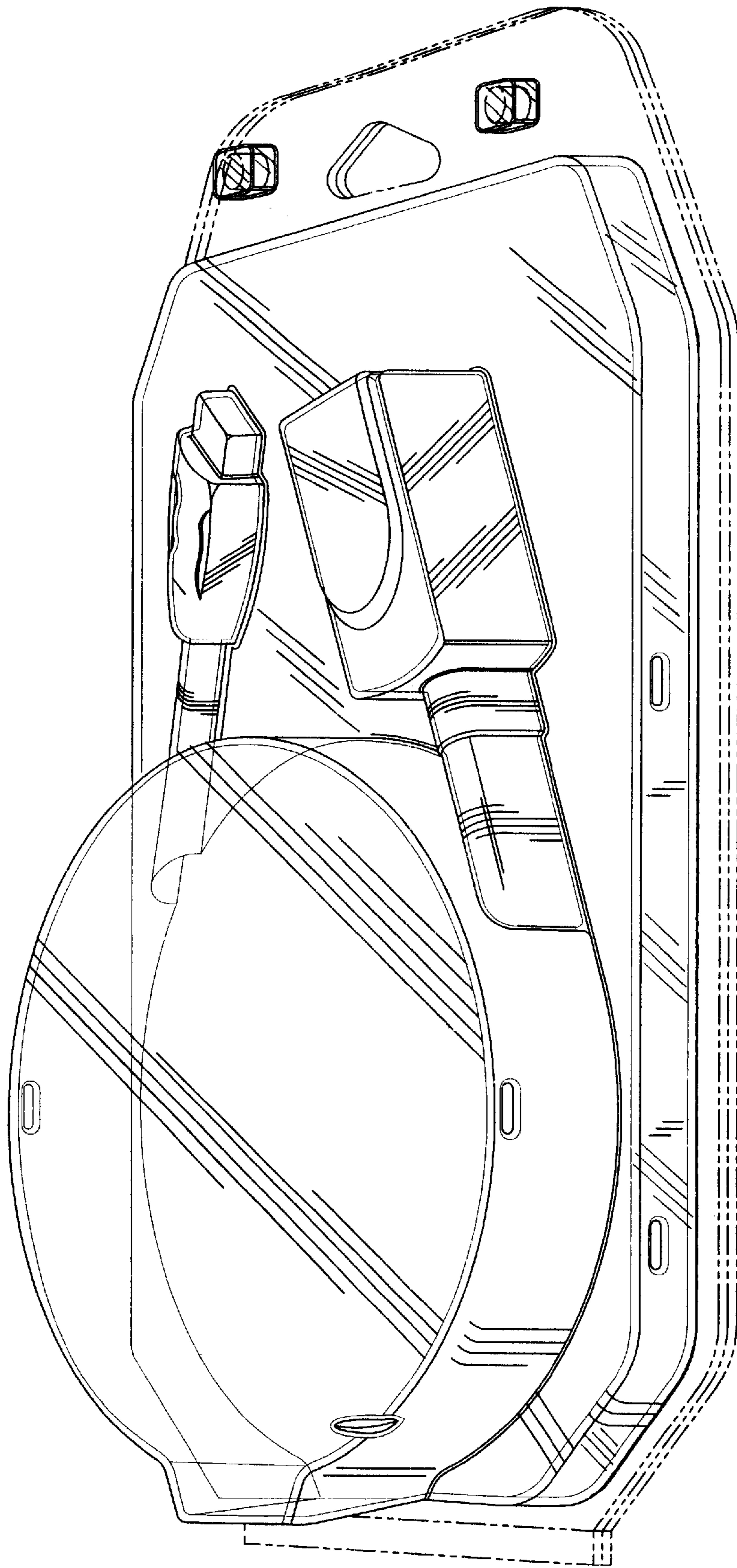


Fig-1

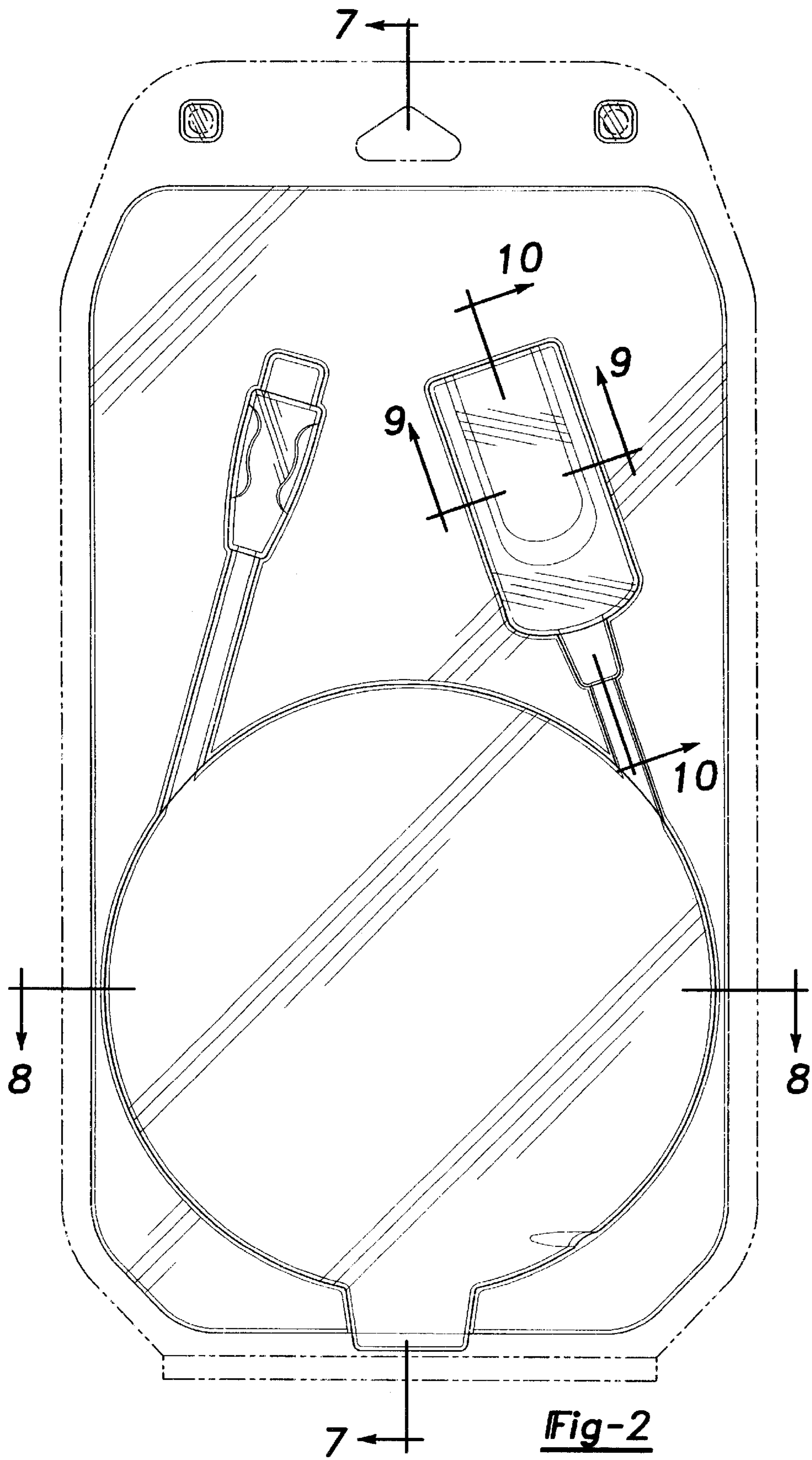


Fig-2

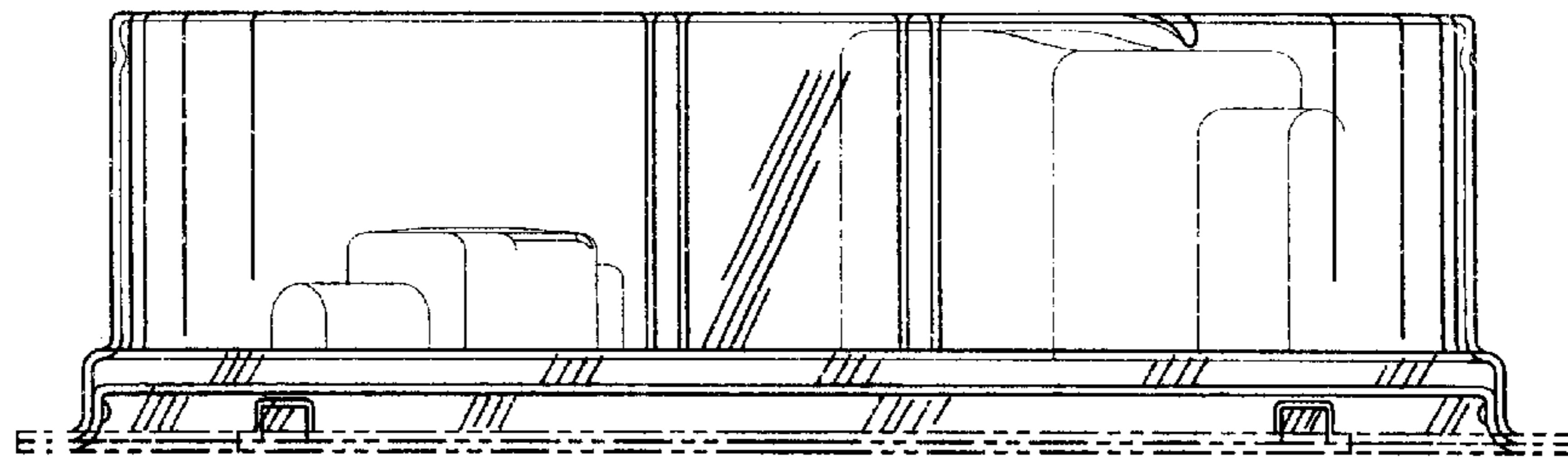


Fig-3

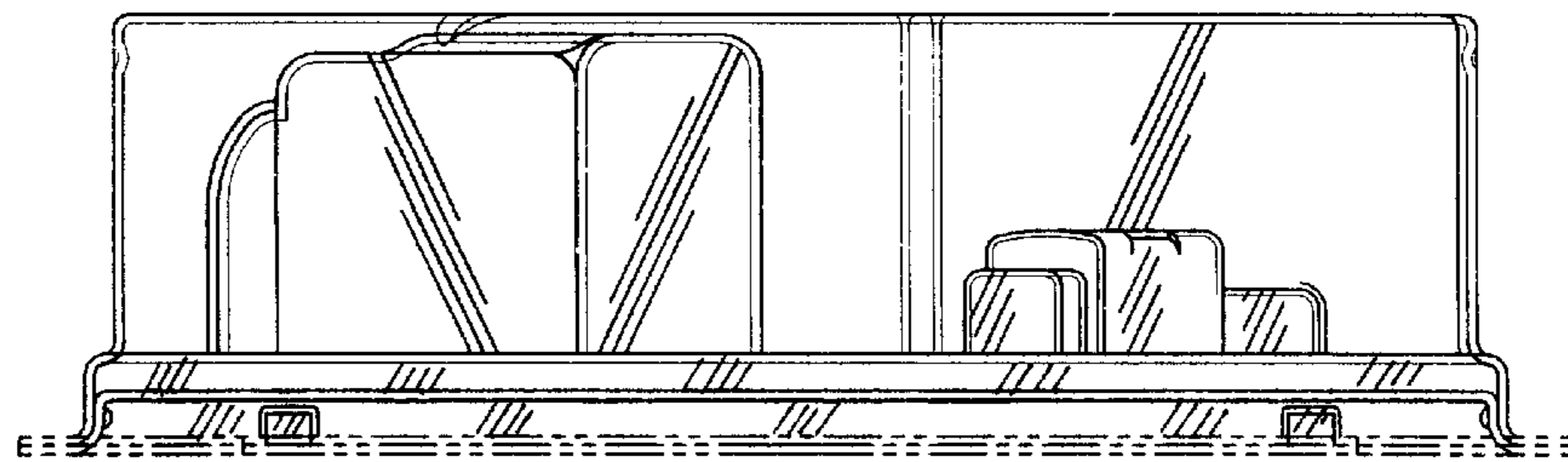


Fig-4

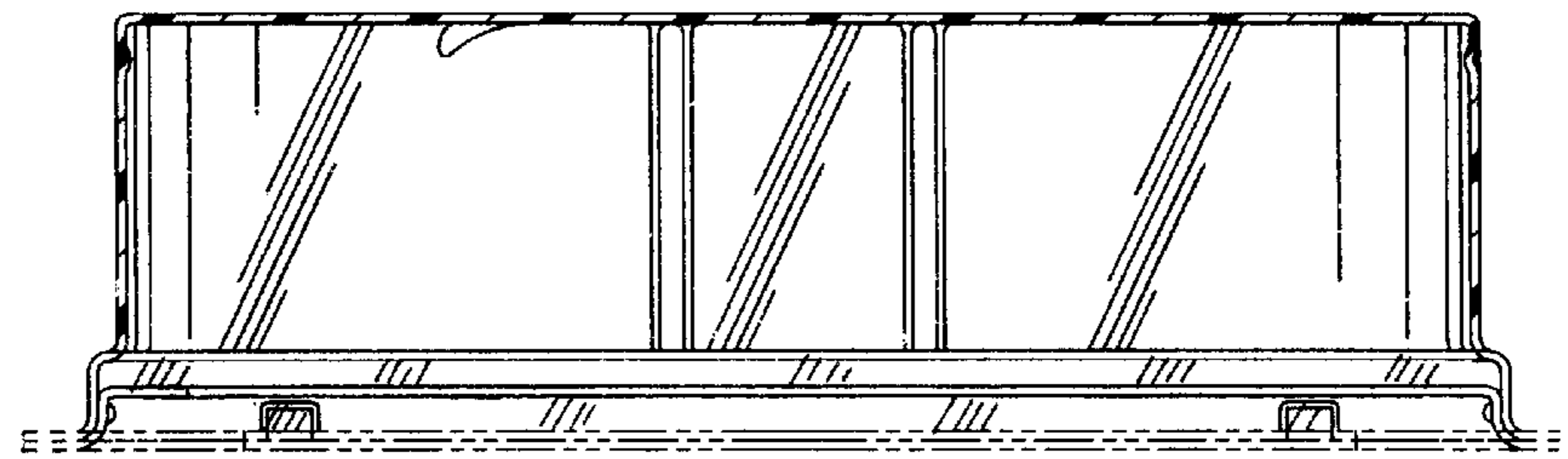


Fig-8

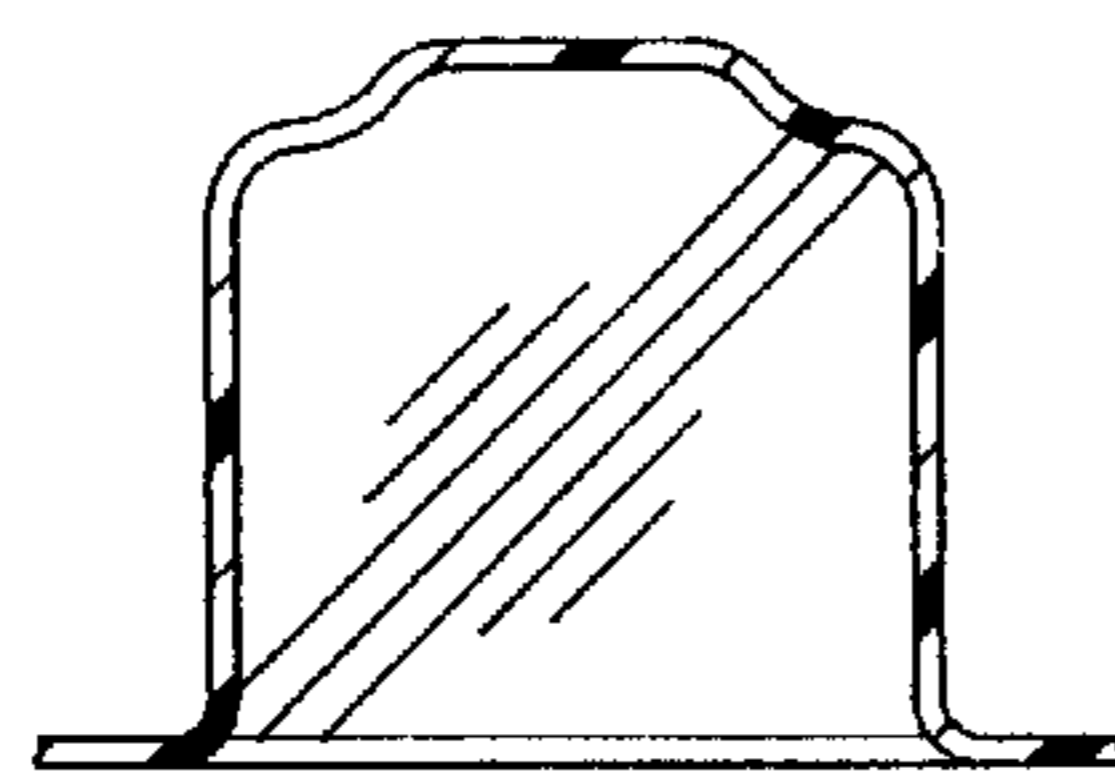


Fig-9

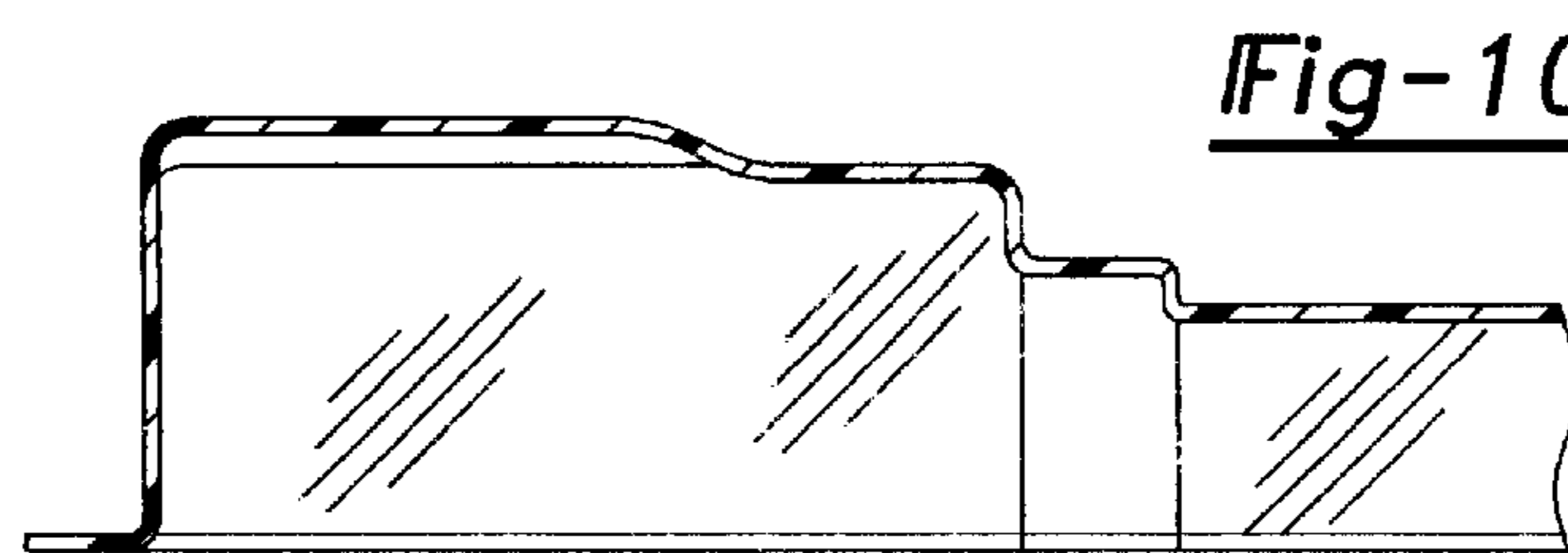


Fig-10

