



US00D484042S

(12) **United States Design Patent** (10) **Patent No.:** **US D484,042 S**
Riedl (45) **Date of Patent:** **** Dec. 23, 2003**

(54) **PAPERBOARD CONTAINER**

(75) Inventor: **James A. Riedl**, Hoffman Estates, IL (US)

(73) Assignee: **3M Innovative Properties Company**, St. Paul, MN (US)

(**) Term: **14 Years**

(21) Appl. No.: **29/065,720**

(22) Filed: **Jan. 29, 1997**

(51) **LOC (7) Cl.** **09-03**

(52) **U.S. Cl.** **D9/415**

(58) **Field of Search** D9/415, 418, 414, D9/456, 341; 206/461-471, 495, 806, 216

(56) **References Cited**

U.S. PATENT DOCUMENTS

D224,290	S	*	7/1972	Robertson	D9/415
4,257,522	A	*	3/1981	Thorneburg	206/806 X
D275,370	S	*	9/1984	Smyth et al.	D9/415
D275,737	S	*	10/1984	Carey, Jr. et al.	D9/415
4,630,734	A	*	12/1986	Severin et al.	206/461
D295,833	S	*	5/1988	Roth	D9/415 X
4,858,756	A	*	8/1989	Herrin et al.	206/461
5,379,894	A	*	1/1995	Haas et al.	206/461 X
5,593,036	A	*	1/1997	Dyble et al.	206/462 X

OTHER PUBLICATIONS

Gillette Broucher (Front and Rear of the Package), (C) 1992.*

Techform Inc., Nov. 1982.*

Packaging, vol. 31, No. 9, p. 53, Aug. 1986.*

Modern Packaging, p. 105, 1972-73.*

Information on accompanying drawing and Information Disclosure Statement.

* cited by examiner

Primary Examiner—Prabhakar Deshmukh

(74) *Attorney, Agent, or Firm*—William L. Huebsch

(57) **CLAIM**

The ornamental design for a paperboard container, as shown.

DESCRIPTION

FIG. 1 is a front, left, top isometric view of a paperboard container showing my new design;

FIG. 2 is a front elevational view of the paperboard container of FIG. 1;

FIG. 3 is a rear elevational view of the paperboard container of FIG. 1;

FIG. 4 is a top plan view of the paperboard container of FIG. 1;

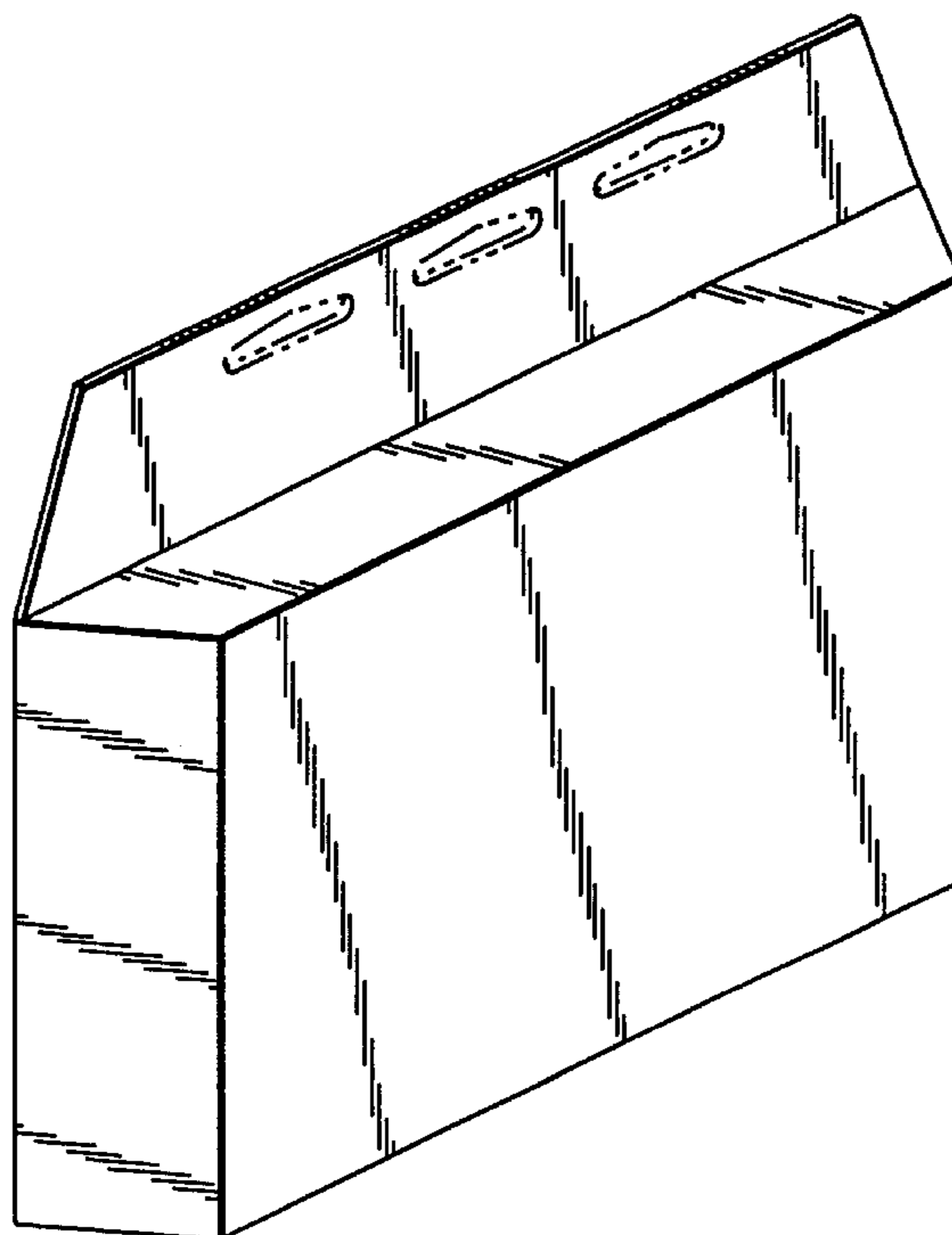
FIG. 5 is a bottom plan view of the paperboard container of FIG. 1;

FIG. 6 is a right end elevational view of the paperboard container of FIG. 1; and,

FIG. 7 is a left end elevational view of the paperboard container of FIG. 1.

The broken line showing of eyelets is for illustrative purpose only and forms no part of the claimed design.

1 Claim, 3 Drawing Sheets



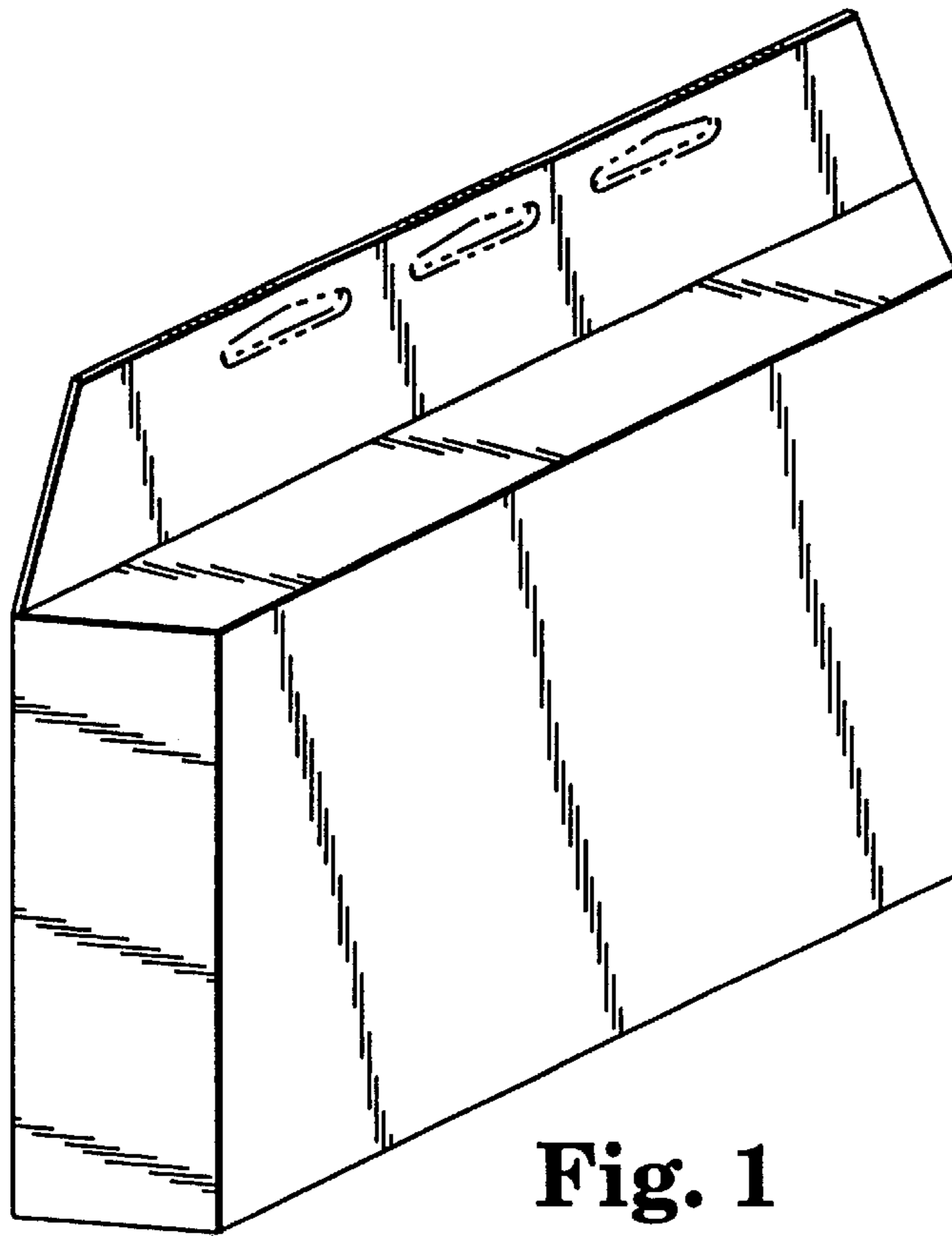


Fig. 1

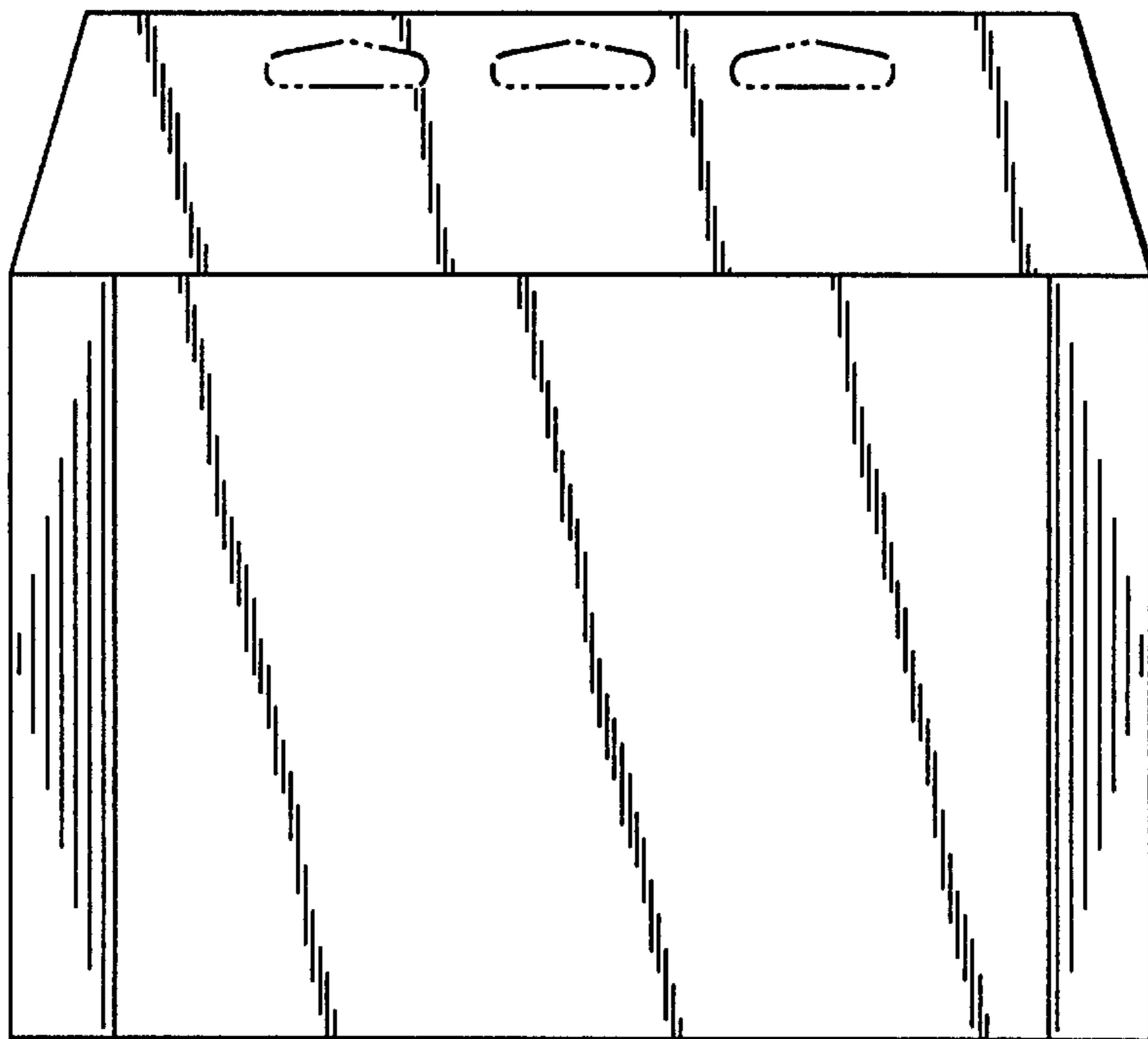


Fig. 2

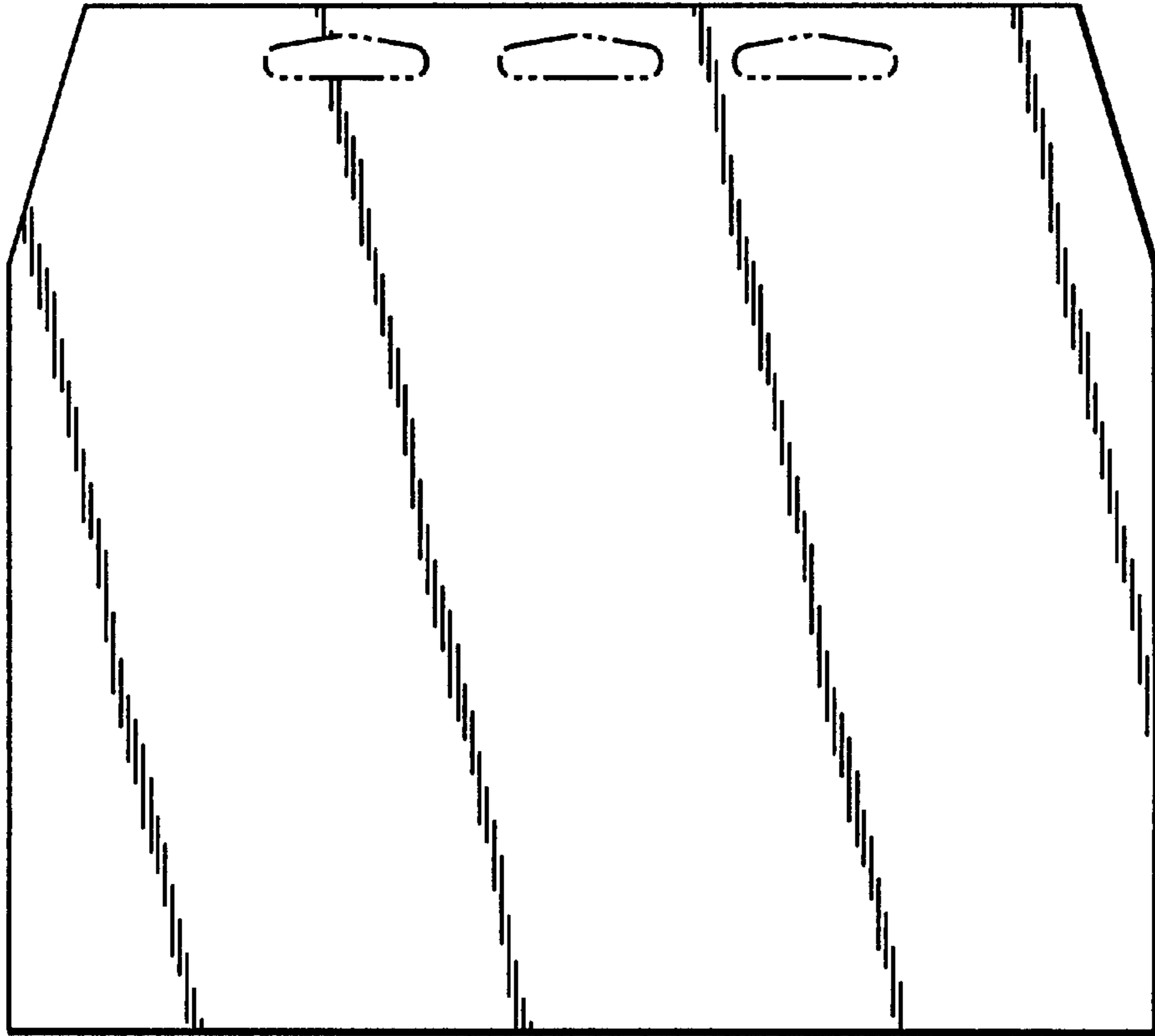


Fig. 3

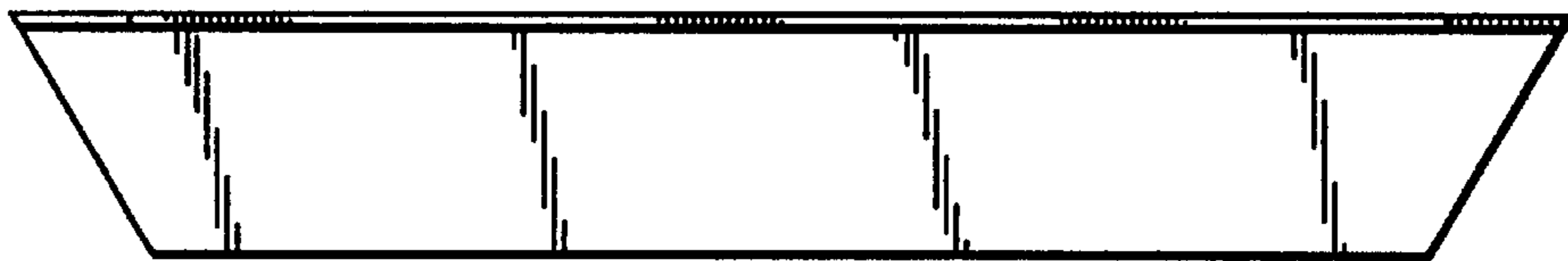


Fig. 4

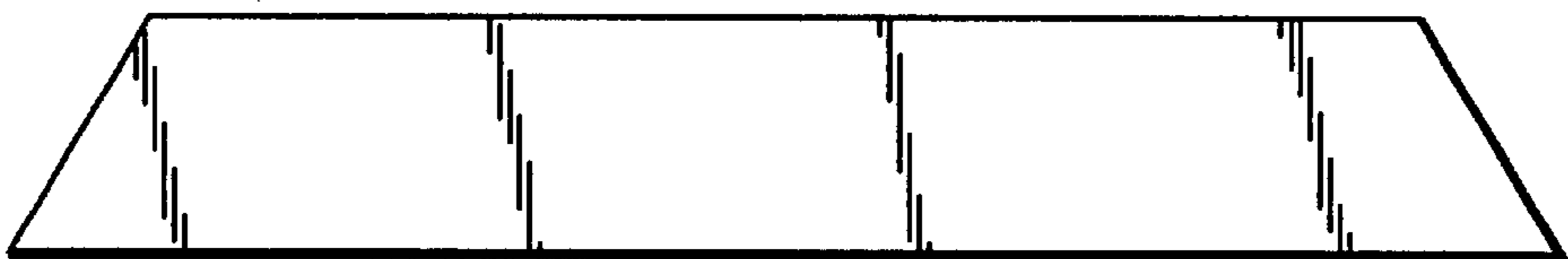


Fig. 5

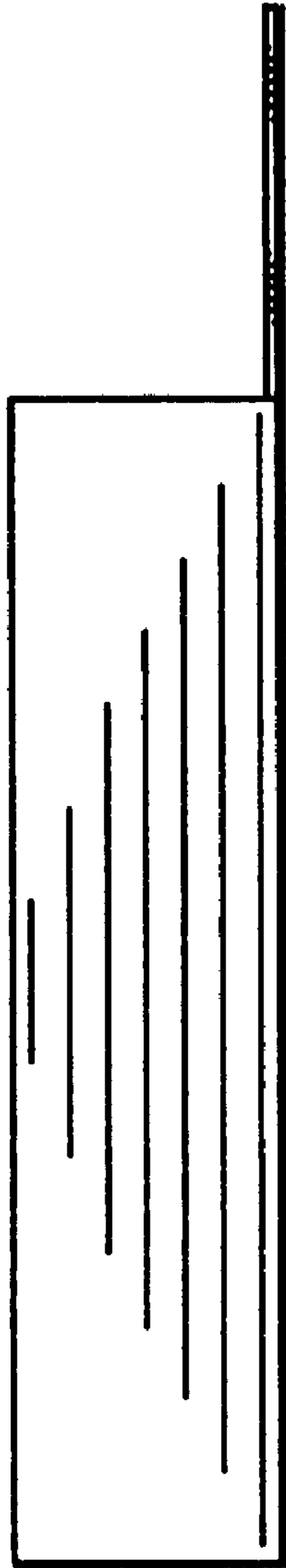


Fig. 6

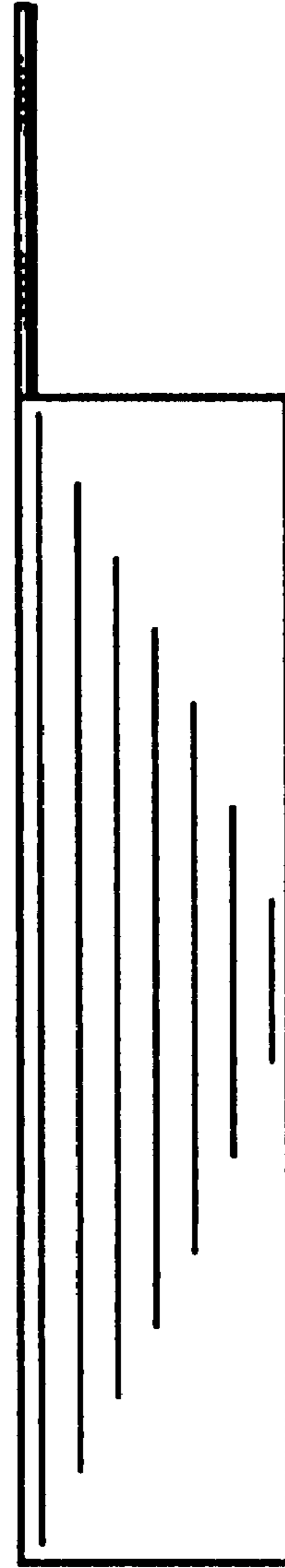


Fig. 7