



US00D484041S

(12) **United States Design Patent**
Favor

(10) **Patent No.:** **US D484,041 S**

(45) **Date of Patent:** **** Dec. 23, 2003**

(54) **SQUEEZABLE TRANSPARENT FRAGRANCE DISPENSER WITH KEY RING AND STRAP-ATTACHED CAP**

D373,730 S * 9/1996 Baron D9/504
6,017,162 A 1/2000 Call
6,042,286 A 3/2000 Paziienza
D457,426 S * 5/2002 Montana D9/420

(76) Inventor: **Anthony G. Favor**, 64 E. Park St. #9B,
East Orange, NJ (US) 07017

* cited by examiner

(**) Term: **14 Years**

Primary Examiner—Paula A. Mortimer

(74) *Attorney, Agent, or Firm*—Donald R. Schoonover

(21) Appl. No.: **29/175,598**

(57) **CLAIM**

(22) Filed: **Feb. 10, 2003**

I claim the ornamental design for a squeezable transparent fragrance dispenser with key ring and strap-attached cap, as shown and described.

(51) **LOC (7) Cl.** **09-05**

(52) **U.S. Cl.** **D9/306**

(58) **Field of Search** D9/305, 306, 446,
D9/447, 500, 503, 504, 520, 529, 558,
420, 549; 222/184, 213, 215, 494, 542,
543, 546, 569; D28/76, 77, 91.1, 88, 89;
40/634, 660; 206/37

DESCRIPTION

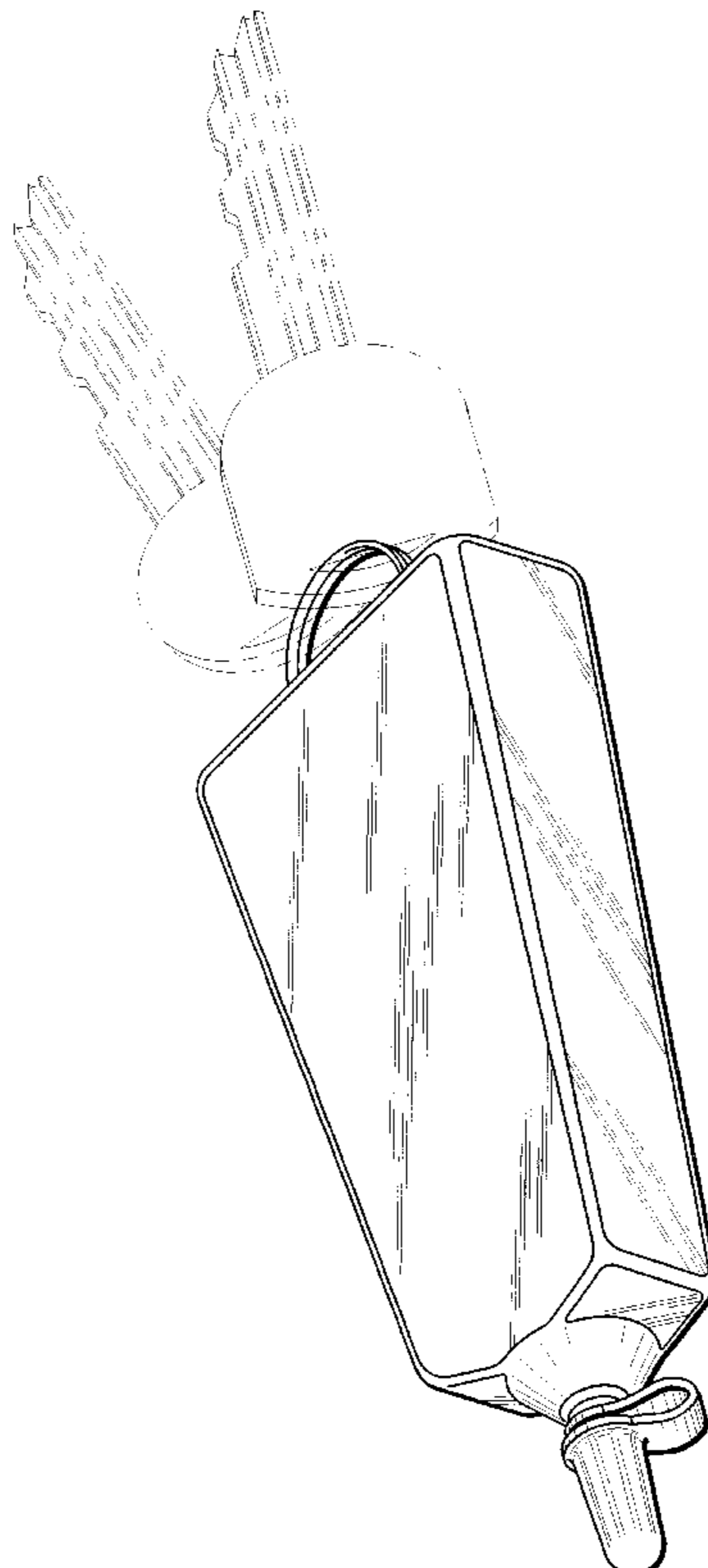
(56) **References Cited**

U.S. PATENT DOCUMENTS

2,864,367	A	12/1958	Mende	
3,063,601	A	* 11/1962	Hertz	222/213
3,282,478	A	* 11/1966	Russell	222/542
D295,380	S	4/1988	Virag et al.	
4,817,832	A	4/1989	Nagy	
5,037,005	A	8/1991	Appleby et al.	
D347,297	S	* 5/1994	Vesco	D28/77
D356,597	S	* 3/1995	Gray	D9/503
5,549,224	A	8/1996	Wu et al.	

FIG. 1 is a perspective view of a squeezable transparent fragrance dispenser with key ring and strap-attached cap showing my new design;
FIG. 2 is a front elevational view thereof, the rear elevational view being a mirror image thereof;
FIG. 3 is a top plan view thereof;
FIG. 4 is a right side elevational view thereof;
FIG. 5 is a left side elevational view thereof;
FIG. 6 is a bottom plan view thereof; and,
FIG. 7 is a perspective view showing the squeezable transparent fragrance dispenser with key ring and strap-attached cap in use; the phantom lines show environmental structure for illustrative purposes only and form no part of the claimed design.

1 Claim, 3 Drawing Sheets



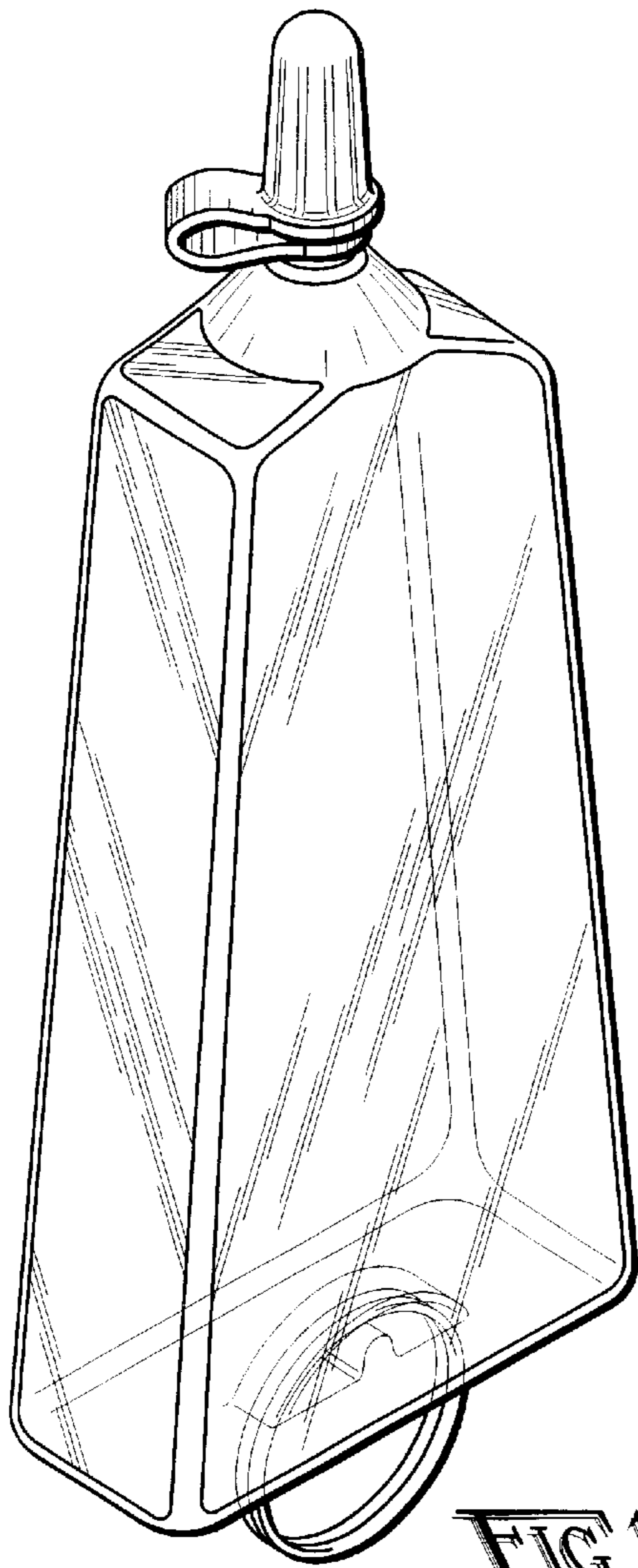


FIG. 1

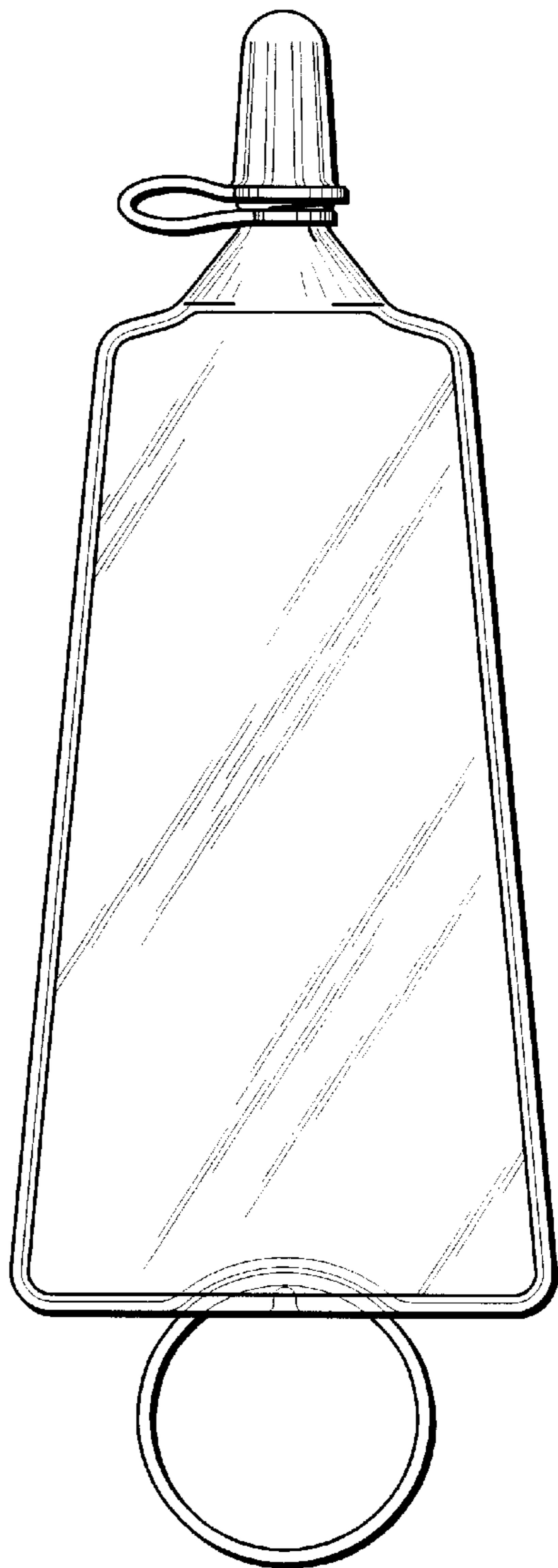


FIG. 2

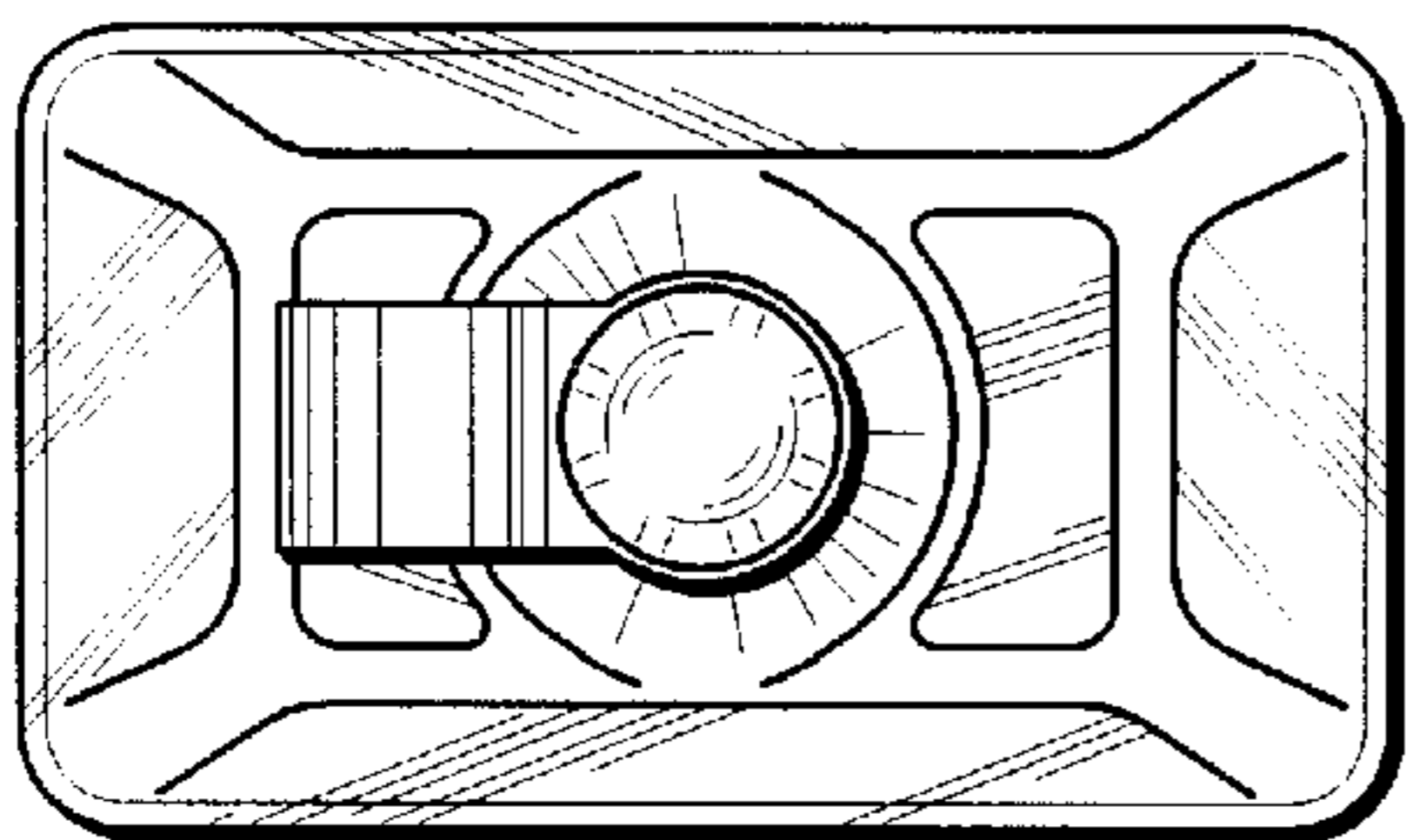


FIG. 3

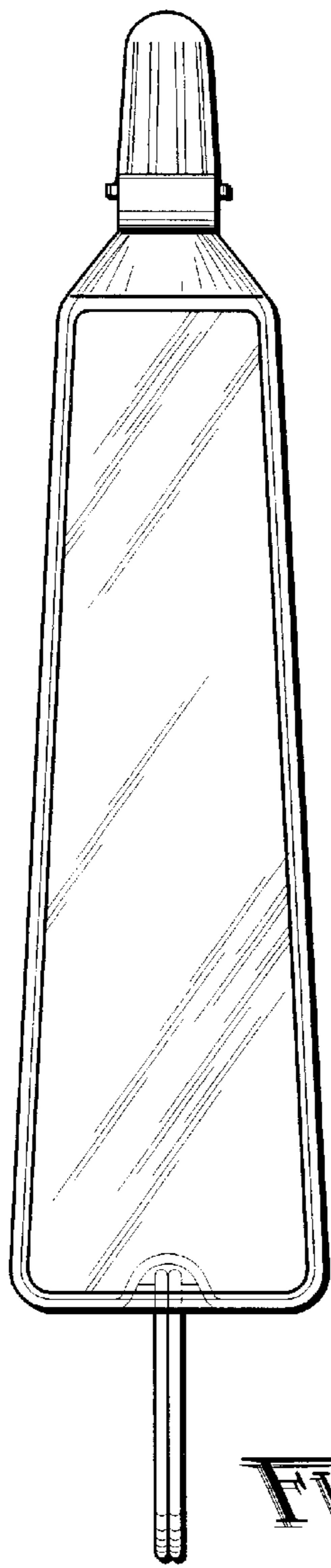


FIG. 4

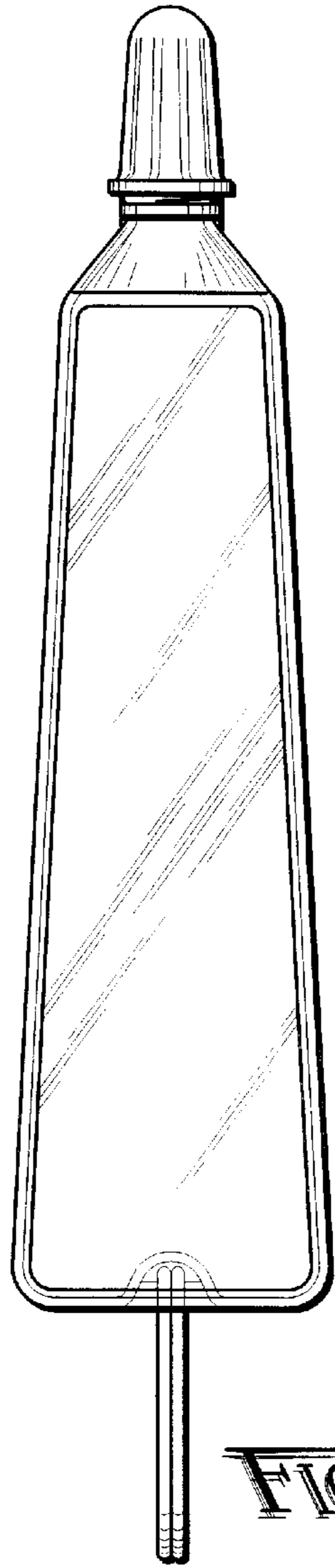


FIG. 5

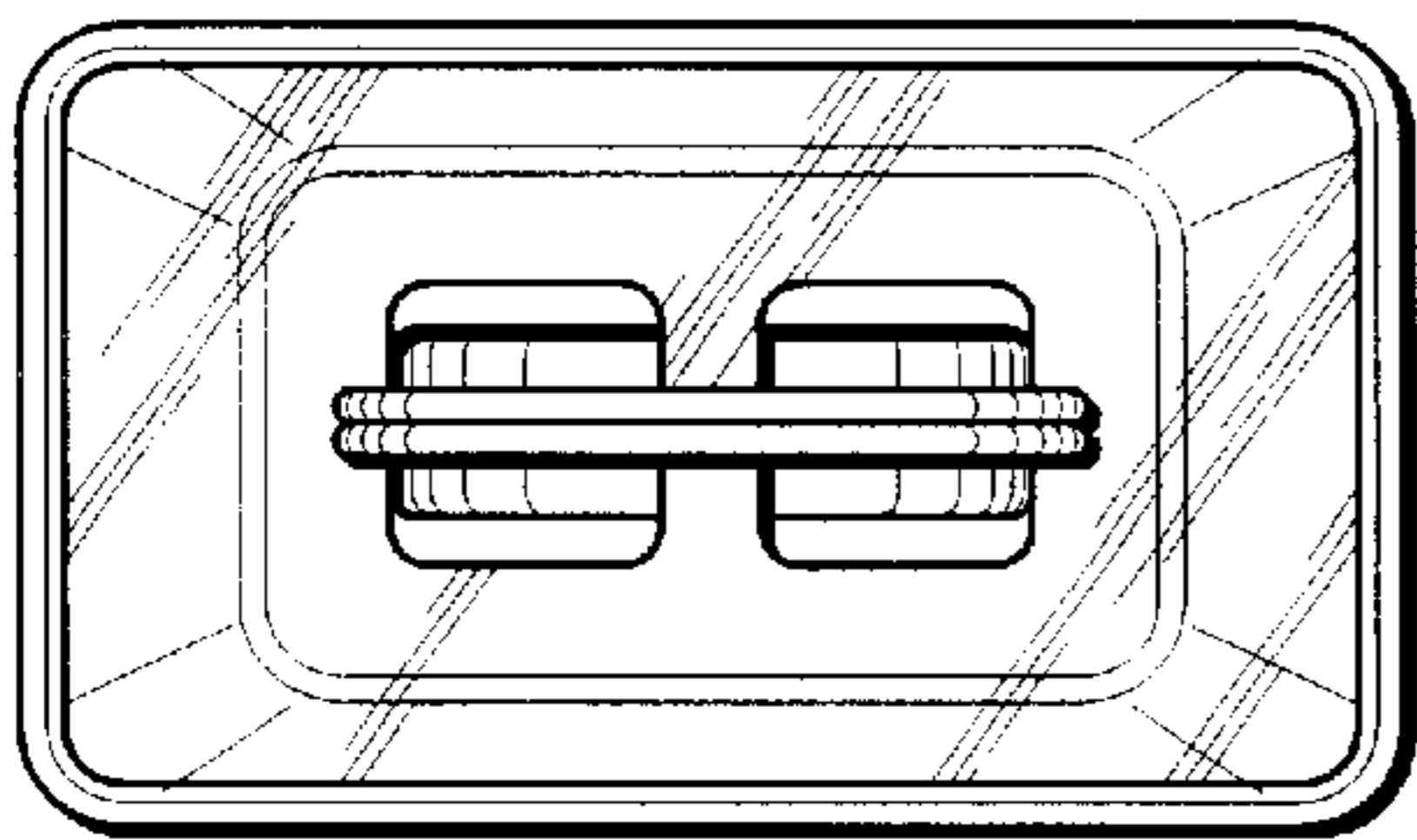


FIG. 6

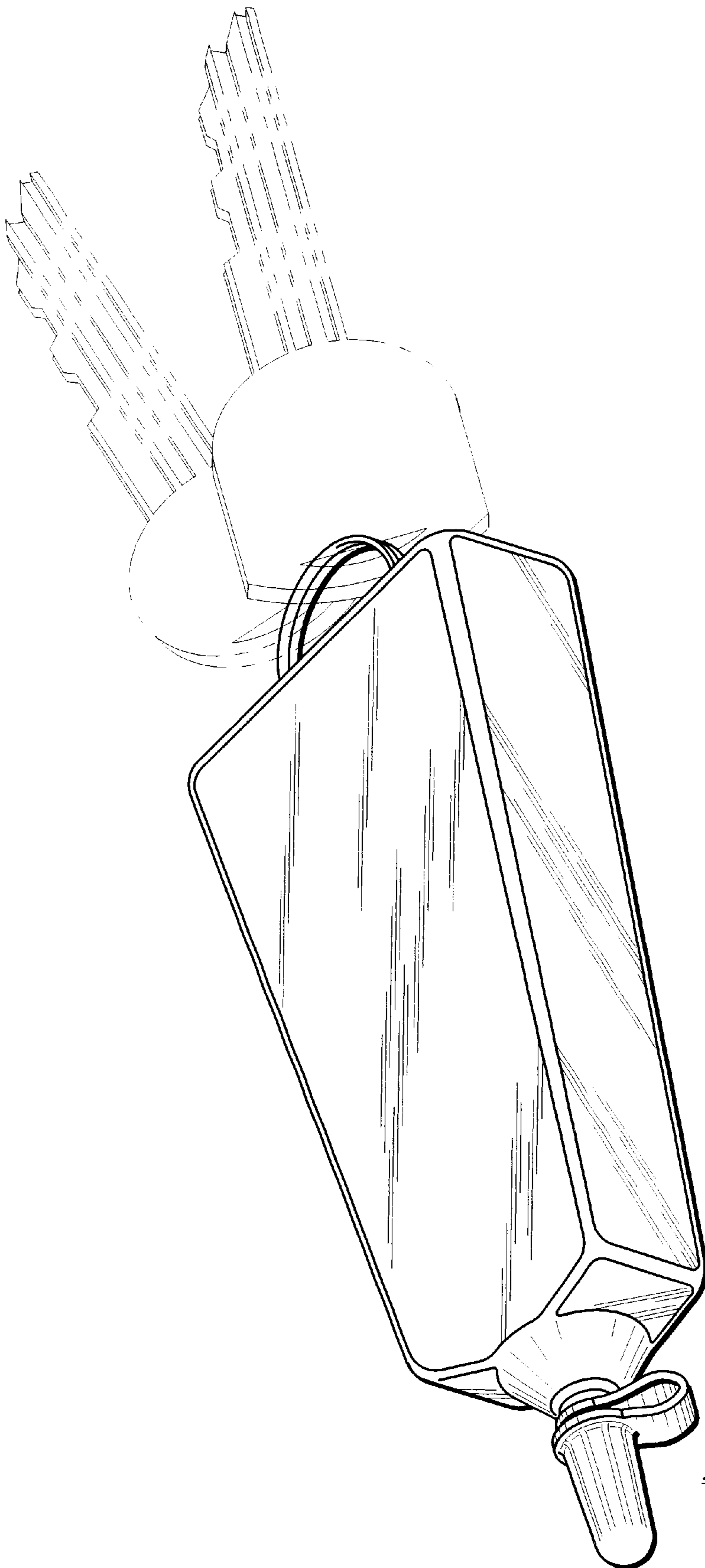


FIG. 7