



US00D484035S

(12) **United States Design Patent**
Smith-Kielland et al.

(10) **Patent No.:** **US D484,035 S**

(45) **Date of Patent:** **** Dec. 23, 2003**

(54) **C-SHAPED CLAMP FOR WIRES AND CABLES**

(76) Inventors: **Inguald Alain Smith-Kielland**, 2133-1
Dublin La., Diamond Bar, CA (US)
91765; **Stephen Brian Gates**, 24751
Daphne E., Mission Viejo, CA (US)
92691; **Thomas Charles Weiss**, 1545
Vandagriff Way, Corona, CA (US)
92883

(**) Term: **14 Years**

(21) Appl. No.: **29/170,419**

(22) Filed: **Nov. 5, 2002**

(51) **LOC (7) Cl.** **08-08**

(52) **U.S. Cl.** **D8/394**; 248/68.1

(58) **Field of Search** D8/382, 394, 395,
D8/396, 72-74; 439/465; 248/74.1, 74.2,
68.1, 49; 24/130, 132 R, 136 R

(56) **References Cited**

U.S. PATENT DOCUMENTS

D309,835 S * 8/1990 Stone, Jr. et al. D8/394

D310,020 S * 8/1990 Fujioka D8/396
D332,918 S * 2/1993 Fleming D8/395
5,184,794 A * 2/1993 Saito 248/68.1
D356,721 S * 3/1995 Tessman D8/72

* cited by examiner

Primary Examiner—Louis S. Zarfaz
Assistant Examiner—Gregory Andoll
(74) *Attorney, Agent, or Firm*—Gene Scott-Patent Law &
Venture Group

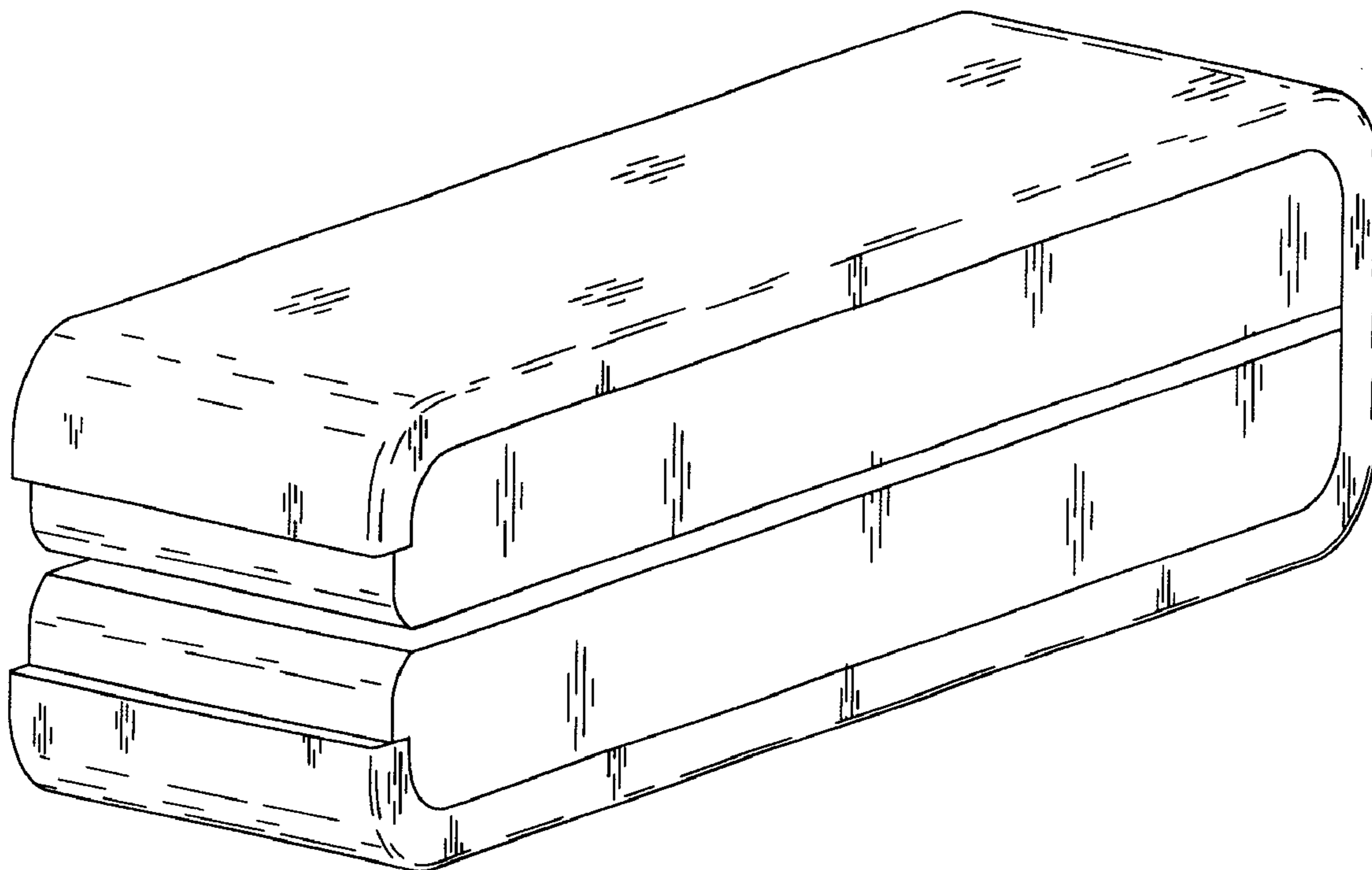
(57) **CLAIM**

The ornamental design for a C-shaped clamp for wires and cables, as shown and described.

DESCRIPTION

FIG. 1 is a perspective view of a C-shaped clamp for wires and cables, showing my new design;
FIG. 2 is a right side elevation view thereof, the left side elevation view being a mirror image thereof;
FIG. 3 is a front elevational view thereof;
FIG. 4 is a rear elevational view thereof; and,
FIG. 5 is a top plan view thereof, the bottom plan view being a mirror image thereof.

1 Claim, 2 Drawing Sheets



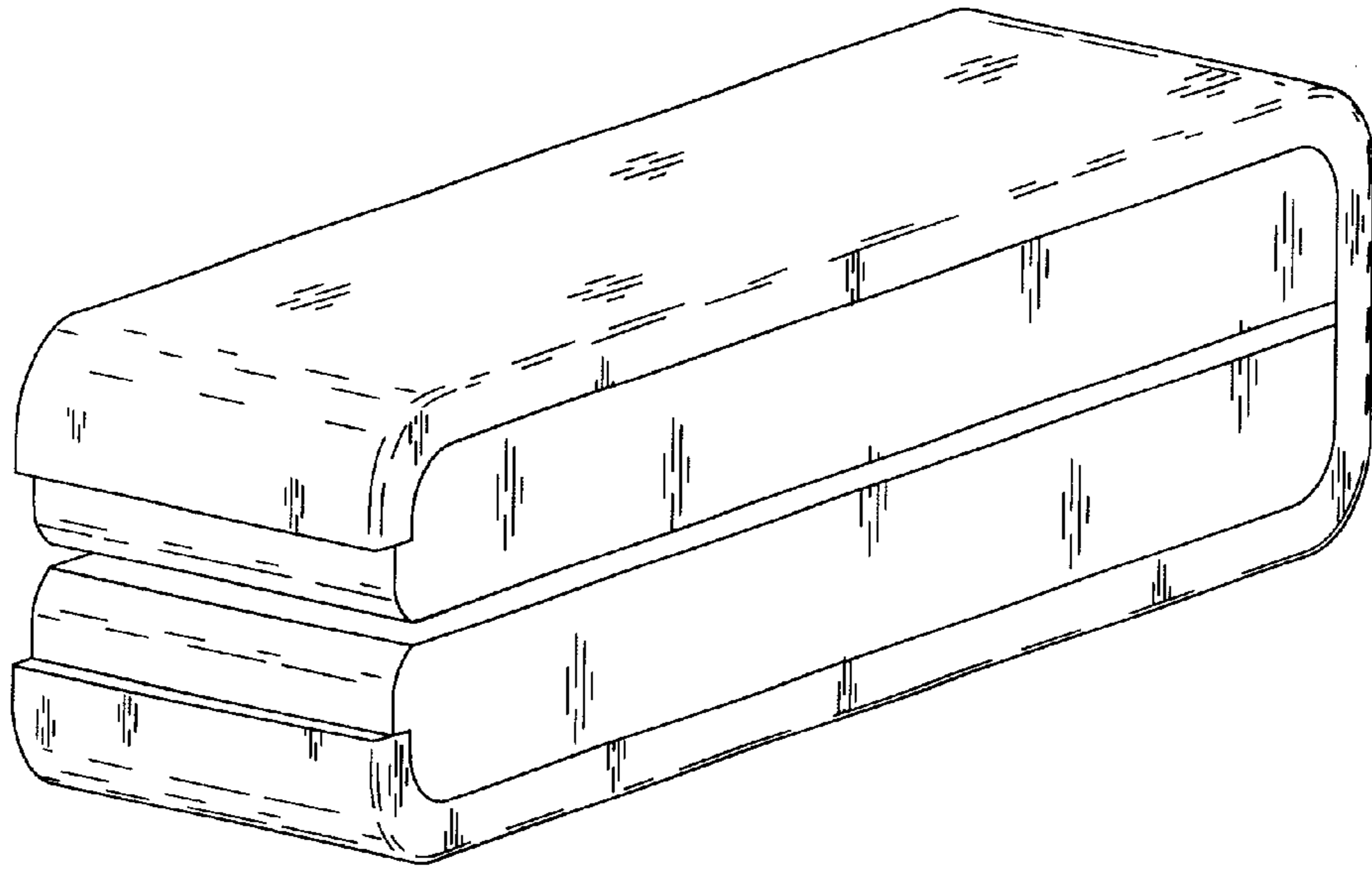


Fig. 1

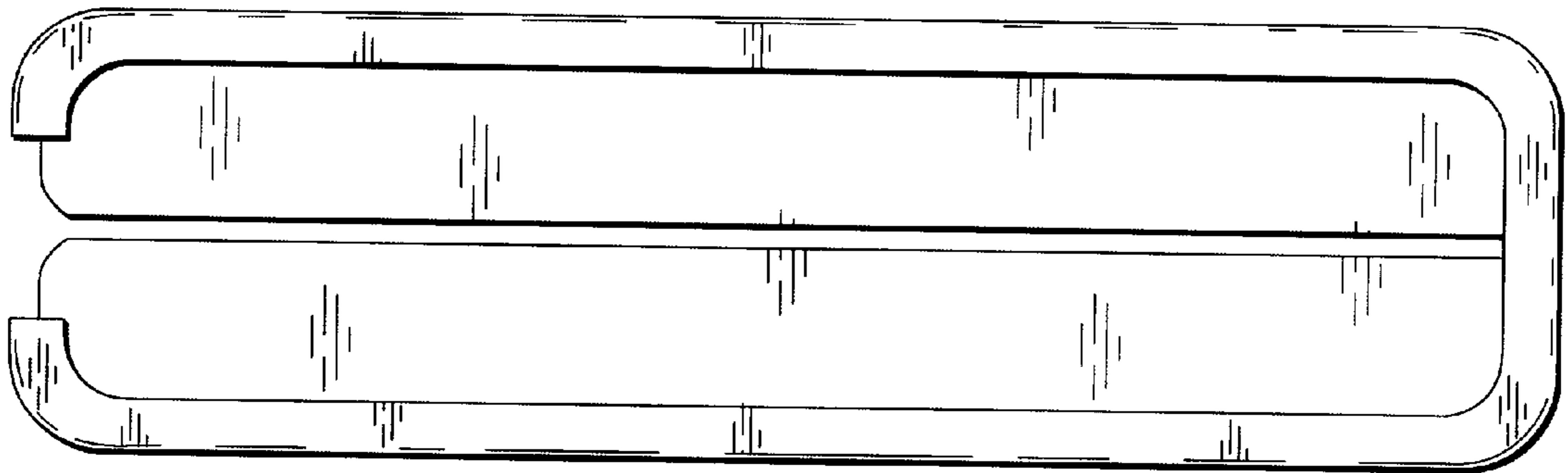


Fig. 2

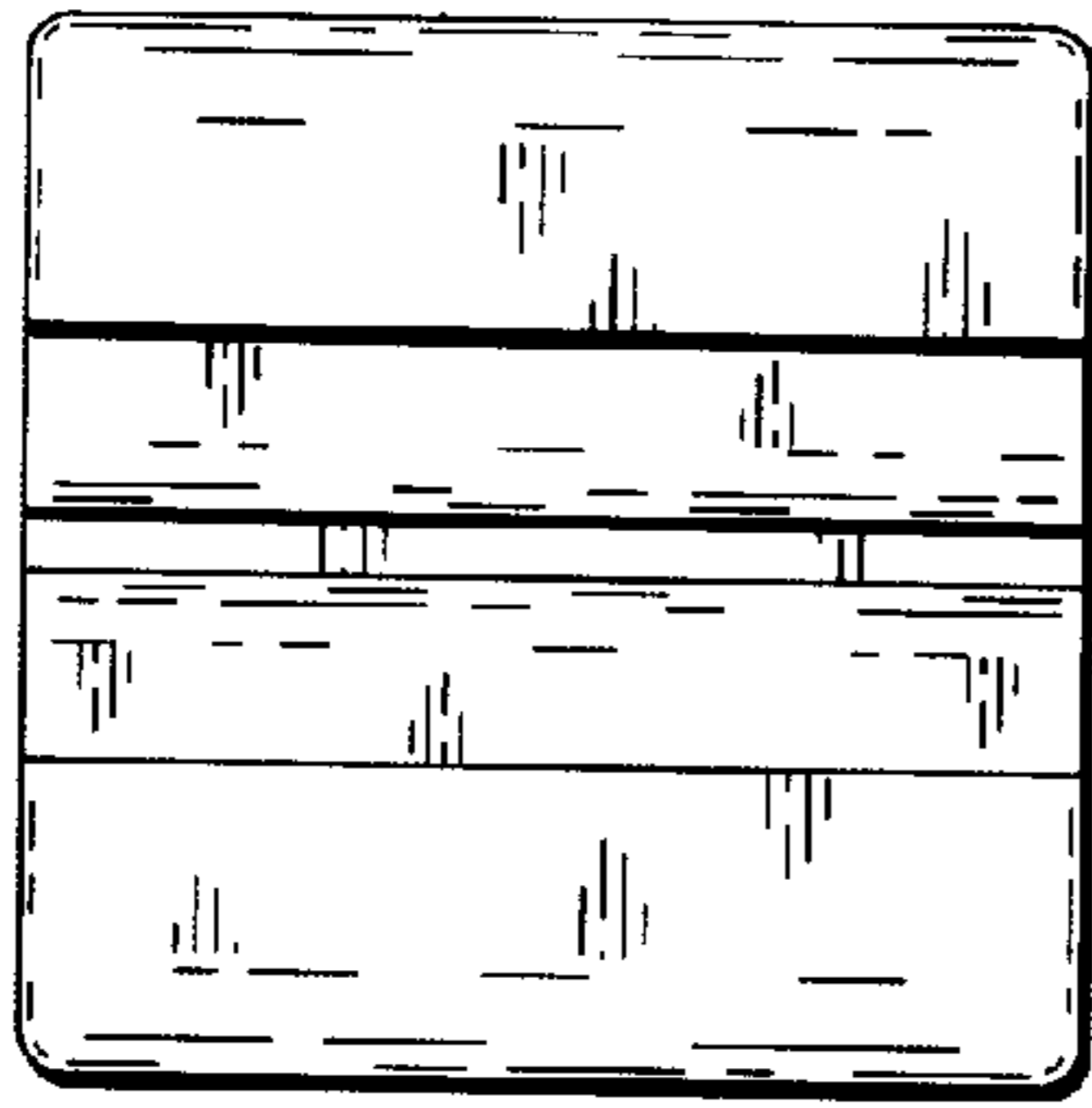


Fig. 3

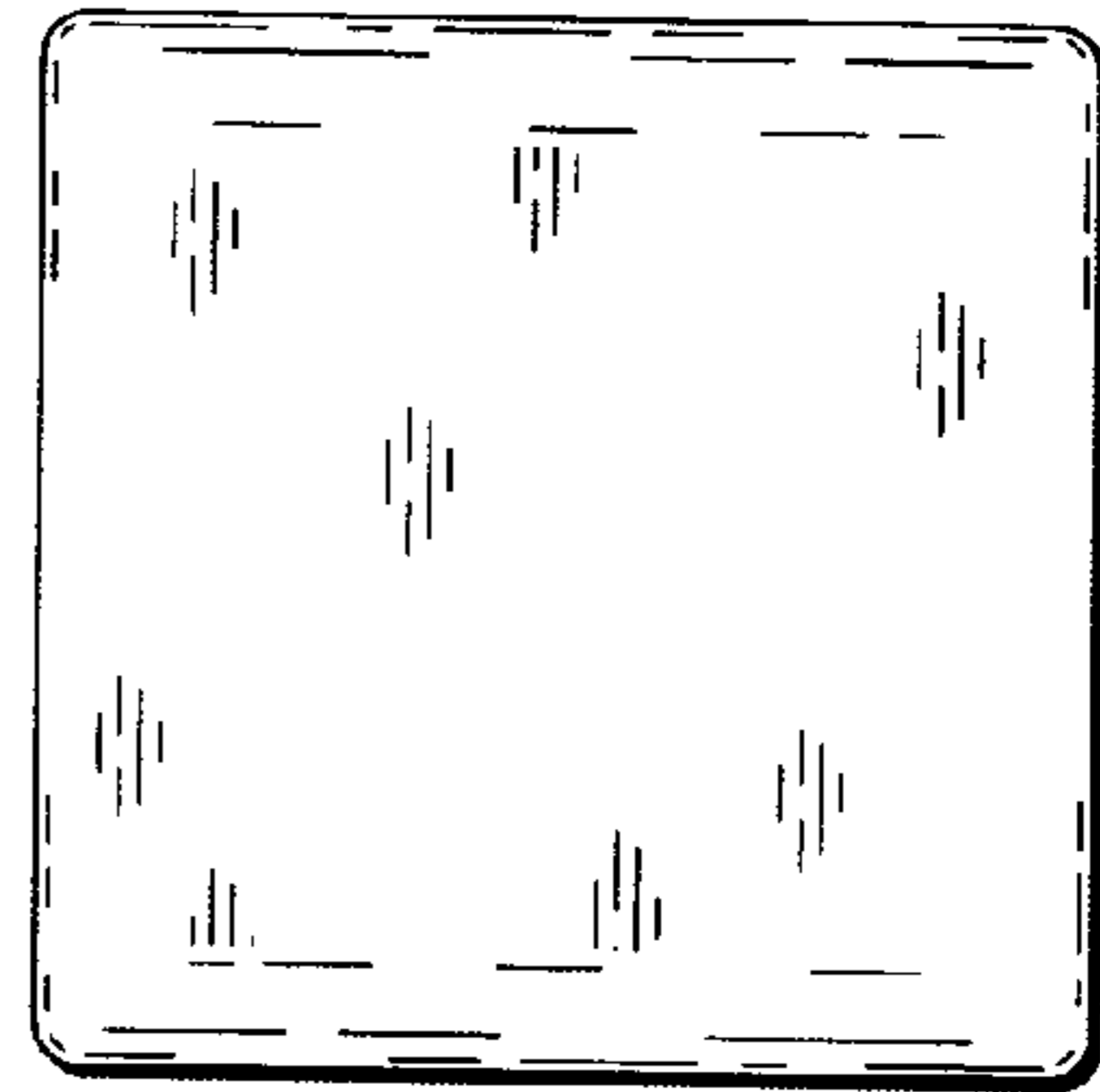


Fig. 4

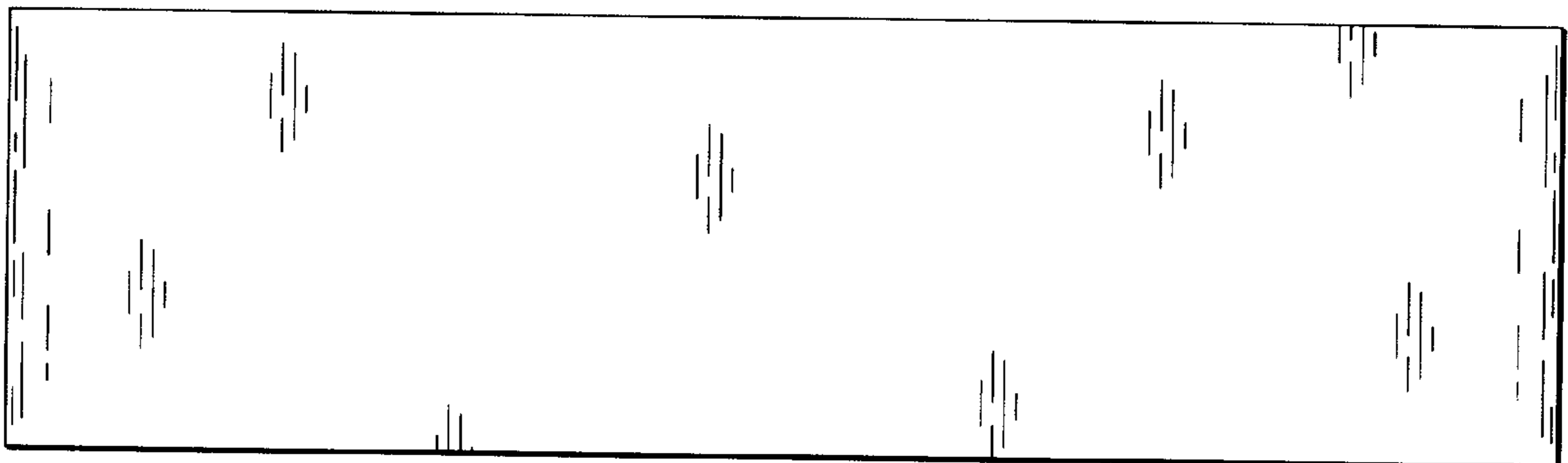


Fig. 5