



US00D484034S

(12) **United States Design Patent**  
**Smith-Kielland et al.**

(10) **Patent No.: US D484,034 S**

(45) **Date of Patent: \*\* Dec. 23, 2003**

(54) **WIRE CLAMPING DEVICE USING A FLEXIBLE STRAP**

D274,796 S \* 7/1984 Humble ..... D8/394  
D283,201 S \* 4/1986 Zoroufy ..... D8/382  
D317,571 S \* 6/1991 Henriksson ..... D8/394  
D342,669 S \* 12/1993 Solomon ..... D8/396

(76) Inventors: **Ingvald Alain Smith-Kielland**, 2133-1  
Dublin La., Diamond Bar, CA (US)  
91765; **Stephen Brian Gates**, 24751  
Daphne East, Mission Viejo, CA (US)  
92691; **Thomas Charles Weiss**, 1545  
Vandagriff Way, Corona, CA (US)  
92883

\* cited by examiner

*Primary Examiner*—Louis S. Zarfaz  
*Assistant Examiner*—Gregory Andoll  
(74) *Attorney, Agent, or Firm*—Gene Scott-Patent Law &  
Venture Group

(\*\*) Term: **14 Years**

(57) **CLAIM**

(21) Appl. No.: **29/170,379**

The ornamental design for a wire clamping device using a flexible strap, as shown and described.

(22) Filed: **Nov. 4, 2002**

**DESCRIPTION**

(51) **LOC (7) Cl.** ..... **08-08**

(52) **U.S. Cl.** ..... **D8/394**; 248/68.1

(58) **Field of Search** ..... D8/382, 394, 395,  
D8/396, 72-74; 439/465; 248/74.1, 74.2,  
68.1, 49; 24/130, 132 R, 136 R

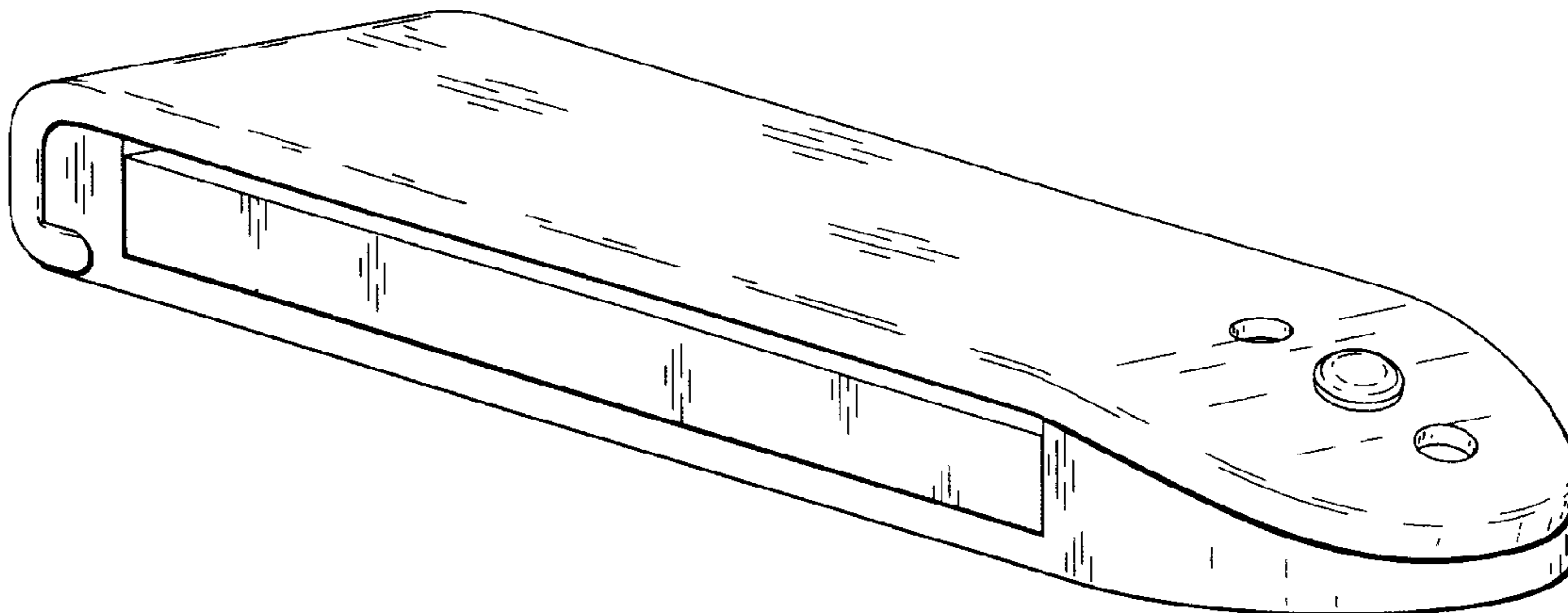
FIG. 1 is a perspective view of a wire clamping device using a flexible strap, showing my new design;  
FIG. 2 is a left side elevational view thereof, the right side elevational view being a mirror image thereof;  
FIG. 3 is a front elevational view thereof;  
FIG. 4 is a rear elevational view thereof;  
FIG. 5 is a top plan view thereof; and,  
FIG. 6 is a bottom plan view thereof.

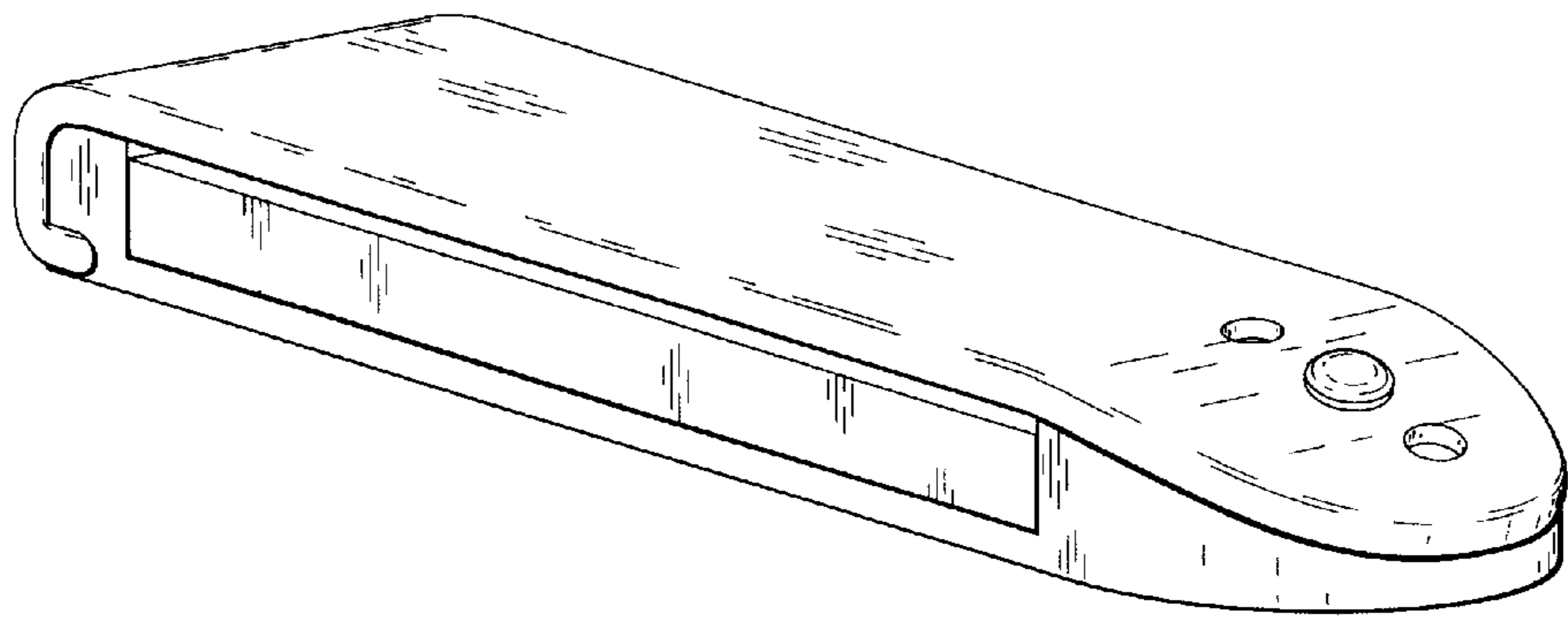
(56) **References Cited**

**U.S. PATENT DOCUMENTS**

3,906,592 A \* 9/1975 Sakasegawa et al. .... 248/68.1

**1 Claim, 2 Drawing Sheets**

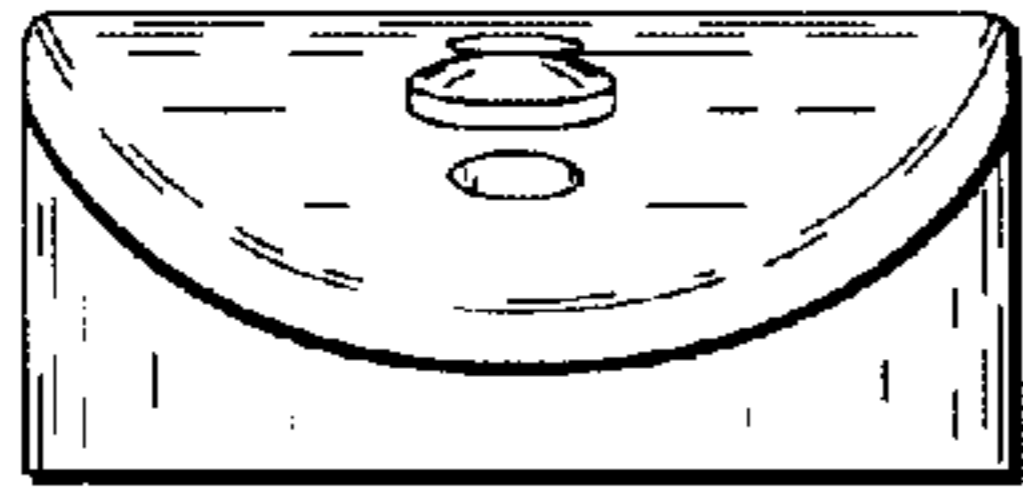




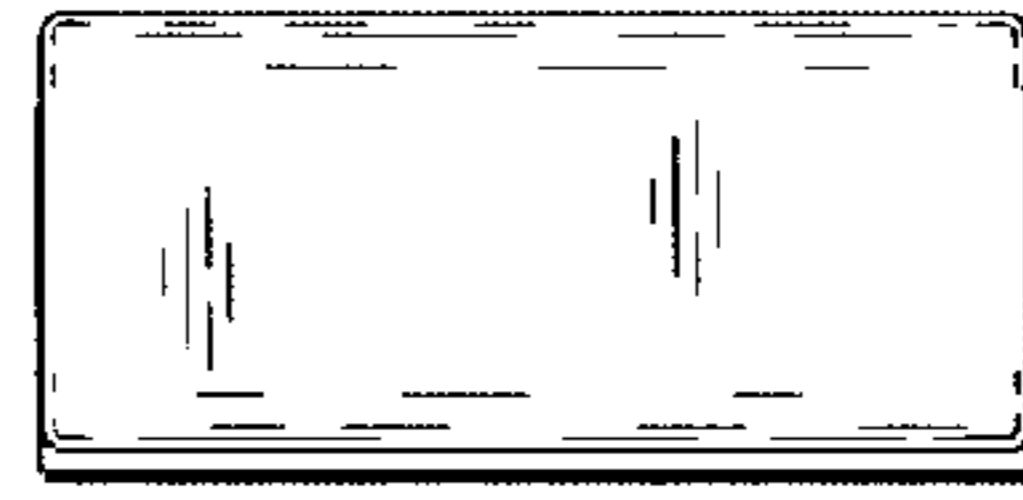
*Fig. 1*



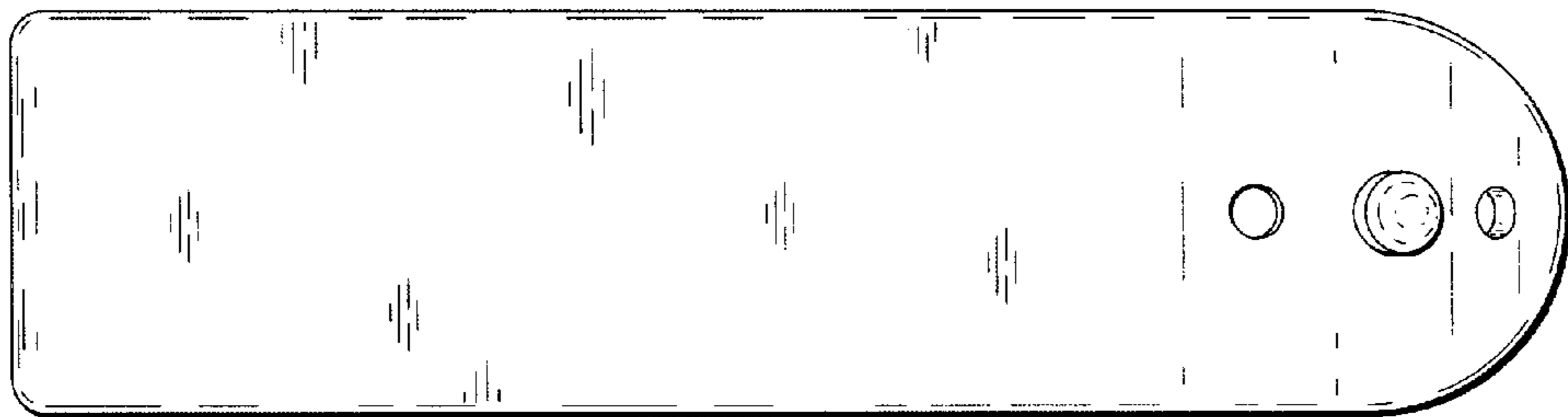
*Fig. 2*



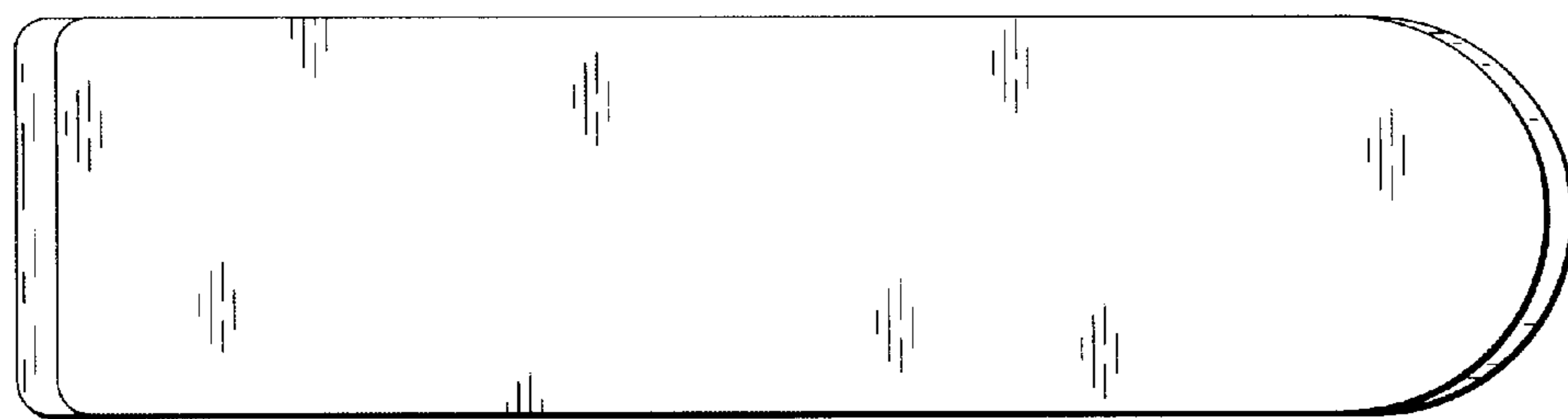
*Fig. 3*



*Fig. 4*



*Fig. 5*



*Fig. 6*