



US00D484033S

(12) **United States Design Patent**
Smith-Kielland et al.

(10) **Patent No.:** **US D484,033 S**

(45) **Date of Patent:** **** Dec. 23, 2003**

(54) **SPLIT WIRES CLAMP**

(76) Inventors: **Inguald Alain Smith-Kielland**, 2133-1
Dublin Lane, CA91765, Diamond Bar
(NO); **Stephen Brian Gates**, 24751
Daphne E., Mission Viejo, CA (US)
92691; **Thomas Charles Weiss**, 1545
Vandagriff Way, Corona, CA (US)
92883

(**) Term: **14 Years**

(21) Appl. No.: **29/170,378**

(22) Filed: **Nov. 4, 2002**

(51) **LOC (7) Cl.** **08-08**

(52) **U.S. Cl.** **D8/394**; 248/68.1

(58) **Field of Search** D8/382, 394, 395,
D8/396, 72-74; 439/465; 248/74.1, 74.2,
68.1, 49; 24/130, 132 R, 136 R

(56) **References Cited**

U.S. PATENT DOCUMENTS

551,032 A * 12/1895 Hemphill 248/68.1
3,906,592 A * 9/1975 Sakasegawa et al. 248/68.1

D305,611 S * 1/1990 Herzog et al. D8/395
D329,373 S * 9/1992 Kaga D8/394
D439,831 S * 4/2001 Henriksson D8/394
D448,280 S * 9/2001 Bourgerie D8/394

* cited by examiner

Primary Examiner—Louis S. Zarfes
Assistant Examiner—Gregory Andoll
(74) *Attorney, Agent, or Firm*—Gene Scott-Patent Law &
Venture Group

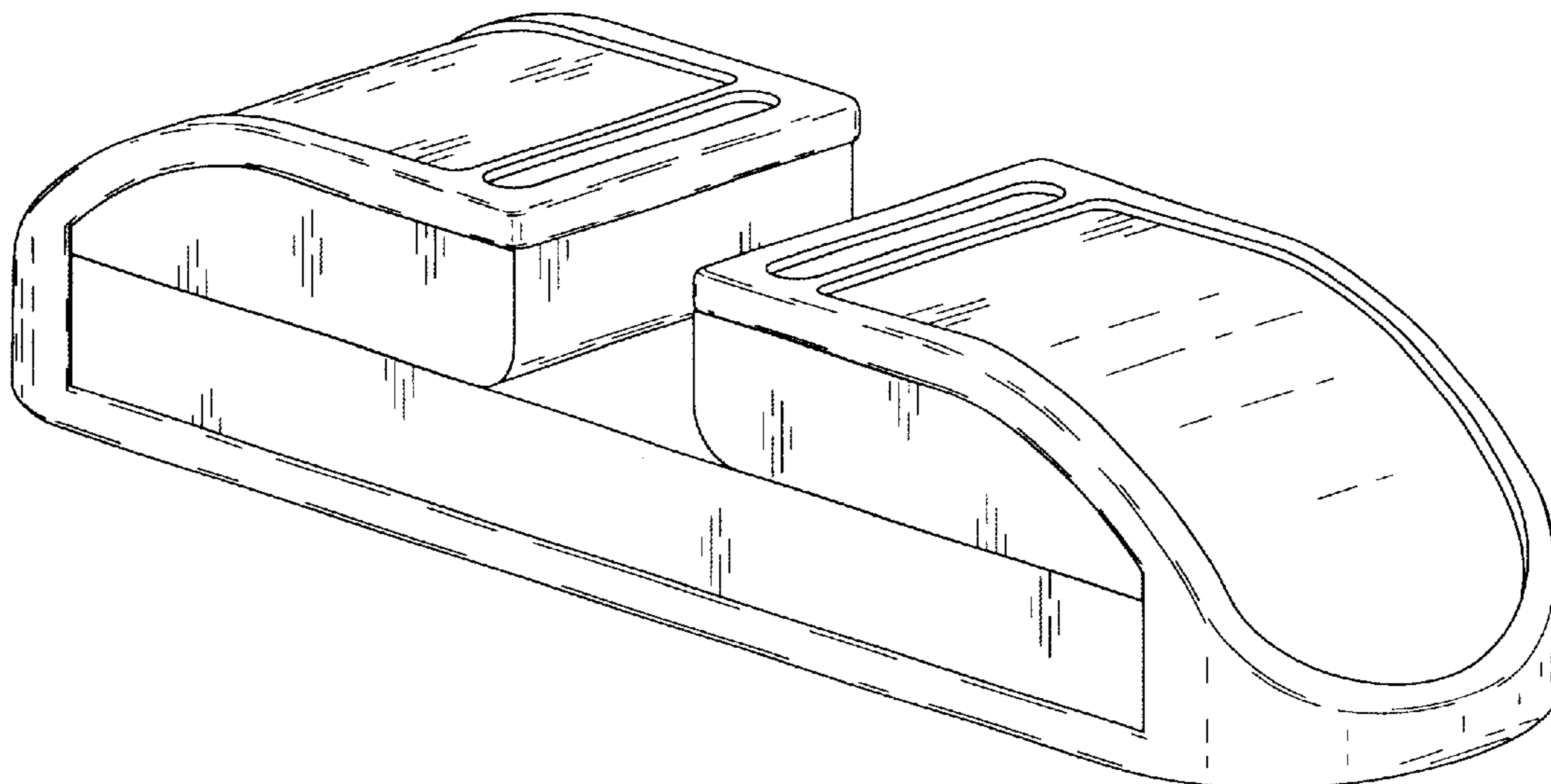
(57) **CLAIM**

The ornamental design for a split wires clamp, as shown and described.

DESCRIPTION

FIG. 1 is a perspective view of a split wires clamp, showing my new design;
FIG. 2 is a right side elevation view thereof, the left side elevation view being a mirror image thereof;
FIG. 3 is a front elevation view thereof, the rear elevation view being a mirror image thereof;
FIG. 4 is a top plan view thereof; and,
FIG. 5 is a bottom plan view thereof.

1 Claim, 2 Drawing Sheets



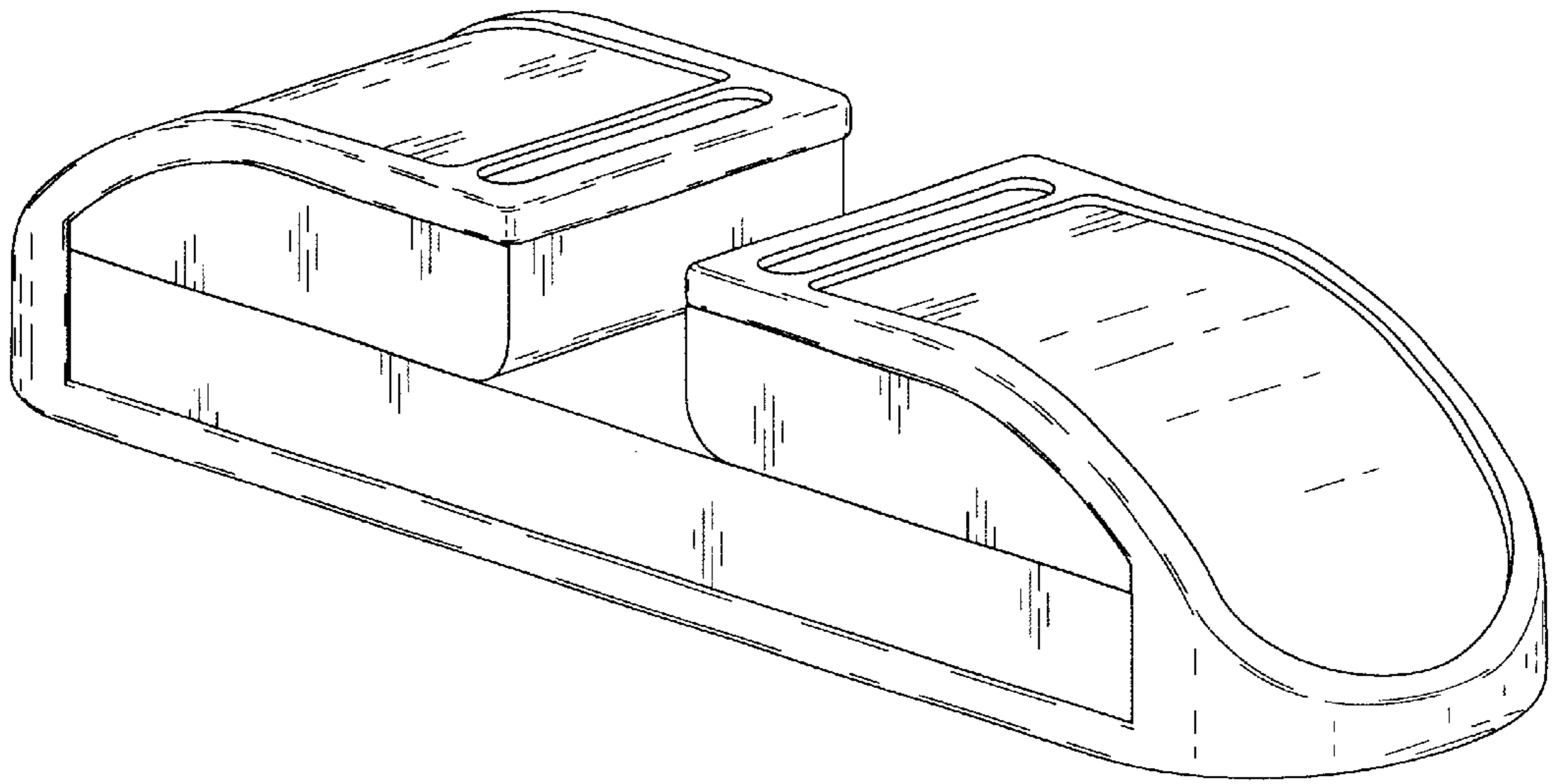


Fig. 1

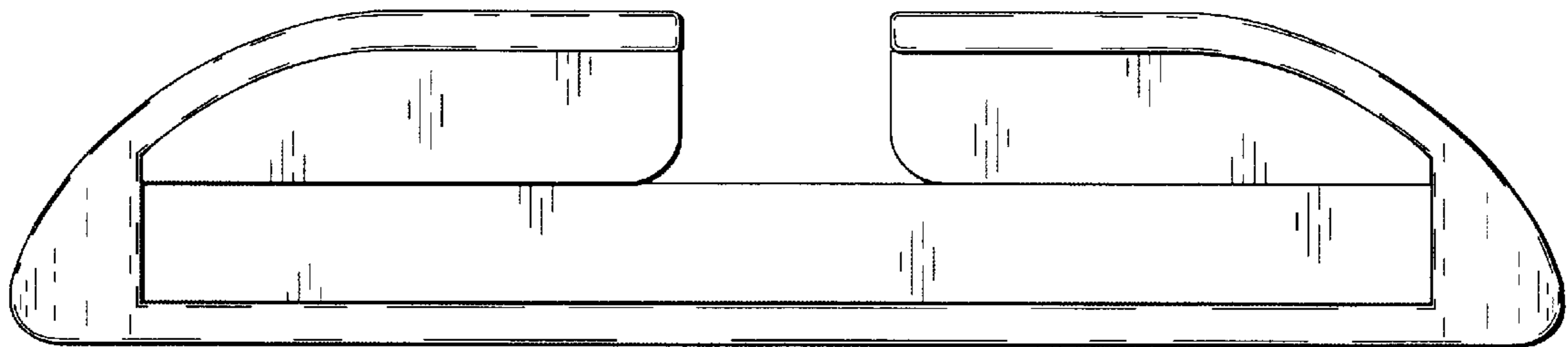


Fig. 2

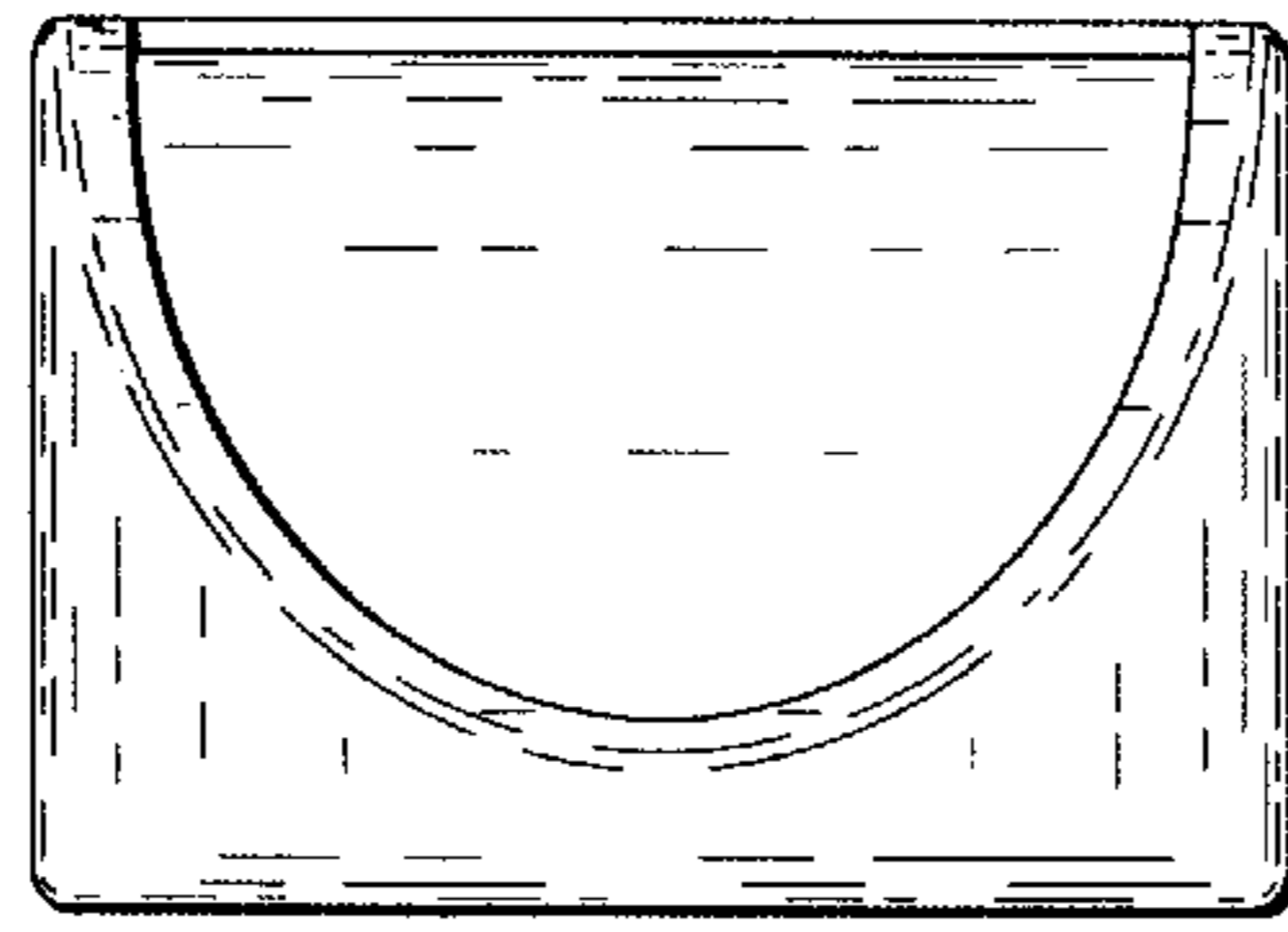


Fig. 3

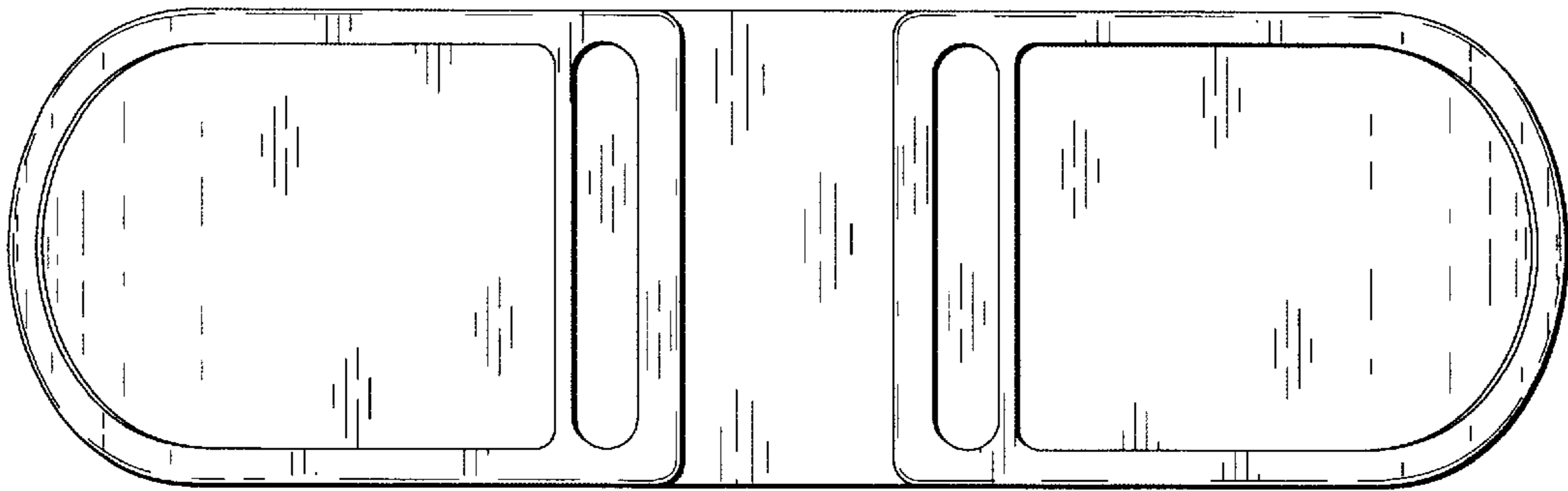


Fig. 4

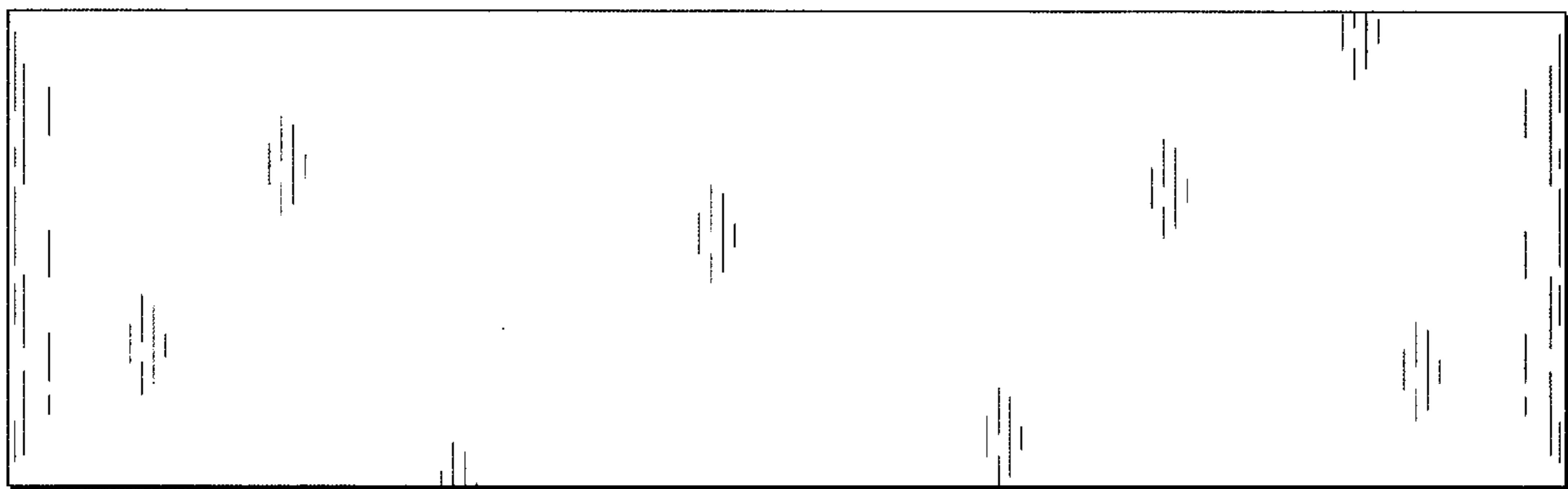


Fig. 5