



US00D484027S

(12) **United States Design Patent**
Clucas

(10) **Patent No.:** **US D484,027 S**

(45) **Date of Patent:** **** Dec. 23, 2003**

(54) **CURTAIN HOOK**

D463,730 S * 10/2002 Snell D8/367

(75) Inventor: **Michael P. Clucas**, Boothwyn, PA (US)

* cited by examiner

(73) Assignee: **Zenith Products Corp.**, New Castle, DE (US)

Primary Examiner—Pamela Burgess
(74) *Attorney, Agent, or Firm*—Edgar A. Zarins; Lloyd A. Doigan

(**) Term: **14 Years**

(57) **CLAIM**

(21) Appl. No.: **29/172,327**

The ornamental design for a curtain hook, as shown and described.

(22) Filed: **Dec. 10, 2002**

(51) **LOC (7) Cl.** **08-05**

(52) **U.S. Cl.** **D8/368**

(58) **Field of Search** D8/368, 370; D6/323; 24/716; 248/302–304, 214–215, 339, 222.51; 211/113, 123, 118, 106.01, 87.01, 32; 160/348

DESCRIPTION

(56) **References Cited**

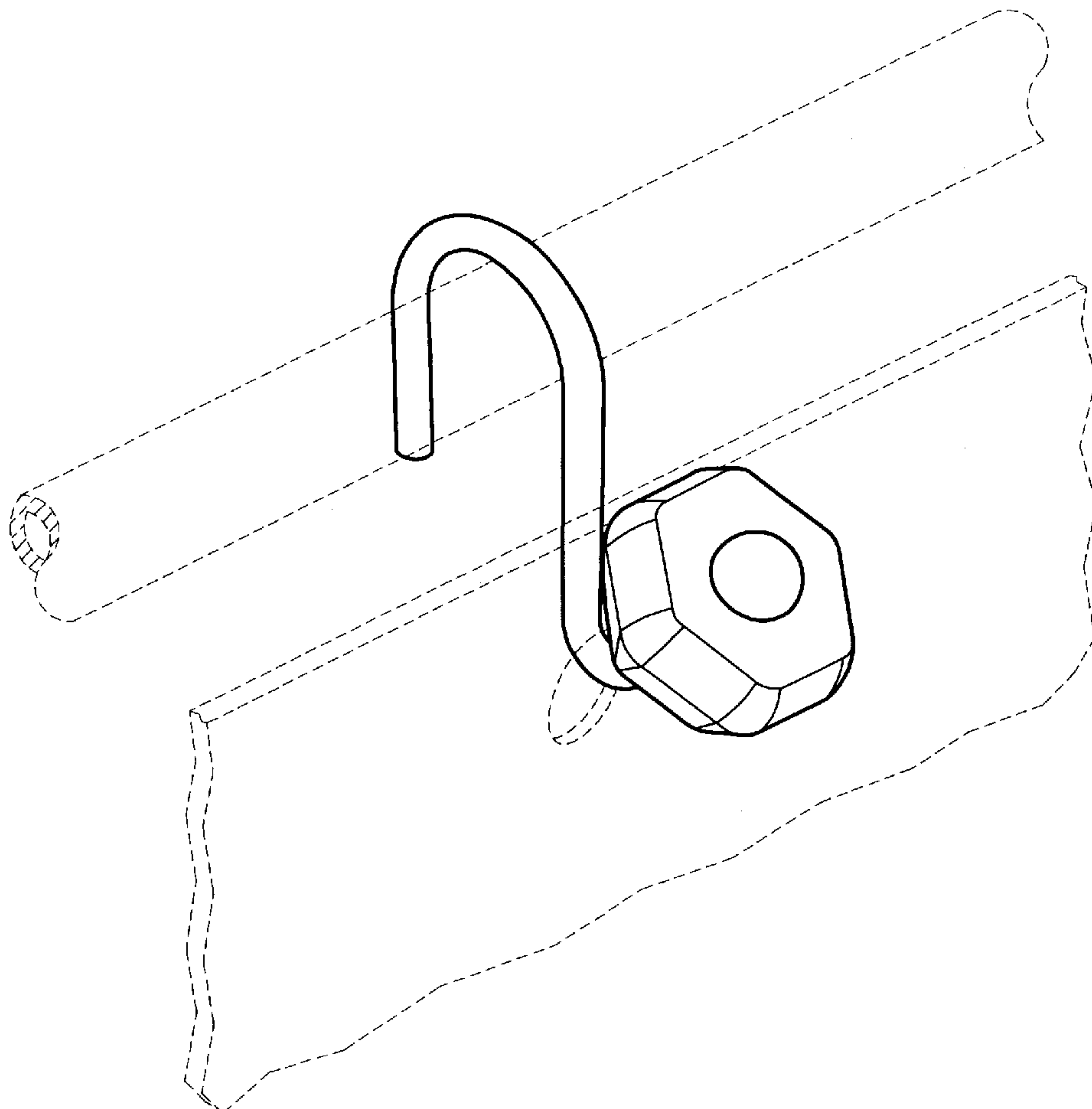
U.S. PATENT DOCUMENTS

- 2,025,437 A * 12/1935 Brown 211/32
- D301,807 S * 6/1989 Friedman D6/323
- 4,953,817 A * 9/1990 Mosteller 248/222.51
- 5,343,925 A * 9/1994 Hannerstig 160/348
- 5,586,375 A * 12/1996 Cooperman et al. 24/716

FIG. 1 is a perspective view of a curtain hook showing my new design;
FIG. 2 is a front elevational view thereof;
FIG. 3 is a top plan view thereof;
FIG. 4 is a right side view thereof;
FIG. 5 is a rear view thereof;
FIG. 6 is a left side view thereof; and,
FIG. 7 is a bottom plan view thereof.

The broken lines shown in the figures are for illustrative purposes only and form no part of the claimed design.

1 Claim, 4 Drawing Sheets



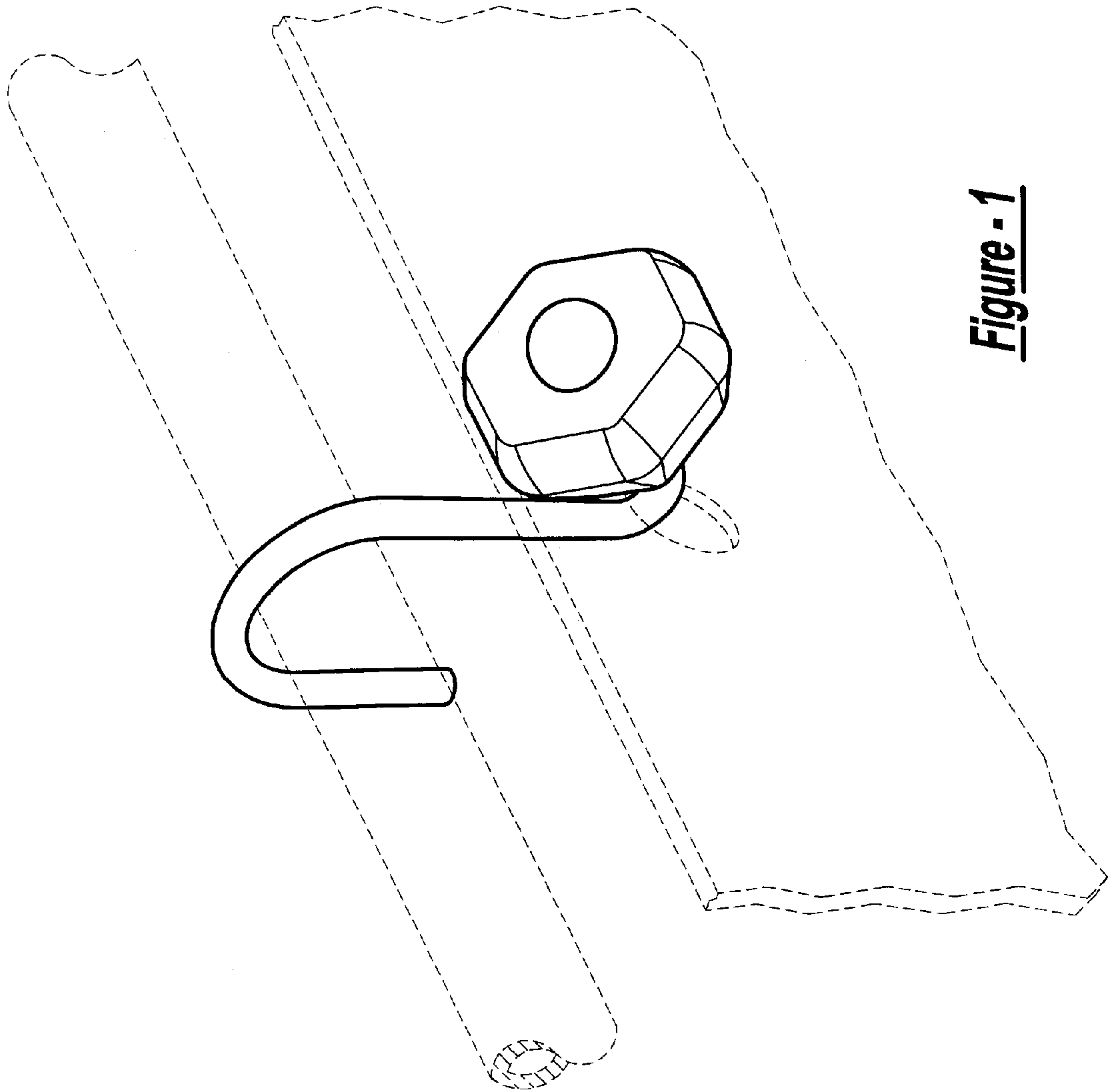


Figure - 1

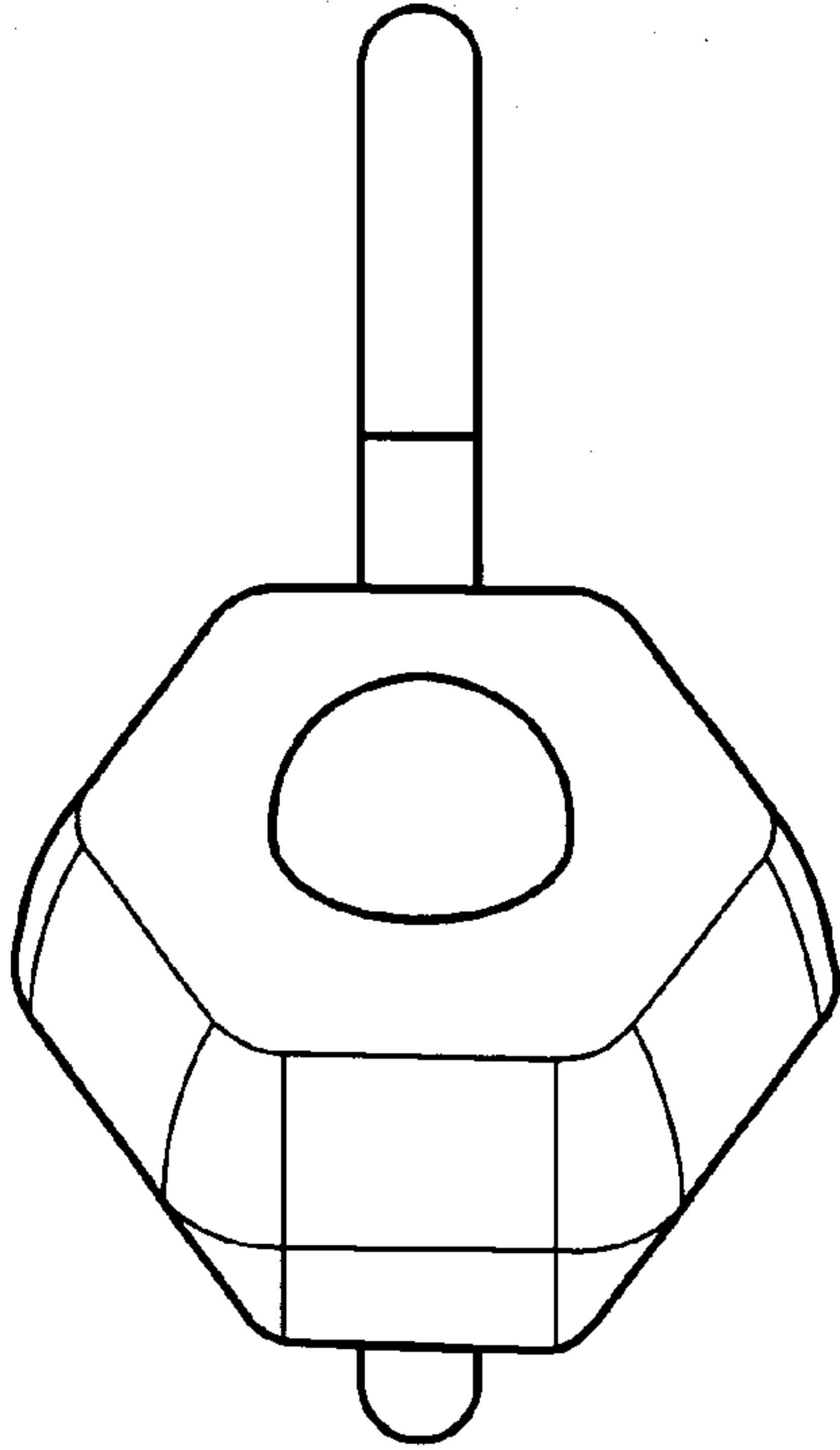


Figure - 2

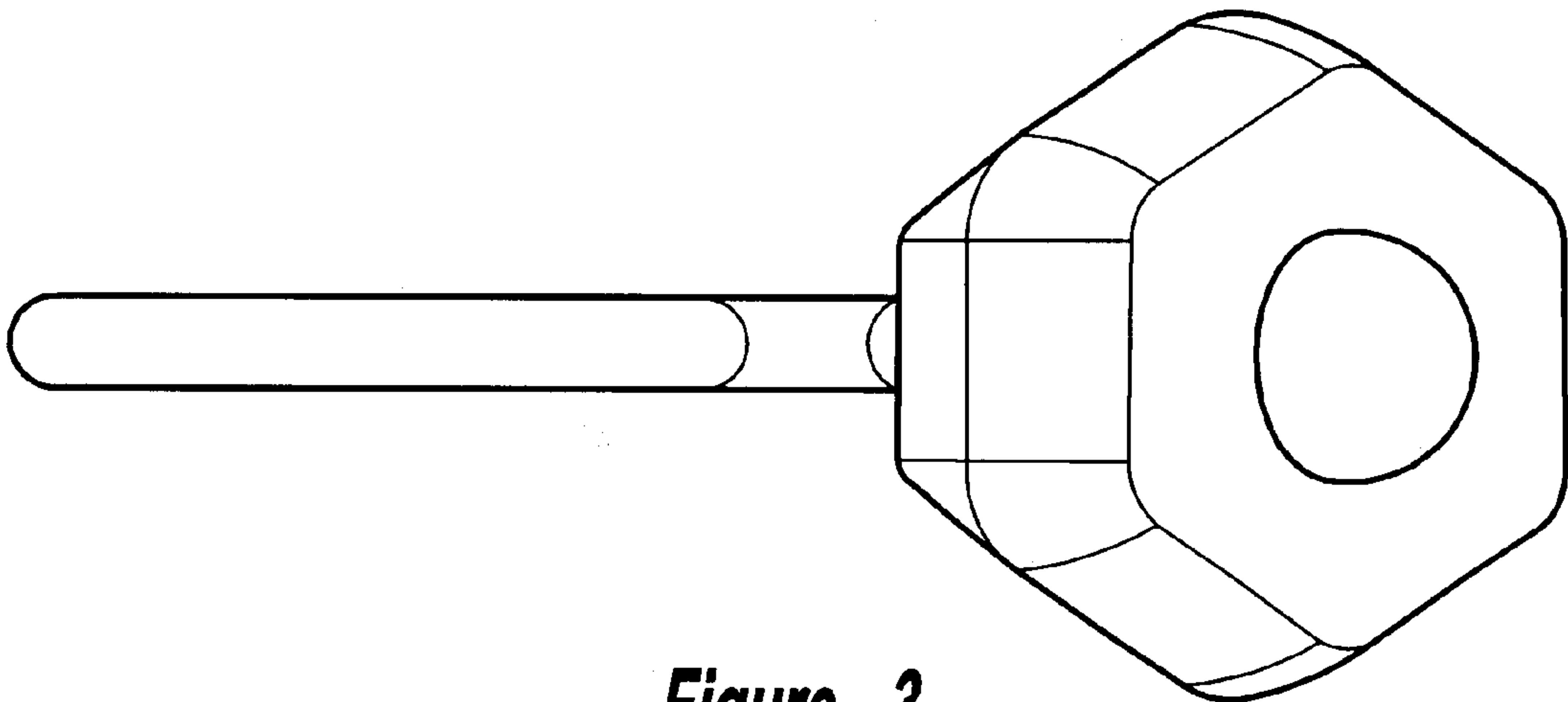


Figure - 3

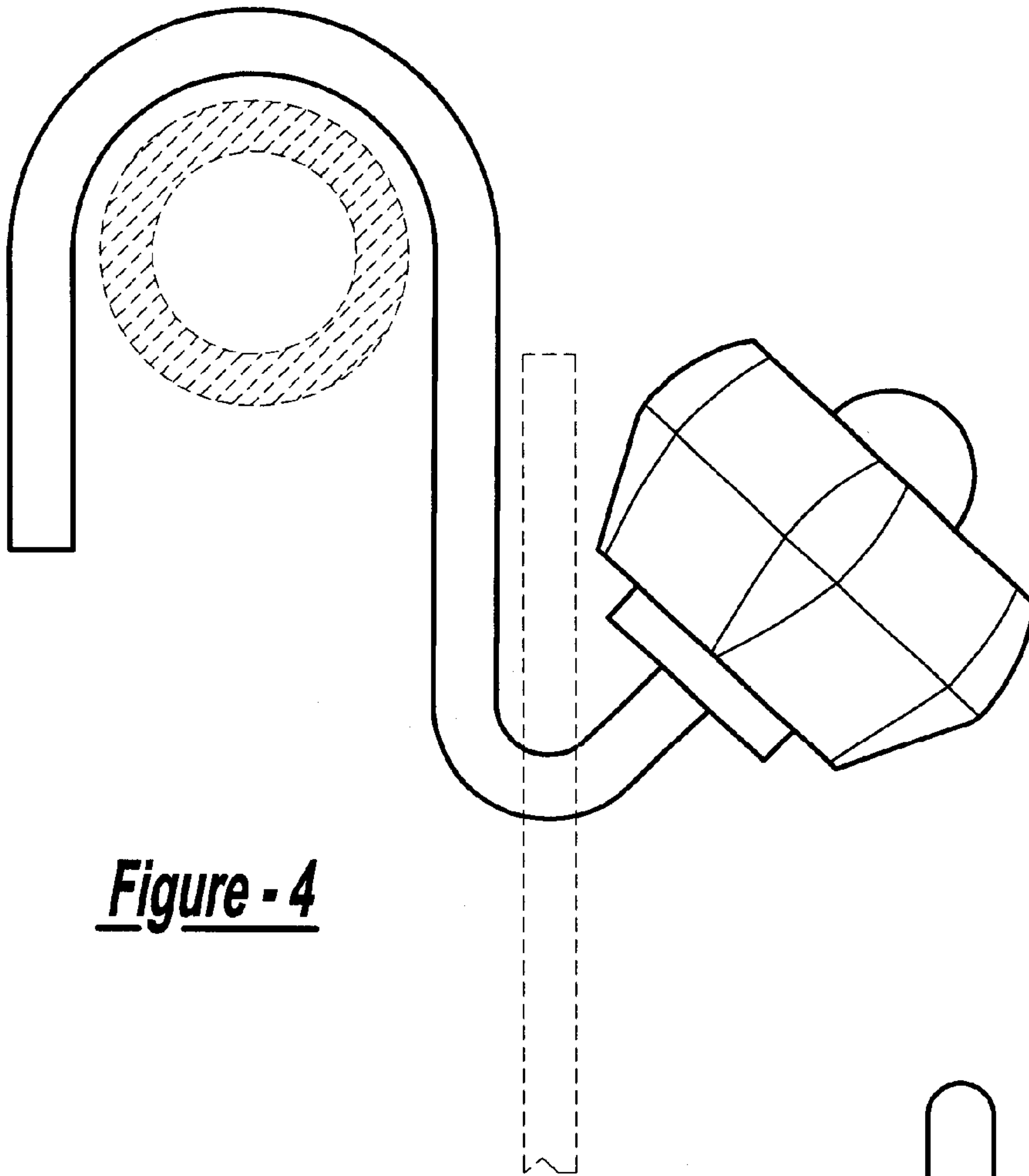


Figure - 4

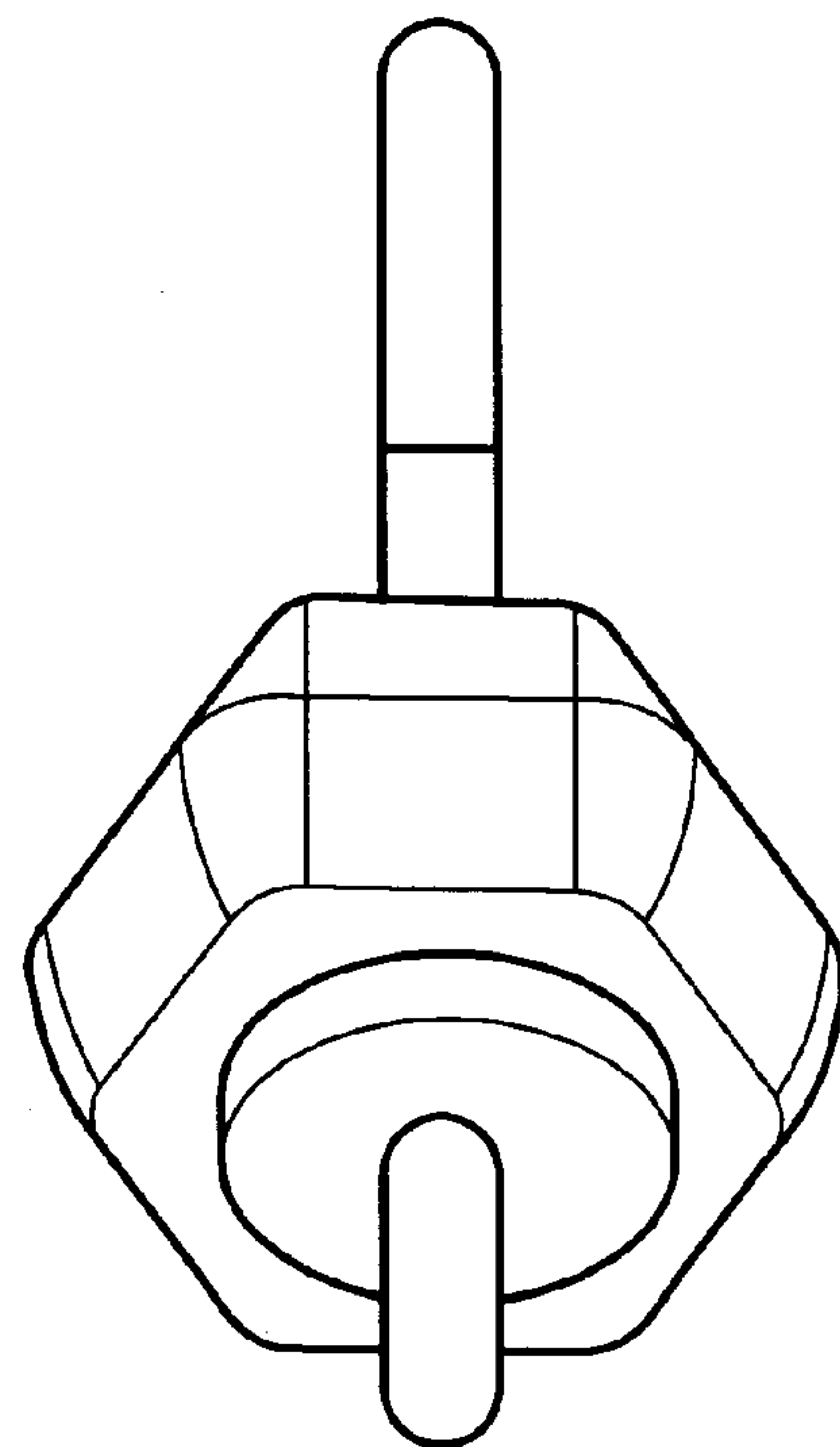


Figure - 5

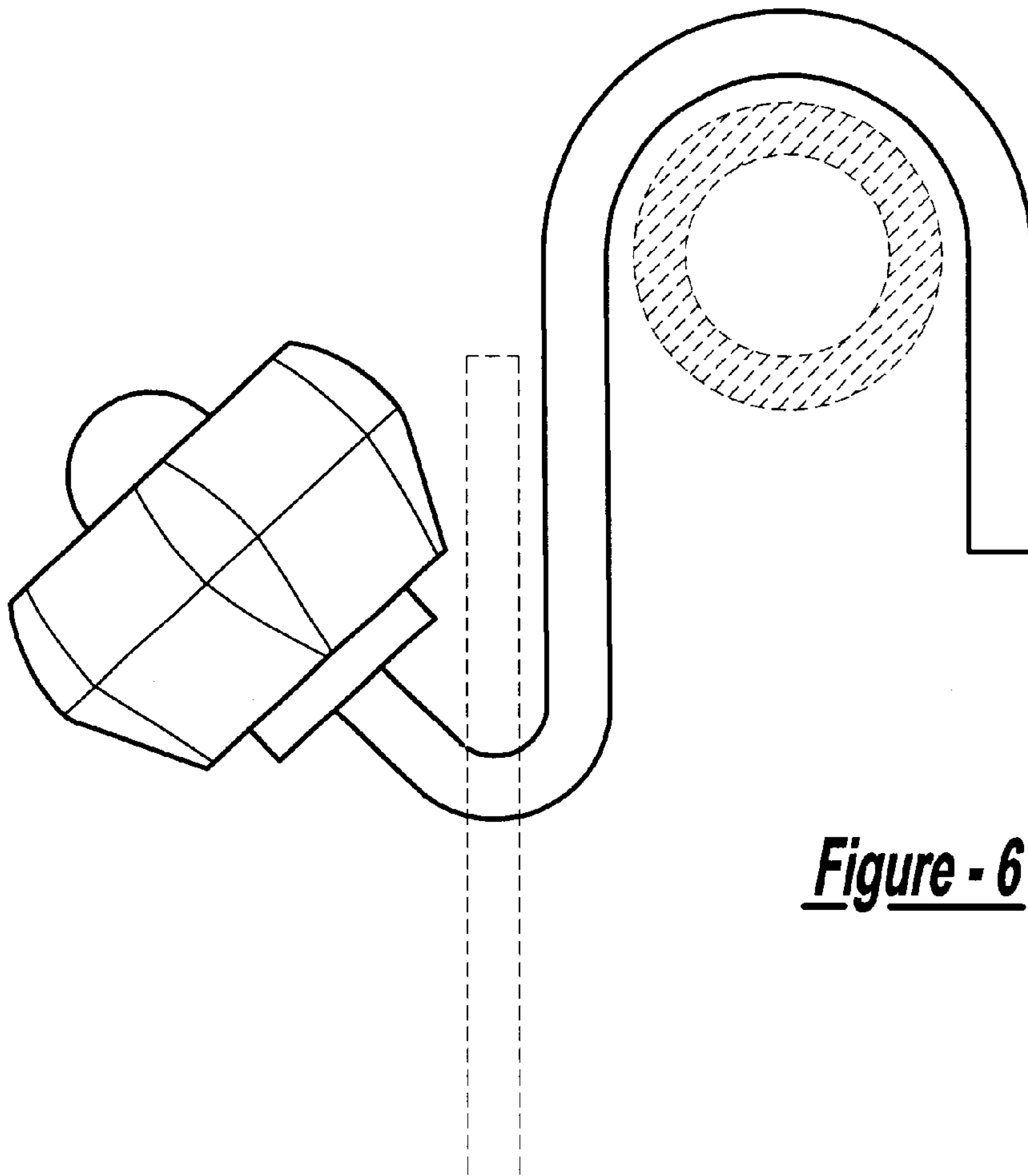


Figure - 6

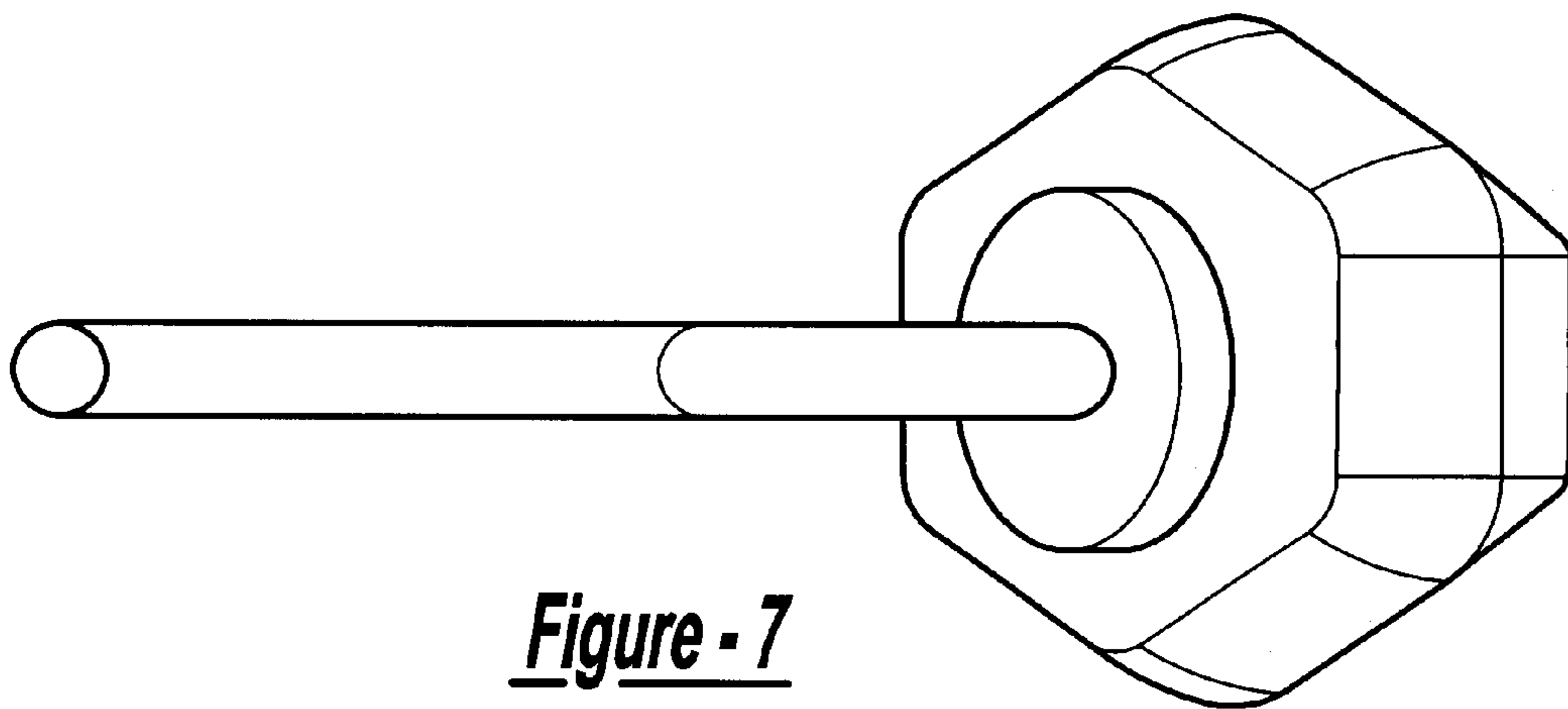


Figure - 7