



US00D484026S

(12) **United States Design Patent**
Fleury et al.

(10) **Patent No.:** **US D484,026 S**

(45) **Date of Patent:** **** Dec. 23, 2003**

(54) **HYDRANT SECURITY DEVICE**

5,549,133 A * 8/1996 Sigelakis 137/296
6,463,953 B1 * 10/2002 Cuzzo et al. 137/296

(75) Inventors: **Leo W. Fleury**, N. Smithfield, RI (US);
Mikail German, Johnston, RI (US);
Ken Clark, Oreana, IL (US)

* cited by examiner

(73) Assignee: **Mueller International**, Smithfield, RI (US)

Primary Examiner—Brian N. Vinson
(74) *Attorney, Agent, or Firm*—Troutman Sanders LLP;
Gerald R. Boss, Esq.

(**) Term: **14 Years**

(57) **CLAIM**

(21) Appl. No.: **29/155,240**

The ornamental design for a hydrant security device, as shown and described.

(22) Filed: **Feb. 8, 2002**

DESCRIPTION

(51) **LOC (7) Cl.** **08-07**

(52) **U.S. Cl.** **D8/333**

(58) **Field of Search** D6/330, 331, 346;
70/14, 174, 175, 178, 57; 137/86, 296

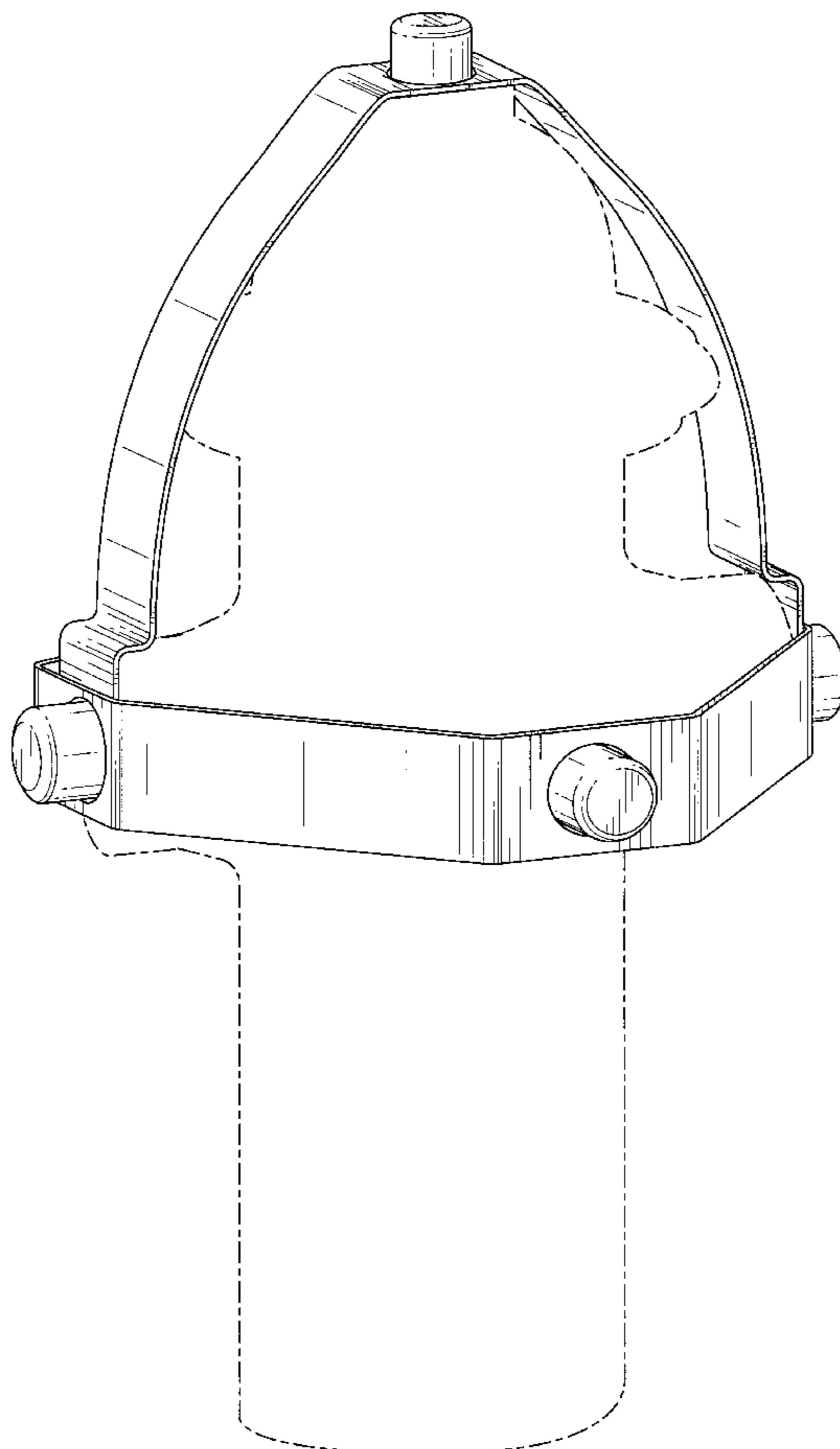
FIG. 1 a front perspective view of the hydrant locking device of our invention;
FIG. 2 is a rear elevational view;
FIG. 3 is a front view in elevation;
FIG. 4 is an elevational view from the right of FIG. 3;
FIG. 5 is an elevational view from the left of FIG. 3;
FIG. 6 is top plan view of the locking device of FIG. 2;
FIG. 7 is a bottom plan view of the locking device of FIG. 2; and,
FIG. 8 is a perspective view of the front of the locking device mounted on hydrant shown in broken lines.

(56) **References Cited**

U.S. PATENT DOCUMENTS

- 3,379,209 A * 4/1968 Spiselman 137/86
- 3,623,498 A * 11/1971 Manahan et al. 137/86
- 4,033,372 A * 7/1977 Bowman 137/296
- 4,736,765 A * 4/1988 Campbell 137/296
- D360,347 S * 7/1995 Pollard D8/331
- 5,469,724 A * 11/1995 Pollard 70/178

1 Claim, 8 Drawing Sheets



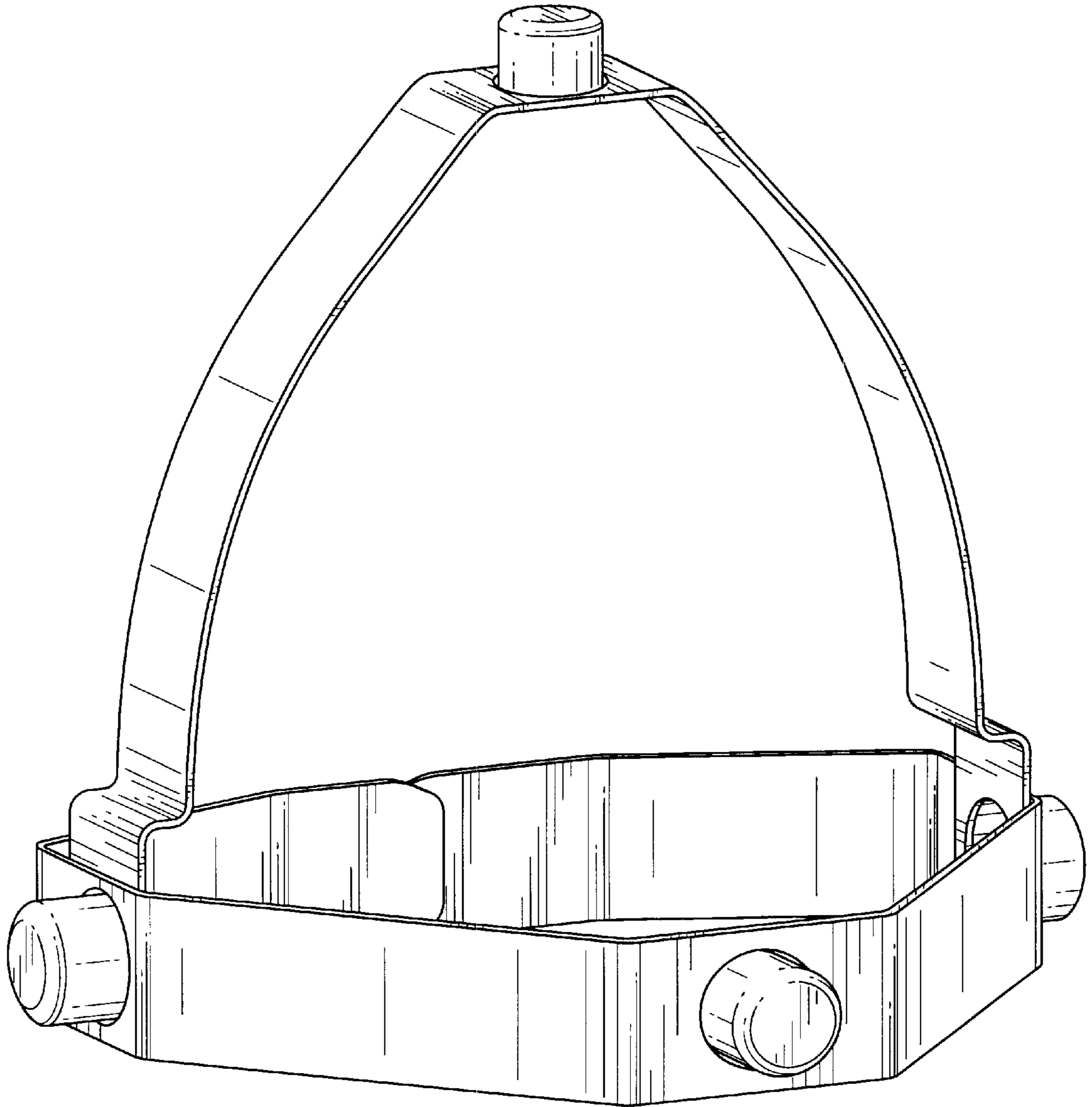


FIG. 1

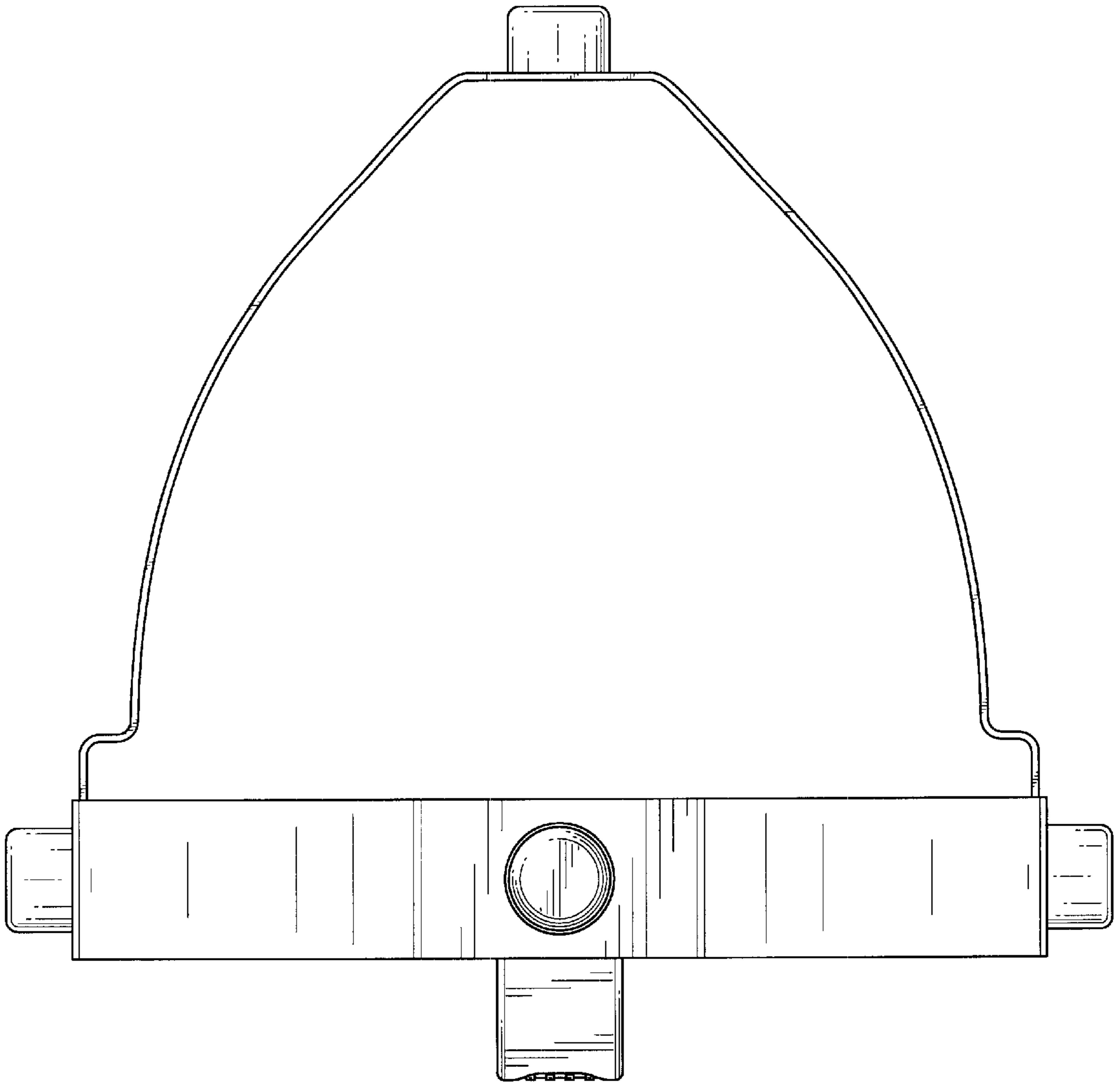


FIG. 2

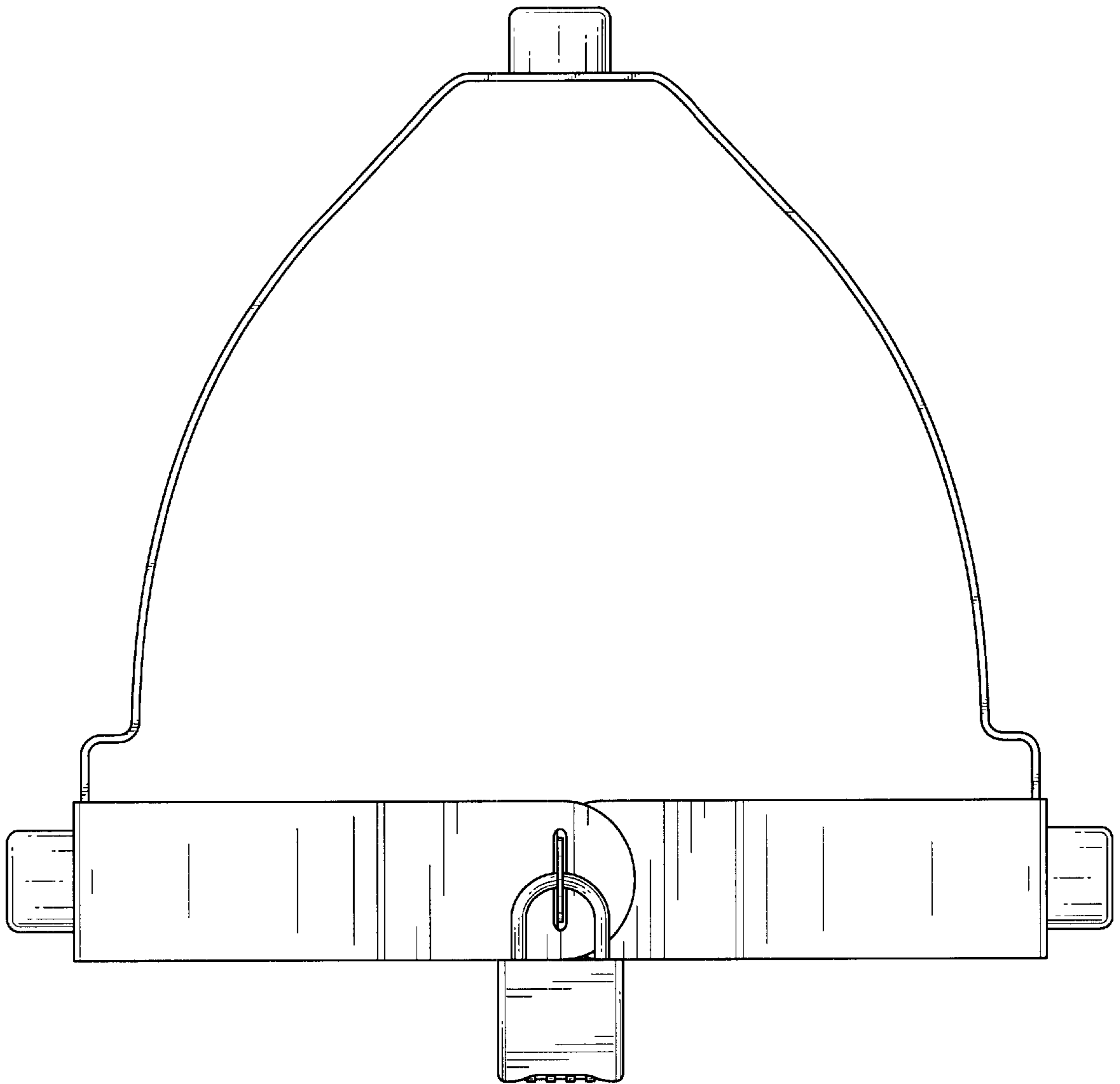


FIG. 3

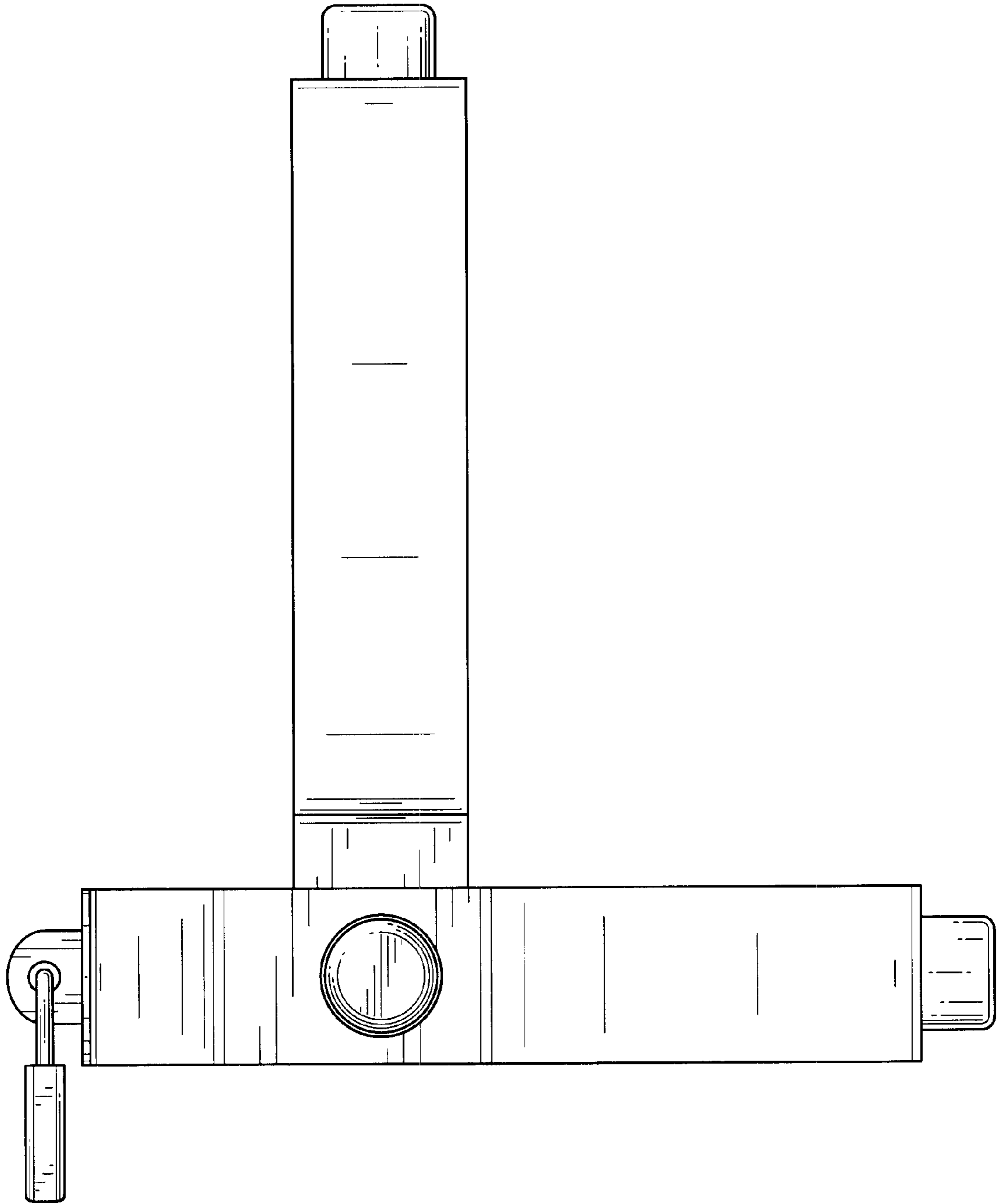


FIG. 4

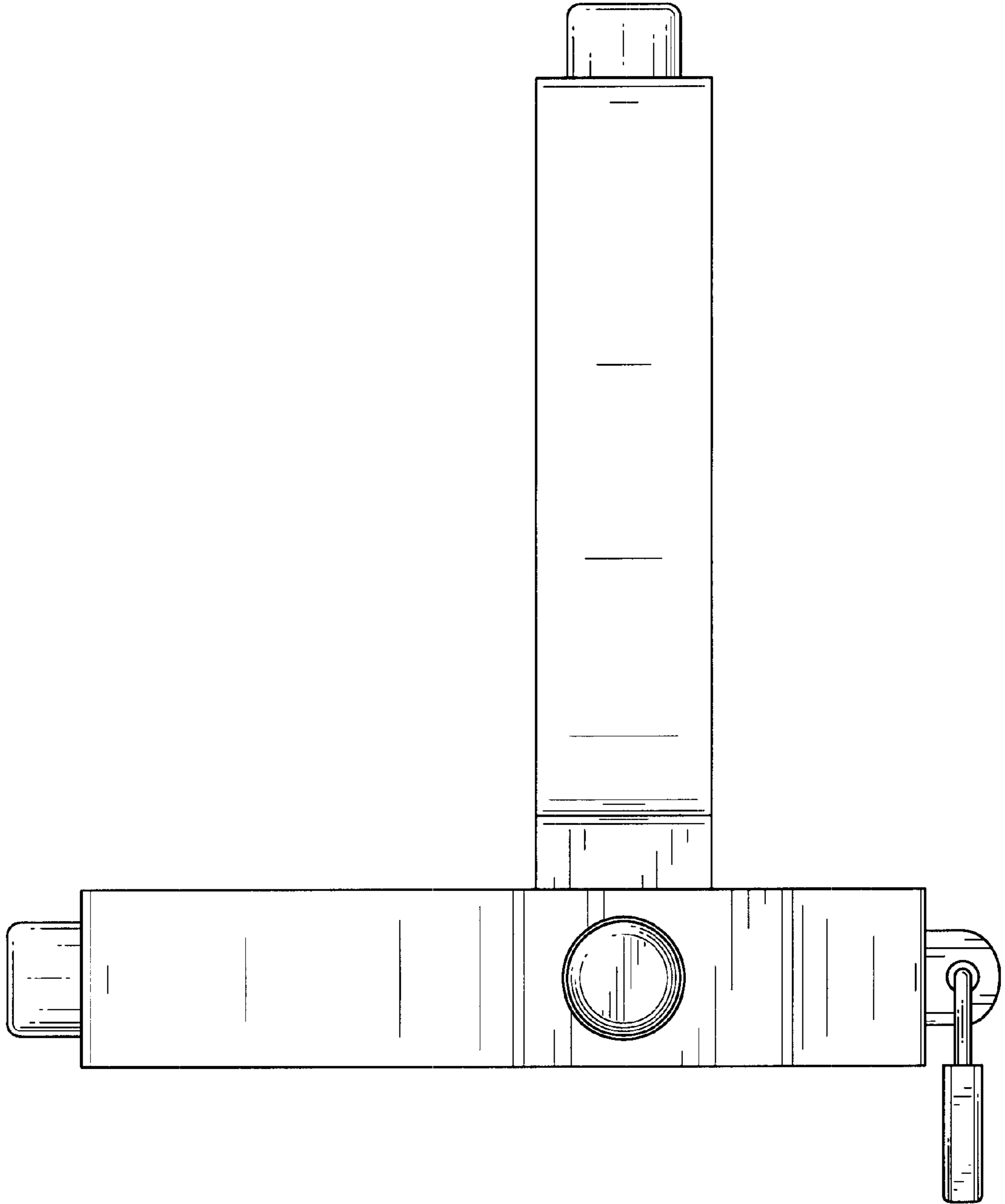


FIG. 5

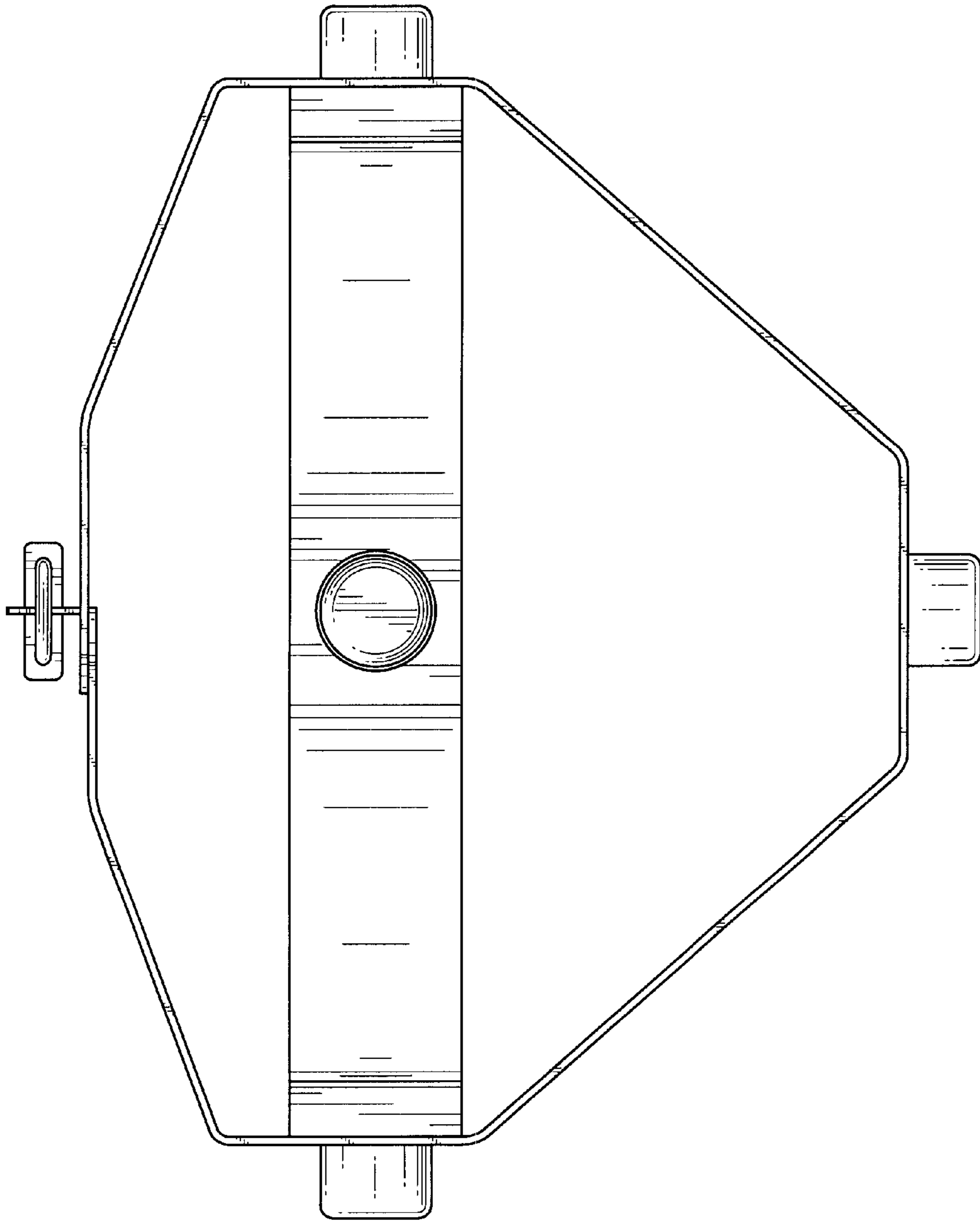


FIG. 6

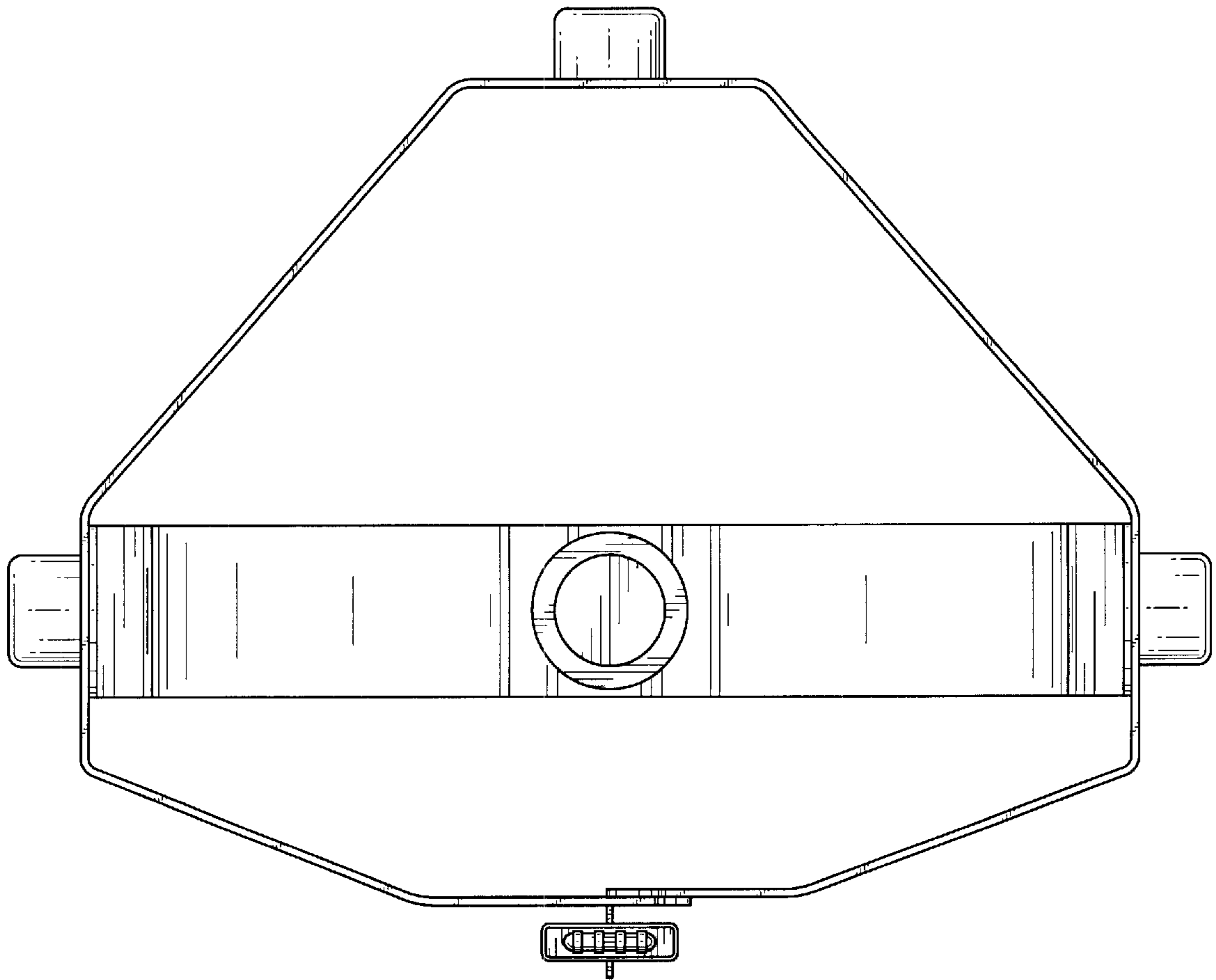


FIG. 7

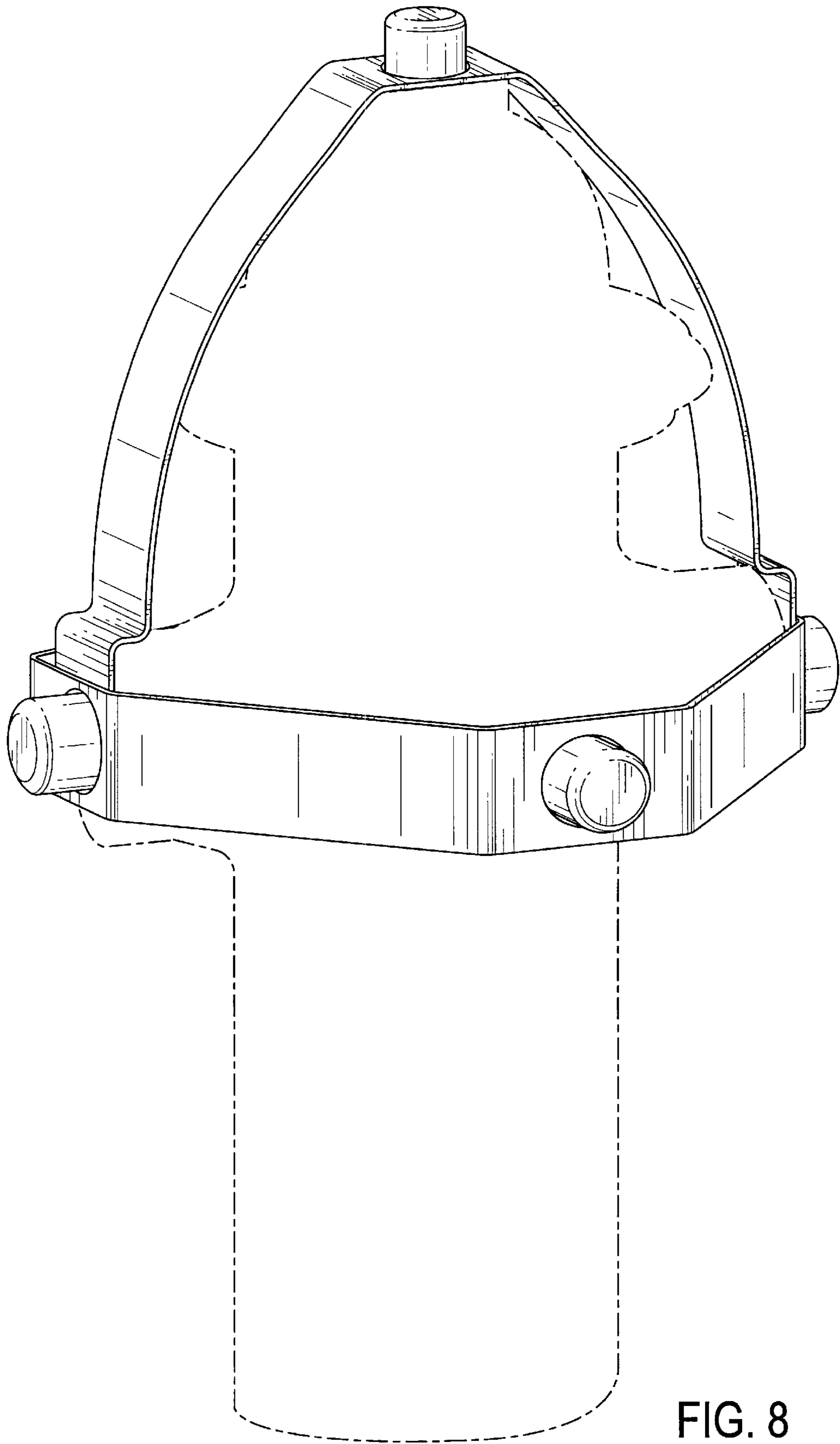


FIG. 8

UNITED STATES PATENT AND TRADEMARK OFFICE
CERTIFICATE OF CORRECTION

PATENT NO. : Des. 484,026 S
DATED : December 23, 2003
INVENTOR(S) : Fleury et al.

Page 1 of 1

It is certified that error appears in the above-identified patent and that said Letters Patent is hereby corrected as shown below:

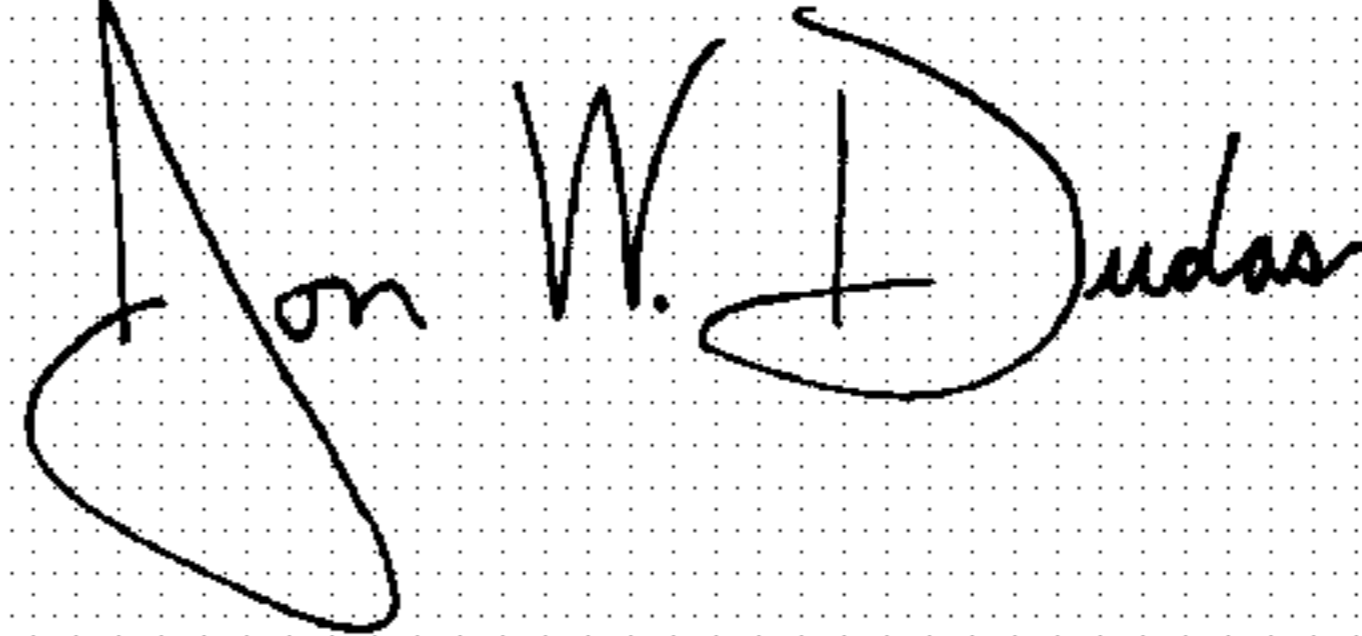
Title page,

Item [75], Inventors, the second inventor's name should read

-- **Mikhail German**, Johnston, RI (US); --

Signed and Sealed this

Twenty-seventh Day of April, 2004

A handwritten signature in black ink on a dotted background. The signature reads "Jon W. Dudas" in a cursive style.

JON W. DUDAS

Acting Director of the United States Patent and Trademark Office