



US00D484025S

(12) **United States Design Patent**
Chen

(10) **Patent No.:** **US D484,025 S**

(45) **Date of Patent:** **** Dec. 23, 2003**

(54) **TOOLBOX ROTARY LATCH**

(75) Inventor: **John Chen**, Foothill Ranch, CA (US)

(73) Assignee: **Ryadon, Inc.**, Foothill Ranch, CA (US)

(**) Term: **14 Years**

(21) Appl. No.: **29/180,758**

(22) Filed: **Apr. 29, 2003**

(51) **LOC (7) Cl.** **08-07**

(52) **U.S. Cl.** **D8/331**

(58) **Field of Search** D8/330, 331, 336,
D8/338, 339, 300, 301, 302, 303; 70/207,
208, 209, 77, 91, 101, 141; 292/336.3,
359, 348, 337, 207, 203, 195, 198, DIG. 26,
DIG. 31

4,951,486 A	8/1990	Braun et al.
4,989,907 A	2/1991	Edmonds et al.
5,042,853 A *	8/1991	Gleason et al. 292/DIG. 31
5,127,686 A *	7/1992	Gleason et al. 292/336.3
5,299,844 A	4/1994	Gleason
5,526,660 A	6/1996	Bennett et al.
D374,163 S *	10/1996	Wahlen D8/331
5,586,458 A	12/1996	Weinerman et al.
5,984,383 A	11/1999	Parikh et al.

* cited by examiner

Primary Examiner—Prabhakar Deshmukh

(74) *Attorney, Agent, or Firm*—Fulwider Patton Lee & Utecht, LLP

(57) **CLAIM**

The ornamental design for a toolbox rotary latch, as shown and described.

DESCRIPTION

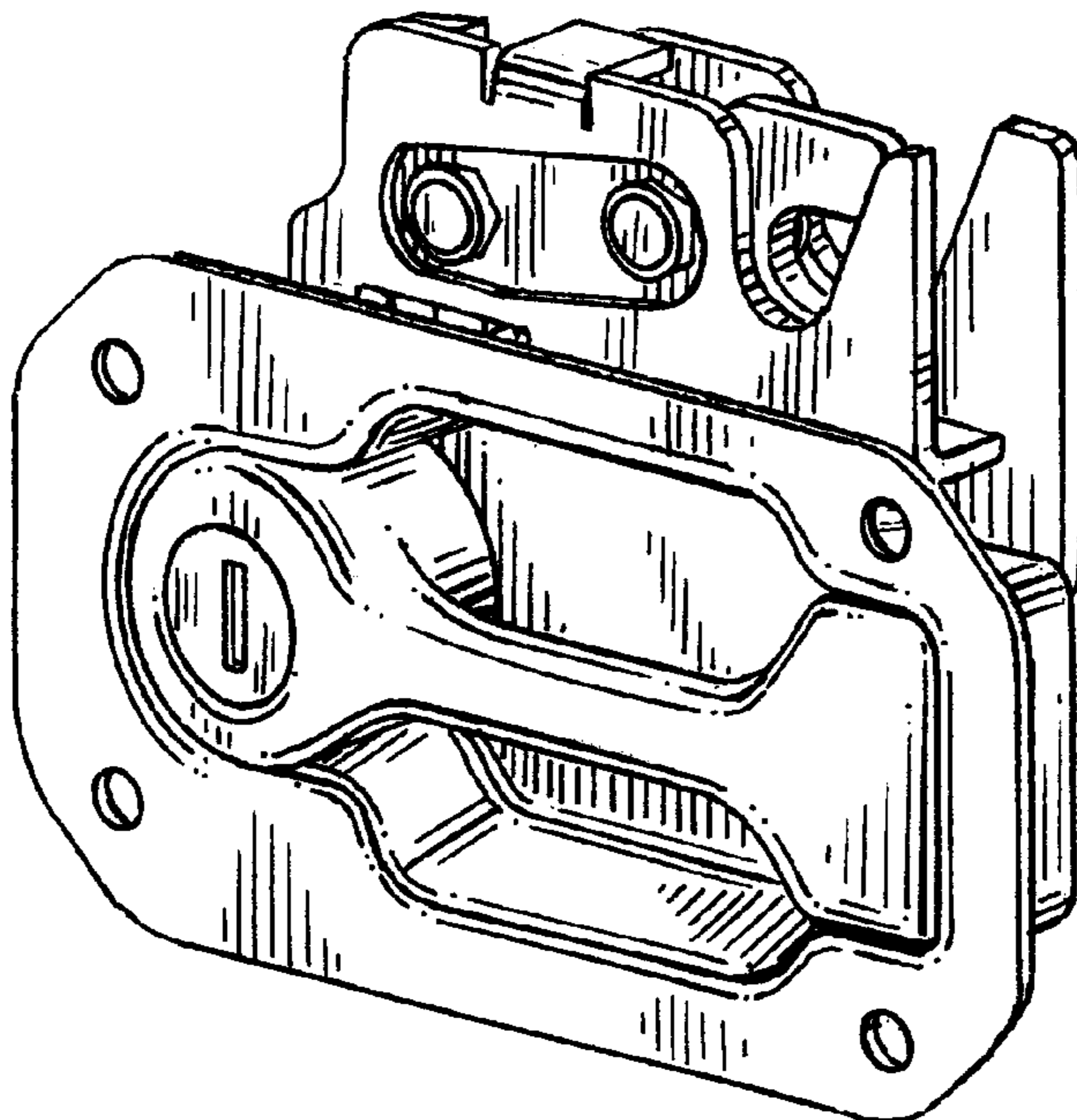
FIG. 1 is a top view of a preferred embodiment;
FIG. 2 is a right side view of the embodiment illustrated in FIG. 1;
FIG. 3 is a bottom view of the embodiment illustrated in FIG. 1;
FIG. 4 is a left side view of the embodiment in FIG. 1;
FIG. 5 is a front view of the embodiment in FIG. 1;
FIG. 6 is a rear view of the embodiment in FIG. 1; and,
FIG. 7 is an elevated perspective view of the embodiment in FIG. 1.

(56) **References Cited**

U.S. PATENT DOCUMENTS

2,688,076 A *	2/1954	Troche et al.	70/208
D176,074 S *	11/1955	Marko	D8/302
3,371,511 A	3/1968	Atkinson	
D218,672 S *	9/1970	Lauper	D8/302
3,767,243 A *	10/1973	Yoshimura	292/DIG. 26
3,782,141 A	1/1974	Doerrfeld	
4,291,557 A *	9/1981	Bulle et al.	70/58
4,438,964 A *	3/1984	Paters	292/207
D297,706 S *	9/1988	Falk	D8/331
D303,621 S *	9/1989	Rusell et al.	D8/331

1 Claim, 2 Drawing Sheets



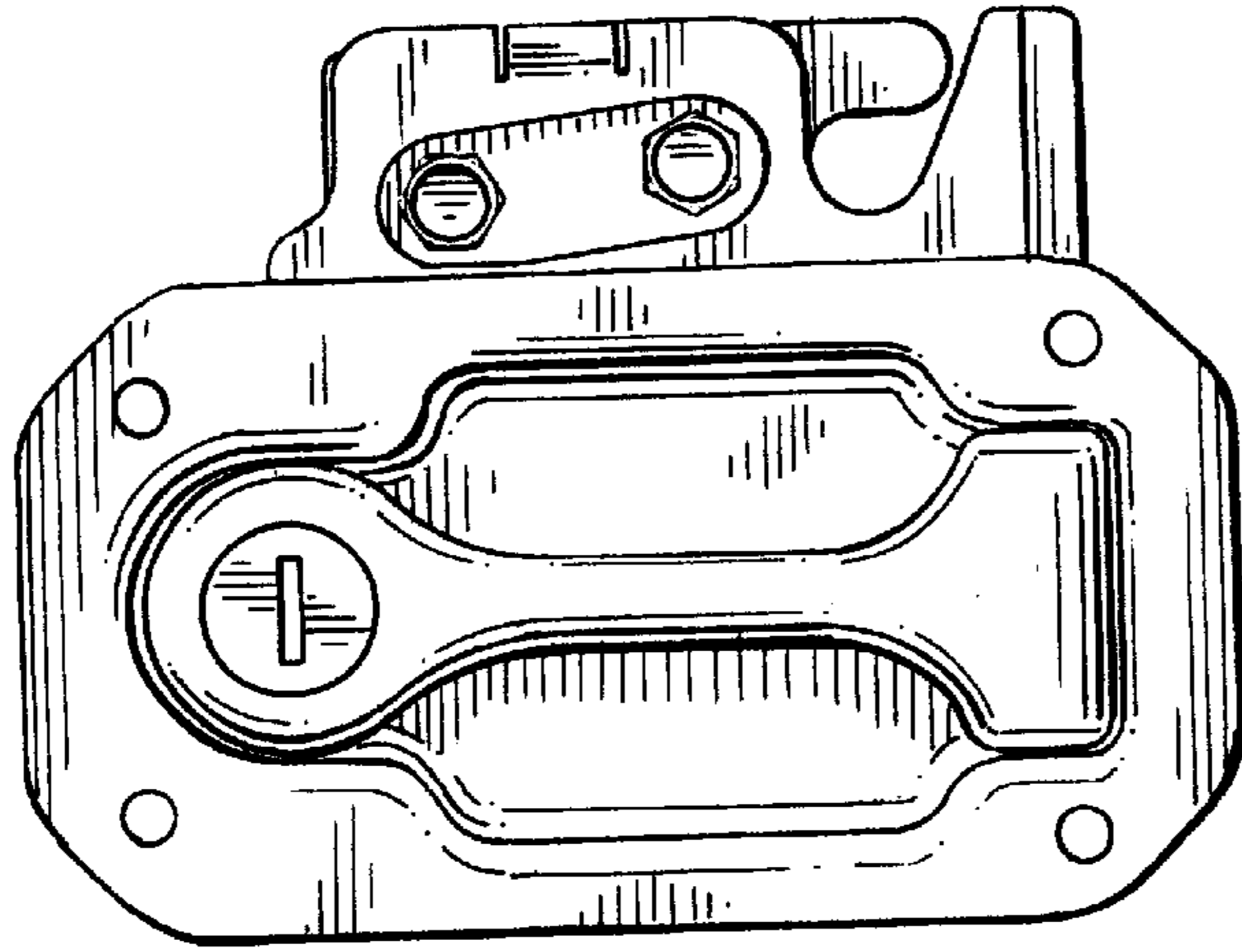


FIG. 1

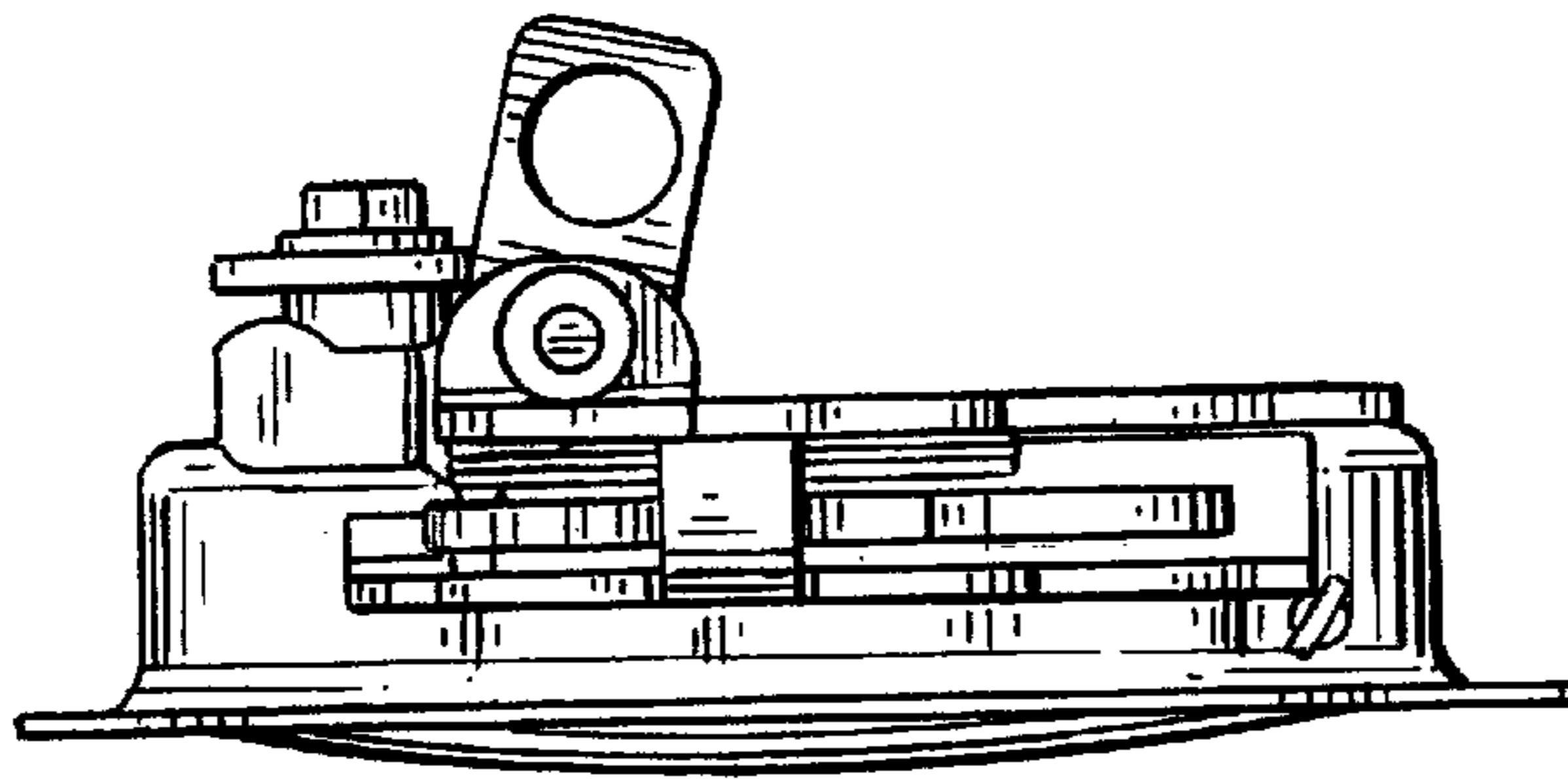


FIG. 2

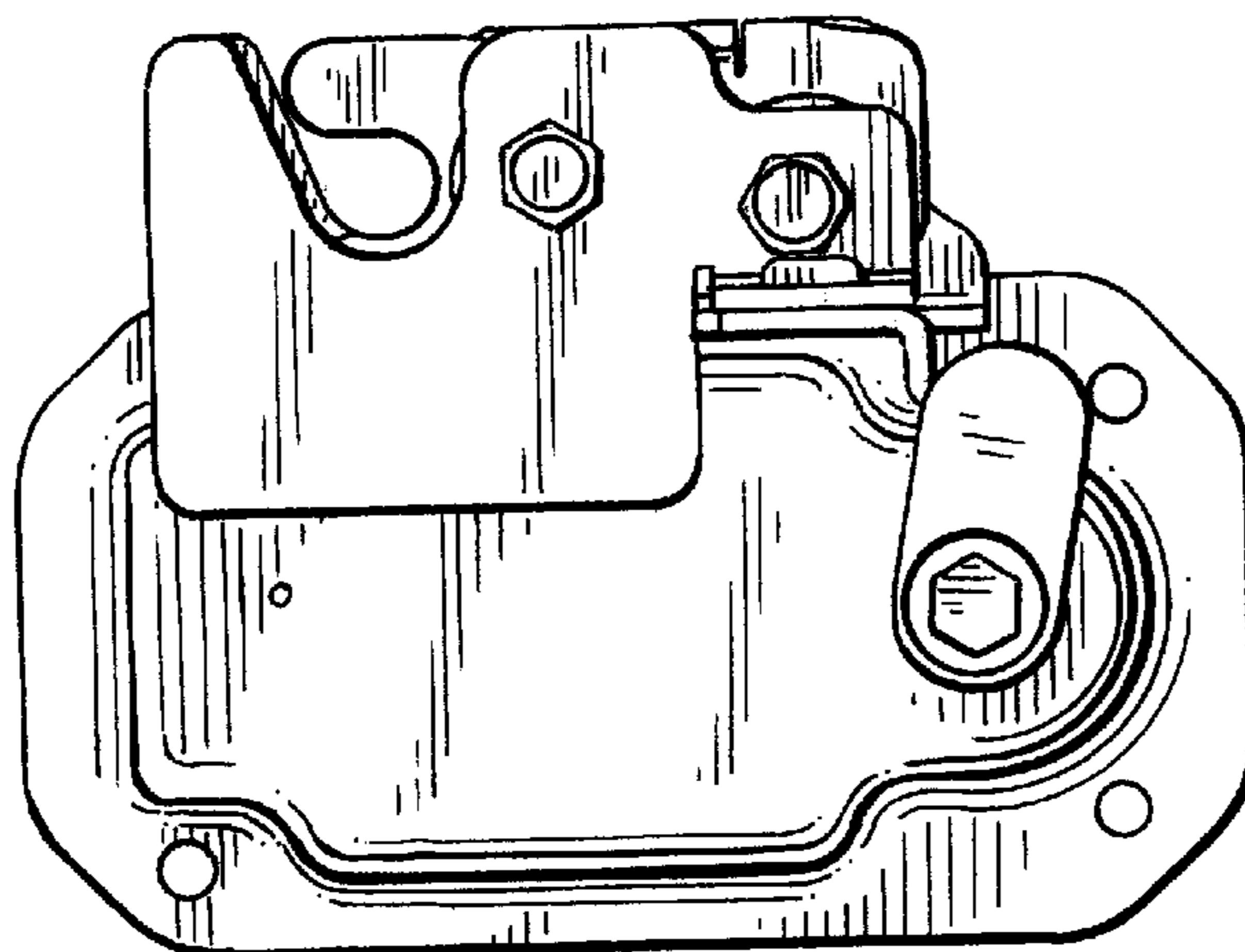


FIG. 3

FIG. 4

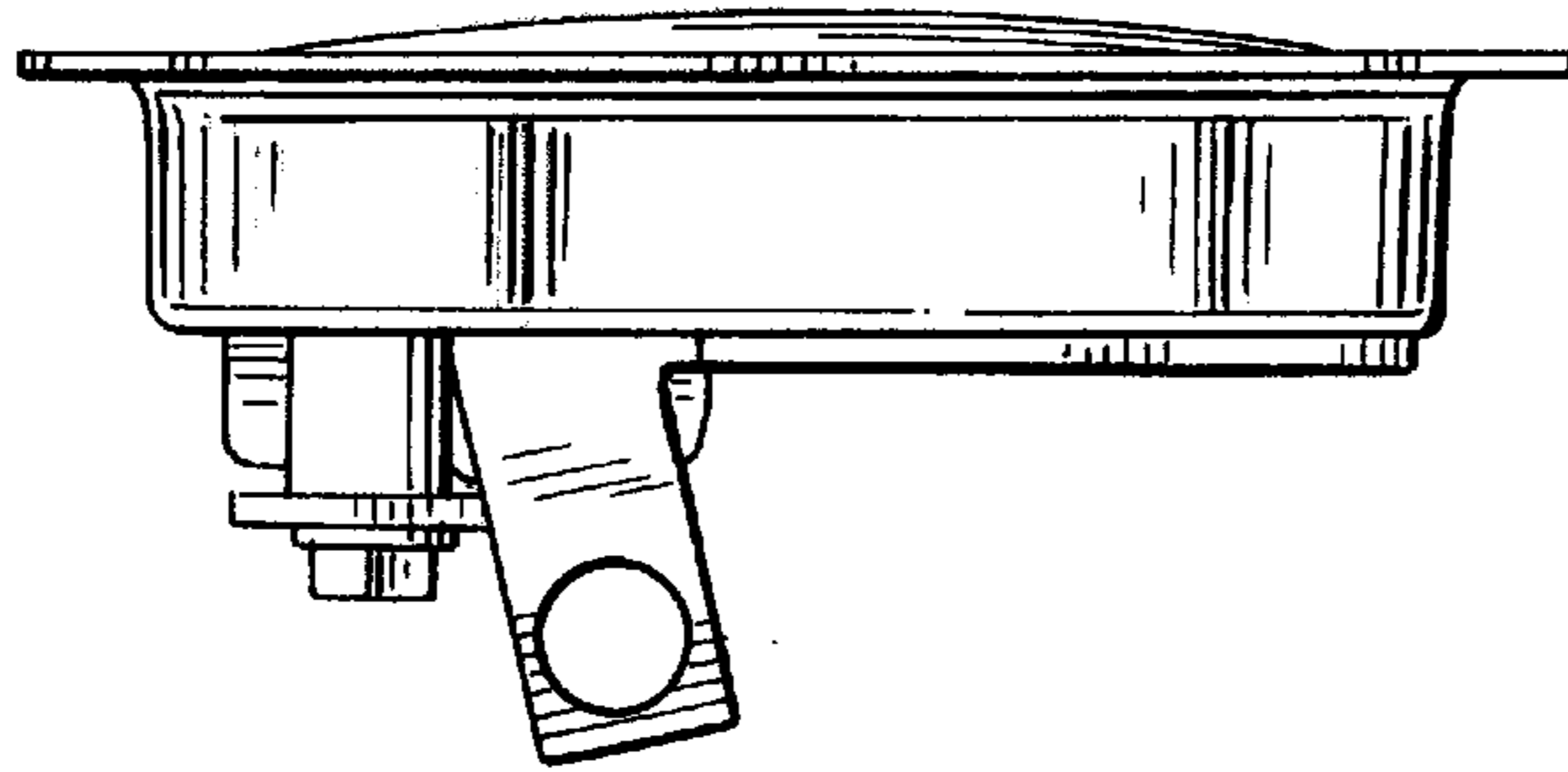


FIG. 5

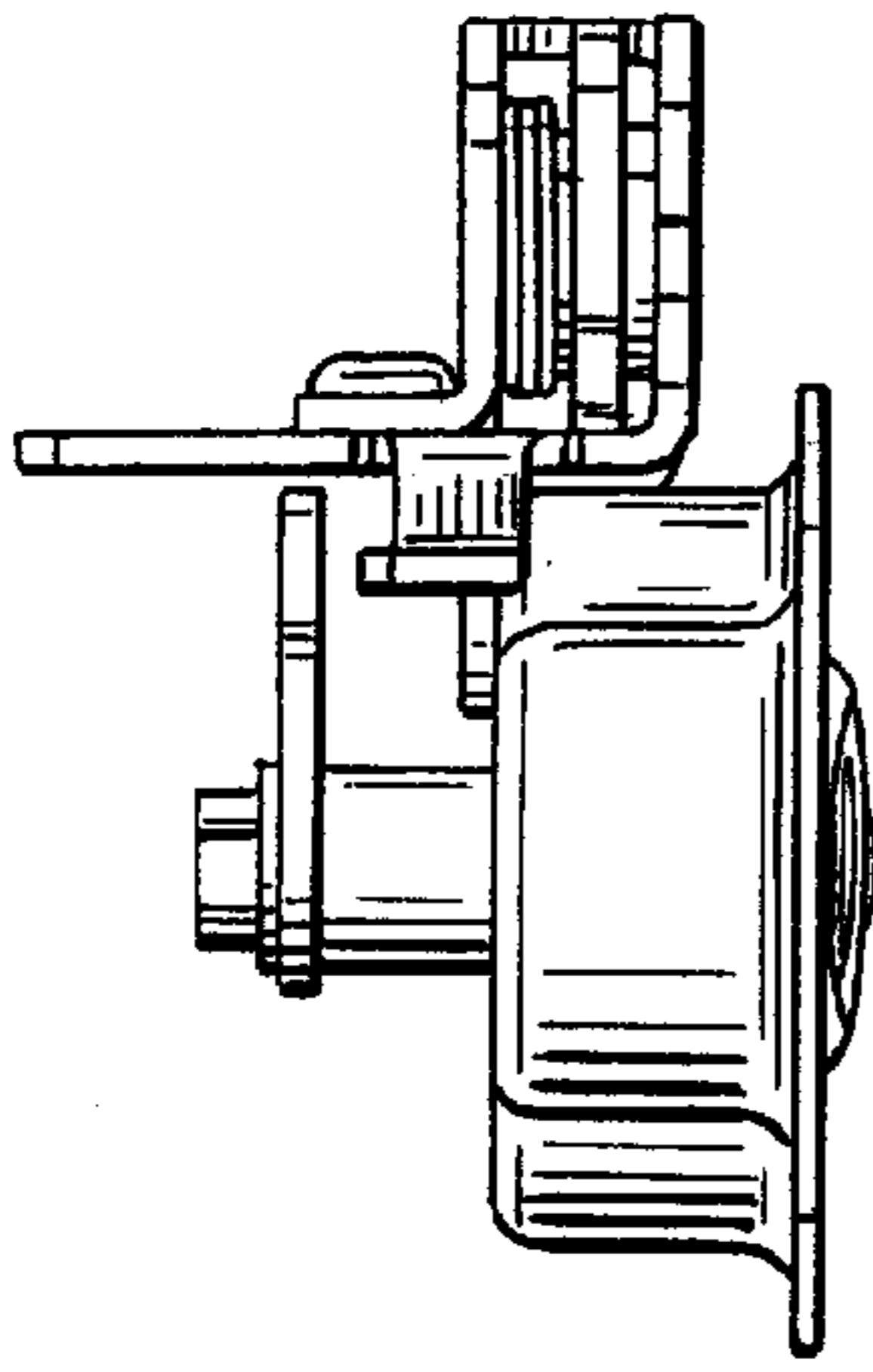


FIG. 6

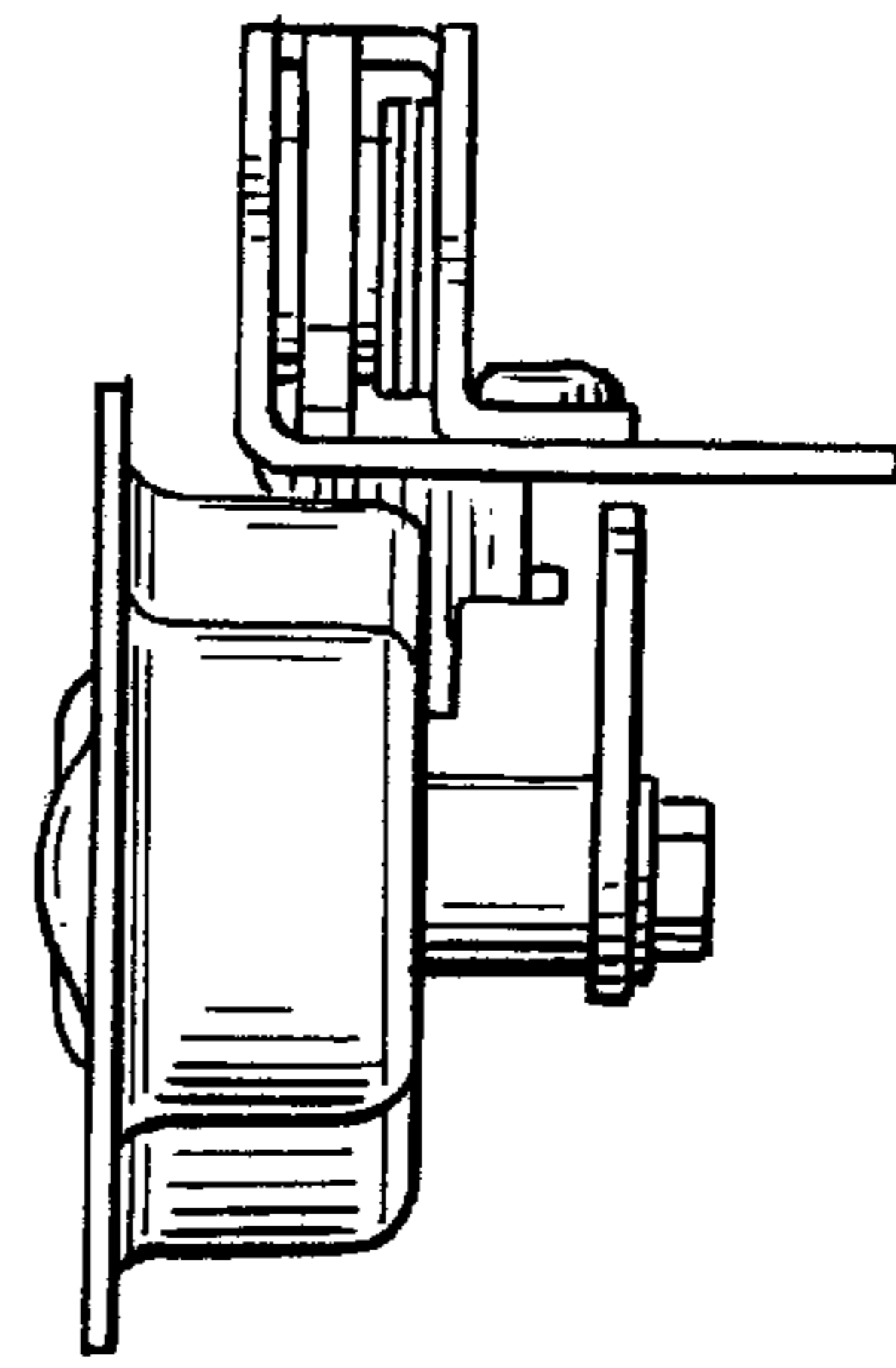


FIG. 7

