



US00D484024S

(12) **United States Design Patent**
Teskey et al.

(10) **Patent No.: US D484,024 S**

(45) **Date of Patent: ** Dec. 23, 2003**

(54) **ROUND FLUSH LATCH**

(75) Inventors: **Gregg A. Teskey**, Trabuco Canyon, CA (US); **Brian Winland**, Wildomar, CA (US)

(73) Assignee: **Ryadon, Inc.**, Foothill Ranch, CA (US)

(**) Term: **14 Years**

(21) Appl. No.: **29/168,206**

(22) Filed: **Sep. 27, 2002**

(51) **LOC (7) Cl.** **08-07**

(52) **U.S. Cl.** **D8/331; D8/338**

(58) **Field of Search** D8/330, 331, 336, D8/337, 338, 301, 302, 341; 70/207, 208, 209, 211, 91, 448; 292/336.3, 86, 87, 168, 170, 57, DIG. 31, DIG. 30

(56) **References Cited**

U.S. PATENT DOCUMENTS

2,744,406	A	*	5/1956	Labrie	292/DIG. 31
3,081,617	A	*	3/1963	McKay	292/336.3
3,389,932	A	*	6/1968	Pastva, Jr.	292/173
4,706,478	A	*	11/1987	Swan et al.	292/336.3
D324,636	S	*	3/1992	Schlack et al.	D8/331
D328,231	S	*	7/1992	Hansen	D8/338
D370,620	S	*	6/1996	Zeimer	D8/331
6,109,669	A	*	8/2000	Pinkow	292/DIG. 31
D436,833	S	*	1/2001	Turner et al.	D8/331
D452,808	S	*	1/2002	Kyle	D8/331
D475,602	S	*	6/2003	McCloskey	D8/331

* cited by examiner

Primary Examiner—Prabhakar Deshmukh

(74) *Attorney, Agent, or Firm*—Fulwider Patton Lee & Utecht, LLP

(57) **CLAIM**

The ornamental design for a round flush latch, as shown and described.

DESCRIPTION

FIG. 1 is a forward left perspective view of a preferred embodiment showing my new design with the handle in a stowed position;

FIG. 2 is a similar view of the embodiment illustrated in FIG. 1 with the handle in an extended position;

FIG. 3 is a front view, in enlarged scale, of the embodiment illustrated in FIG. 1 with the handle in an extended position;

FIG. 4 is a front view, in enlarged scale, of the embodiment illustrated in FIG. 1 with the handle in a stowed position;

FIG. 5 is a rear view, in enlarged scale, of the embodiment illustrated in FIG. 1;

FIG. 6 is a left hand end view, in enlarged scale, of the embodiment illustrated in FIG. 1 with the handle in a stowed position;

FIG. 7 is a right hand end view, in enlarged scale, of the embodiment illustrated in FIG. 1 with the handle in a stowed position;

FIG. 8 is a left hand view, in enlarged scale, of the embodiment illustrated in FIG. 1 with the handle in an extended position;

FIG. 9 is a right hand view, in enlarged scale, of the embodiment illustrated in FIG. 1 with the handle in an extended position;

FIG. 10 is a top view, in enlarged scale, of the embodiment illustrated in FIG. 1 with the handle in an extended position;

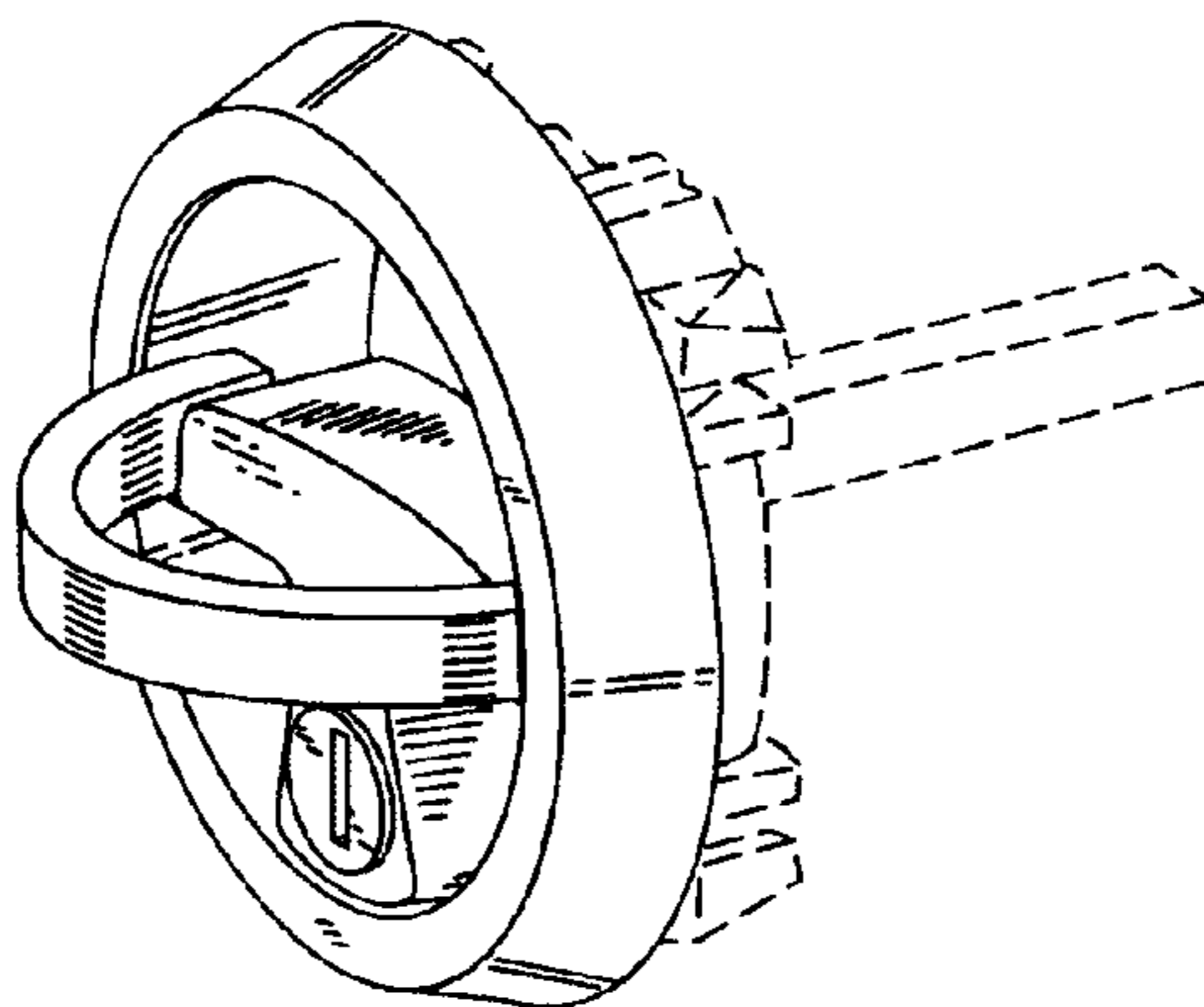
FIG. 11 is a bottom view, in enlarged scale, of the embodiment illustrated in FIG. 1 with the handle in an extended position;

FIG. 12 is a top view, in enlarged scale, of the embodiment illustrated in FIG. 1 with the handle in a stowed position; and,

FIG. 13 is a bottom view, in enlarged scale, of the embodiment illustrated in FIG. 1 with the handle in a stowed position.

The broken line disclosure in each figure is for illustrative purposes only and forms no part of the claimed design.

1 Claim, 3 Drawing Sheets



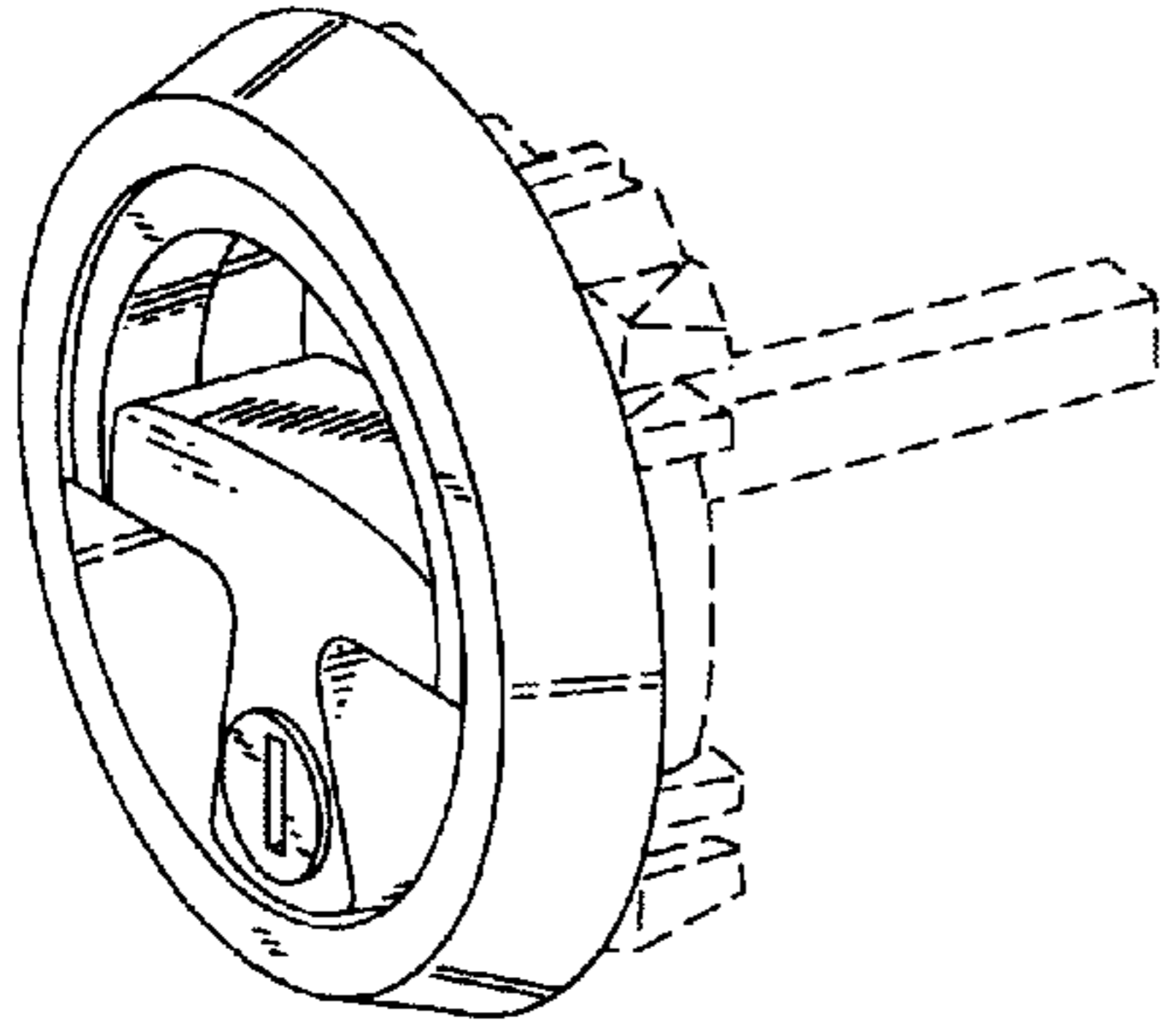


Fig. 1

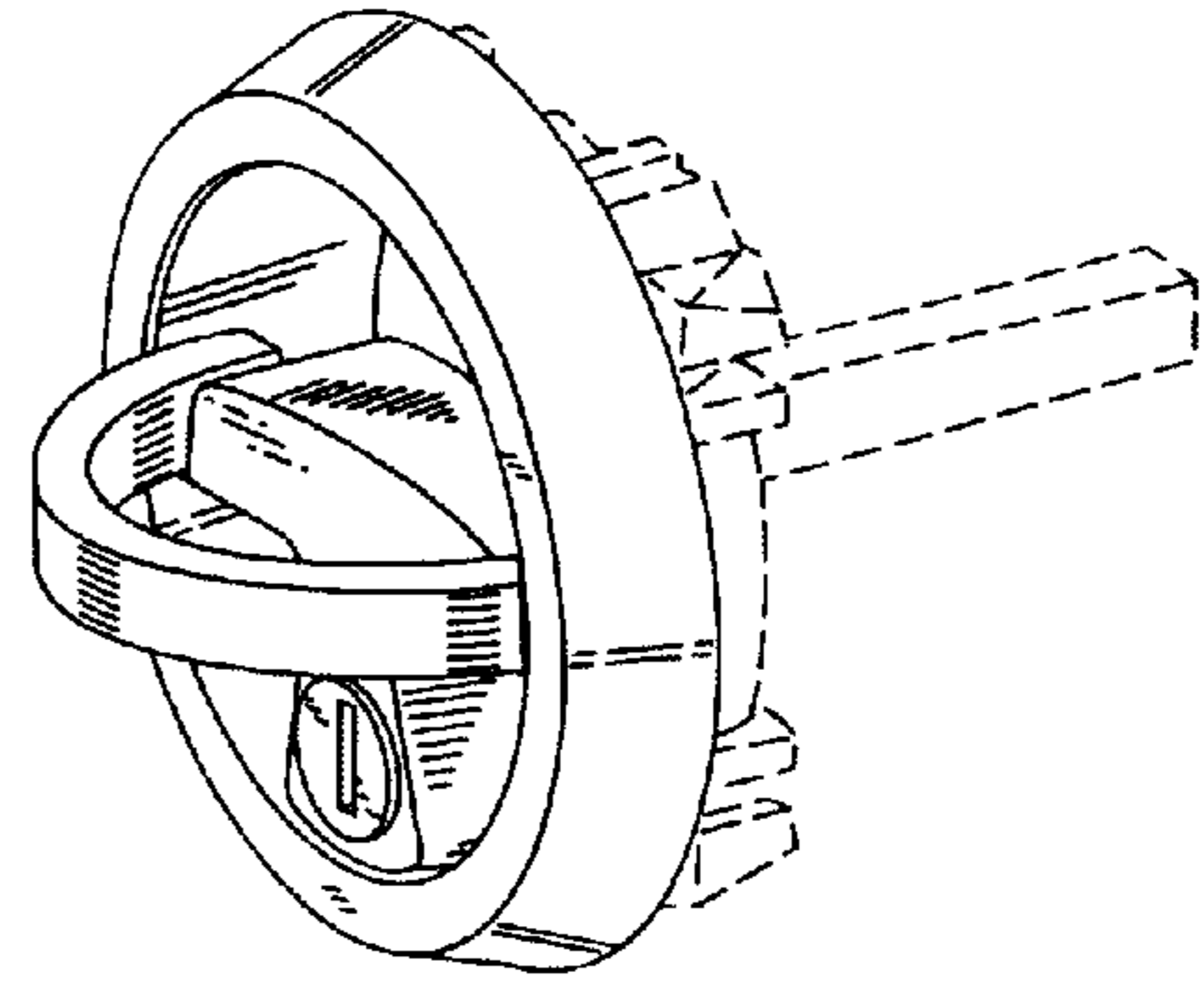


Fig. 2

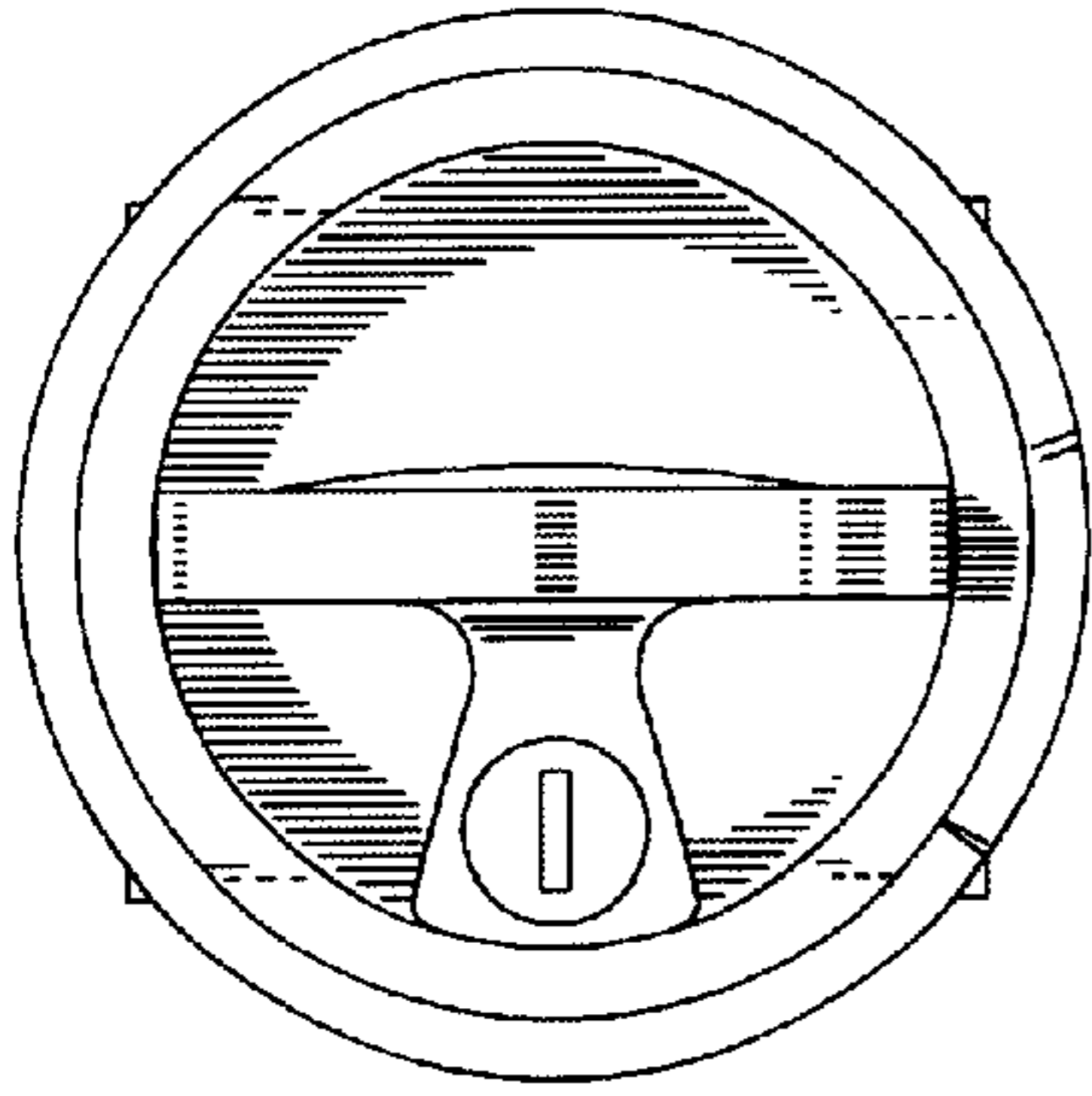


Fig. 3

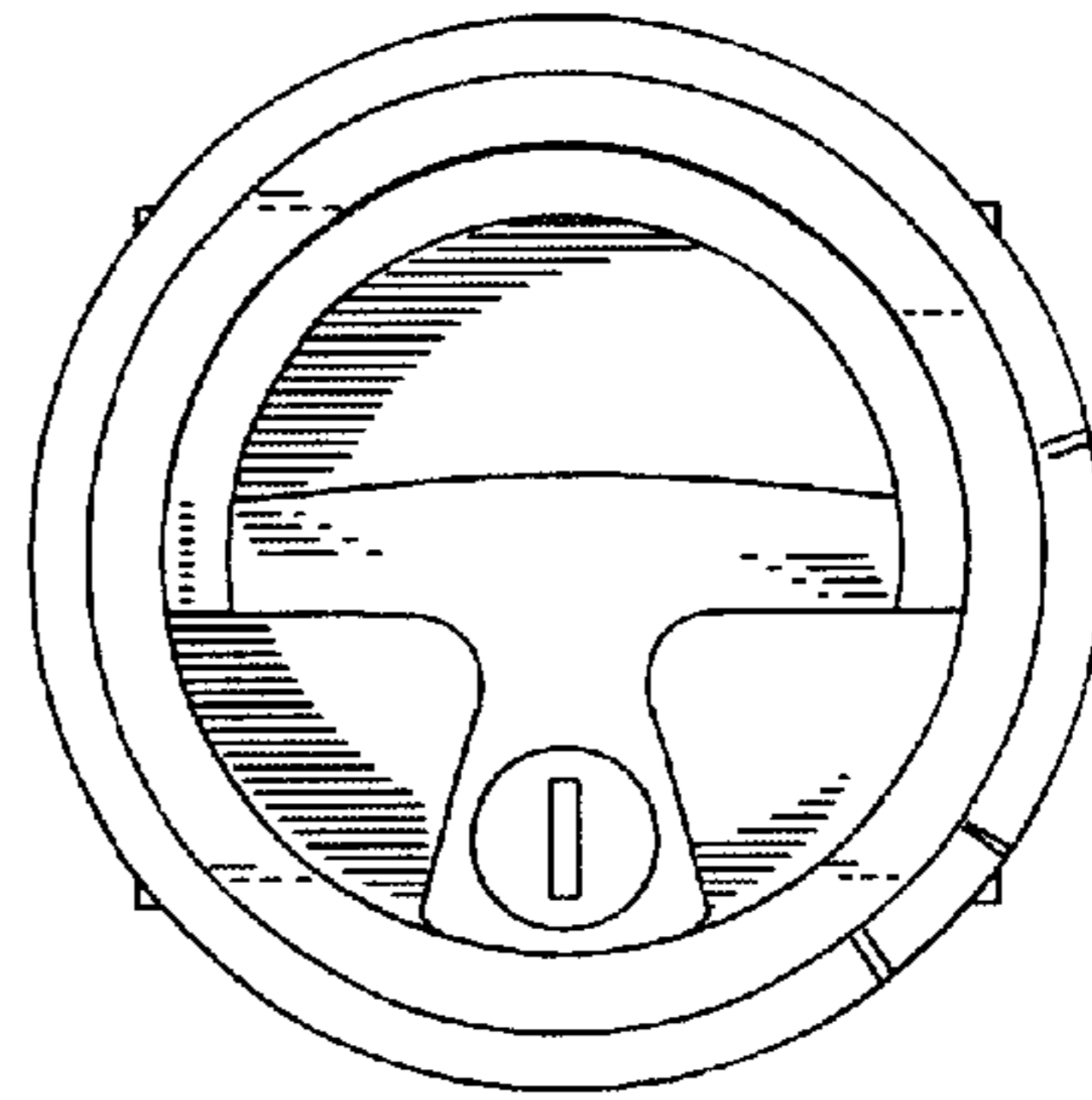


Fig. 4

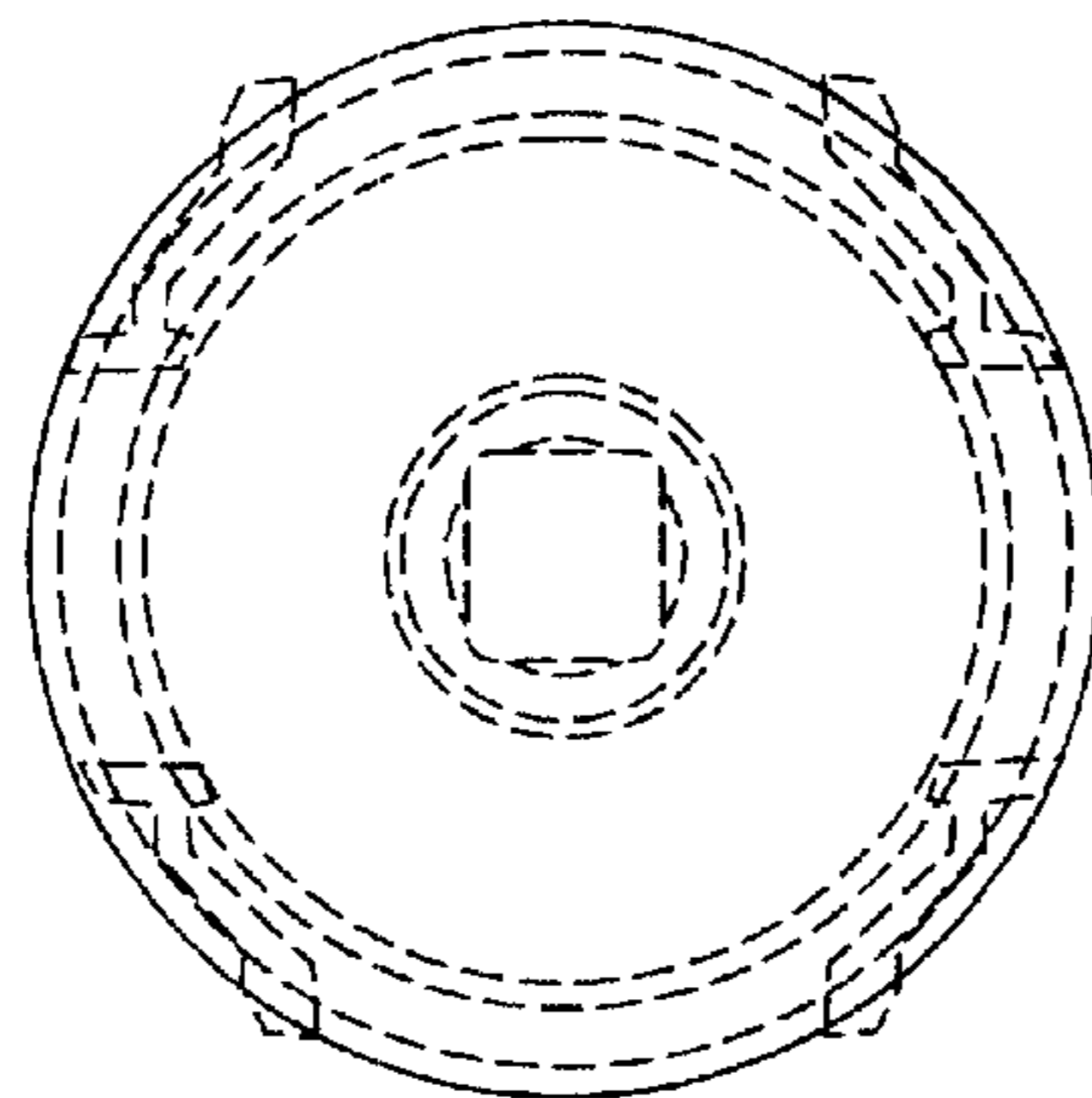


Fig. 5

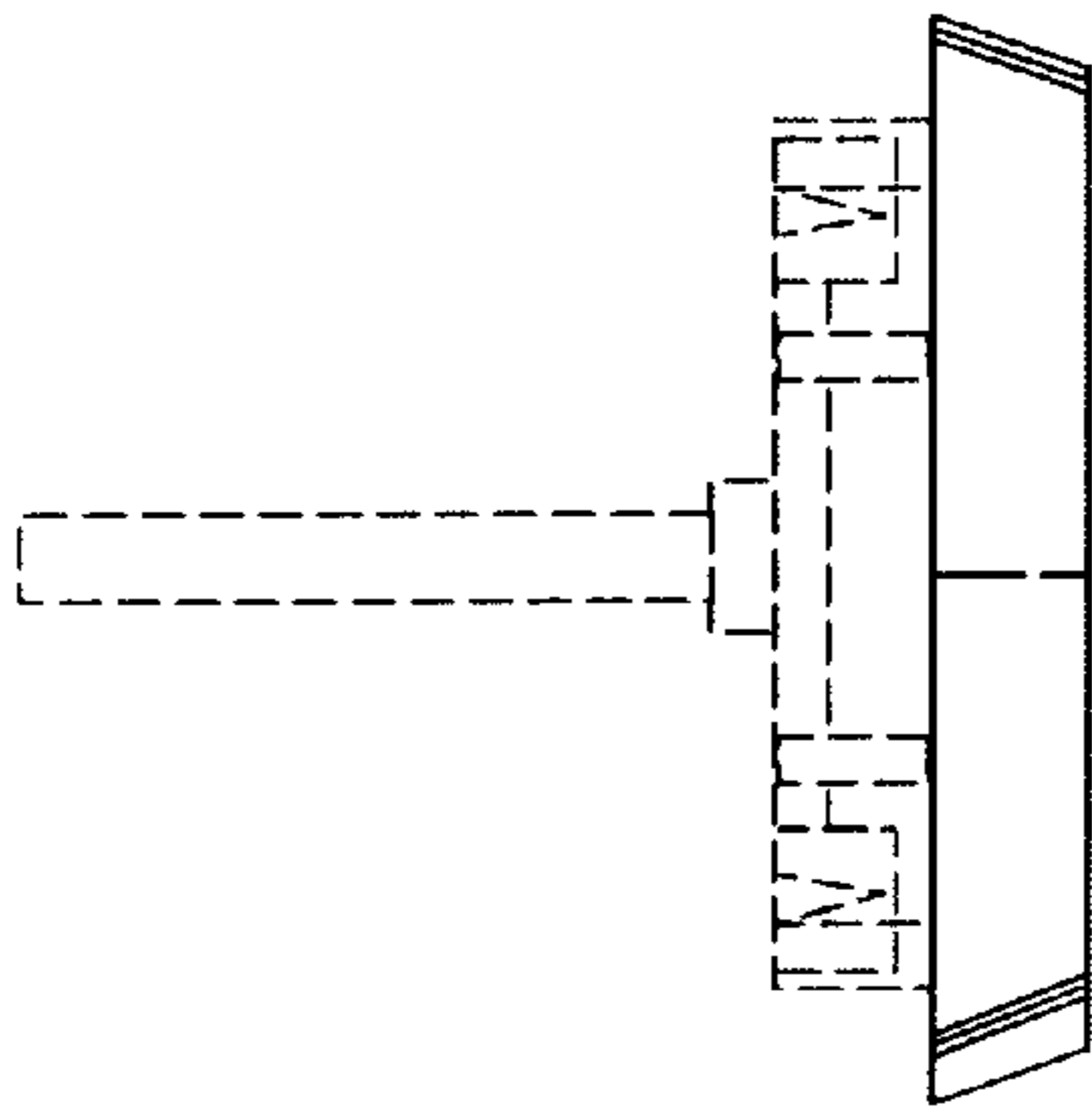


Fig. 6

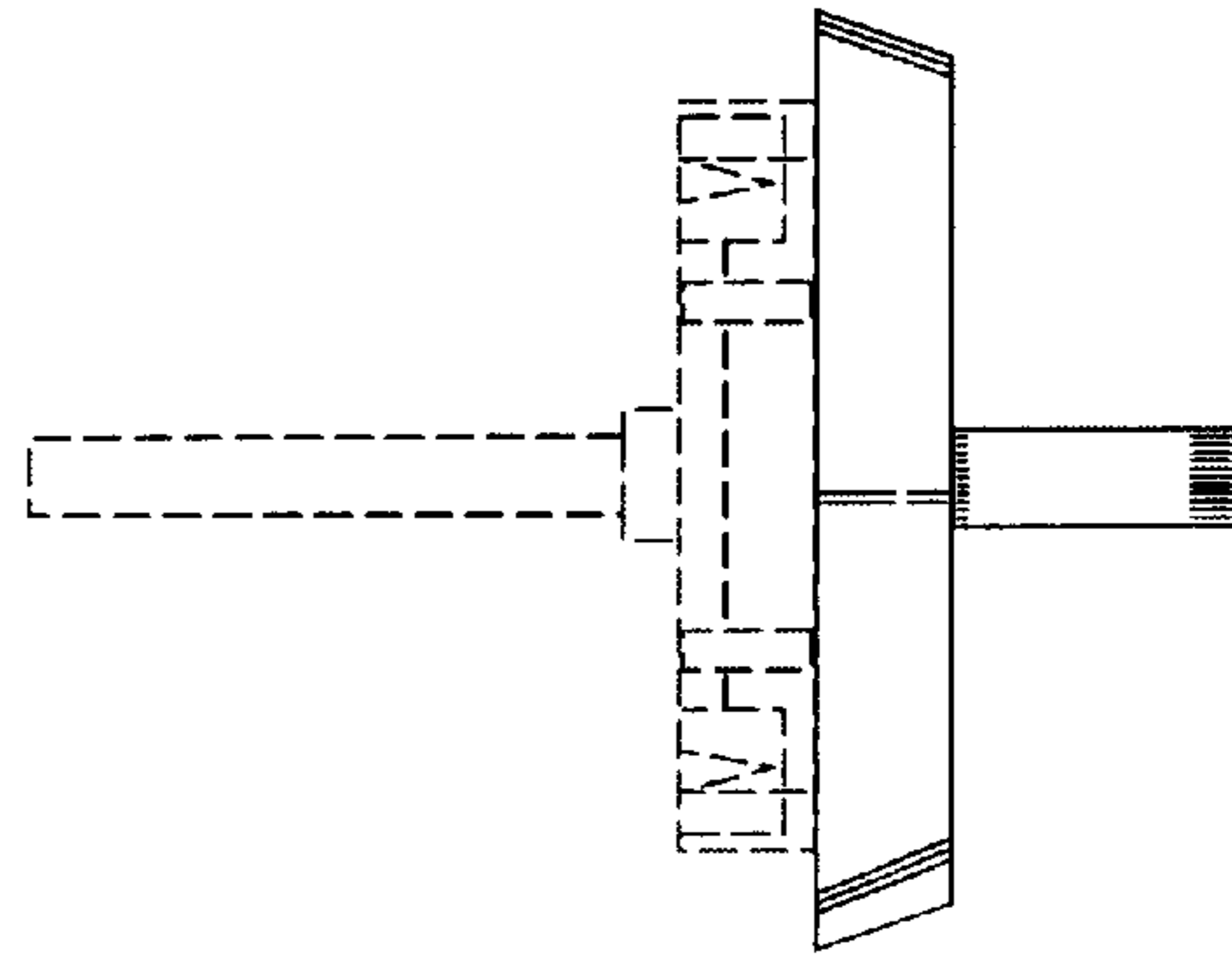


Fig. 8

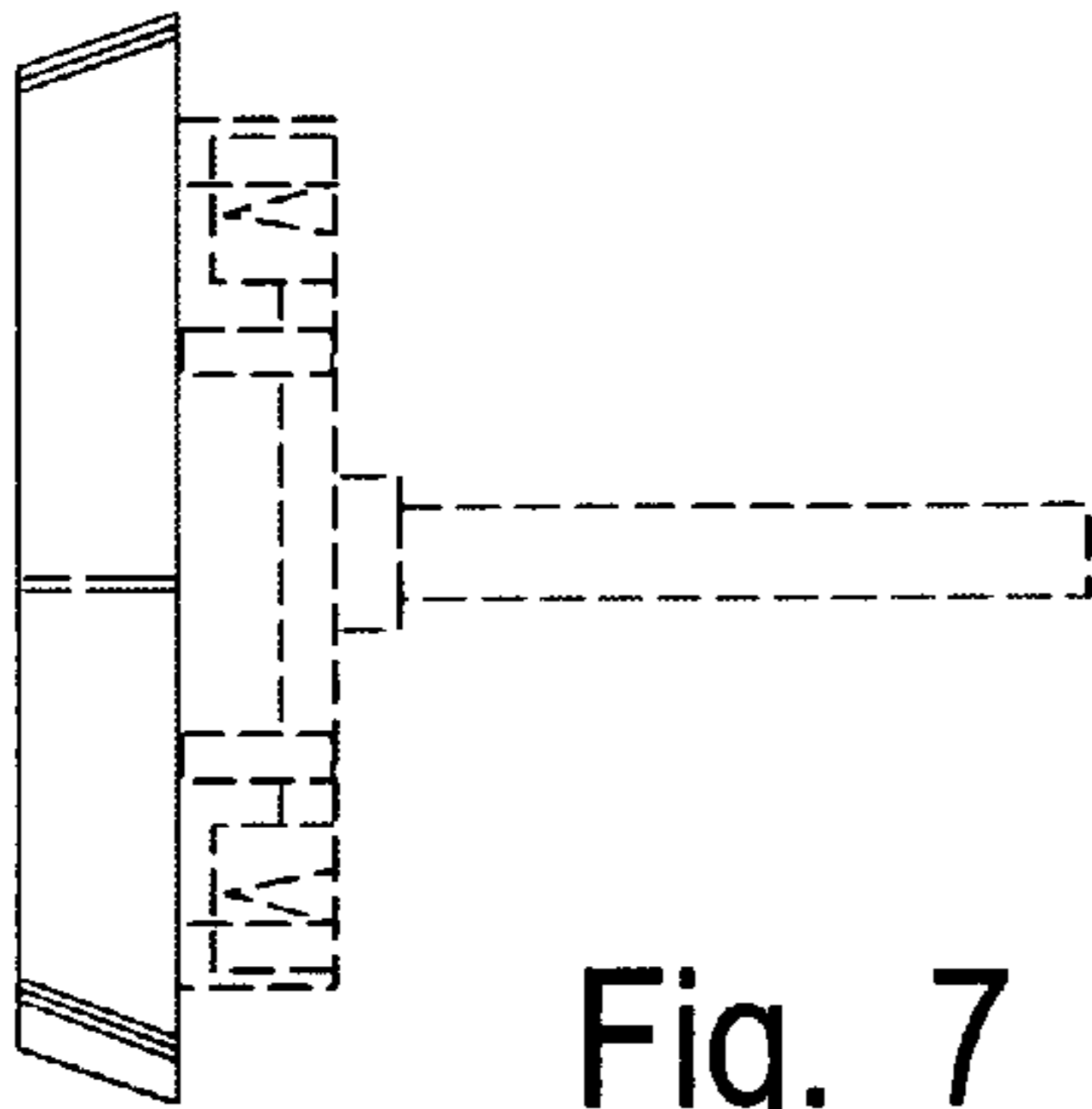


Fig. 7

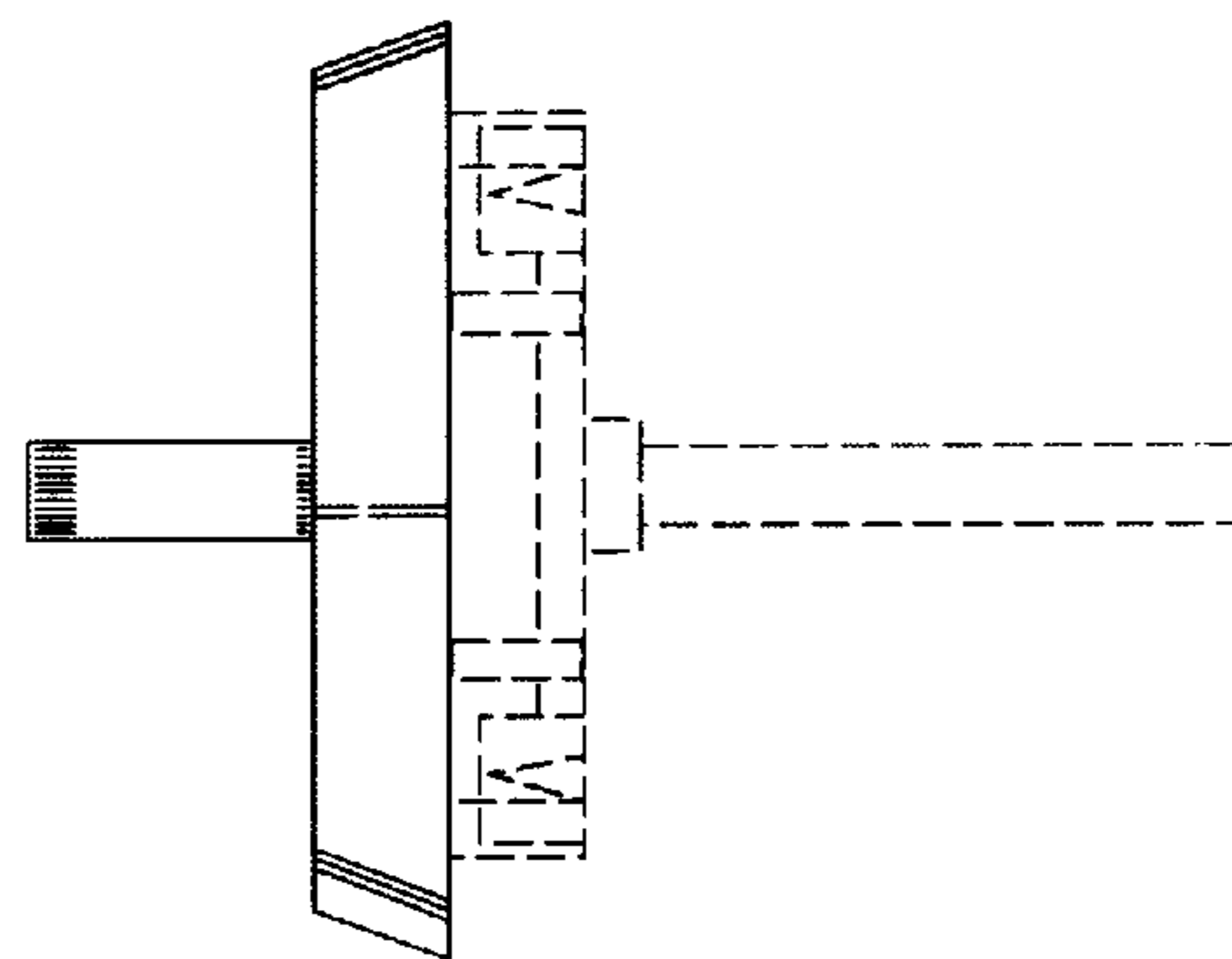


Fig. 9

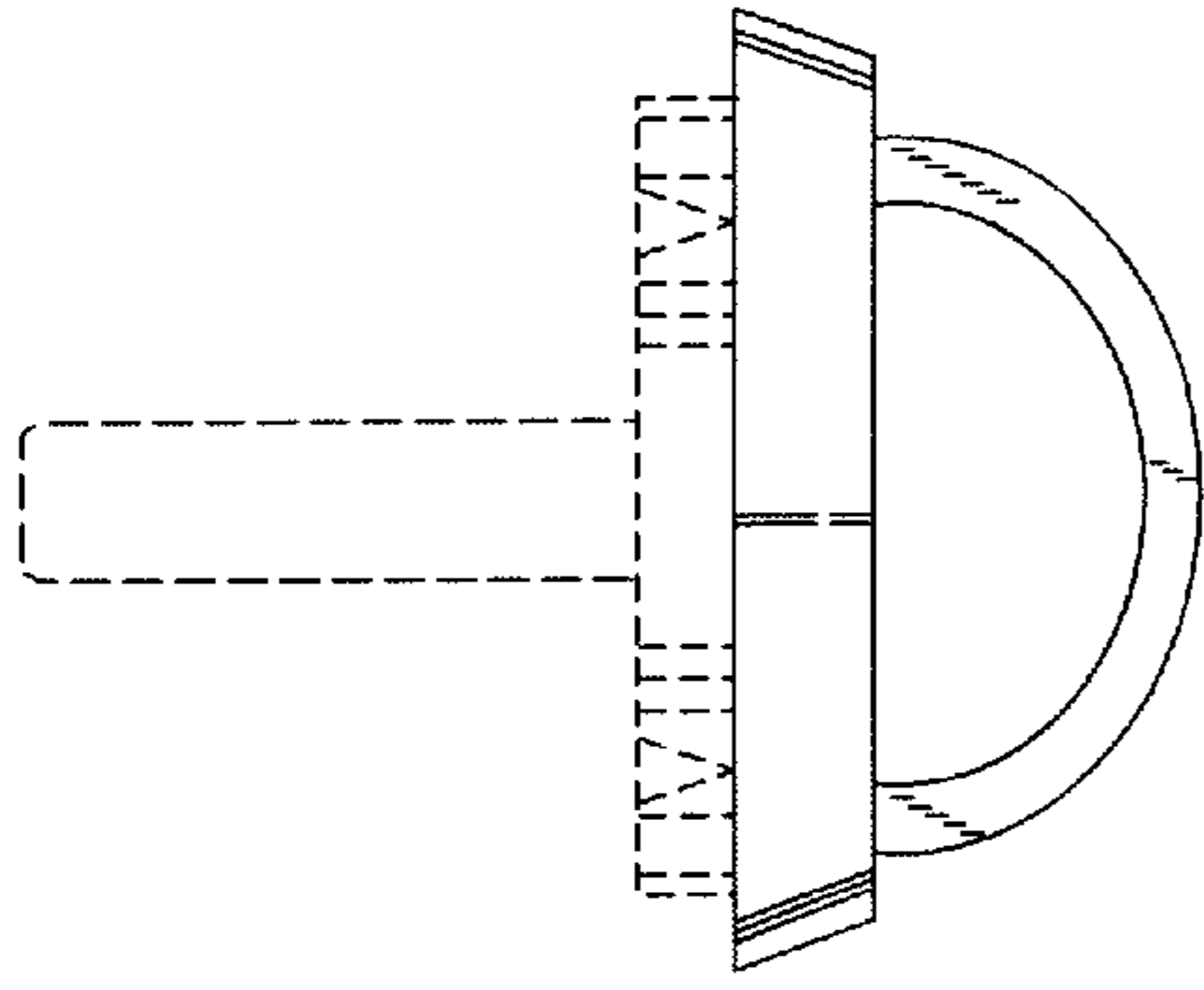


Fig. 10

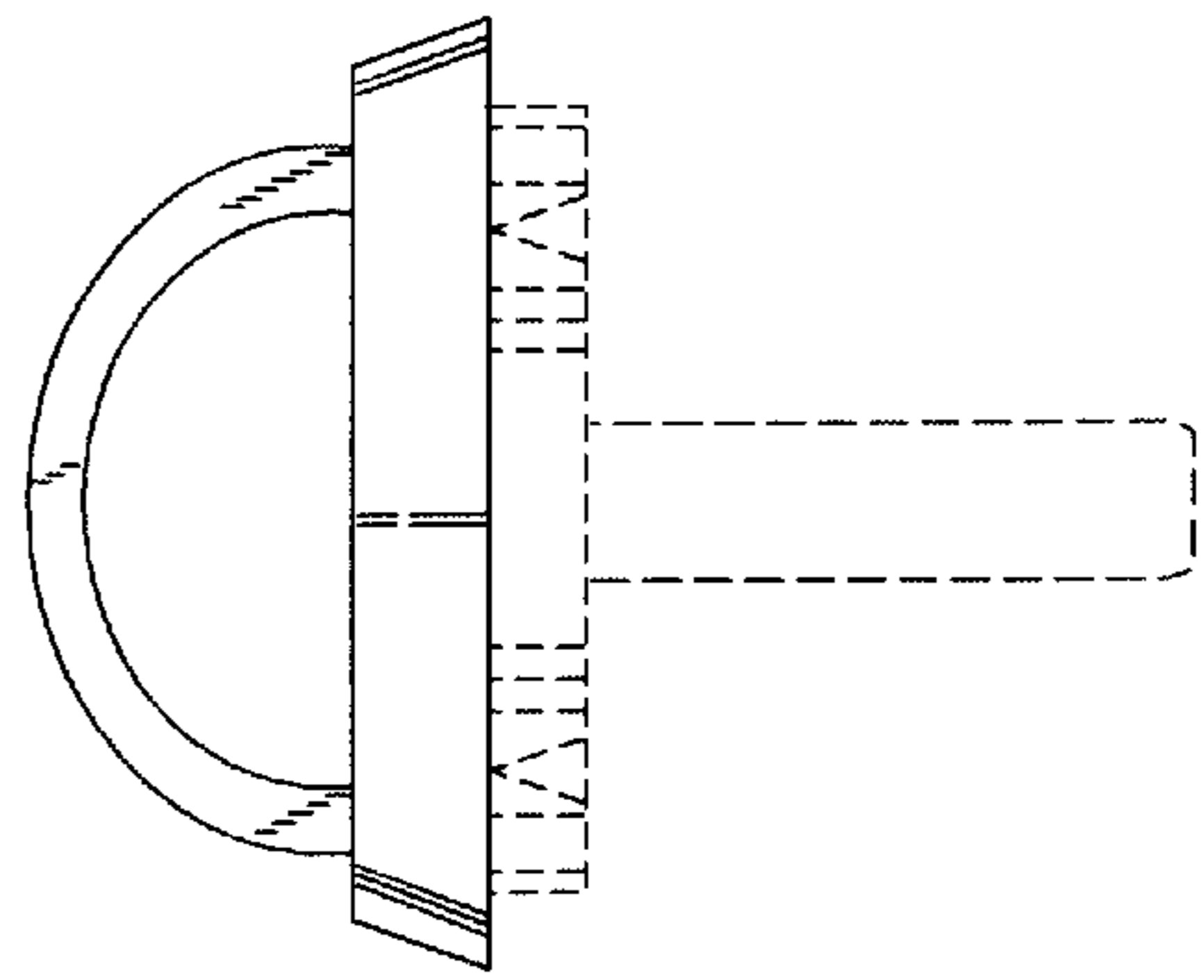


Fig. 11

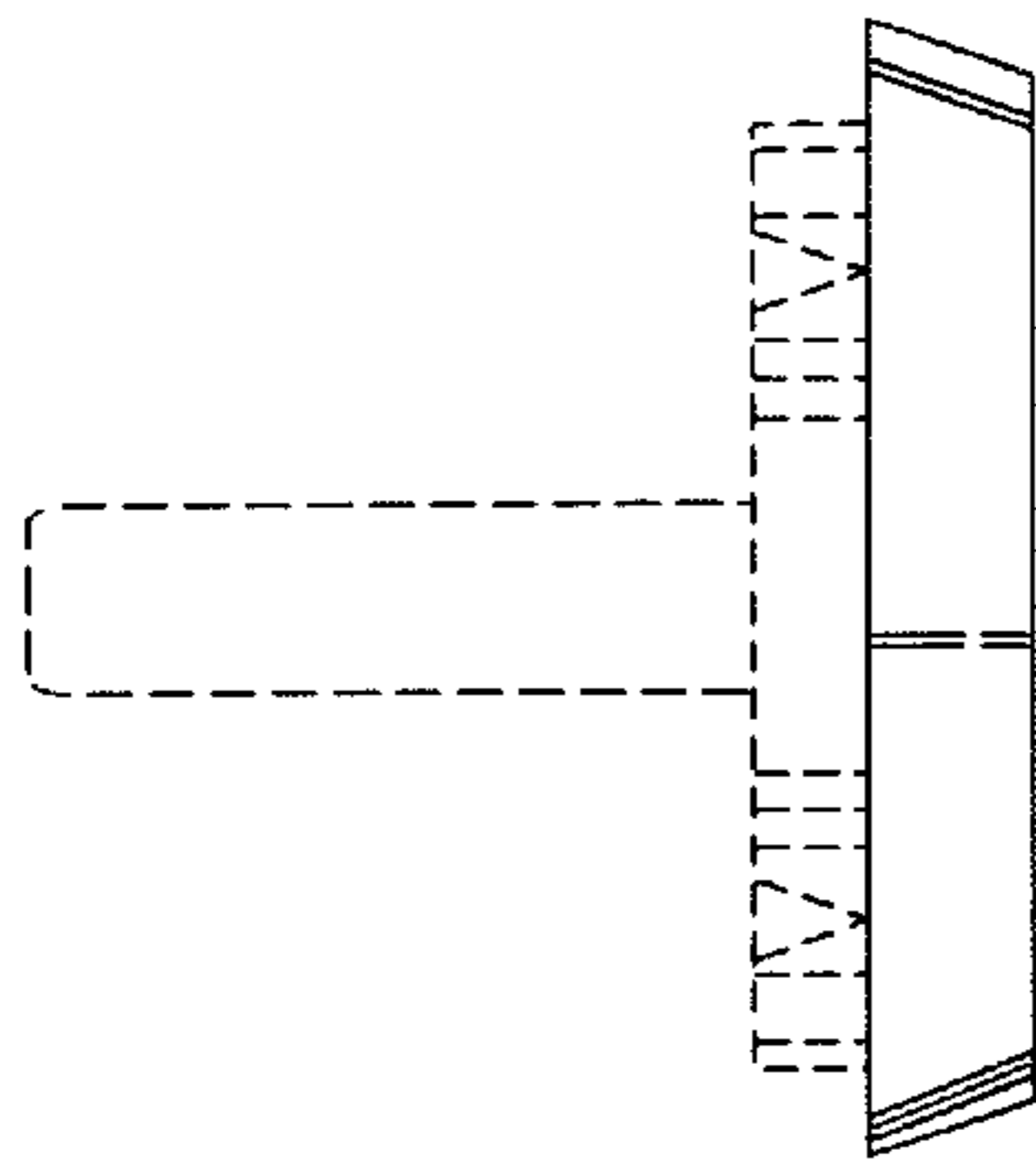


Fig. 12

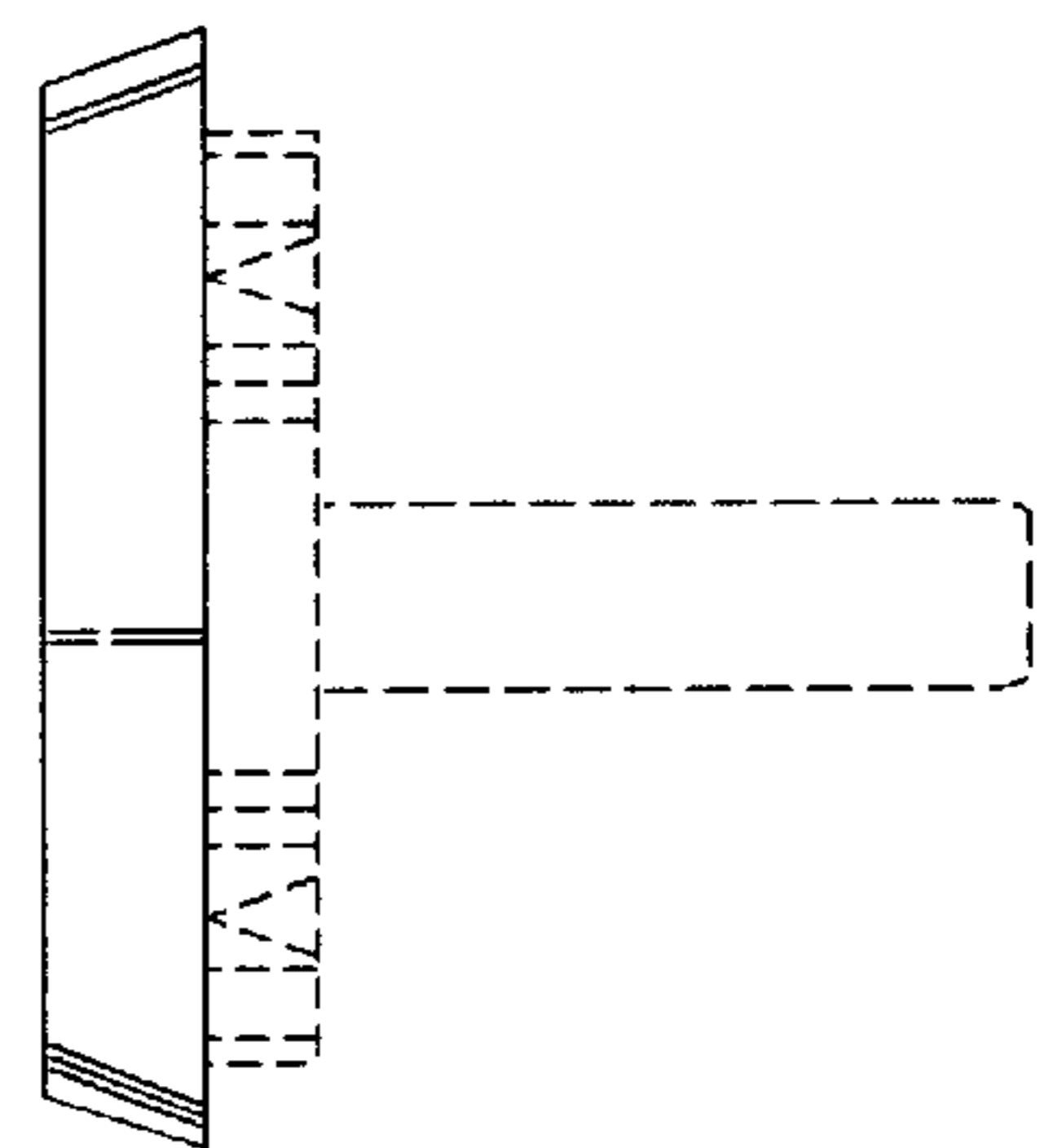


Fig. 13