



US00D484023S

(12) **United States Design Patent**
Stout

(10) **Patent No.:** **US D484,023 S**

(45) **Date of Patent:** **** Dec. 23, 2003**

(54) **AUXILIARY HANDLE FOR FISHING POLES AND HAND TOOLS**

(76) **Inventor:** **Ronald Stout**, 8310 Peck Ave., Anchorage, AK (US) 99504

(**) **Term:** **14 Years**

(21) **Appl. No.:** **29/173,908**

(22) **Filed:** **Jan. 7, 2003**

(51) **LOC (7) Cl.** **08-05**

(52) **U.S. Cl.** **D8/107**

(58) **Field of Search** D8/10, 107, 61, D8/62, 67, 69, 95, 97, DIG. 7; 16/110.1, 426; 294/58; 15/143.1; D22/142; 43/22, 23

(56) **References Cited**

U.S. PATENT DOCUMENTS

85,956 A *	1/1869	Pinkham	15/246
237,891 A *	2/1881	Musselman	16/426
1,534,075 A *	4/1925	Parrish	16/426
3,155,414 A *	11/1964	Bales	294/58
3,367,704 A *	2/1968	Kleppin	294/58
4,155,582 A *	5/1979	Reisner	294/58

4,537,433 A *	8/1985	Yang	294/58
4,794,667 A *	1/1989	Nelson et al.	16/426
D347,986 S *	6/1994	Booth	D8/107
5,499,852 A *	3/1996	Seigendall	294/58
5,704,672 A *	1/1998	Sims	294/58
D417,382 S *	12/1999	Saladino, Jr.	D8/107
2003/0057721 A1 *	3/2003	Ducklow	294/58

* cited by examiner

Primary Examiner—Clare E. Heflin

(74) *Attorney, Agent, or Firm*—Michael J. Tavella

(57) **CLAIM**

The ornamental design for an auxiliary handle for fishing poles and hand tools, as shown and described.

DESCRIPTION

FIG. 1 is a front elevation view of the new design, the rear elevation view being a mirror image thereof.

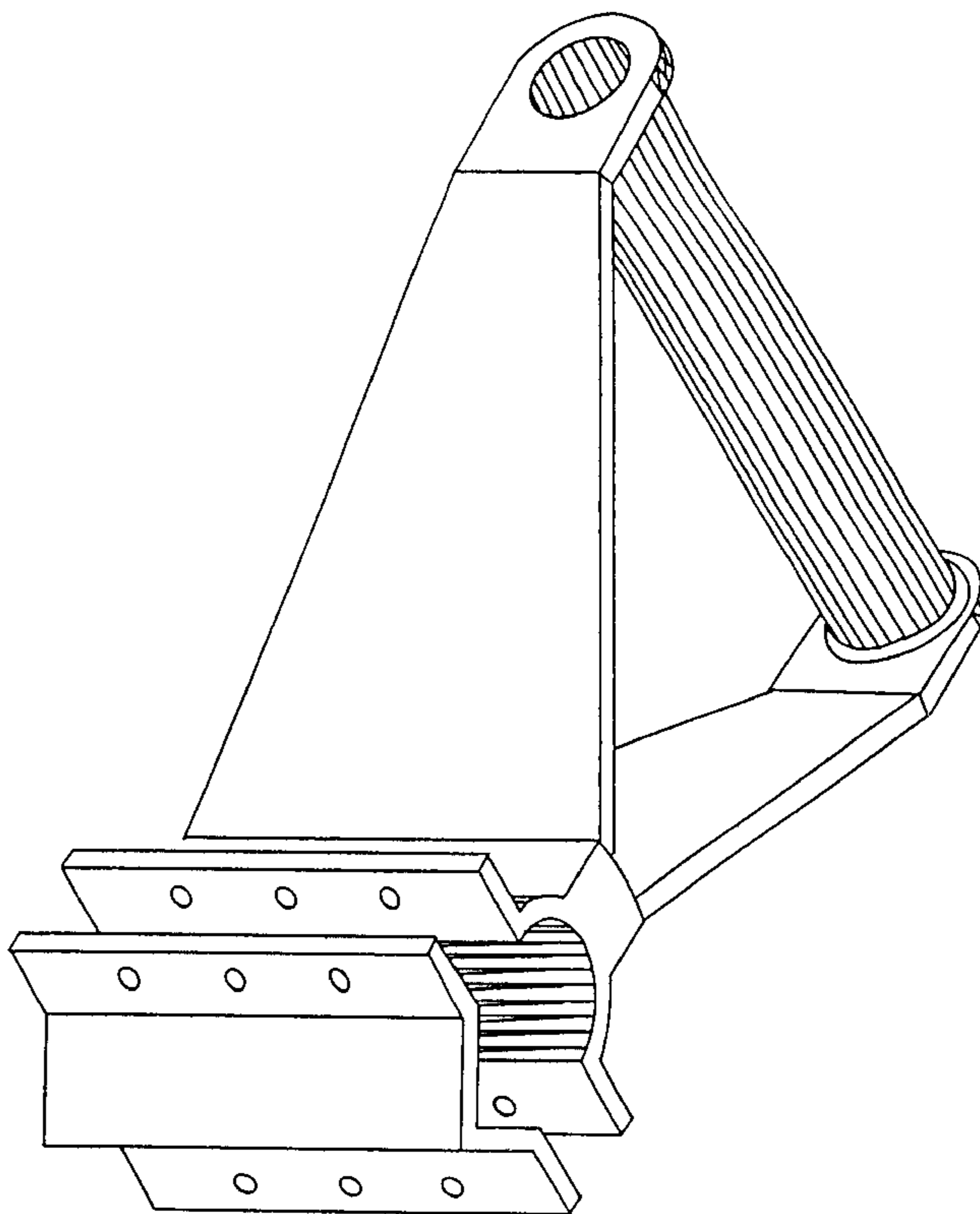
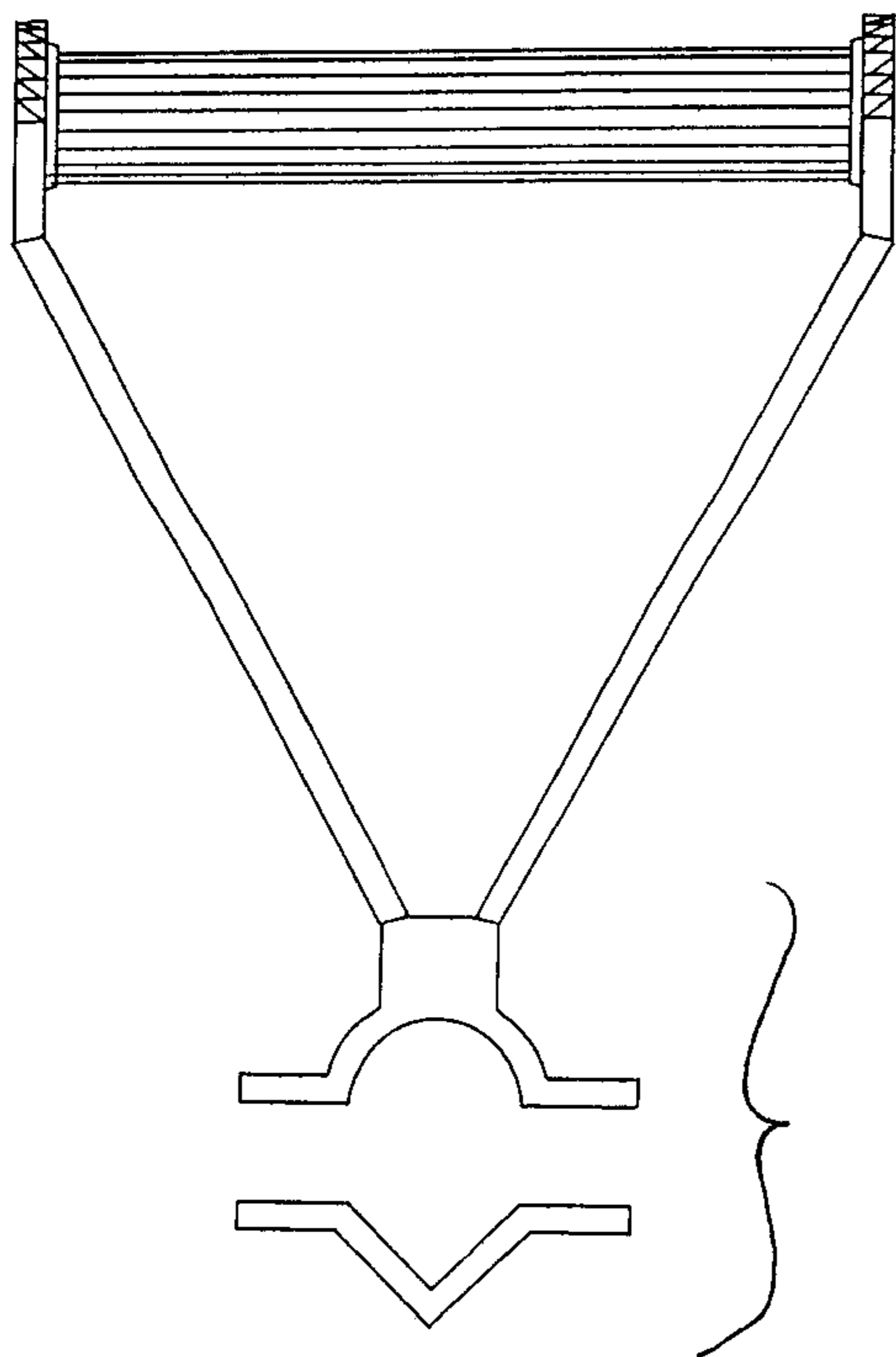
FIG. 2 is a right side elevation view thereof, the left side being a mirror image thereof.

FIG. 3 is a top plan view thereof.

FIG. 4 is bottom plan view thereof; and,

FIG. 5 is a perspective view thereof.

1 Claim, 4 Drawing Sheets



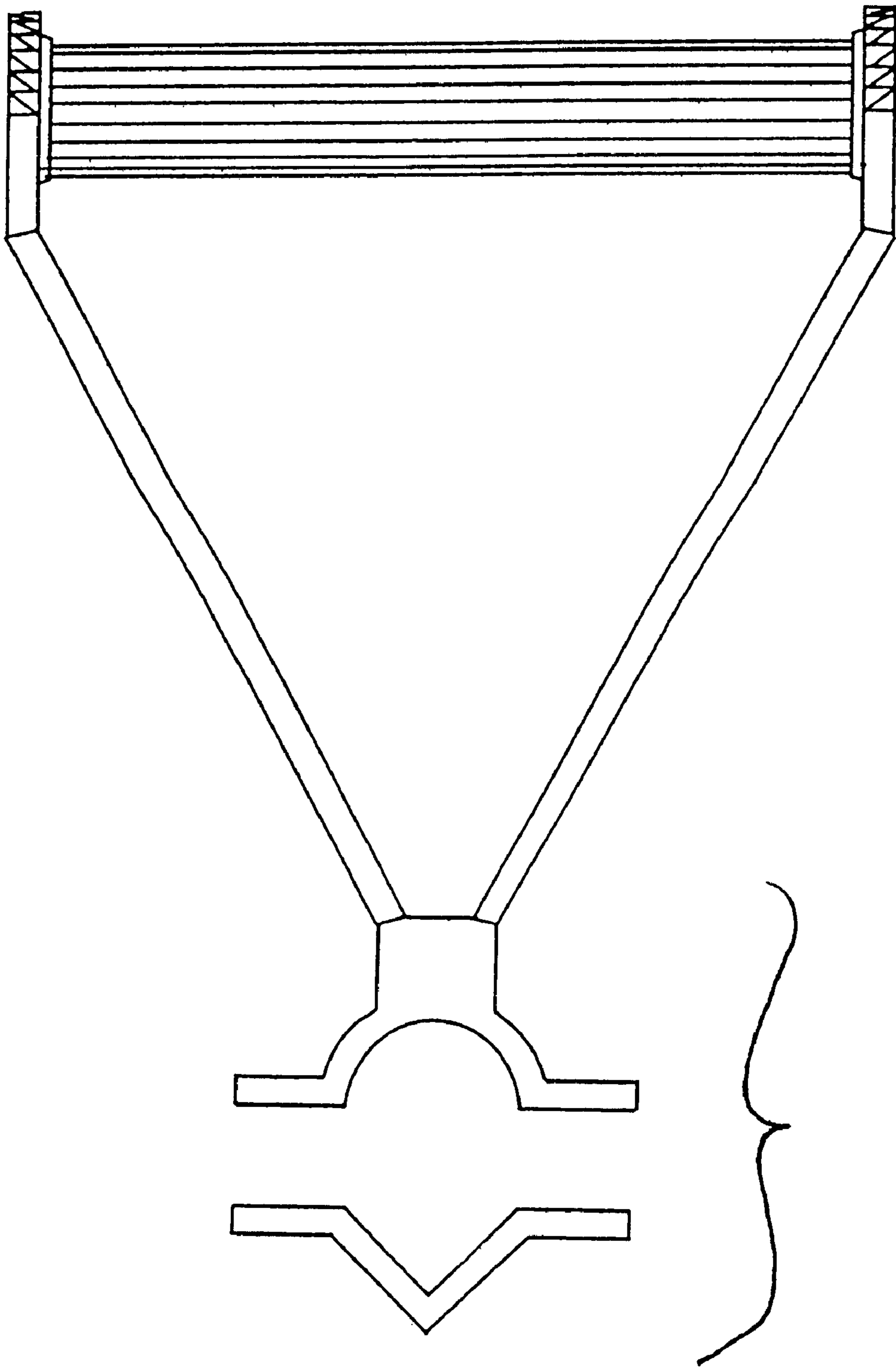


Figure 1

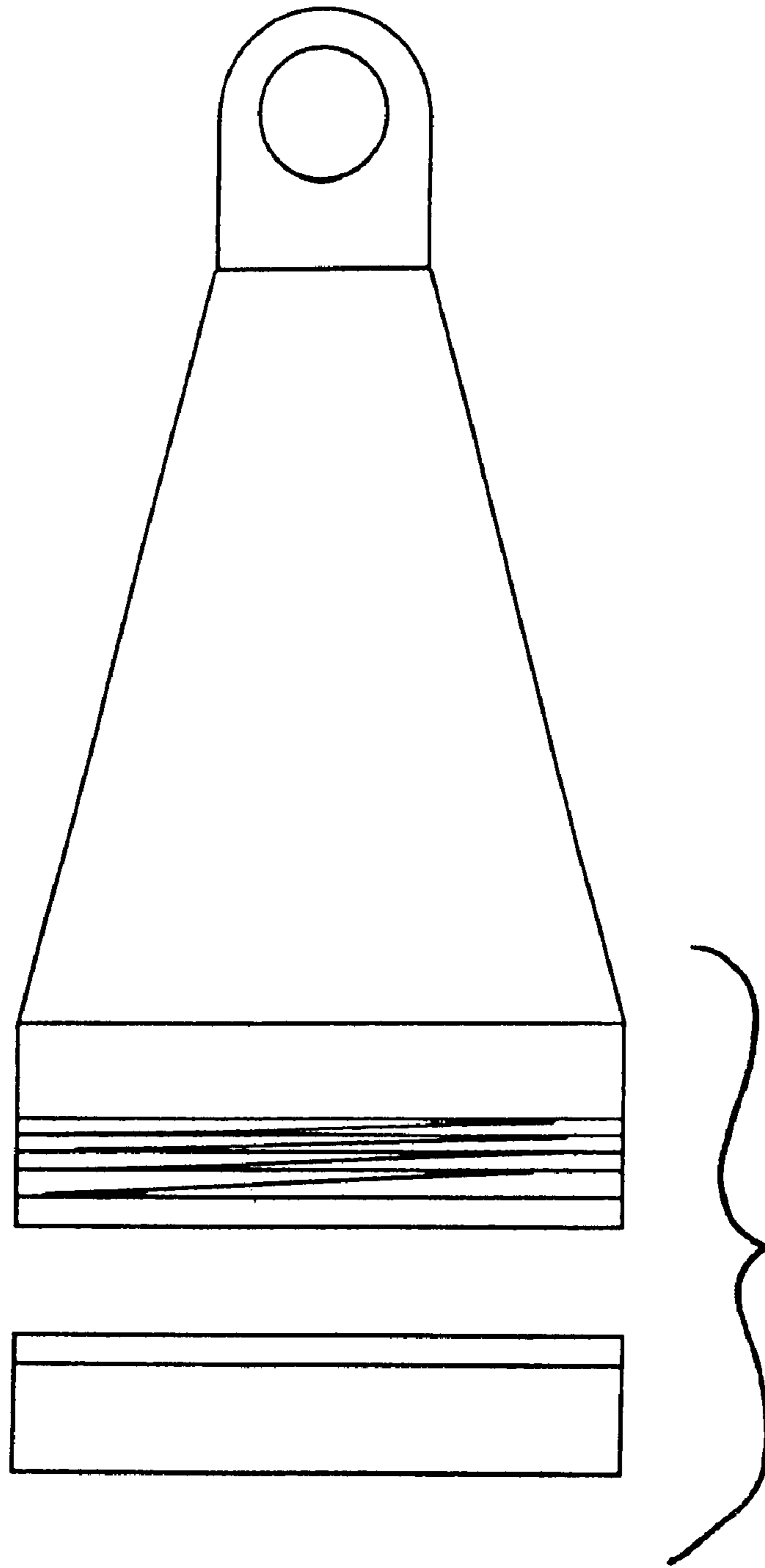


Figure 2

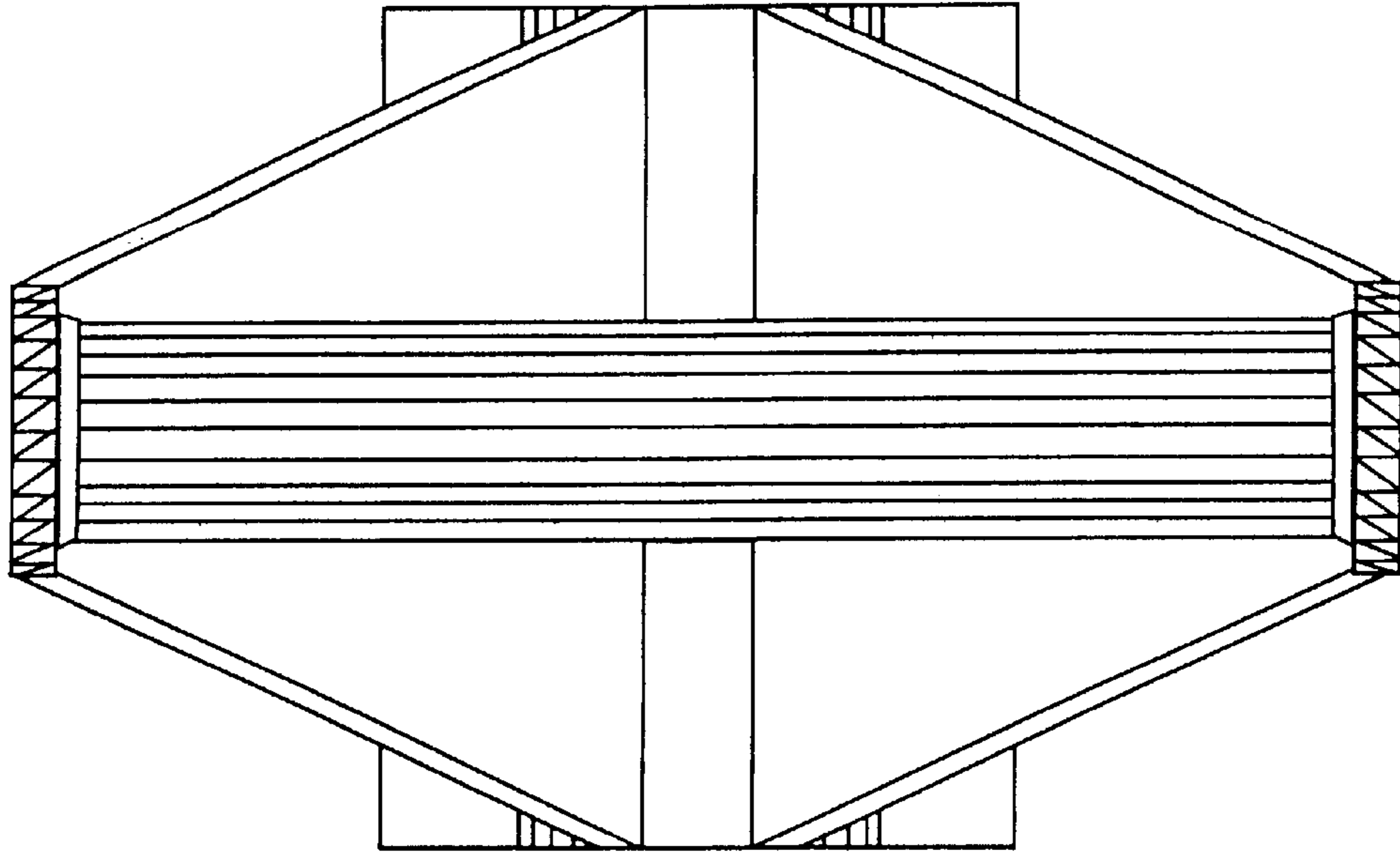


Figure 3

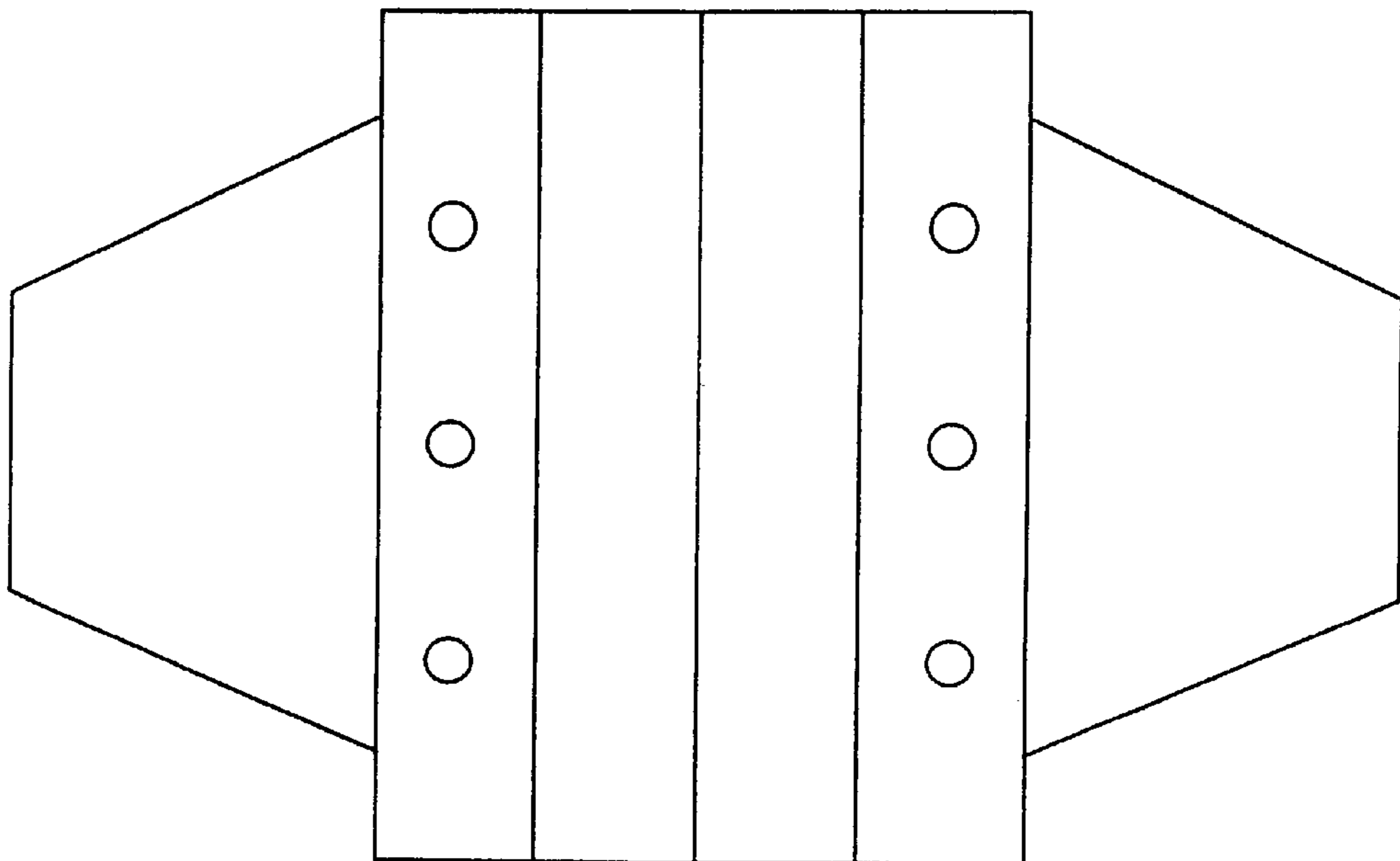


Figure 4

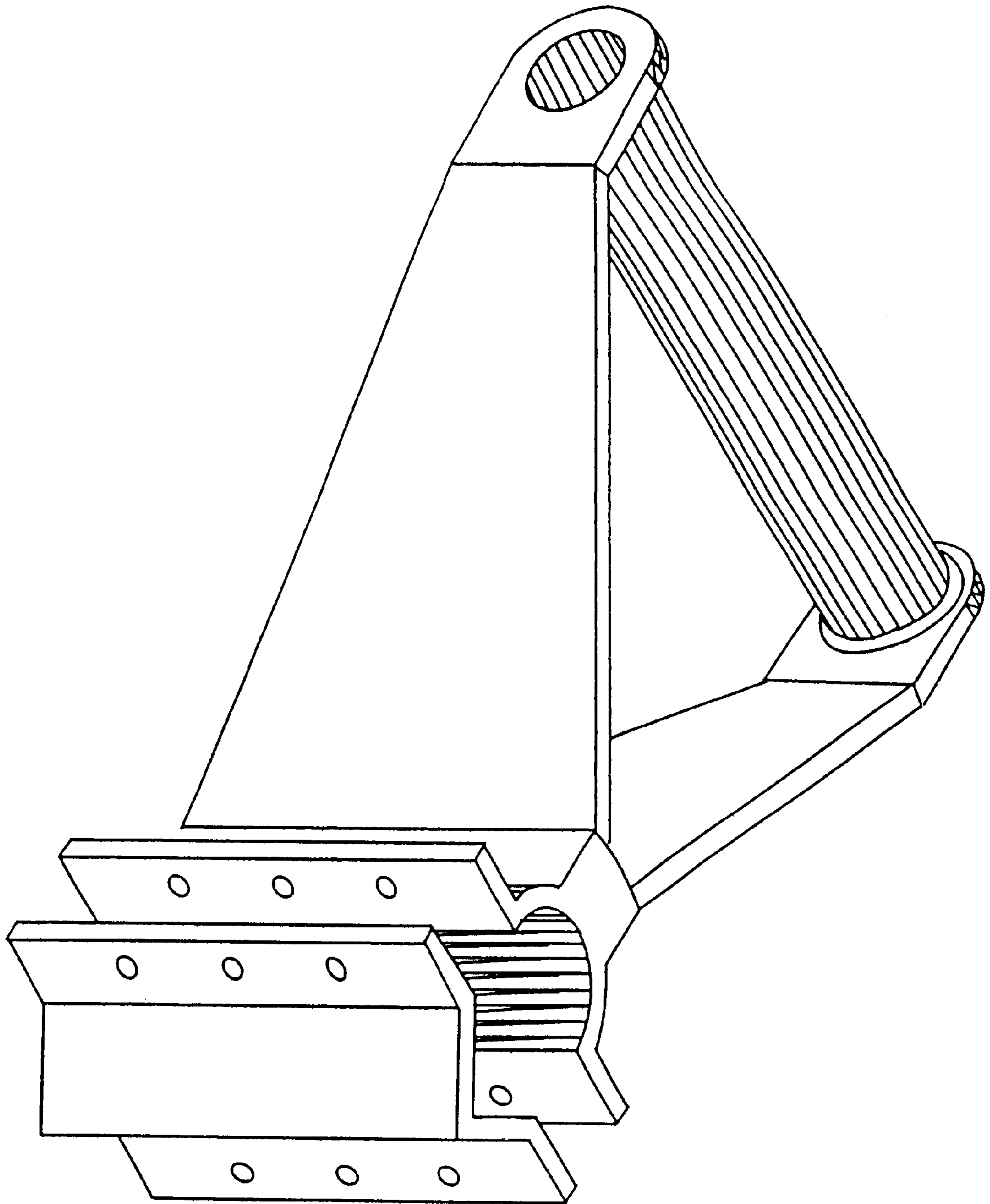


Figure 5