



US00D484018S

(12) **United States Design Patent**  
**Boyer et al.**

(10) **Patent No.:** **US D484,018 S**

(45) **Date of Patent:** **\*\* Dec. 23, 2003**

(54) **WISE**

(75) Inventors: **Christopher T. Boyer**, Oak Park, IL (US); **Mark R. Lytell**, Glendale Heights, IL (US)

(73) Assignee: **WMH Tool Group, Inc.**, Elgin, IL (US)

(\*\*) Term: **14 Years**

(21) Appl. No.: **29/165,921**

(22) Filed: **Aug. 20, 2002**

(51) **LOC (7) Cl.** ..... **08-05**

(52) **U.S. Cl.** ..... **D8/74**

(58) **Field of Search** ..... D8/74; 269/256-270

(56) **References Cited**

**U.S. PATENT DOCUMENTS**

86,173 A	1/1869	Maynard	
601,523 A	3/1898	Orchard	
1,333,432 A	3/1920	Maier	
D131,498 S	* 3/1942	Vogl	D8/74
D197,534 S	* 2/1964	Friedman	D8/74
4,352,489 A	10/1982	Wagster	
5,118,058 A	6/1992	Richter	
5,946,150 A	8/1999	Liao	

**OTHER PUBLICATIONS**

Two photographs of WMH Tool Group's Model 63500 2¾ Vacuum Base Vise, which was in public use or on sale prior to Aug. 20, 2001.

\* cited by examiner

*Primary Examiner*—Louis S. Zarfes

*Assistant Examiner*—Gregory Andoll

(74) *Attorney, Agent, or Firm*—Fitch, Even, Tabin & Flannery

(57) **CLAIM**

We claim the ornamental design for a vise, as shown and described.

**DESCRIPTION**

FIG. 1 is a perspective view of a vise according to our new design;

FIG. 2 is a left side elevational view of the vise of FIG. 1 shown with the jaws in a different position;

FIG. 3 is a right side elevational view of the vise of FIG. 2;

FIG. 4 is a front elevational view of the vise of FIG. 2;

FIG. 5 is a rear elevational view of the vise of FIG. 2;

FIG. 6 is a top plan view of the vise of FIG. 2;

FIG. 7 is a bottom plan view of the vise of FIG. 2; and,

FIG. 8 is a perspective view of the vise of FIG. 1 having jaw pads shown in phantom and exploded from the vise, the broken lines indicating that the pads are for illustrative purposes only and form no part of the claimed design.

The broken line showing of the threaded shaft in FIGS. 1, 6 and 8 are for illustrative purposes only and form no part of the claimed design.

**1 Claim, 5 Drawing Sheets**

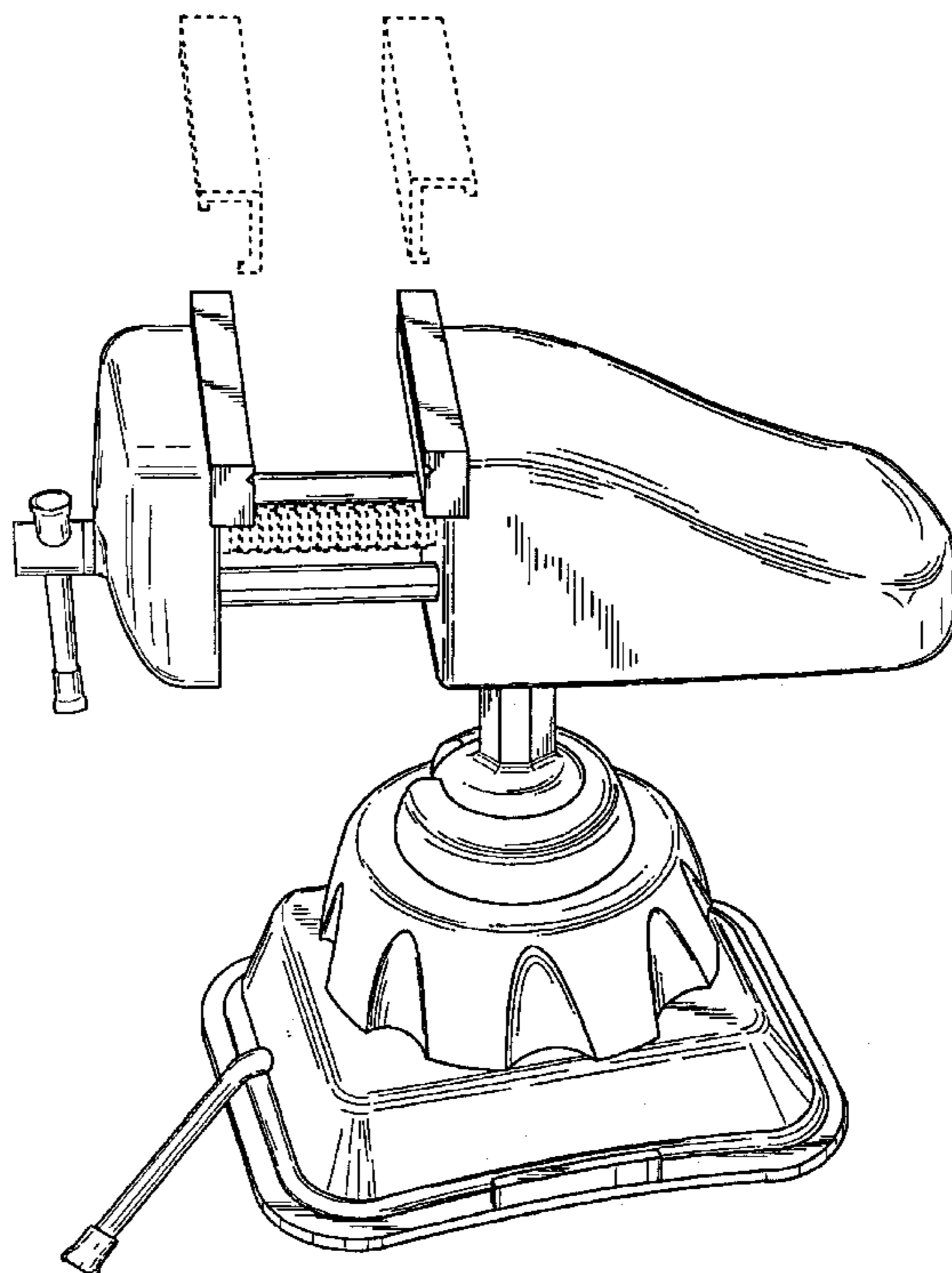
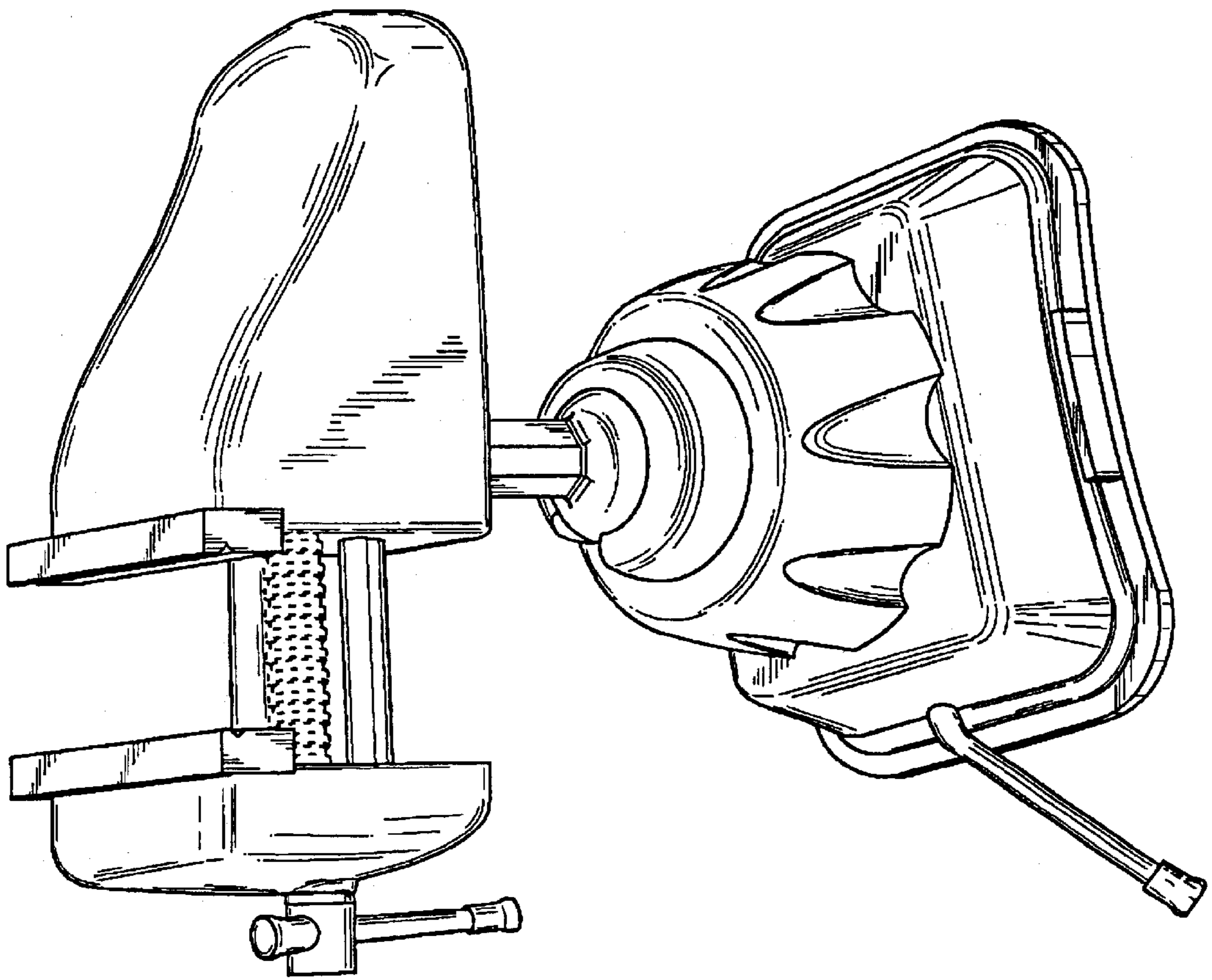


Fig. 1



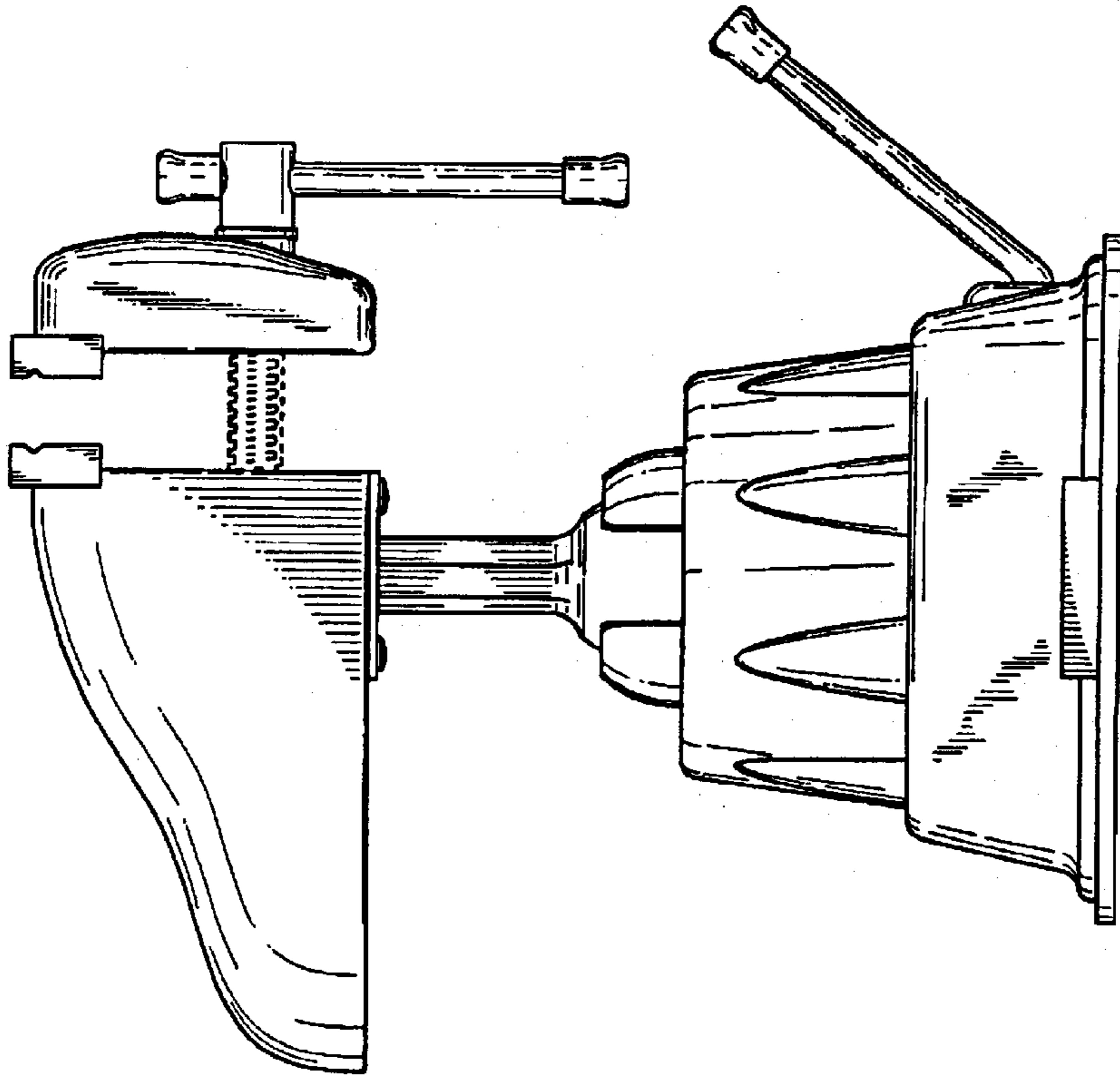


Fig. 3

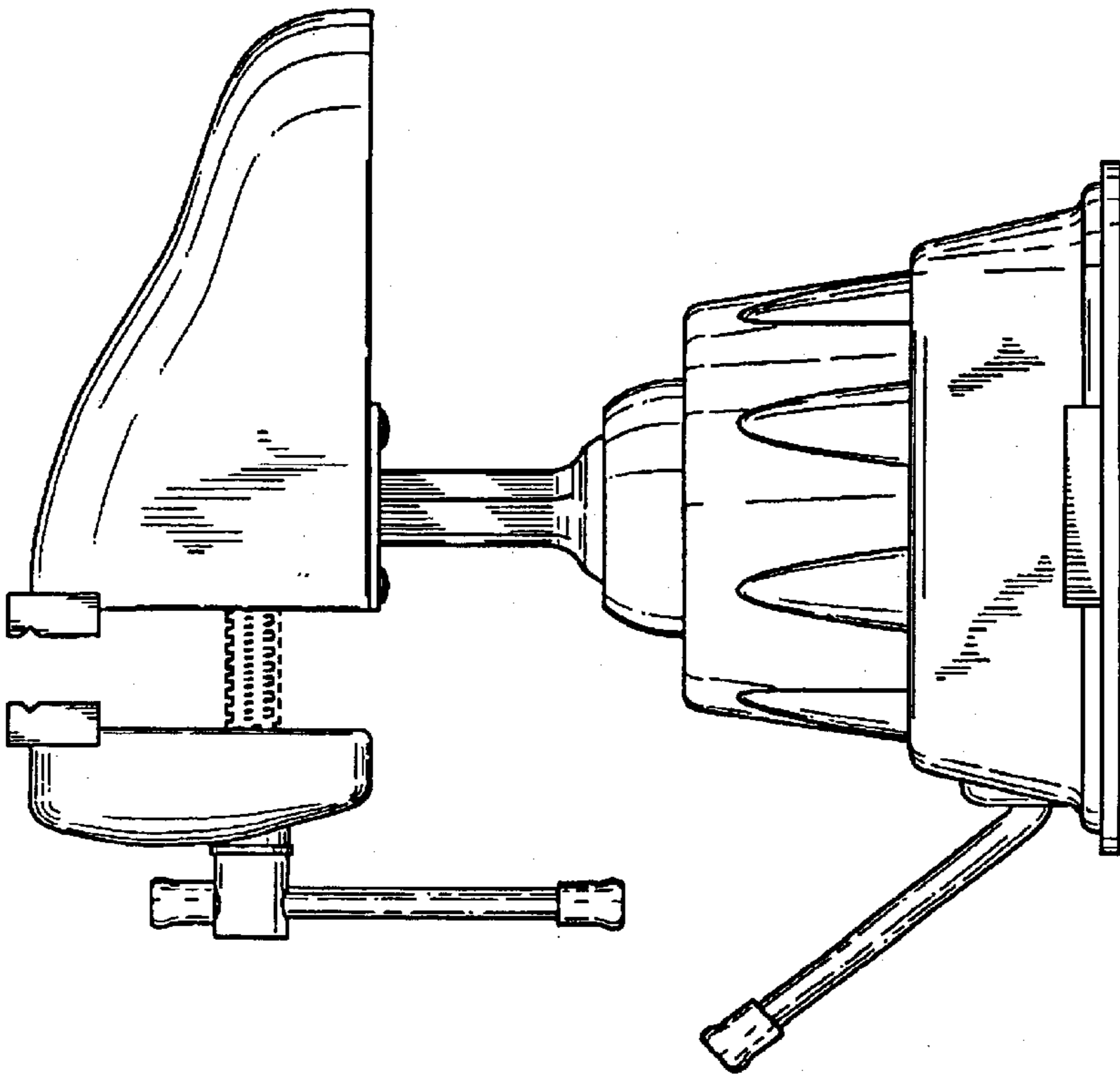
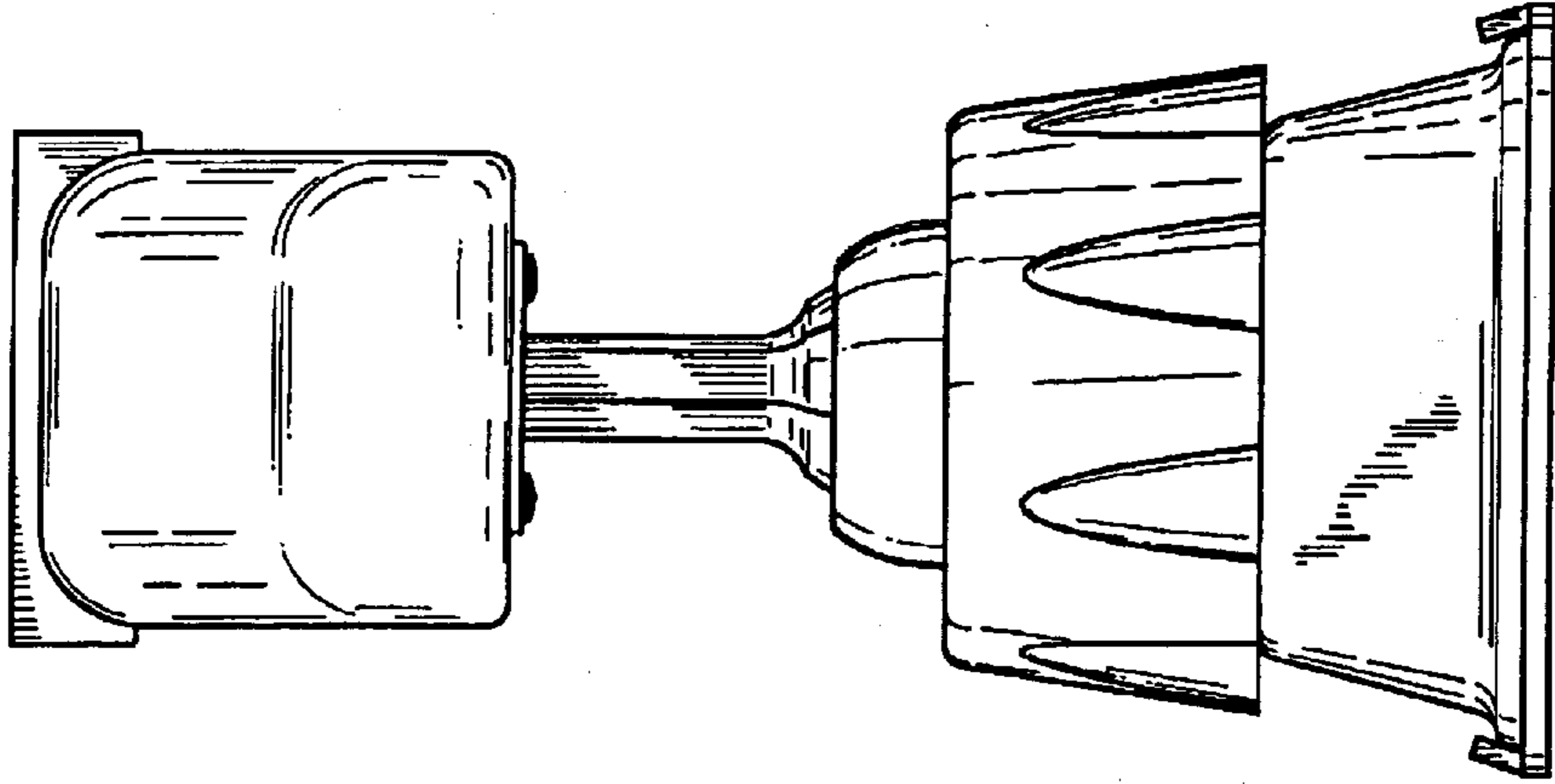
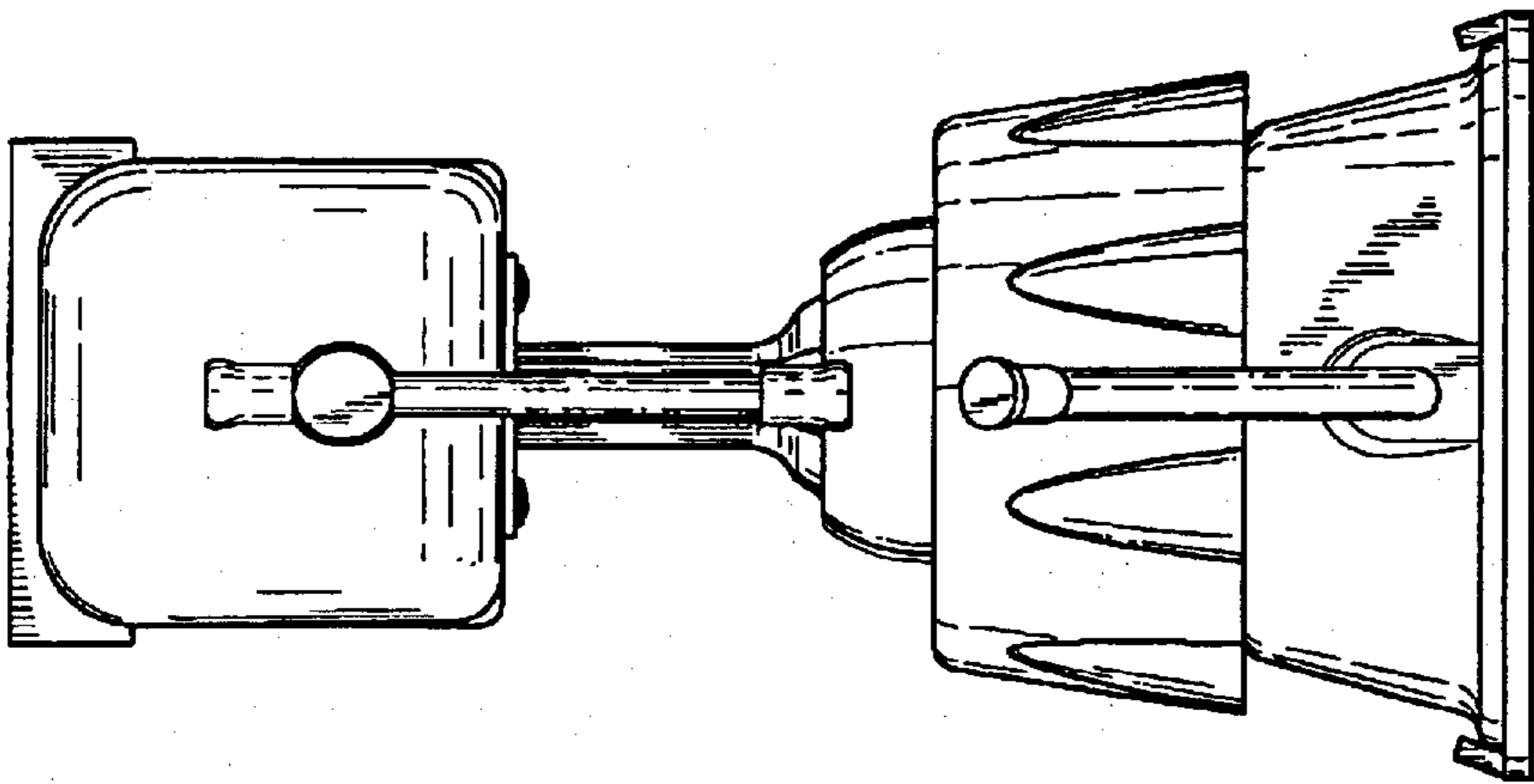


Fig. 2



*Fig. 5*



*Fig. 4*

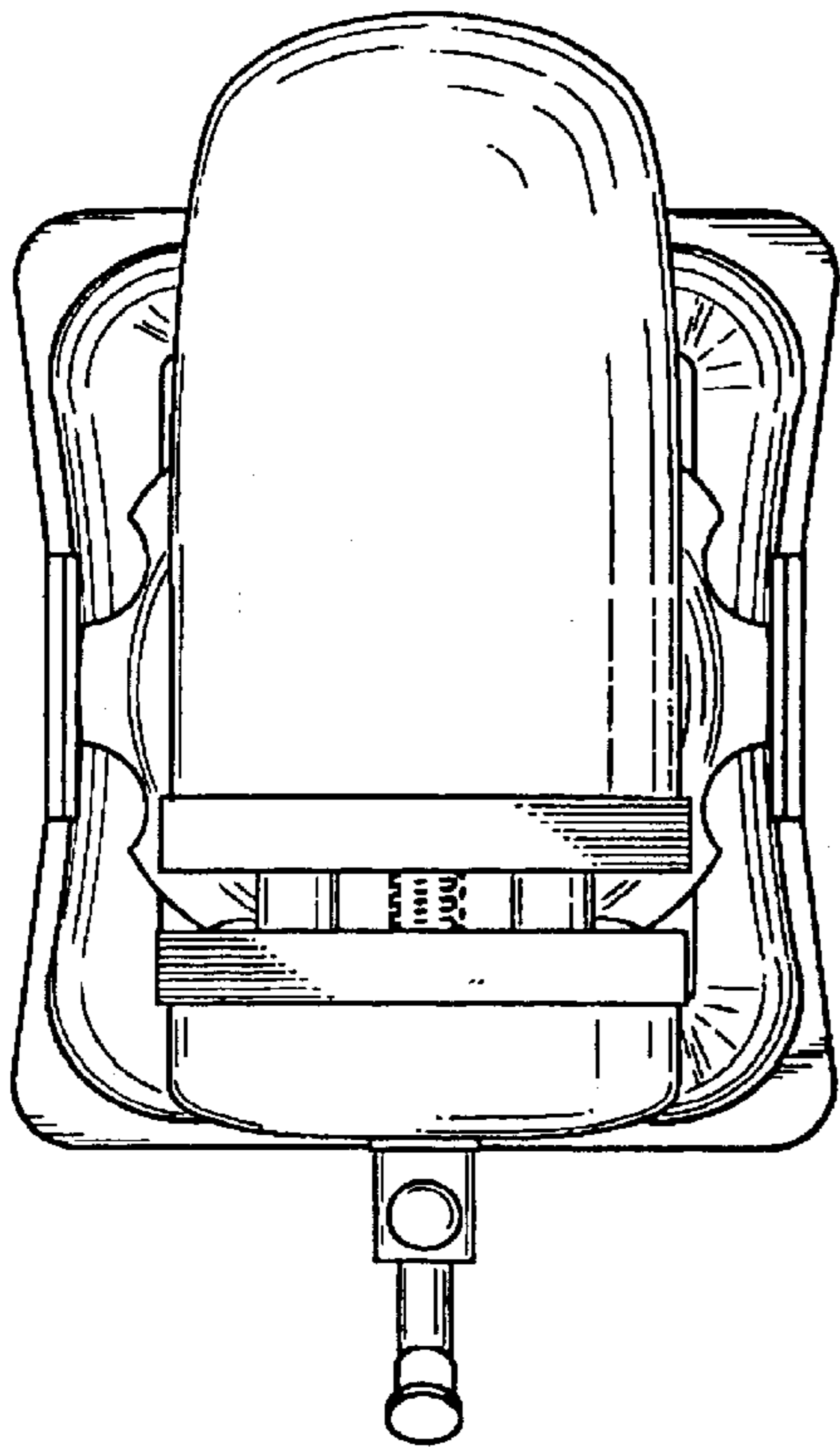


Fig. 6

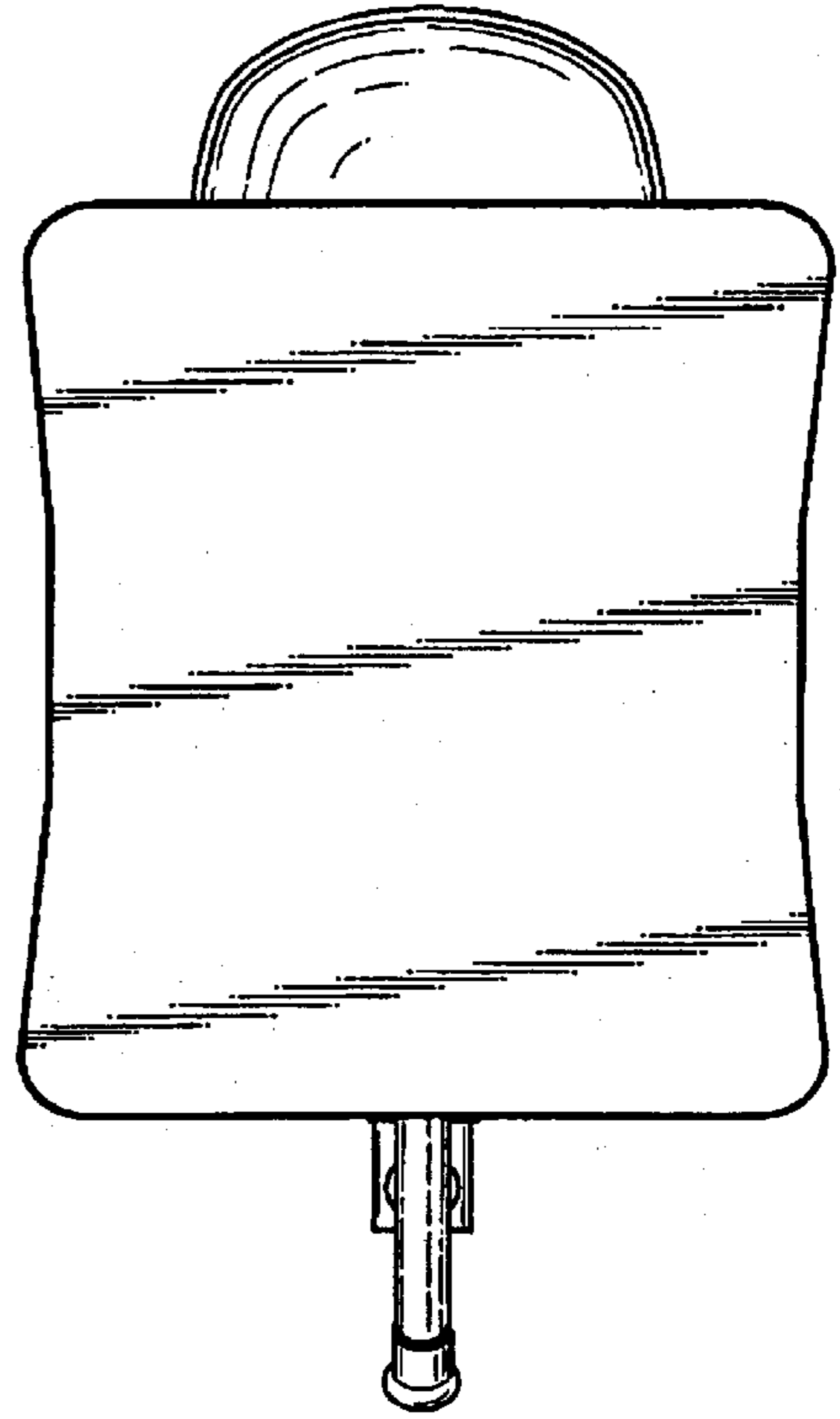


Fig. 7

