



US00D484017S

(12) **United States Design Patent**
Knox

(10) **Patent No.:** **US D484,017 S**

(45) **Date of Patent:** **** Dec. 23, 2003**

(54) **CLAMP**

(75) Inventor: **John E. Knox**, Buehl-Affental (DE)

(73) Assignee: **Bessey & Sohn GmbH & Co**,
Bietigheim-Bissingen (DE)

(**) Term: **14 Years**

(21) Appl. No.: **29/176,907**

(22) Filed: **Feb. 28, 2003**

(51) **LOC (7) Cl.** **08-05**

(52) **U.S. Cl.** **D8/72**

(58) **Field of Search** D8/71-74; 81/4,
81/484, 487, 150, 152; 269/2, 6, 16, 165-170,
900, 224, 203, 257, 258, 249, 250, 45,
47

(56) **References Cited**

U.S. PATENT DOCUMENTS

- D320,919 S * 10/1991 Sorensen et al. D8/72
- D328,846 S * 8/1992 Sorensen et al. D8/72
- 6,412,767 B1 * 7/2002 Beckman et al. 269/166

OTHER PUBLICATIONS

U.S. patent application Ser. No. 10/316,999, filed Dec. 11, 2002.*

Photographs of prior clamps manufactured by Applicant and Applicant's competitors—13 pages (date unknown).

* cited by examiner

Primary Examiner—Louis S. Zarfes

Assistant Examiner—Gregory Andoll

(74) *Attorney, Agent, or Firm*—Barry R. Lipsitz

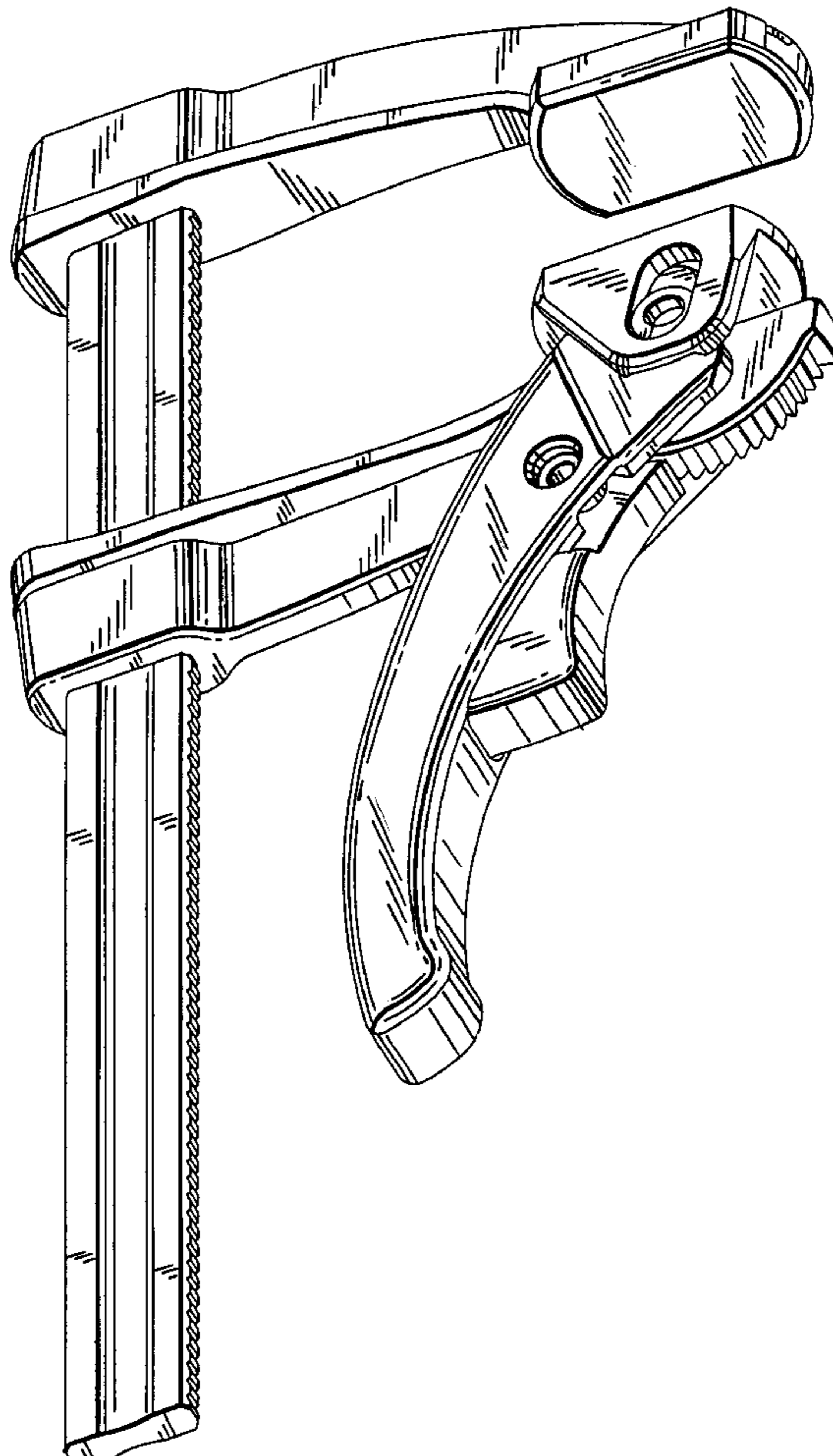
(57) **CLAIM**

The ornamental design for a clamp, as shown and described.

DESCRIPTION

FIG. 1 is a front and left side perspective view showing the design including a slide arm, slide rail and fixed arm;
 FIG. 2 is a left side view thereof;
 FIG. 3 is a top view thereof;
 FIG. 4 is a rear elevational view thereof;
 FIG. 5 is a front elevational view thereof;
 FIG. 6 is a bottom view thereof; and,
 FIG. 7 is a right side view thereof.

1 Claim, 5 Drawing Sheets



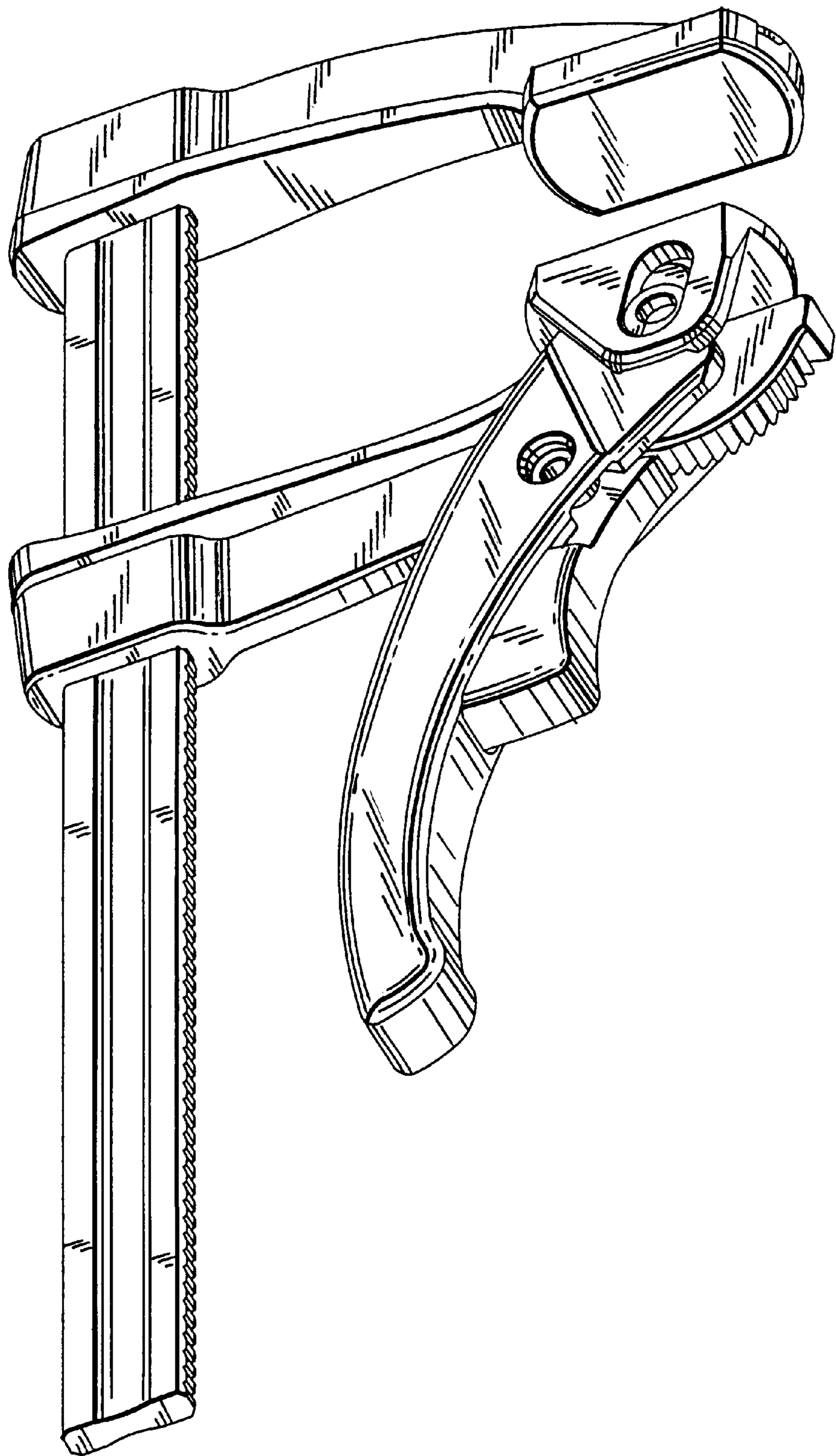


FIG. 1

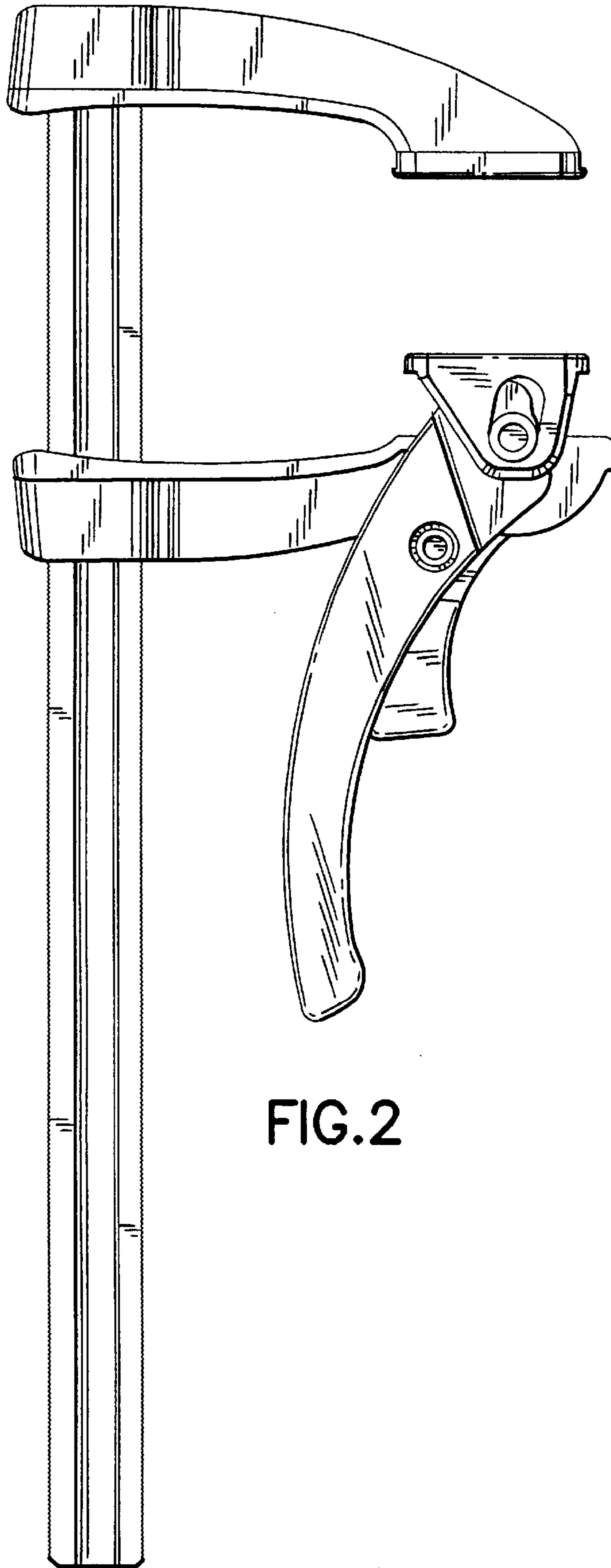


FIG. 2

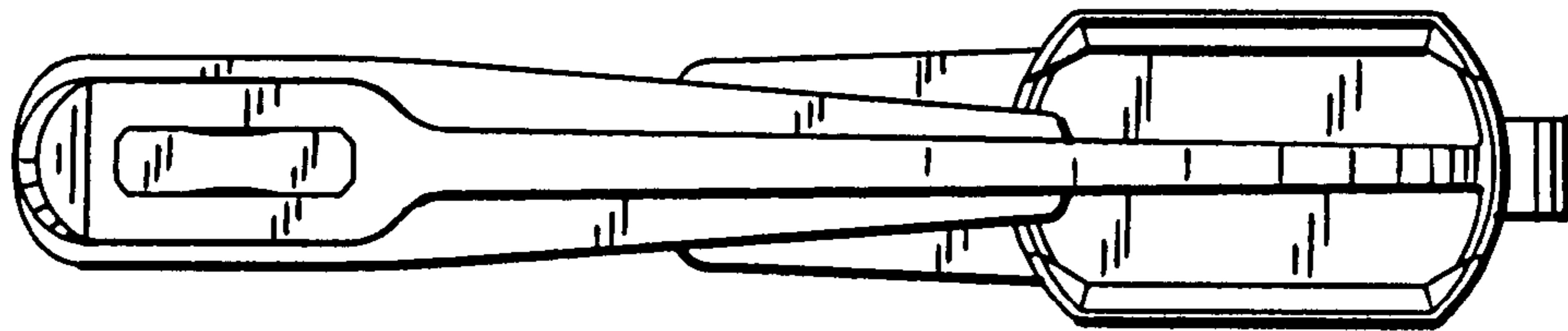


FIG. 3

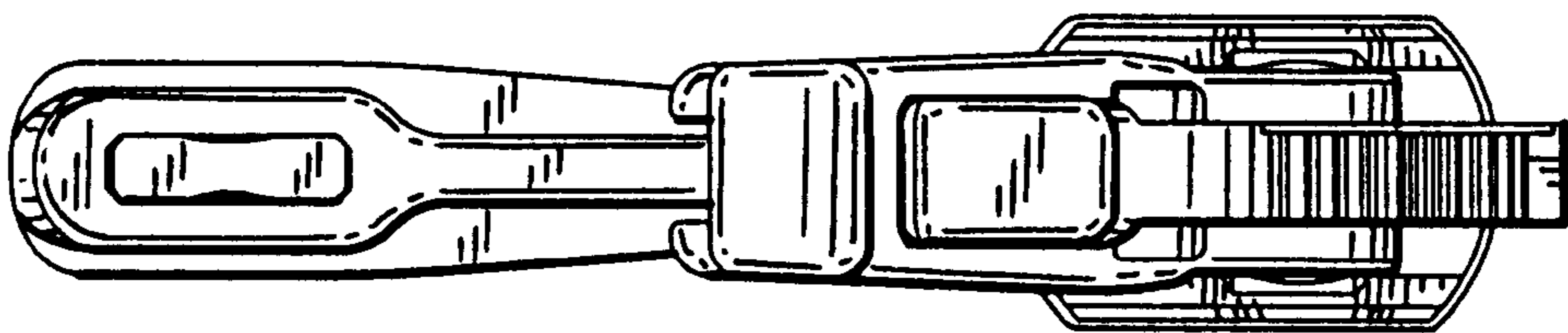


FIG. 6

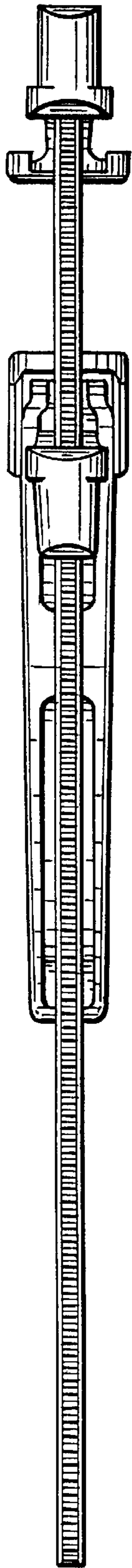


FIG. 4

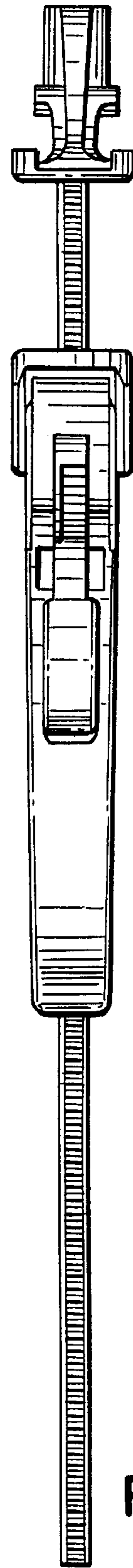


FIG. 5

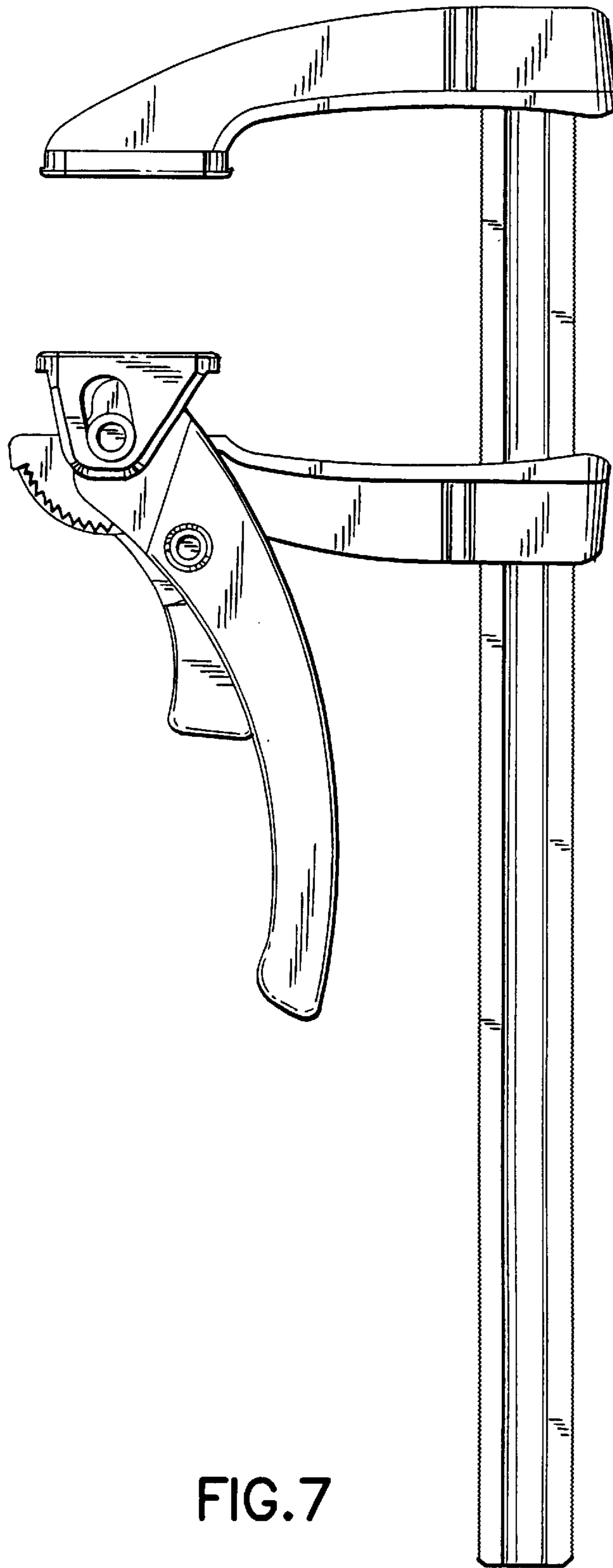


FIG.7