



US00D484015S

(12) **United States Design Patent**
Johnson

(10) **Patent No.: US D484,015 S**

(45) **Date of Patent: ** Dec. 23, 2003**

(54) **MULTI-POSITIONAL JAR OPENER**

(75) Inventor: **Charles Sven Johnson**, Shelton, CT
(US)

(73) Assignee: **HP Intellectual Corp.**, Wilmington, DE
(US)

(**) Term: **14 Years**

(21) Appl. No.: **29/169,061**

(22) Filed: **Oct. 15, 2002**

(51) **LOC (7) Cl. 07-99**

(52) **U.S. Cl. D8/33**

(58) **Field of Search D8/33-43; 7/151-156;**
81/3.07-3.49; 30/400-450

(56) **References Cited**

U.S. PATENT DOCUMENTS

D154,107 S	*	6/1949	Donnelly	D8/33
D158,944 S	*	6/1950	Donnelly	D8/33
D167,251 S	*	7/1952	Borland	D8/33
D187,217 S	*	2/1960	Pinette	D8/36
5,167,172 A	*	12/1992	Heebner	81/3.2
5,353,665 A	*	10/1994	Heebner	81/3.2
5,899,122 A	*	5/1999	Court	81/3.2
5,996,441 A	*	12/1999	Bateman	81/3.2
D429,980 S		8/2000	Warrick	D8/36
6,125,718 A		10/2000	Hill	81/3.2
6,148,692 A	*	11/2000	Russell	81/3.2

6,182,534 B1	2/2001	Hardman	81/3.2	
6,293,170 B1	9/2001	Hajianpour	81/3.2	
2003/0070510 A1	*	4/2003	Tremblay	81/3.2

* cited by examiner

Primary Examiner—Caron D. Veynar

(74) *Attorney, Agent, or Firm*—Barry E. Deutsch

(57) **CLAIM**

The ornamental design for a multi-positional jar opener, as shown and described.

DESCRIPTION

FIG. 1 is a front elevation view of a multi-positional jar opener showing my new design;
 FIG. 2 is a rear elevation view thereof;
 FIG. 3 is a right side elevation view thereof;
 FIG. 4 is a left side elevation view thereof;
 FIG. 5 is a top plan view thereof;
 FIG. 6 is a bottom plan view thereof;
 FIG. 7 is a front elevation view of the jar opener in an extended position;
 FIG. 8 is a rear elevation view of the jar opener shown in FIG. 7;
 FIG. 9 is a right side elevation view of the jar opener shown in FIG. 7; and,
 FIG. 10 is a left side elevation view of the jar opener shown in FIG. 7.

1 Claim, 10 Drawing Sheets

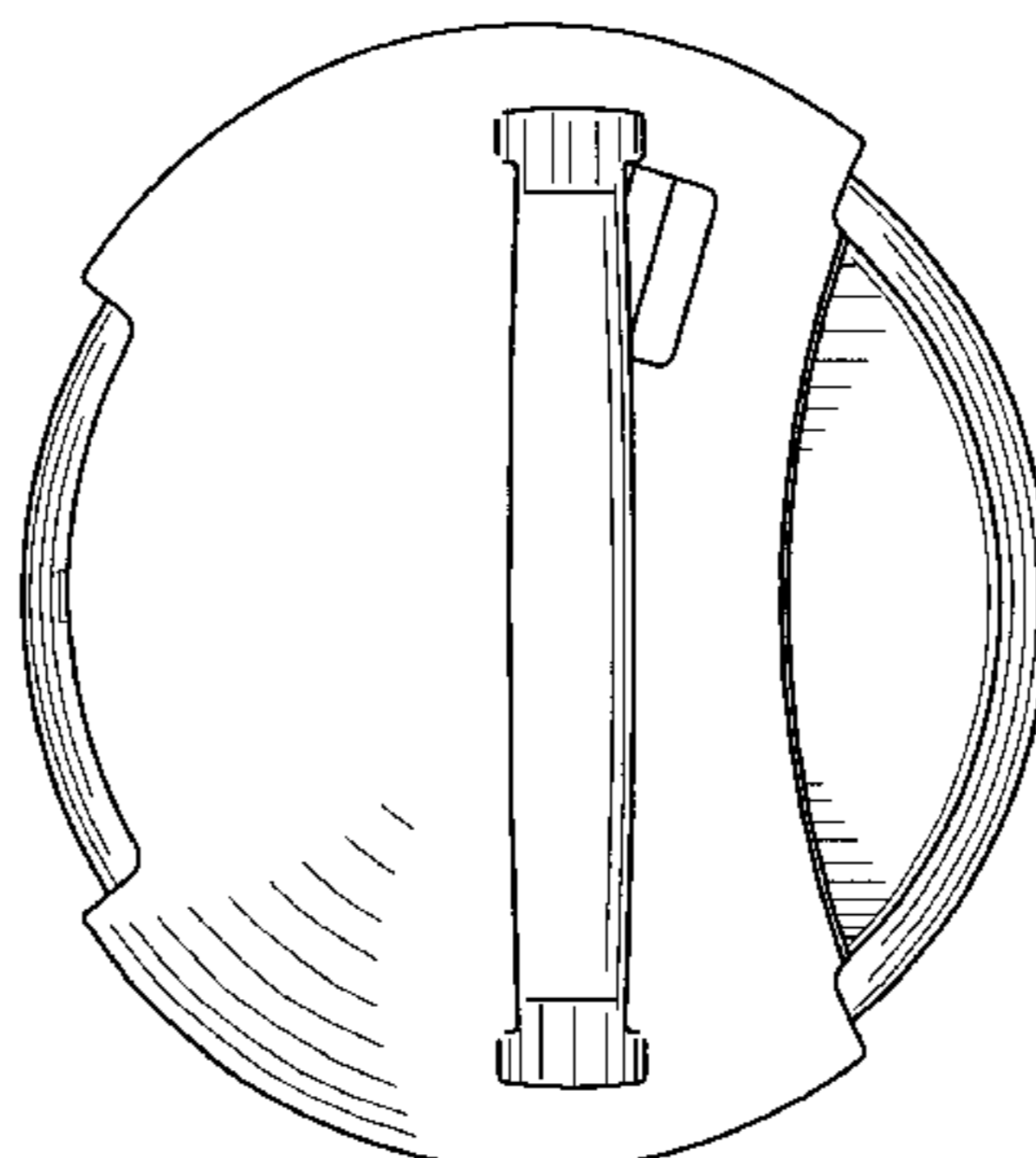
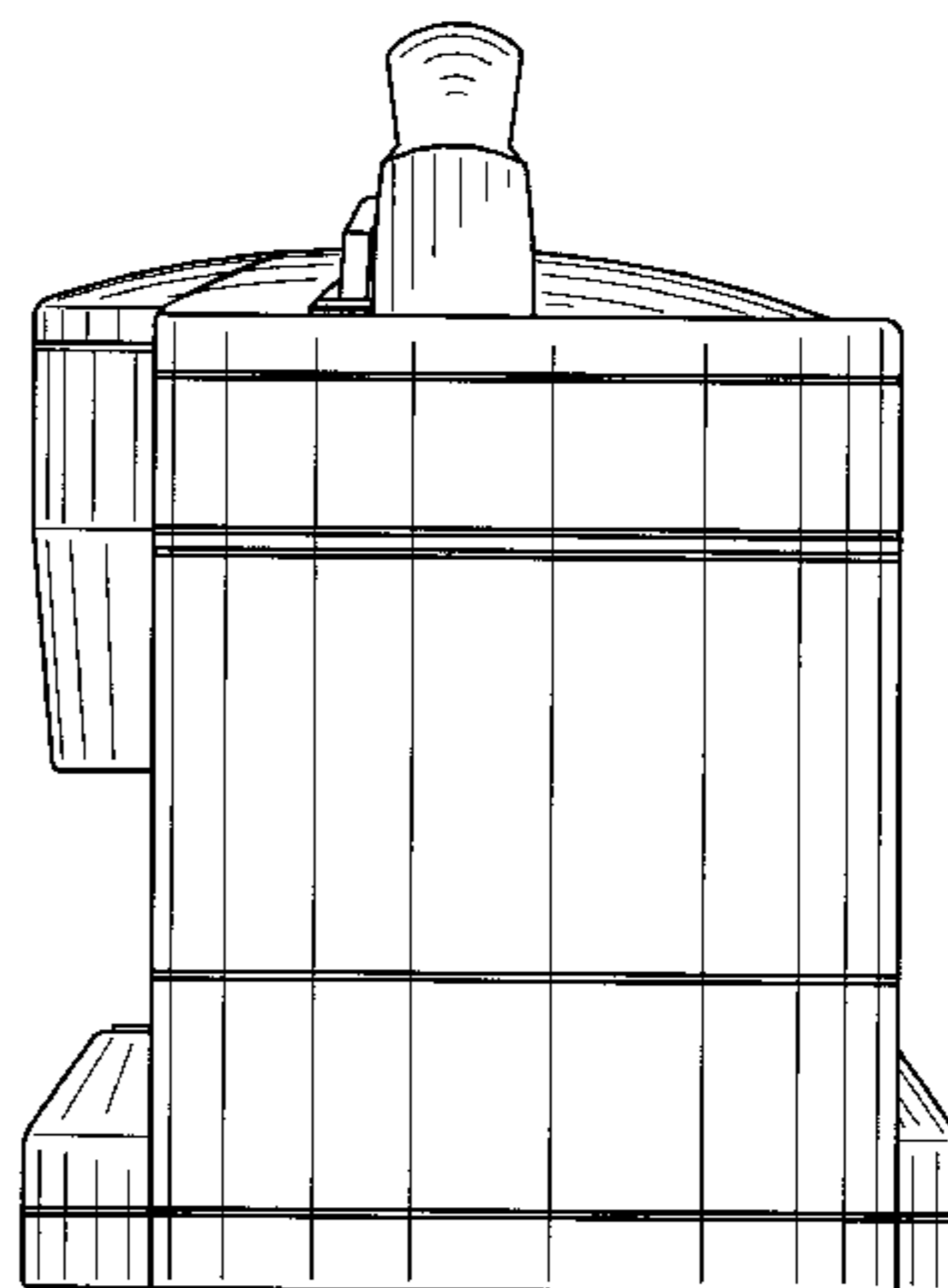
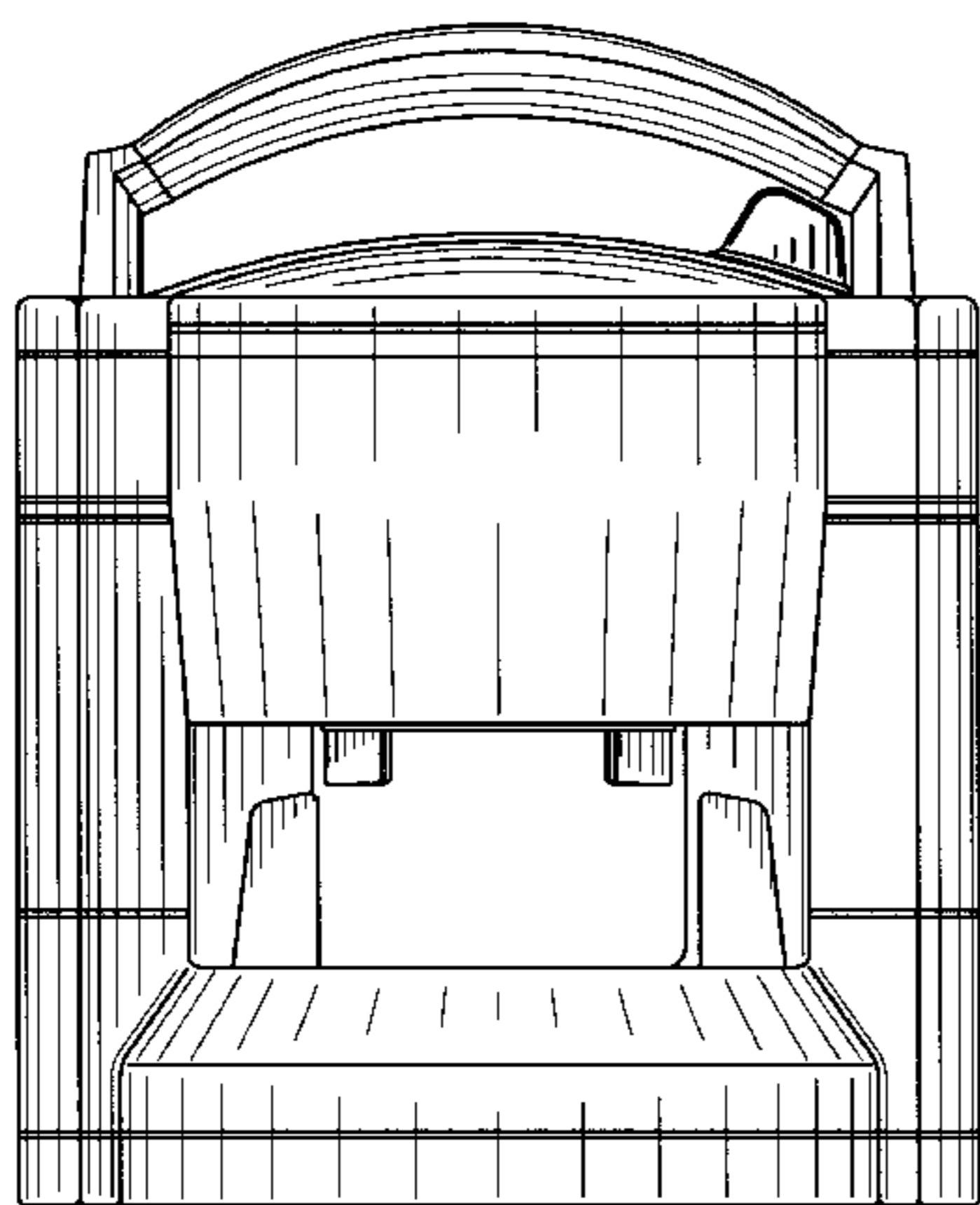


FIG. 1

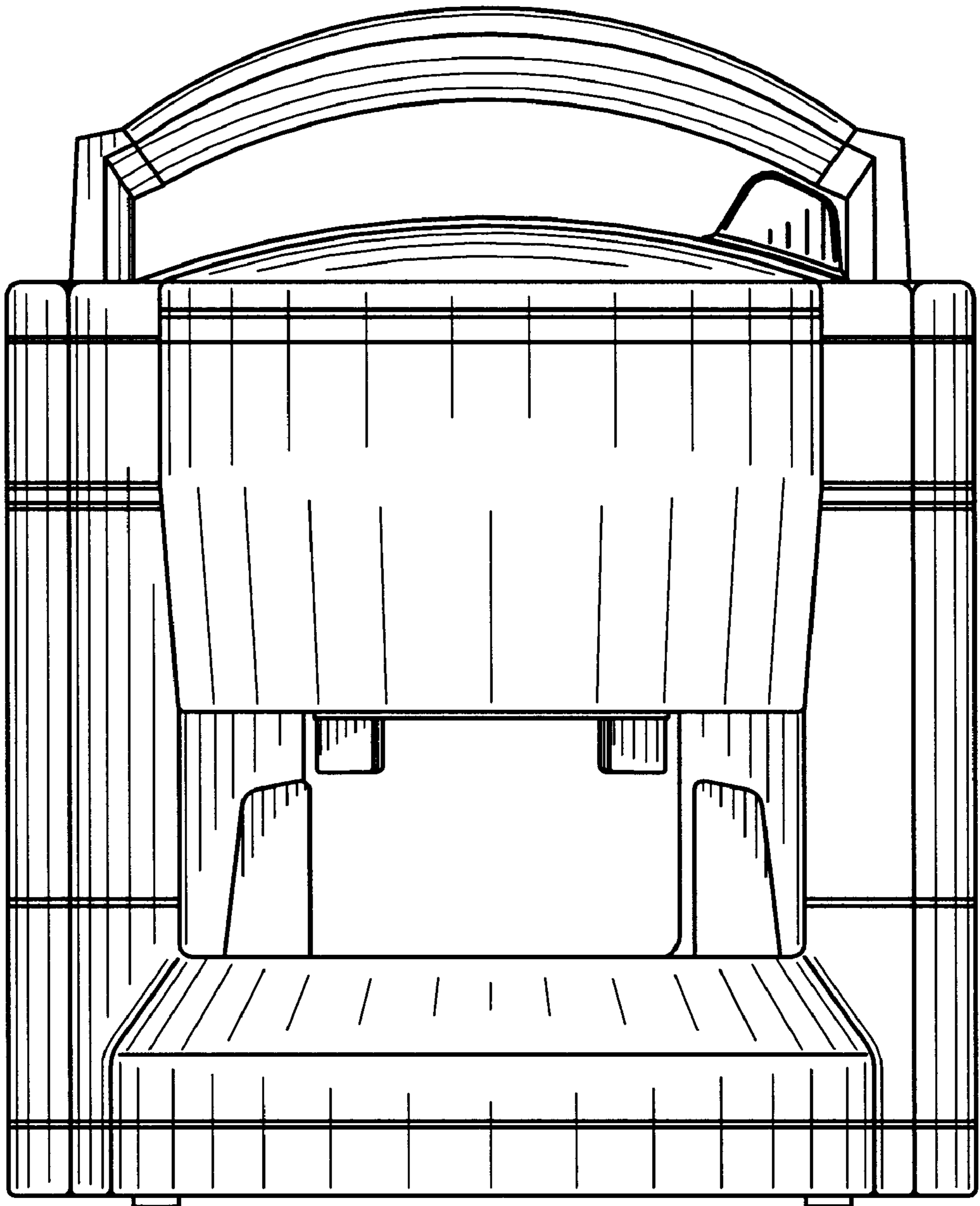


FIG. 2

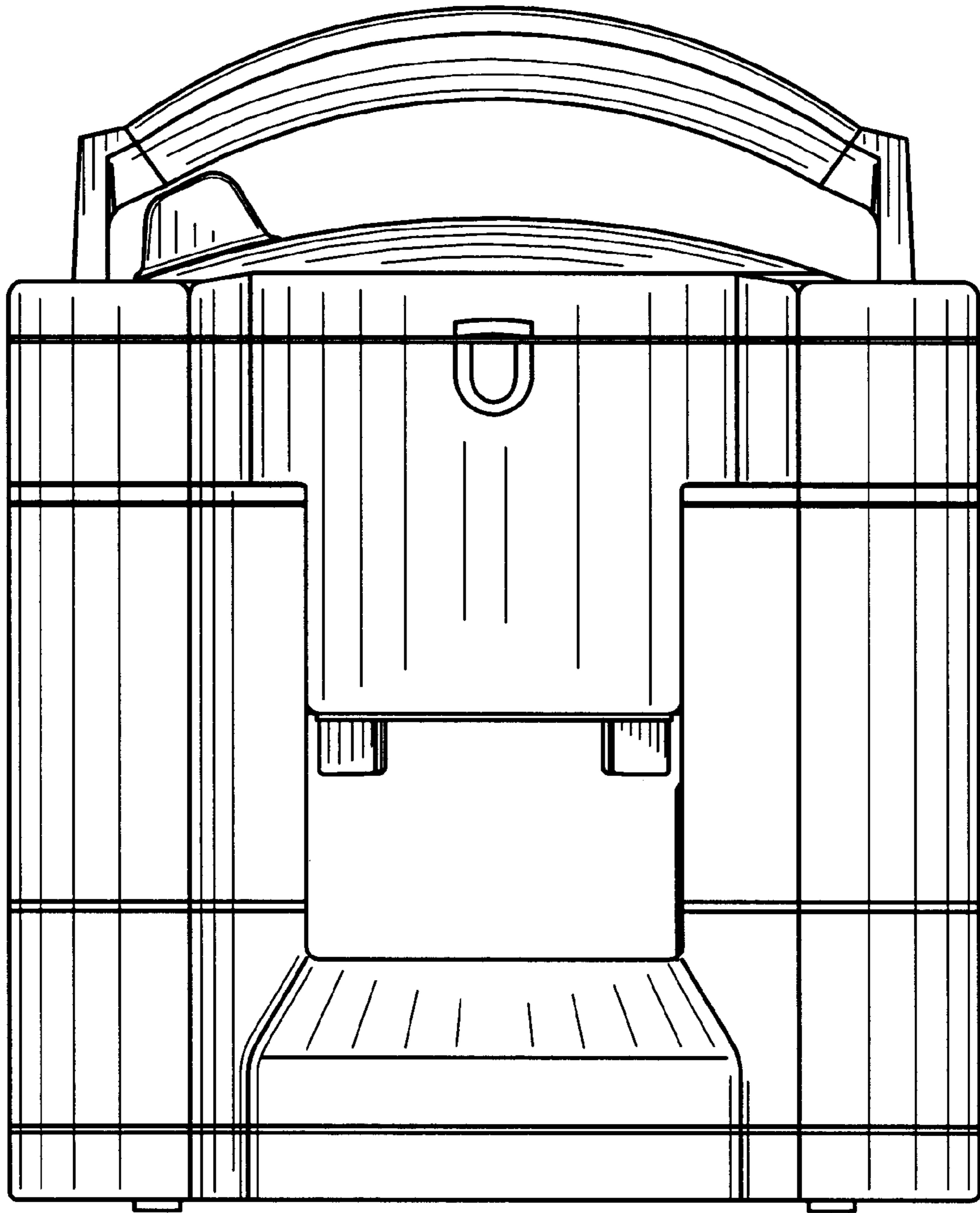


FIG. 3

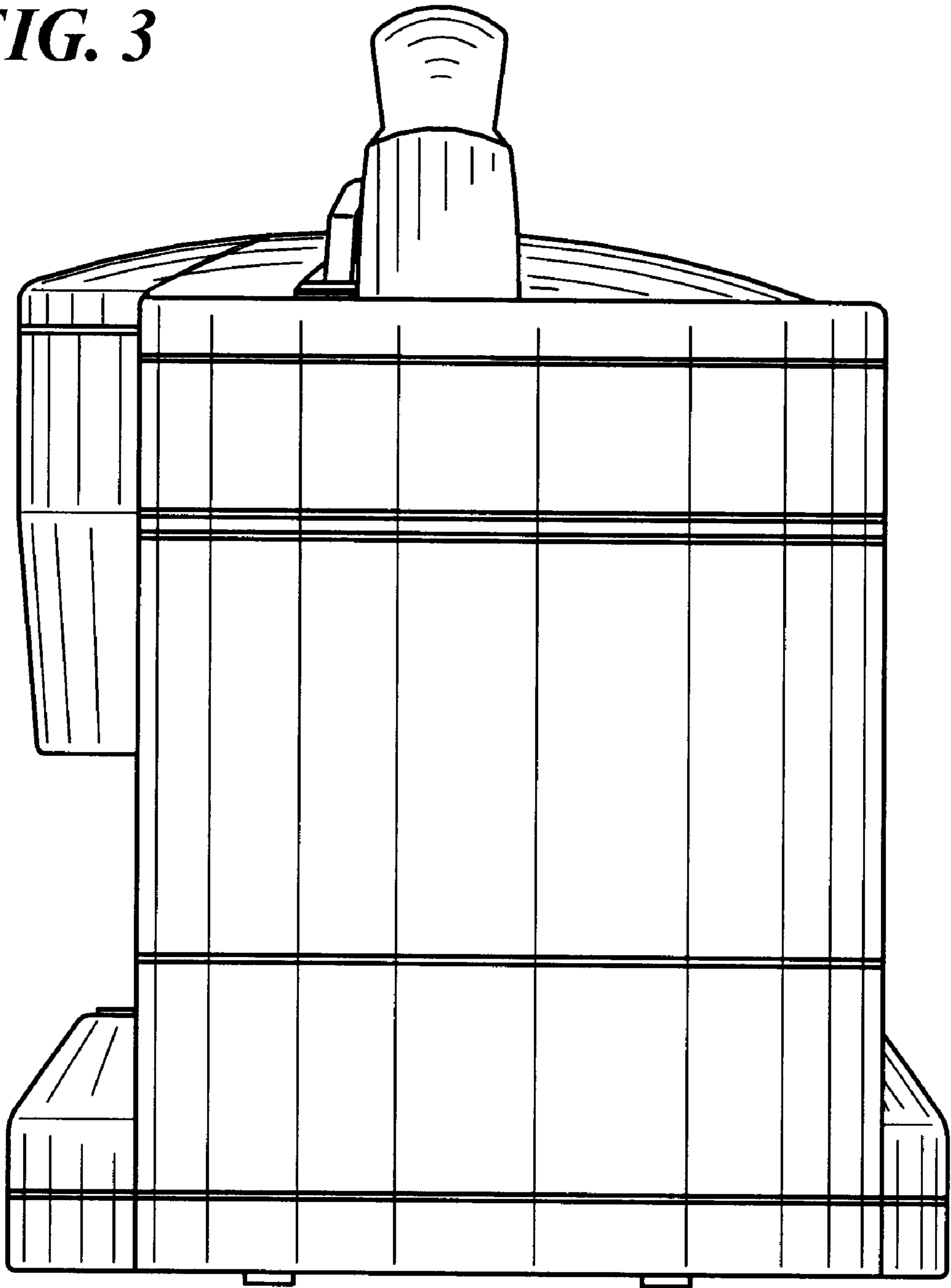


FIG. 4

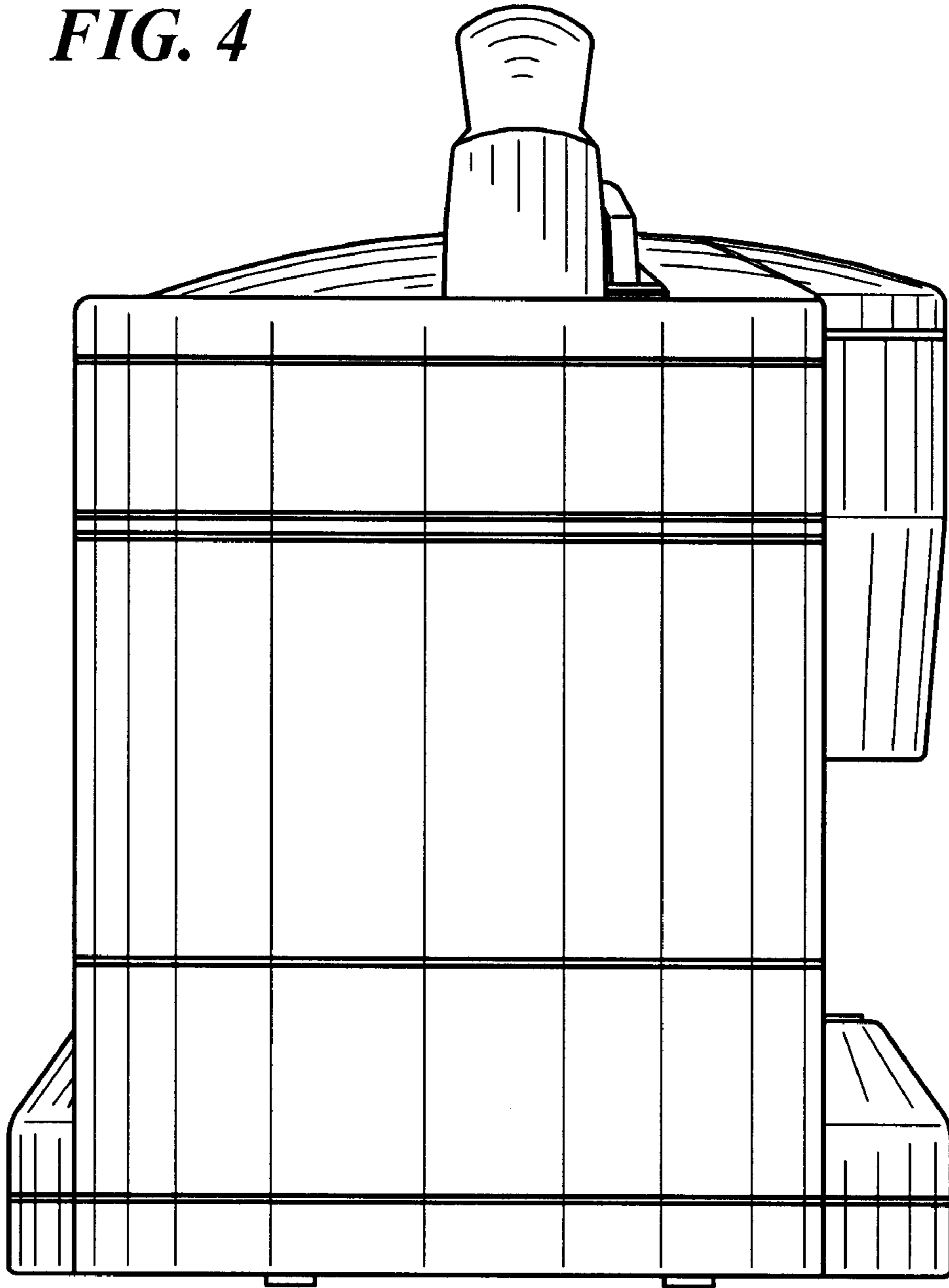


FIG. 5

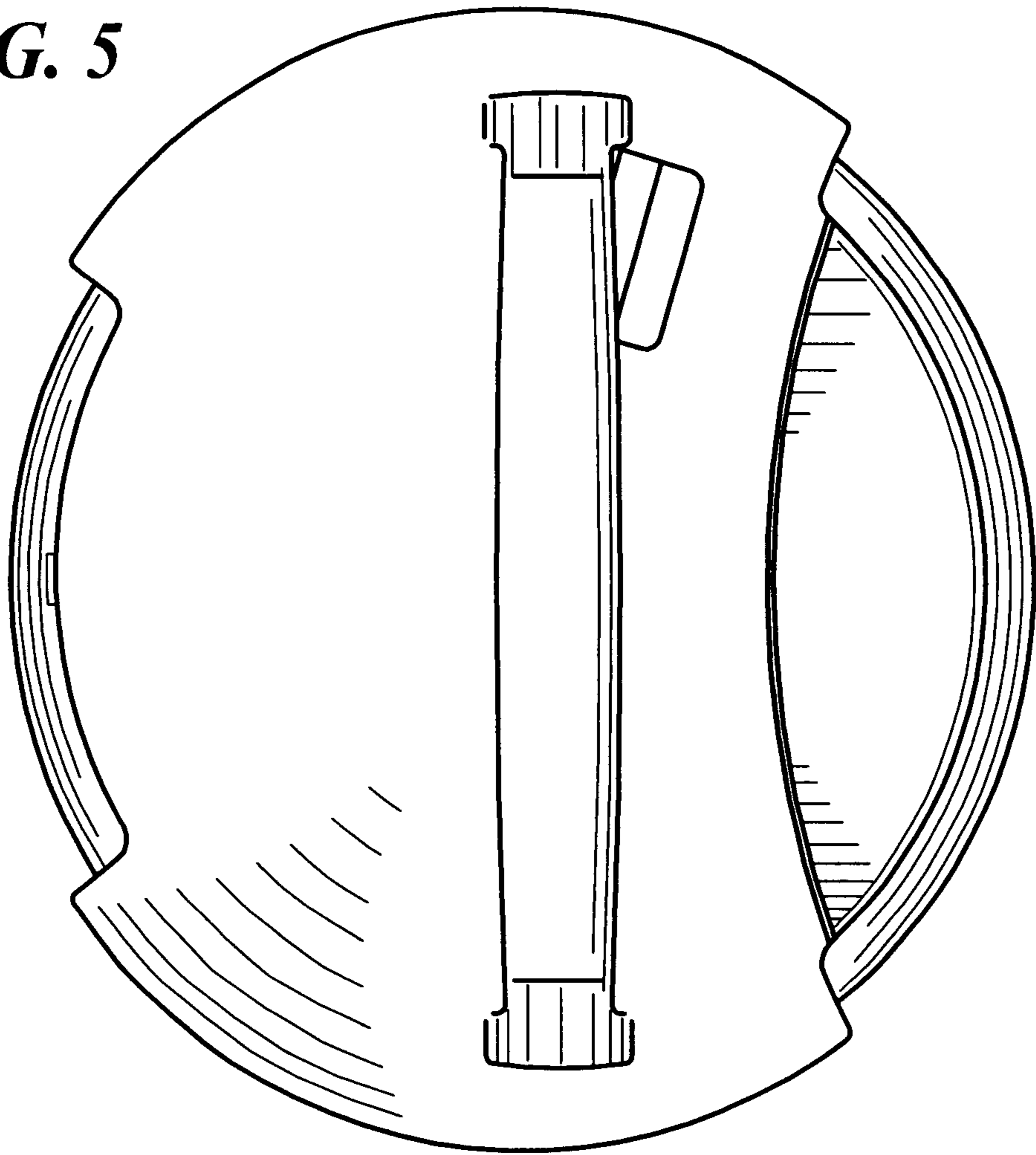


FIG. 6

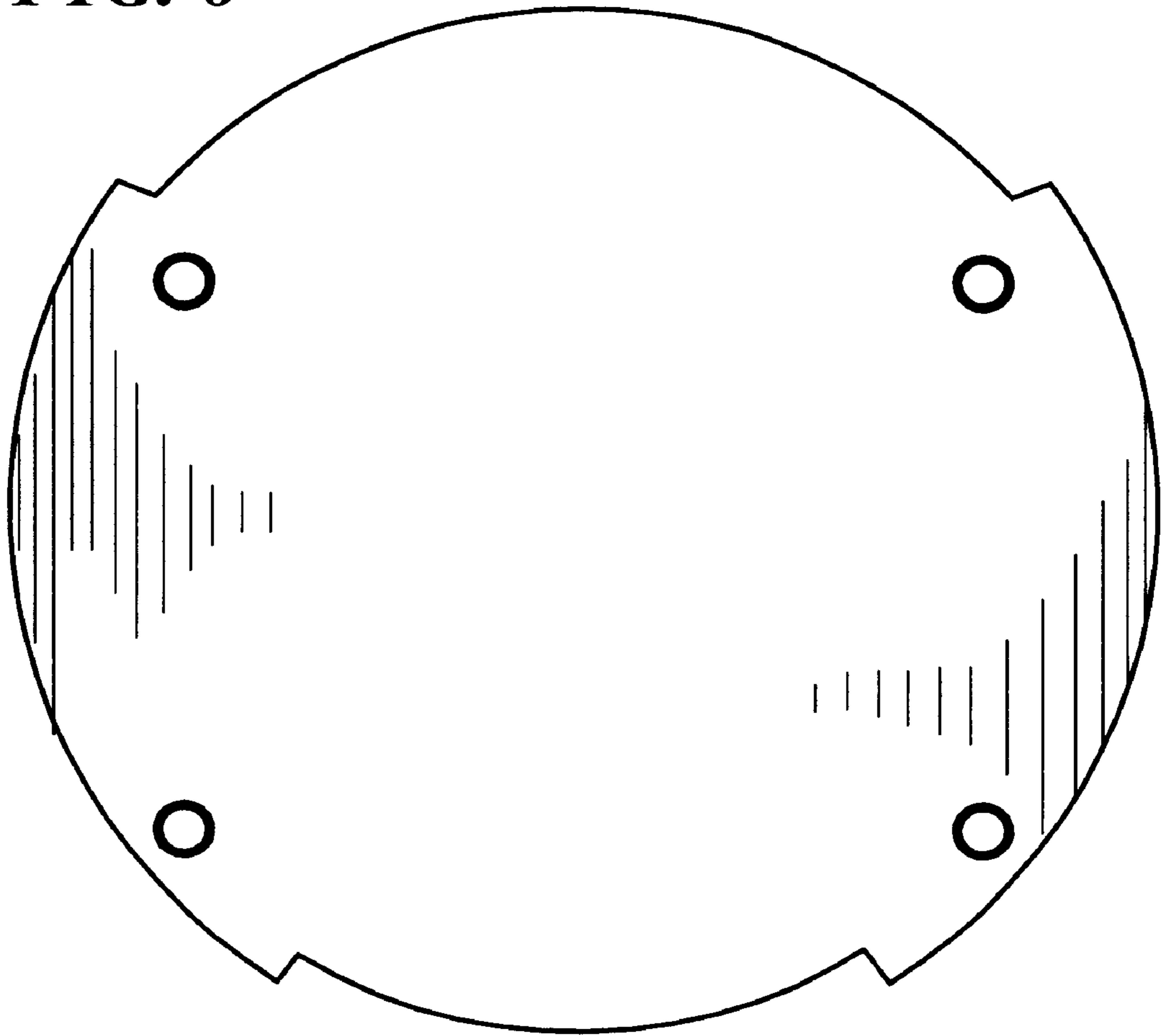


FIG. 7

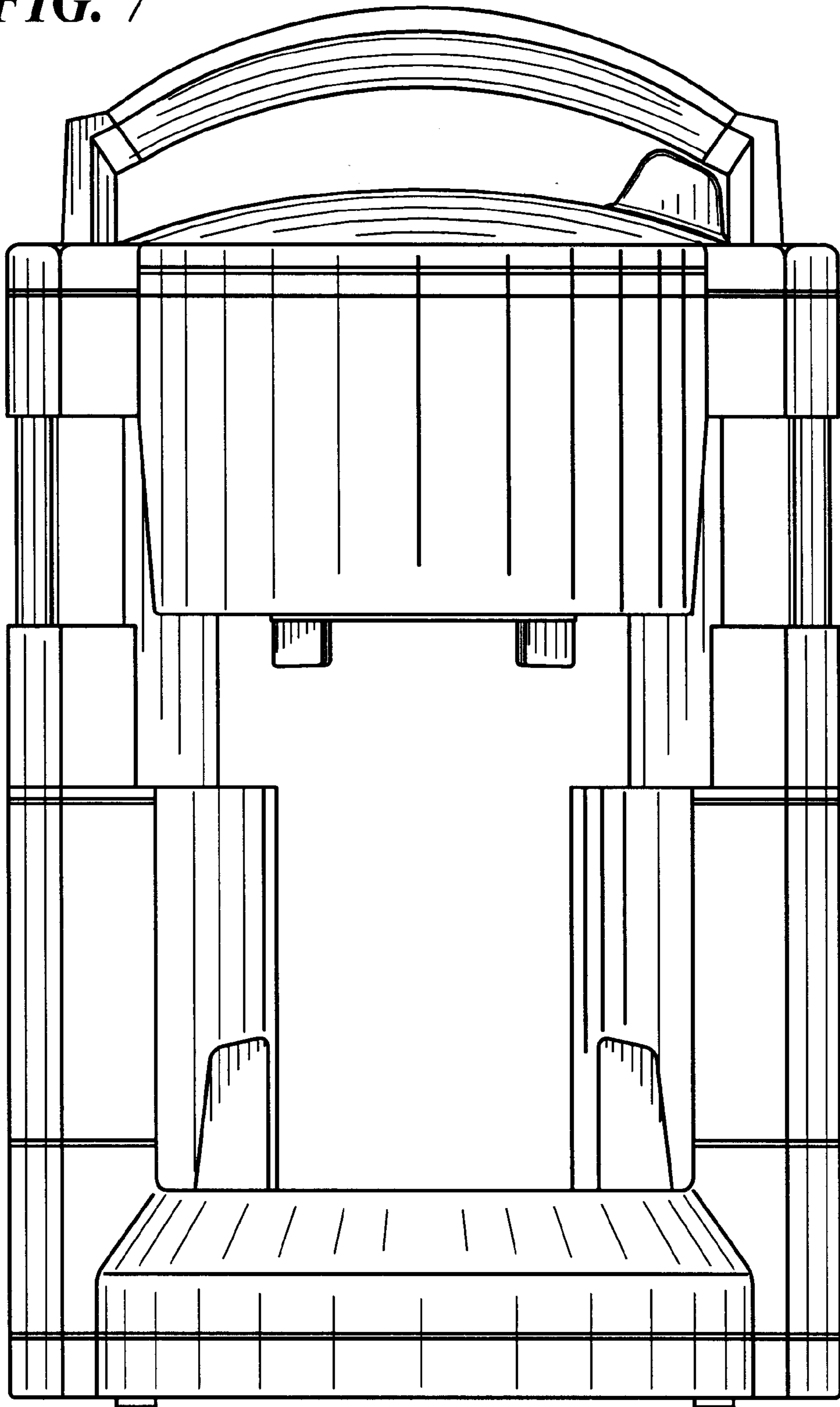


FIG. 8

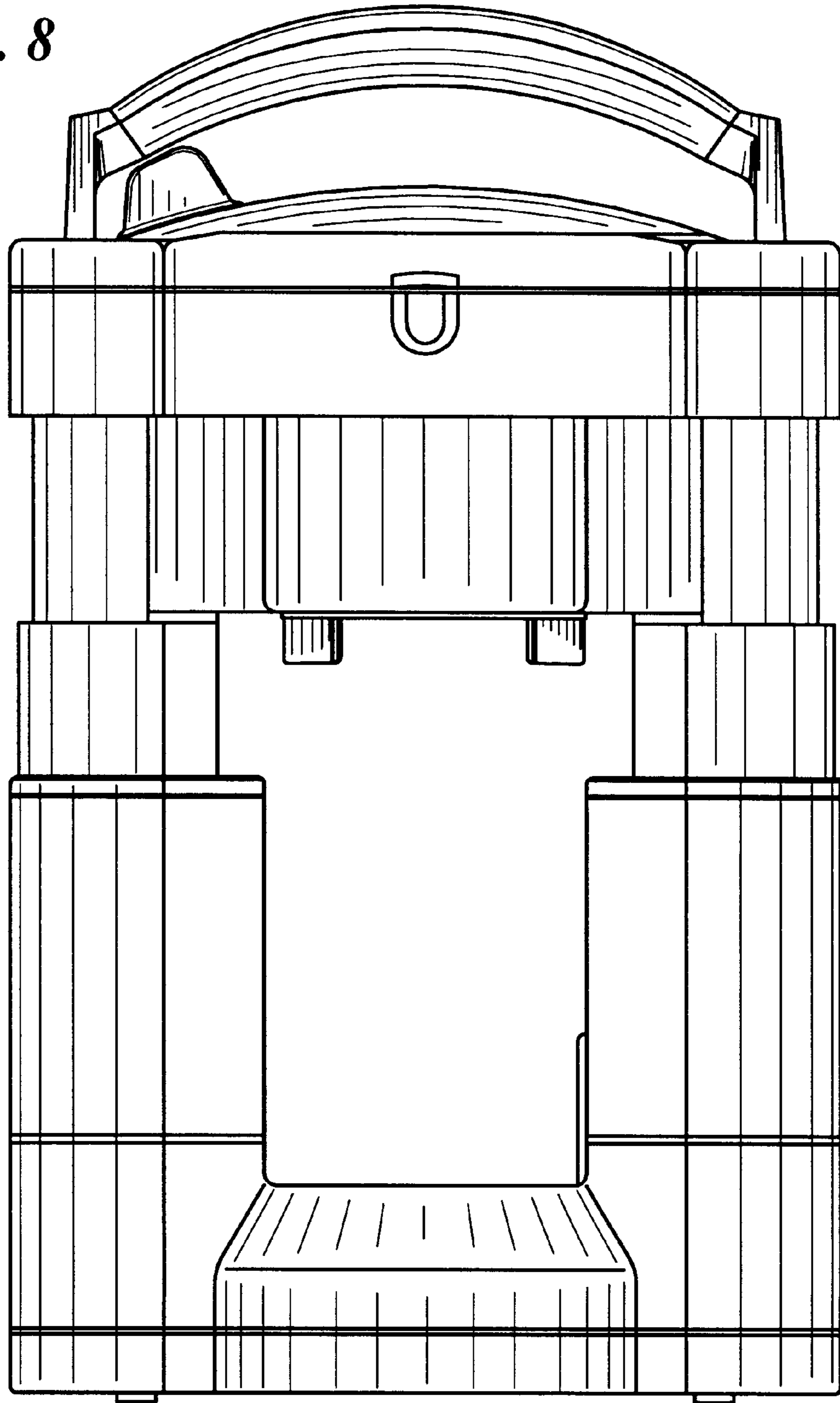


FIG. 9

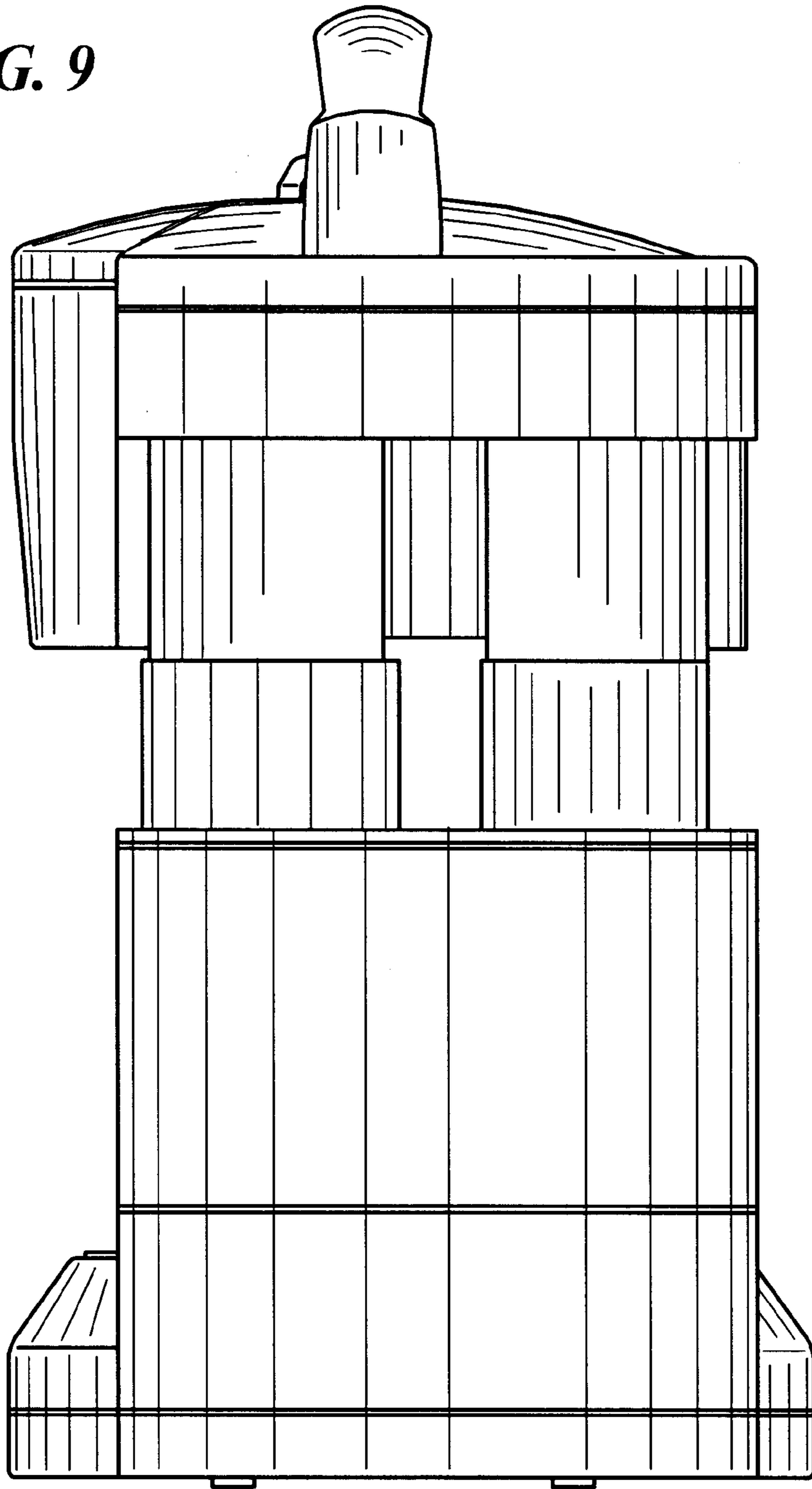


FIG. 10

