



US00D484011S

(12) **United States Design Patent**
Strobel et al.

(10) **Patent No.:** **US D484,011 S**

(45) **Date of Patent:** **** Dec. 23, 2003**

(54) **BEVERAGE CARRIER**

(75) Inventors: **Scott G. Strobel**, Plymouth, CT (US);
George M. Borrello, Williamsville, NY (US)

(73) Assignee: **Progressive Speciality Glass Co., Inc.**,
Southington, CT (US)

(**) Term: **14 Years**

(21) Appl. No.: **29/173,800**

(22) Filed: **Jan. 7, 2003**

(51) **LOC (7) Cl.** **07-06**

(52) **U.S. Cl.** **D7/706; D3/309**

(58) **Field of Search** D7/701, 705-708;
D3/307-309, 310, 315; 206/193-203; 229/117.12,
117.15; D9/341, 433

(56) **References Cited**

U.S. PATENT DOCUMENTS

2,362,990 A * 11/1944 Crane 229/117.15
2,728,485 A * 12/1955 Howard 229/117.14

2,740,517 A * 4/1956 Evans D3/309
D192,756 S * 5/1962 Hodgman D3/309
3,056,528 A * 10/1962 Shiels, Jr. 229/117.12
D259,099 S * 5/1981 Davis D3/309
D386,616 S * 11/1997 Nimer D3/308

* cited by examiner

Primary Examiner—Terry A. Wallace

(74) *Attorney, Agent, or Firm*—W. Scott Carson

(57) **CLAIM**

The ornamental design for a beverage carrier, as shown and described.

DESCRIPTION

FIG. 1 is a perspective view of a beverage carrier showing our new design.

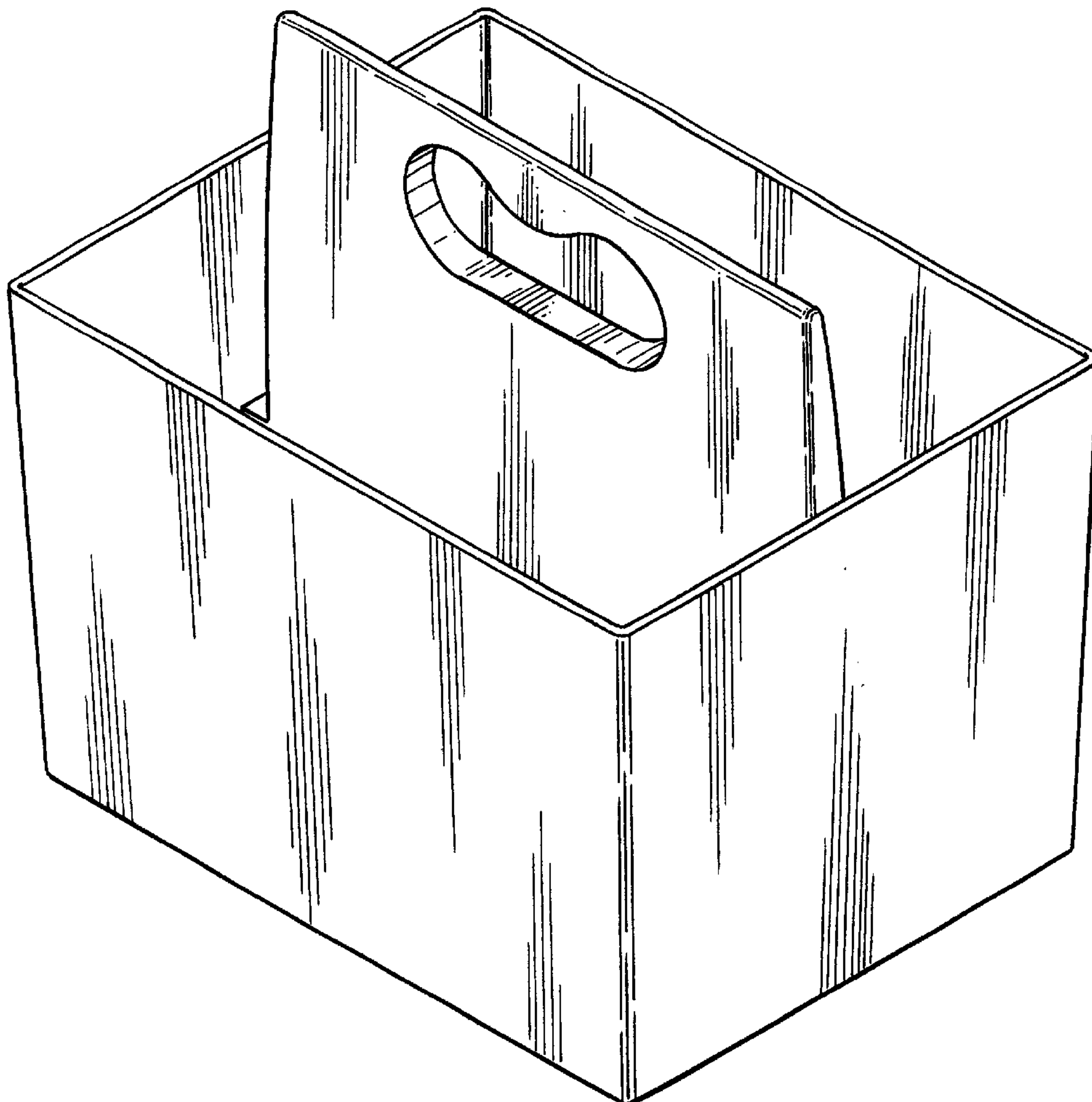
FIG. 2 is a top plan view thereof.

FIG. 3 is a front elevational view thereof, the rear elevational view being identical thereto.

FIG. 4 is a right side elevational view thereof, the left side elevational view being identical thereto; and,

FIG. 5 is a bottom plan view thereof.

1 Claim, 3 Drawing Sheets



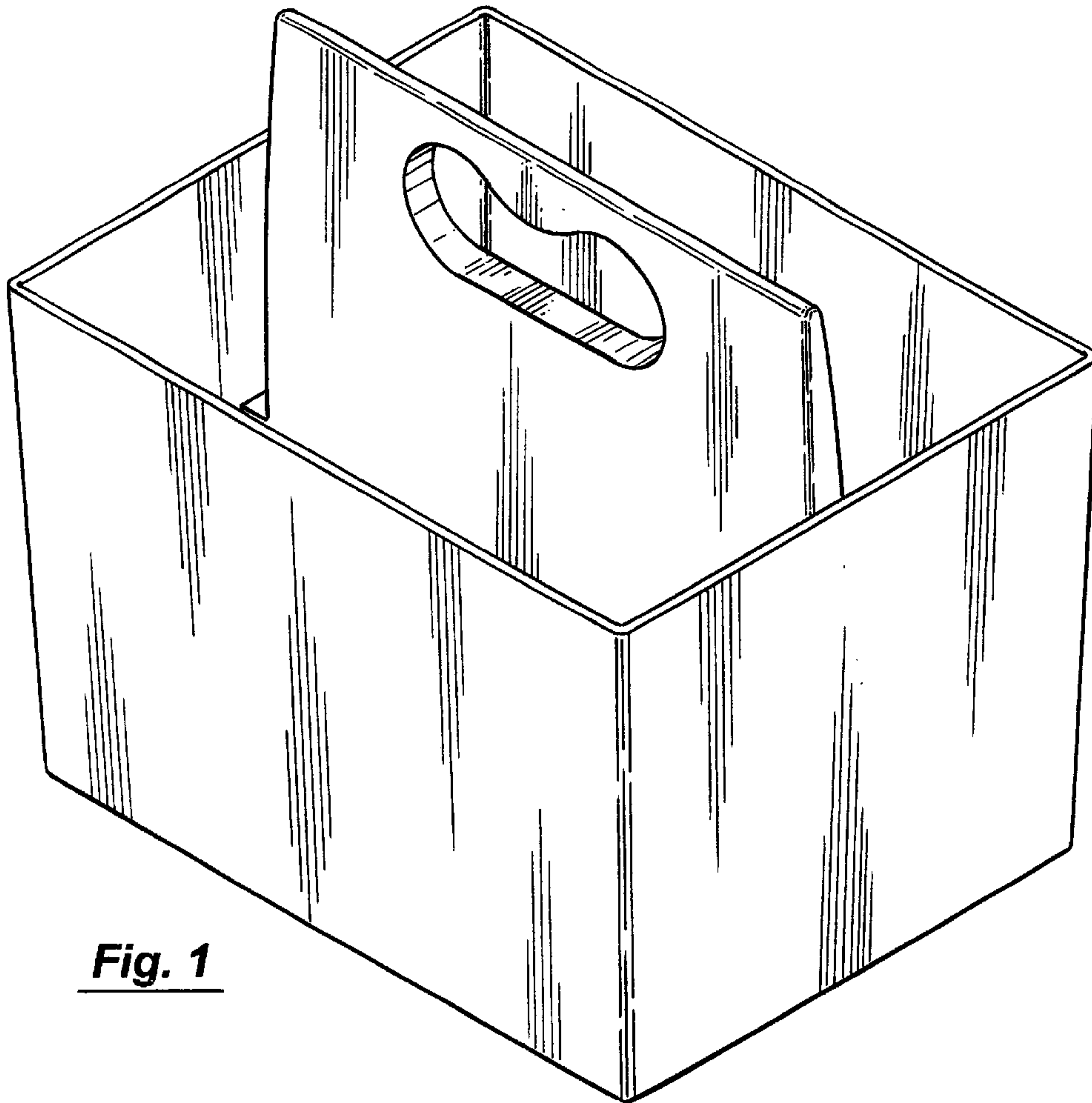


Fig. 1

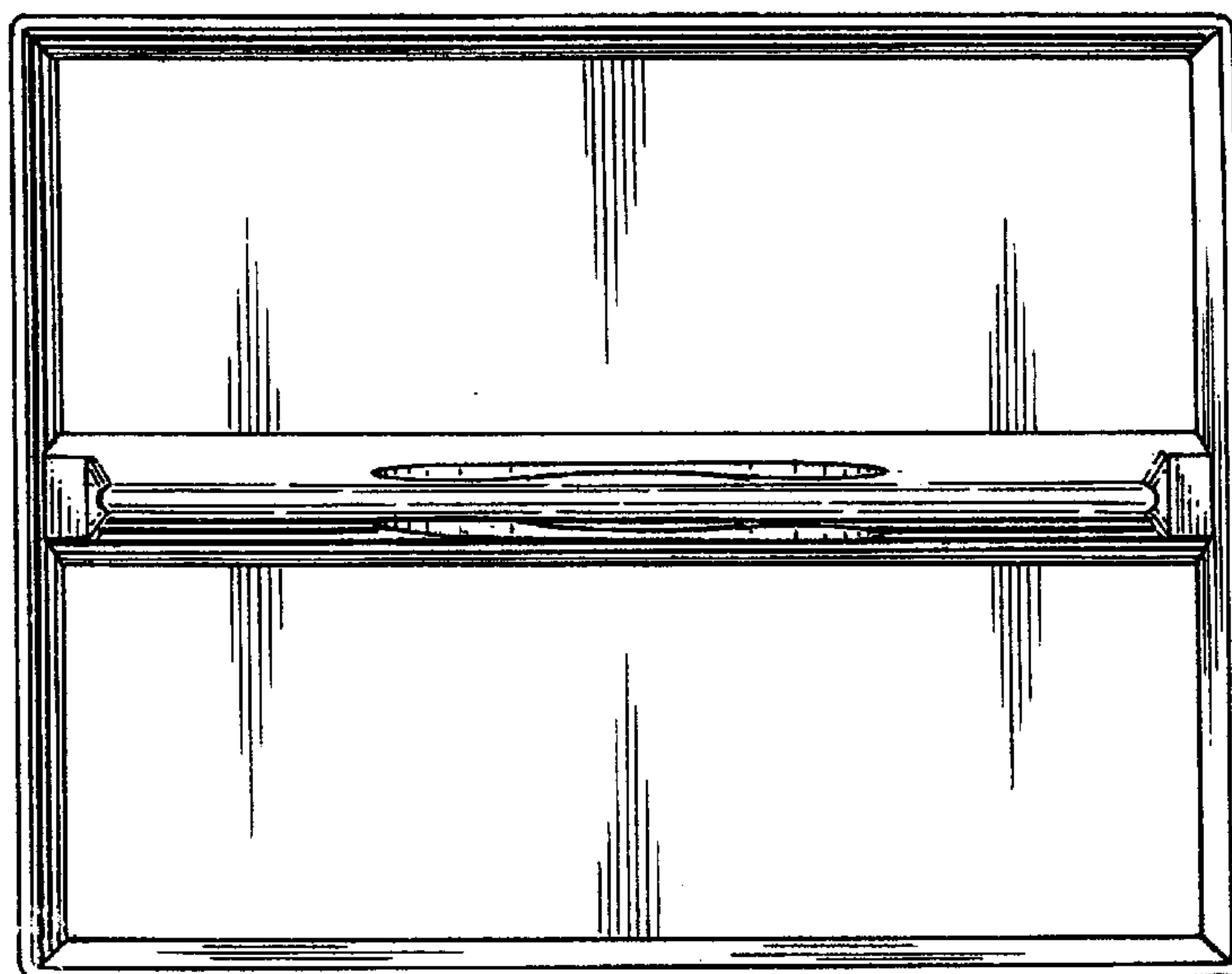


Fig. 2

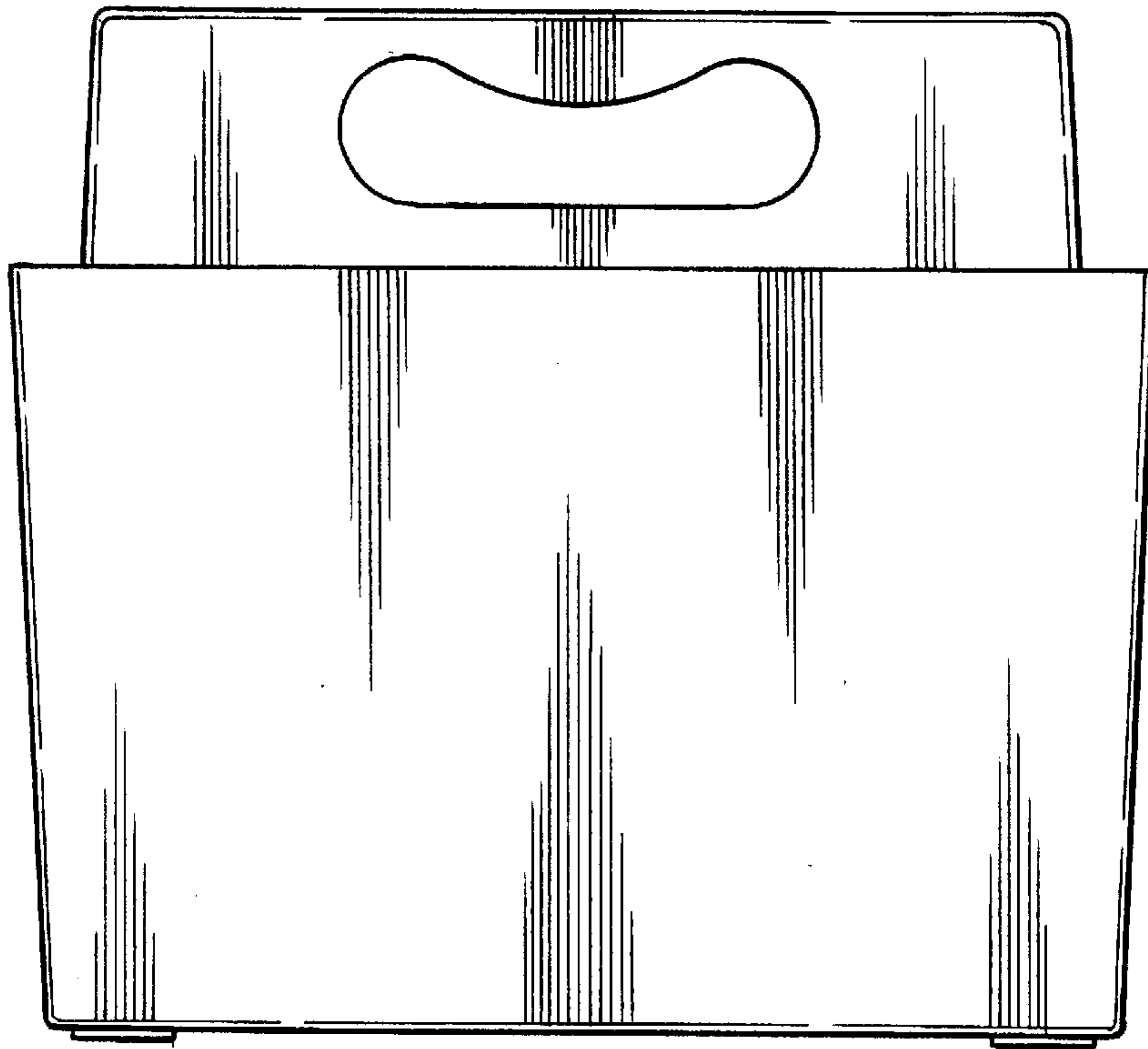


Fig. 3

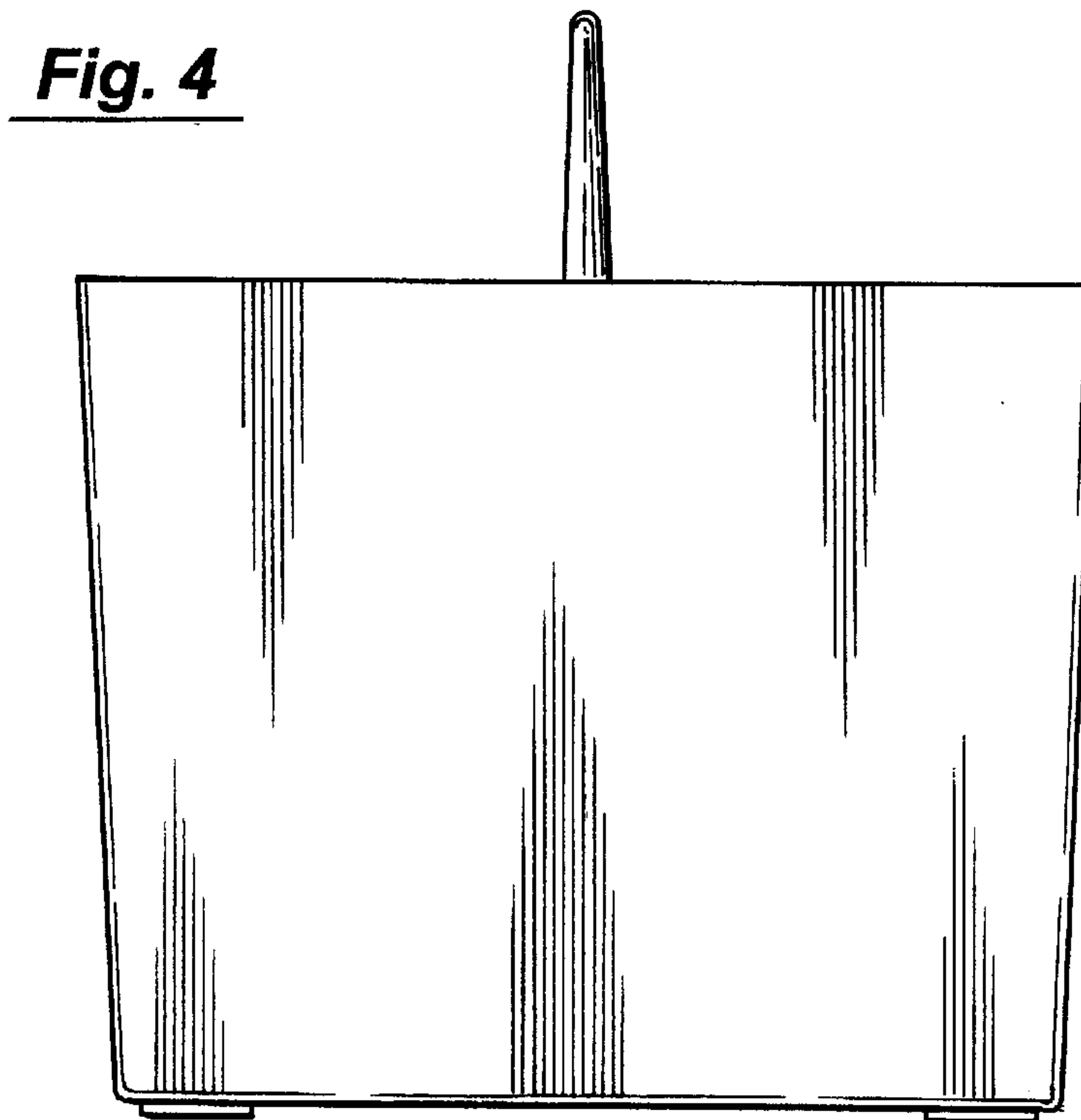


Fig. 4

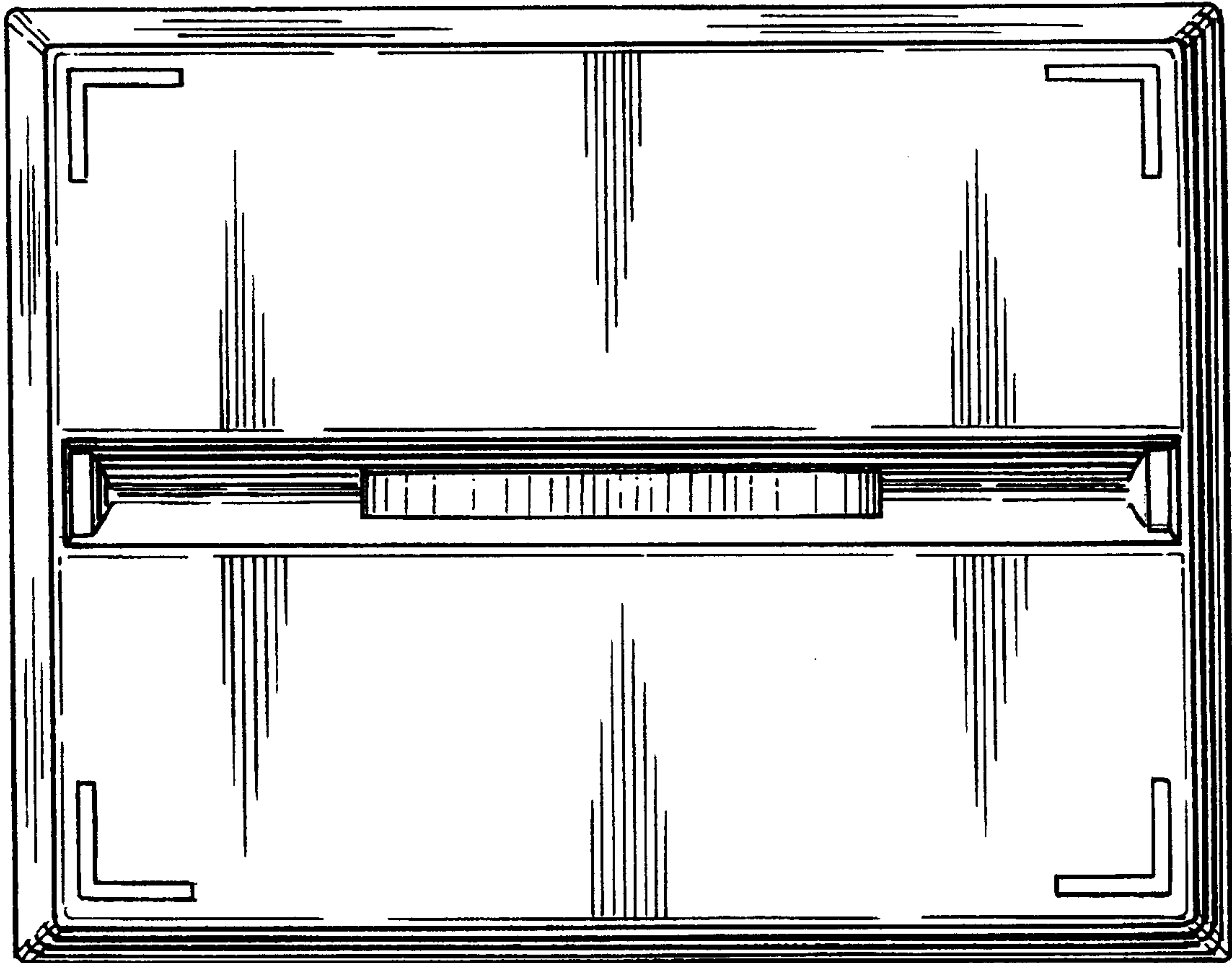


Fig. 5