



US00D484010S

(12) **United States Design Patent**
Glucksman et al.

(10) **Patent No.:** **US D484,010 S**

(45) **Date of Patent:** **** Dec. 23, 2003**

(54) **COMBINED POWER DOUGH AND FOOD MATERIALS PRESS**

(75) Inventors: **Dov Z. Glucksman**, Wenham, MA (US); **Laura J. Nickerson**, Andover, MA (US)

(73) Assignee: **BonJour, Incorporated**, Pacheco, CA (US)

(**) Term: **14 Years**

(21) Appl. No.: **29/174,081**

(22) Filed: **Jan. 9, 2003**

(51) **LOC (7) Cl.** **07-04**

(52) **U.S. Cl.** **D7/672**

(58) **Field of Search** D7/665, 669, 672, D7/674; D8/14.1; 425/87, 183, 190-192 S, 376.1; 222/256, 257, 260, 325-327, 333, 390, 386, 391, 392

(56) **References Cited**

U.S. PATENT DOCUMENTS

4,024,994 A	5/1977	Davis, Jr.	
4,083,666 A	4/1978	Richardson	
4,171,072 A	10/1979	Davis, Jr.	
4,249,677 A	2/1981	Davis, Jr.	
4,264,021 A	4/1981	Davis, Jr.	
4,273,269 A	6/1981	Davis, Jr.	
4,569,815 A	2/1986	Rentz et al.	
D309,697 S	* 8/1990	So D7/672
5,558,892 A	9/1996	Pelka et al.	
6,386,854 B1	5/2002	Guss	

OTHER PUBLICATIONS

Hamilton Beach. Printout from CelebrityShopSmart.com website providing picture of a Hamilton Beach 80000 Super Shooter Cookie Press, available at <<http://celebrityshopsmart.com/celebritycookware/80000.html>> on Mar. 20, 2003. One page total.

Salton. Printout from eSalton.com website providing picture of a Salton Electric Cookie Press, available at <<http://http://www.esalton.com/store/application?namespace=esalton_main&origin=itemssummary.jsp&event=link.details&wlcs_catalog_item_sku=CKM25&wlcs_catalog_category_id=4&wlcs_document_type=details&com.bea.event.type%3Dcom.bea.product.click.event%26com.bea.event.userid%3Dnull%26com.bea.event.documentid%3DSALTON+ELECTRIC+COOKIE+PRESS%26com.bea.event.document-type%3Dnull%26com.bea.event.sku%3DCKM25>> on Mar. 20, 2003. One page total.

* cited by examiner

Primary Examiner—Terry A. Wallace

(74) *Attorney, Agent, or Firm*—Morrison & Foerster LLP

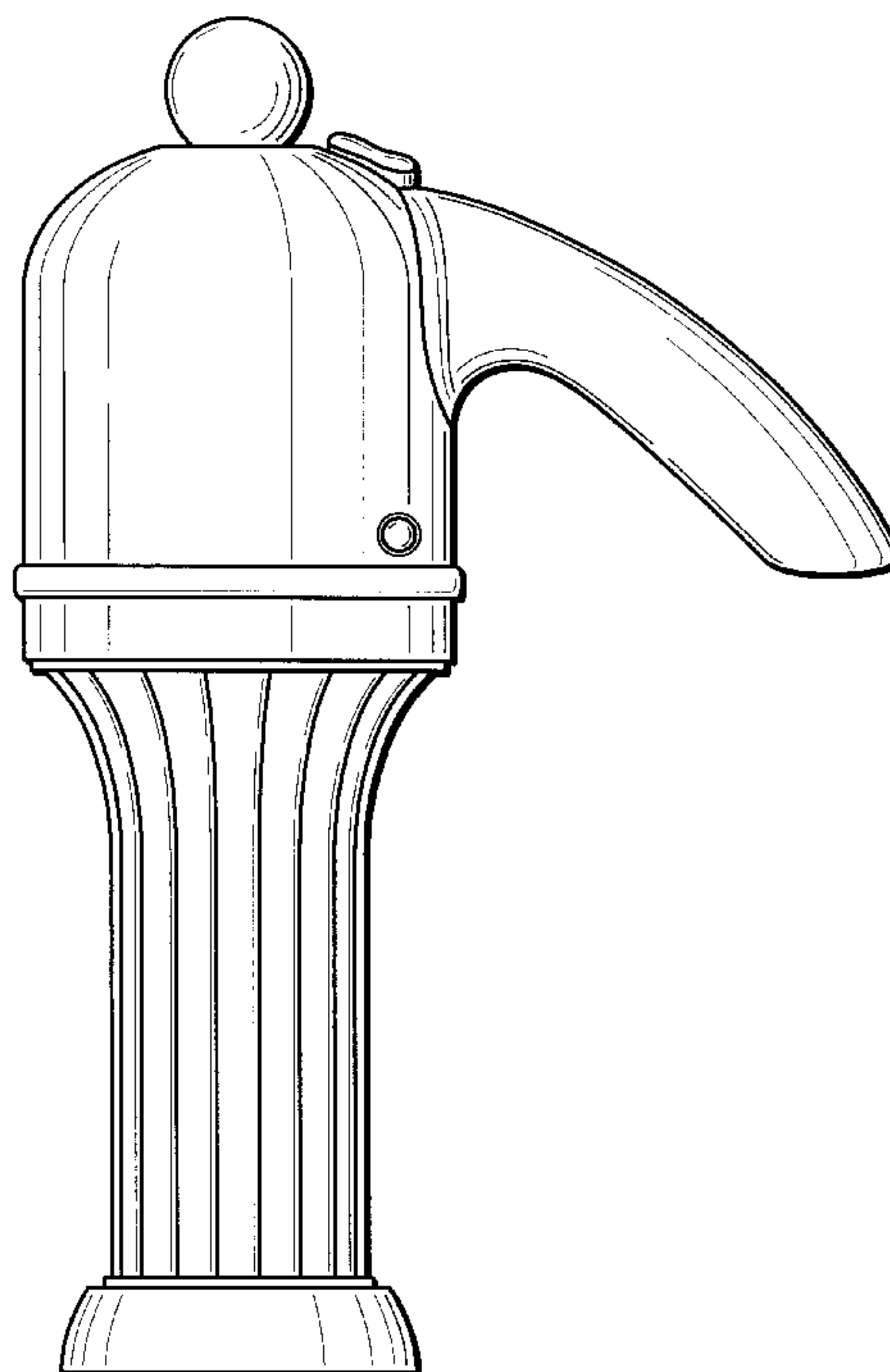
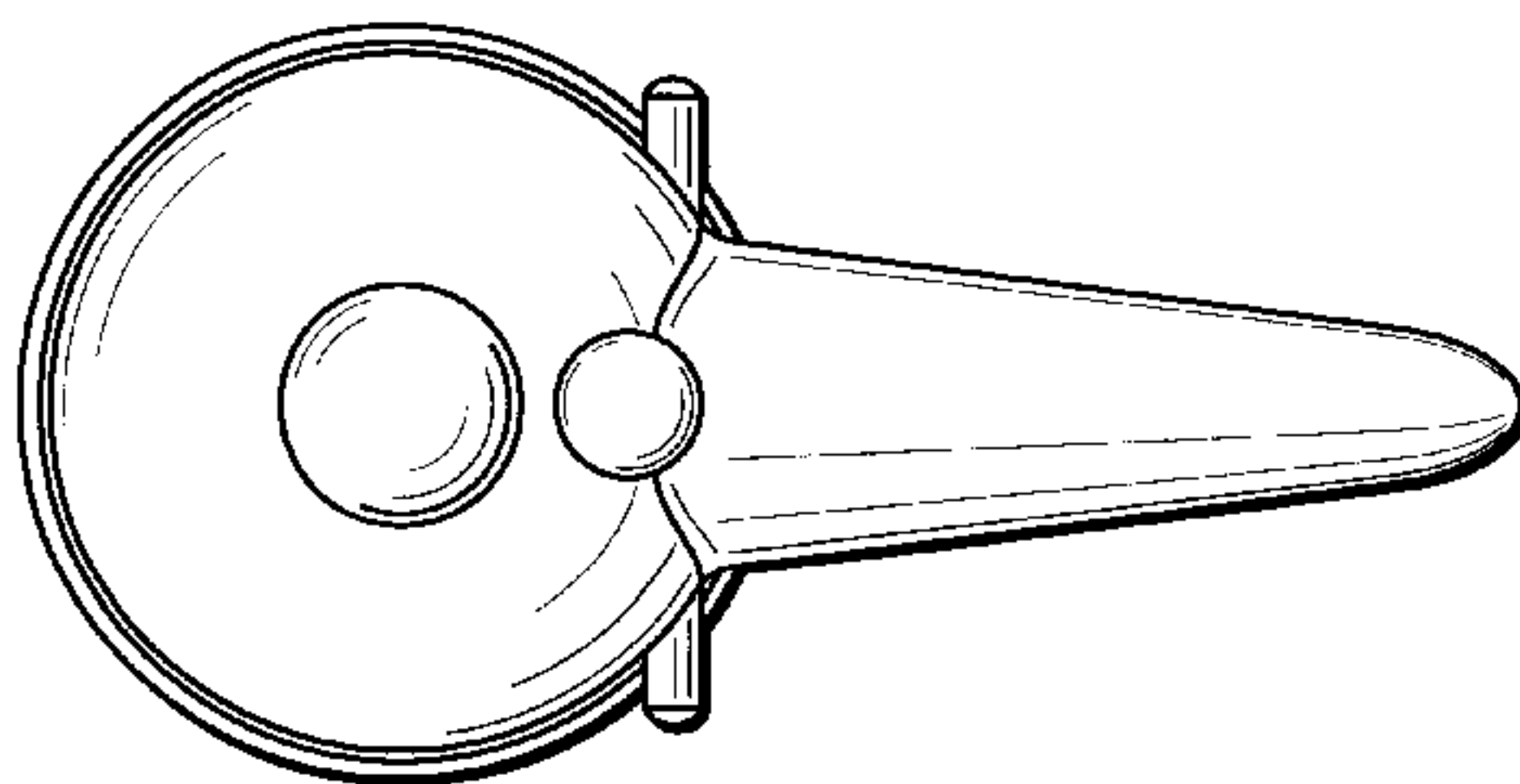
(57) **CLAIM**

The ornamental design for the combined power dough and food materials press, as shown and described.

DESCRIPTION

FIG. 1 is a top plan view of the design.
FIG. 2 is a rear elevation view of the design.
FIG. 3 is a right side elevation view of the design.
FIG. 4 is a front elevation view of the design.
FIG. 5 is a left side elevation view of the design; and,
FIG. 6 is a bottom plan view of the design.

1 Claim, 2 Drawing Sheets



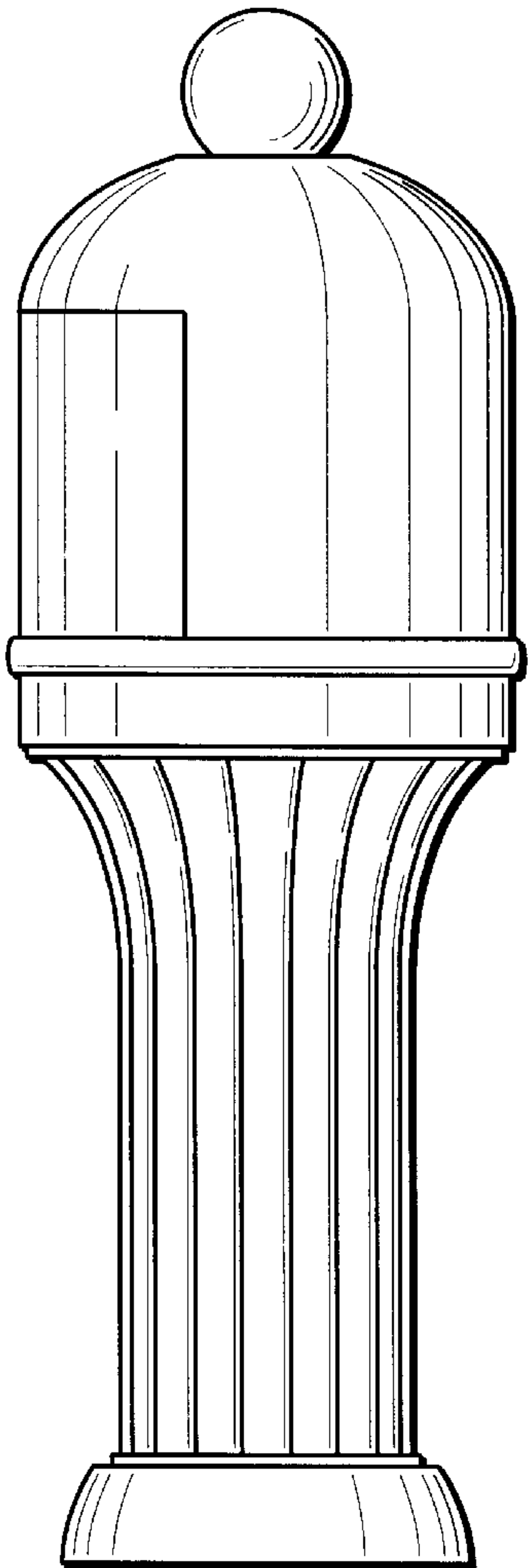


FIG._2

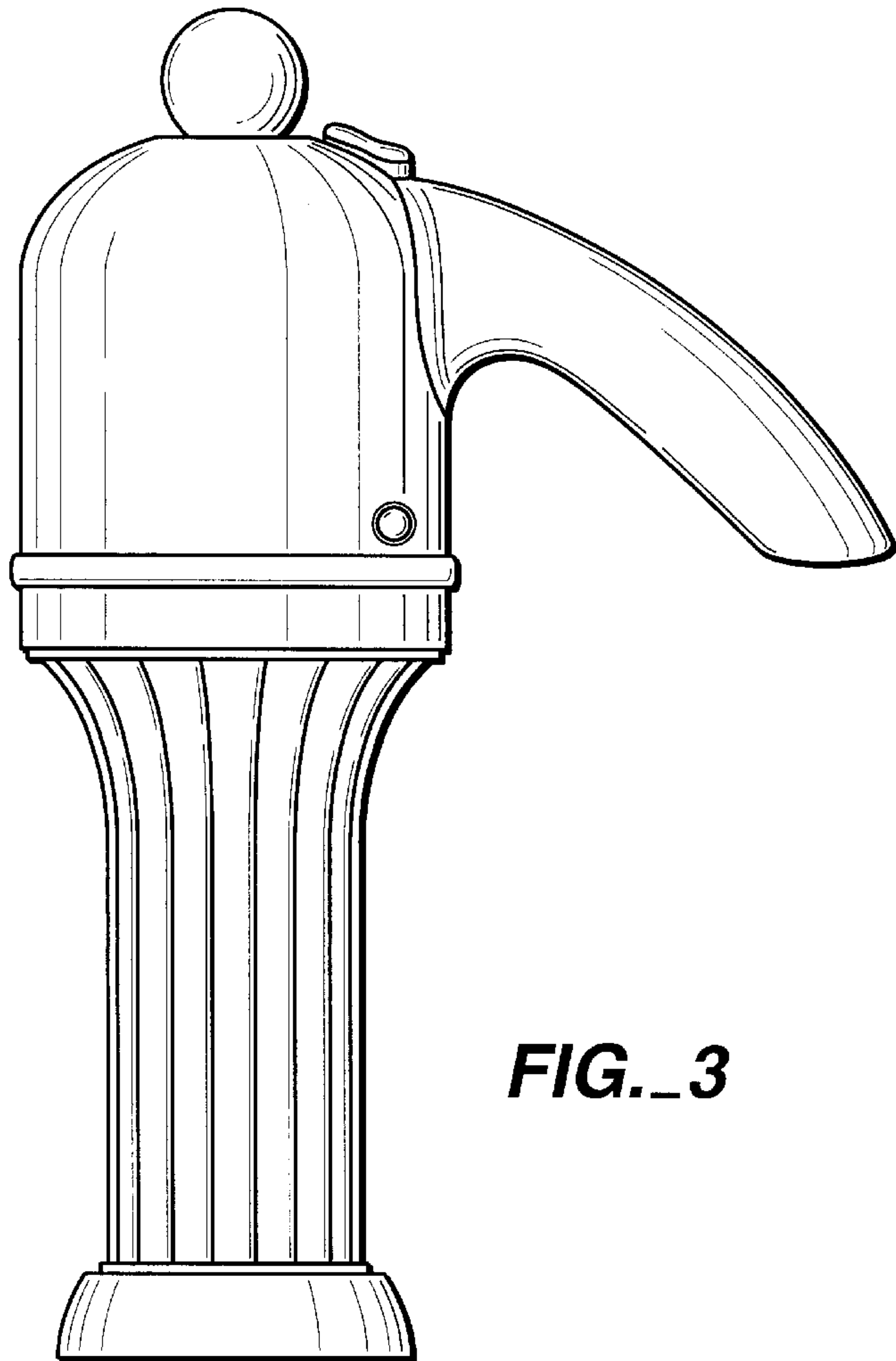


FIG._3

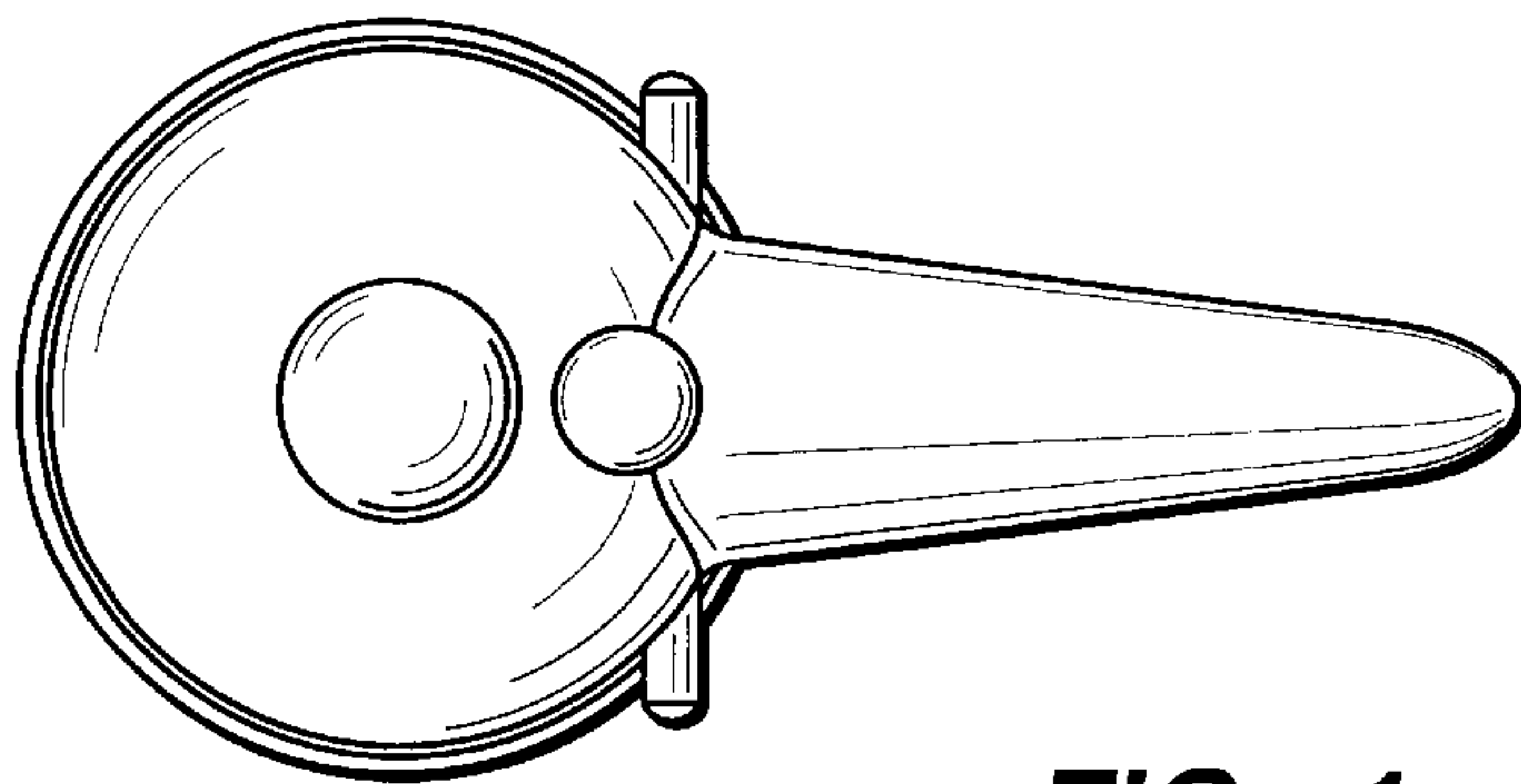


FIG._1

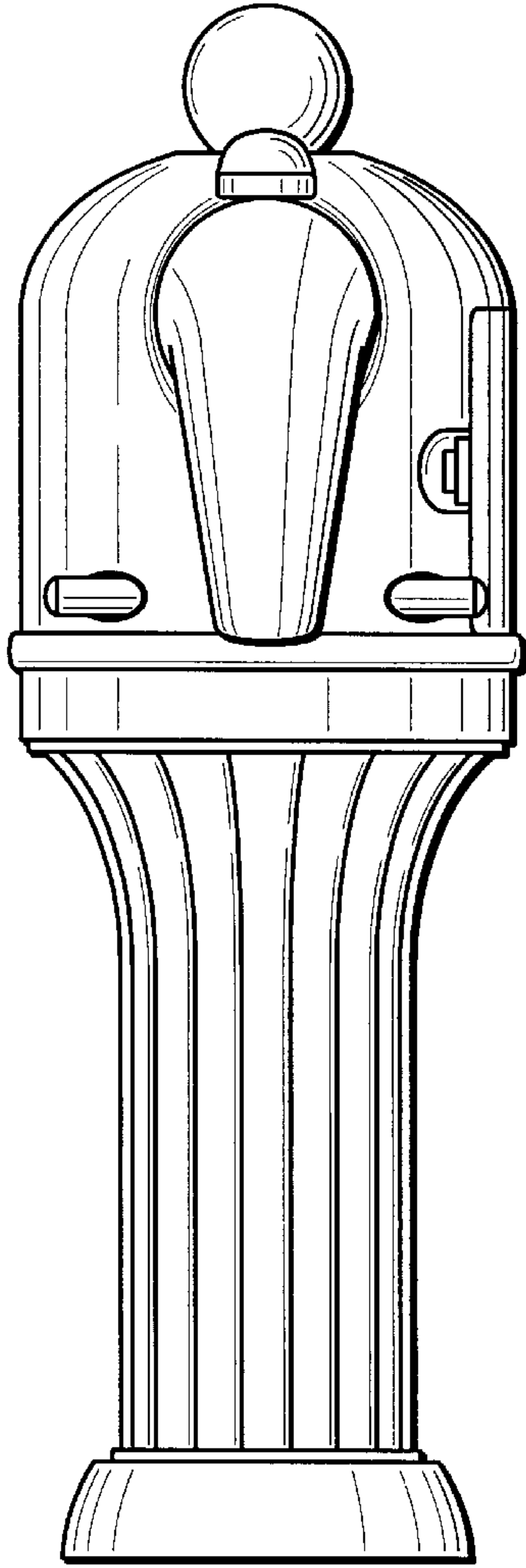


FIG._4

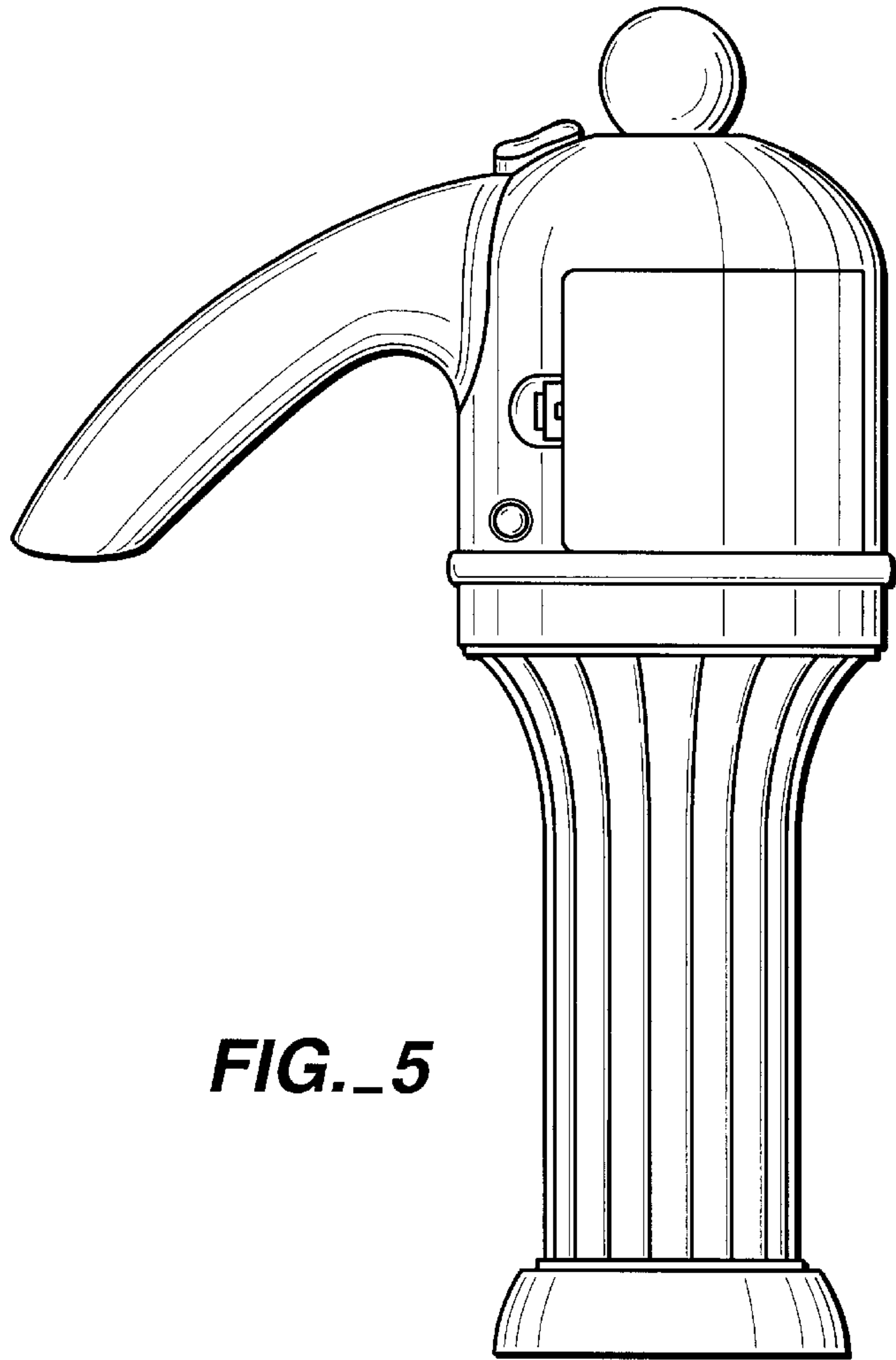


FIG._5

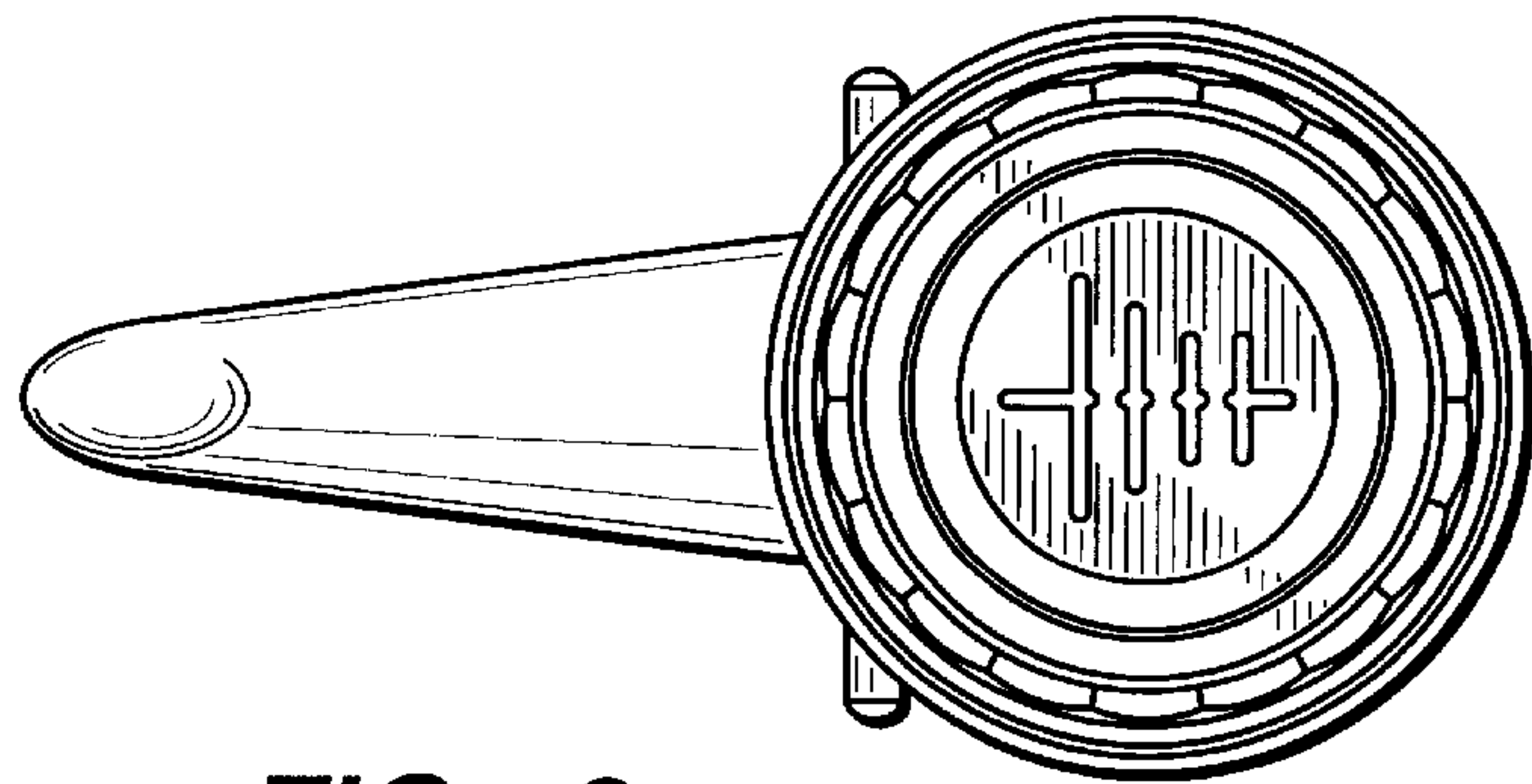


FIG._6