



US00D484007S

(12) **United States Design Patent**
Levien

(10) **Patent No.:** **US D484,007 S**

(45) **Date of Patent:** **** Dec. 23, 2003**

(54) **CHEESE BOARD**

D322,013 S * 12/1991 Daenen et al. D7/542

D372,641 S * 8/1996 Betend-Bon D7/629

D447,688 S * 9/2001 Jalet et al. D7/629

(75) Inventor: **Robin Levien**, London (GB)

(73) Assignee: **Fratelli Guzzini S.p.A.**,
Recanati-Macerata (IT)

* cited by examiner

(**) Term: **14 Years**

Primary Examiner—Terry A. Wallace

(74) *Attorney, Agent, or Firm*—Hedman & Costigan, P.C.

(21) Appl. No.: **29/172,306**

(22) Filed: **Dec. 10, 2002**

(30) **Foreign Application Priority Data**

Jun. 14, 2002 (IT) MI200200412

(51) **LOC (7) Cl.** **07-01**

(52) **U.S. Cl.** **D7/629**

(58) **Field of Search** D7/610, 629, 502,
D7/538-542; D9/424, 430, 431; 220/780-788,
792-799, 669-675, 4.21; 206/467, 508,
519

(57) **CLAIM**

The ornamental design for a cheese board, as shown and described.

DESCRIPTION

FIG. 1 is a perspective view of a cheese board, showing my new design;

FIG. 2 is a front view thereof;

FIG. 3 is a side view thereof; and,

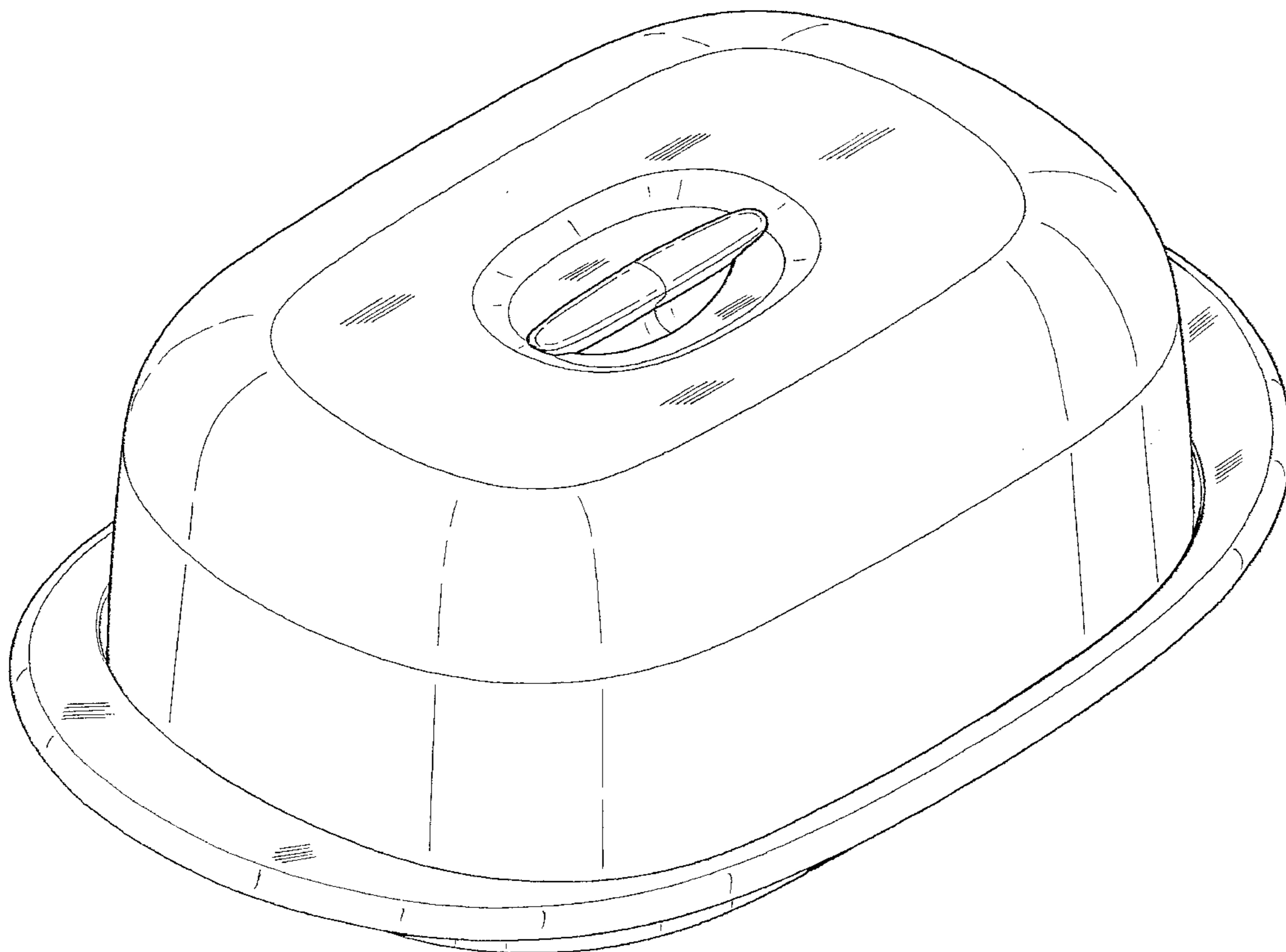
FIG. 4 is a top view thereof.

(56) **References Cited**

U.S. PATENT DOCUMENTS

3,863,833 A * 2/1975 Swett et al. 220/4.21

1 Claim, 4 Drawing Sheets



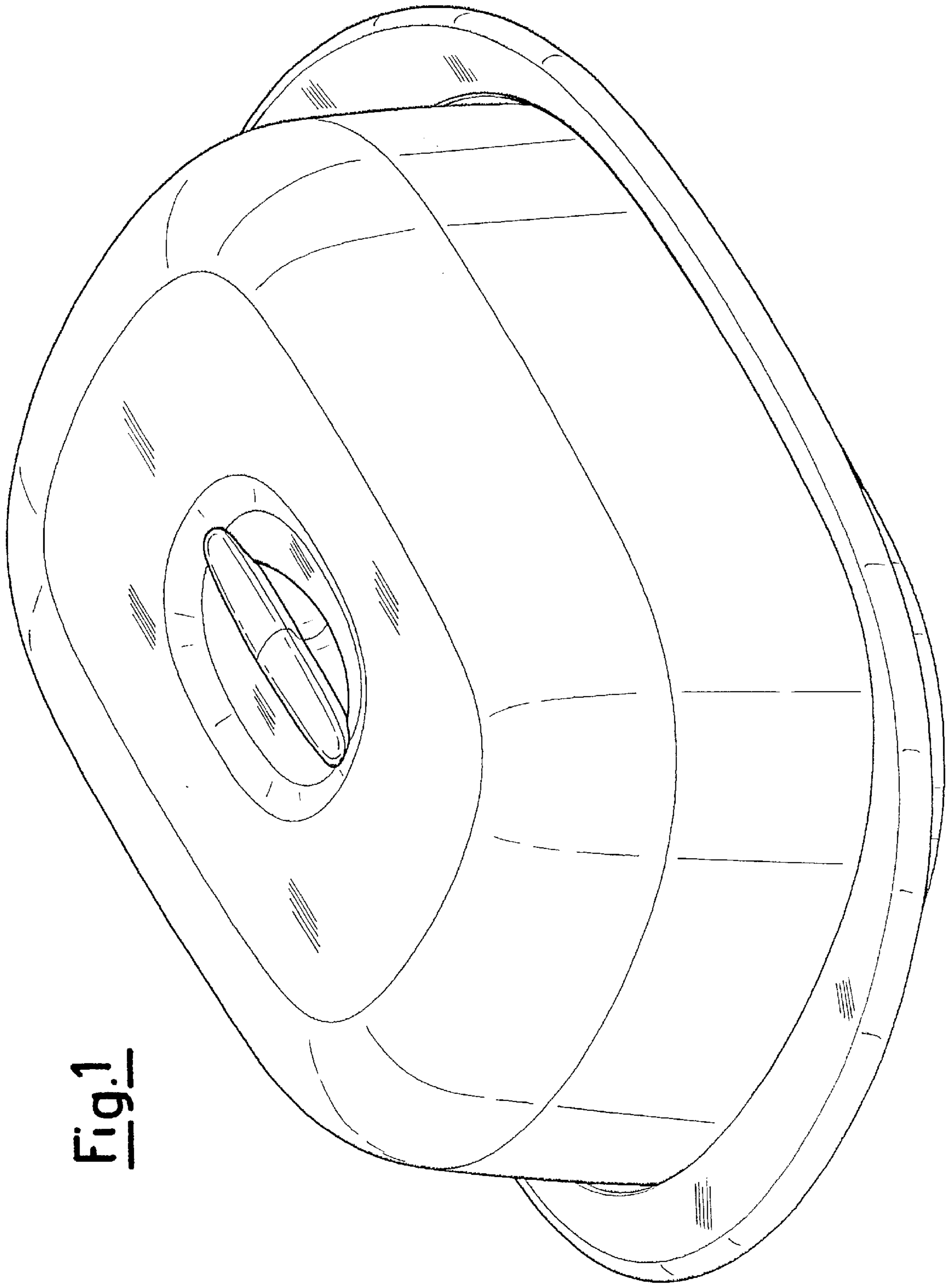


Fig. 1

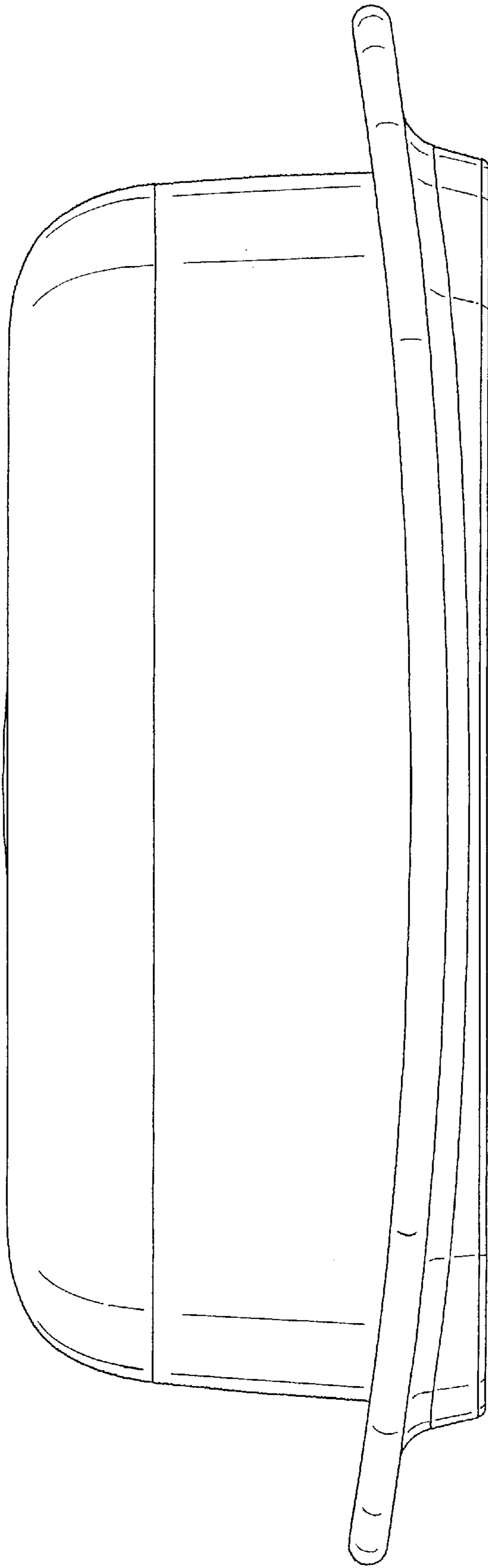


Fig. 2

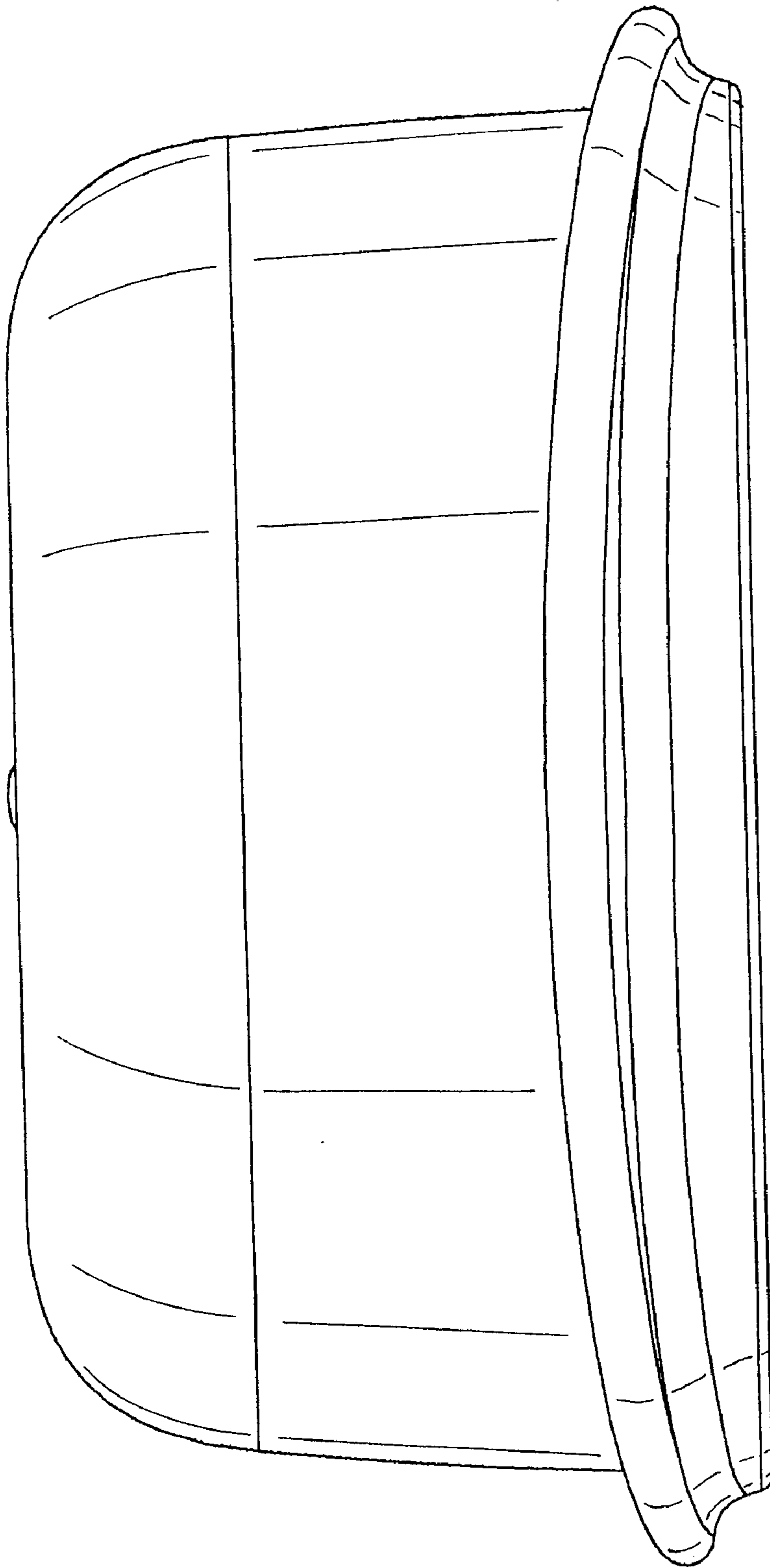


Fig. 3

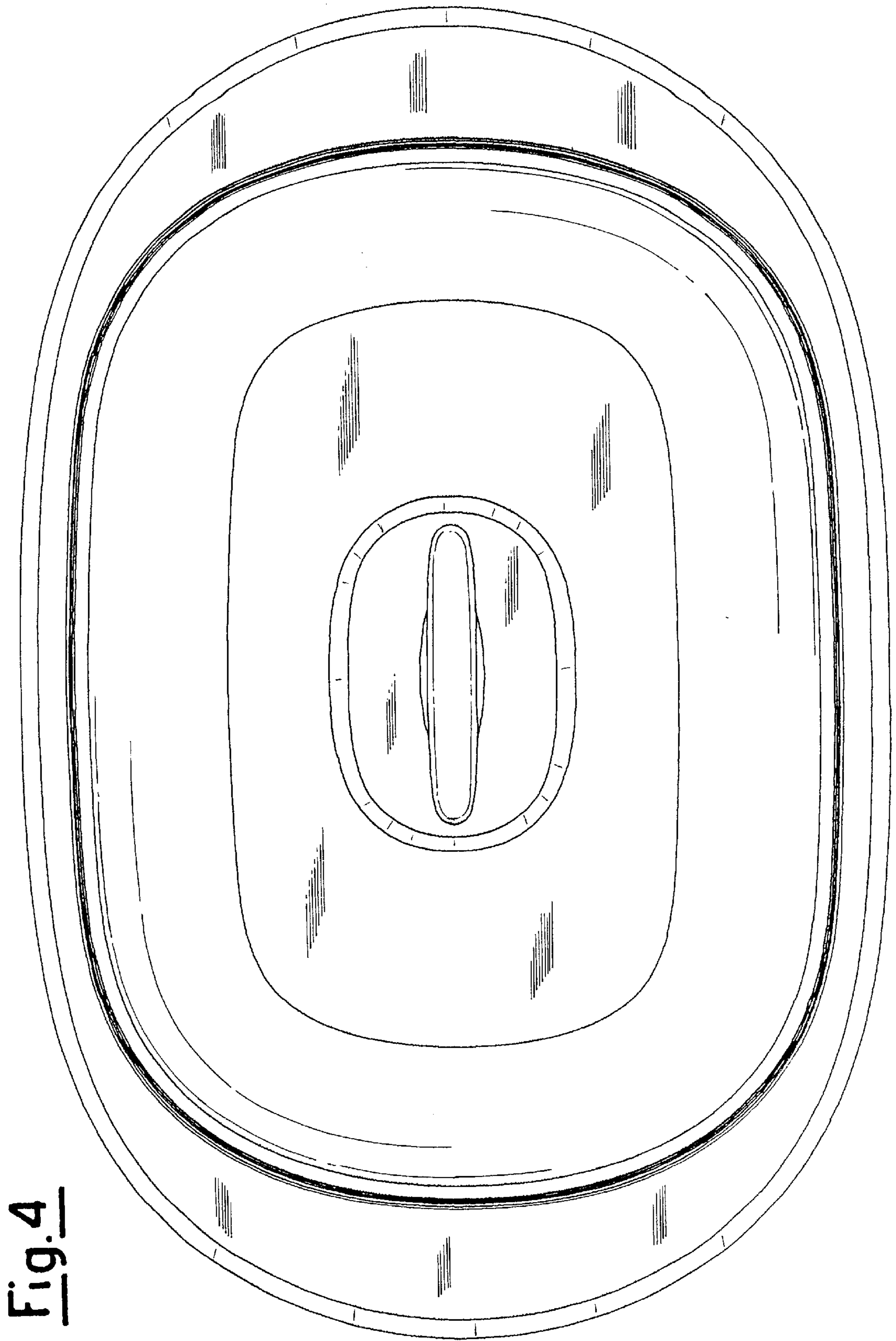


Fig. 4