



US00D484006S

(12) **United States Design Patent**  
**Liu**

(10) **Patent No.:** **US D484,006 S**

(45) **Date of Patent:** **\*\* Dec. 23, 2003**

(54) **SEALABLE CONTAINER**

D447,011 S \* 8/2001 Liu ..... D7/615

(76) Inventor: **Wen-Yuan Liu**, P.O. Box 90, Tainan City (TW)

\* cited by examiner

*Primary Examiner*—Terry A. Wallace

(\*\*) Term: **14 Years**

(57) **CLAIM**

(21) Appl. No.: **29/174,748**

The ornamental design for a sealable container, as shown and described.

(22) Filed: **Jan. 24, 2003**

(51) **LOC (7) Cl.** ..... **07-01**

(52) **U.S. Cl.** ..... **D7/615; D7/629**

(58) **Field of Search** ..... D7/612–615, 602, D7/629; D9/516, 529, 551; 220/314, 315, 321, 324, 845; 292/256, 256.5, 285, 286

**DESCRIPTION**

FIG. 1 is a perspective view of a sealable container showing my design;

FIG. 2 is a front elevational view thereof;

FIG. 3 is a rear elevational view thereof;

FIG. 4 is a left side elevational view thereof;

FIG. 5 is a right side elevational view thereof;

FIG. 6 is a top plan view thereof; and,

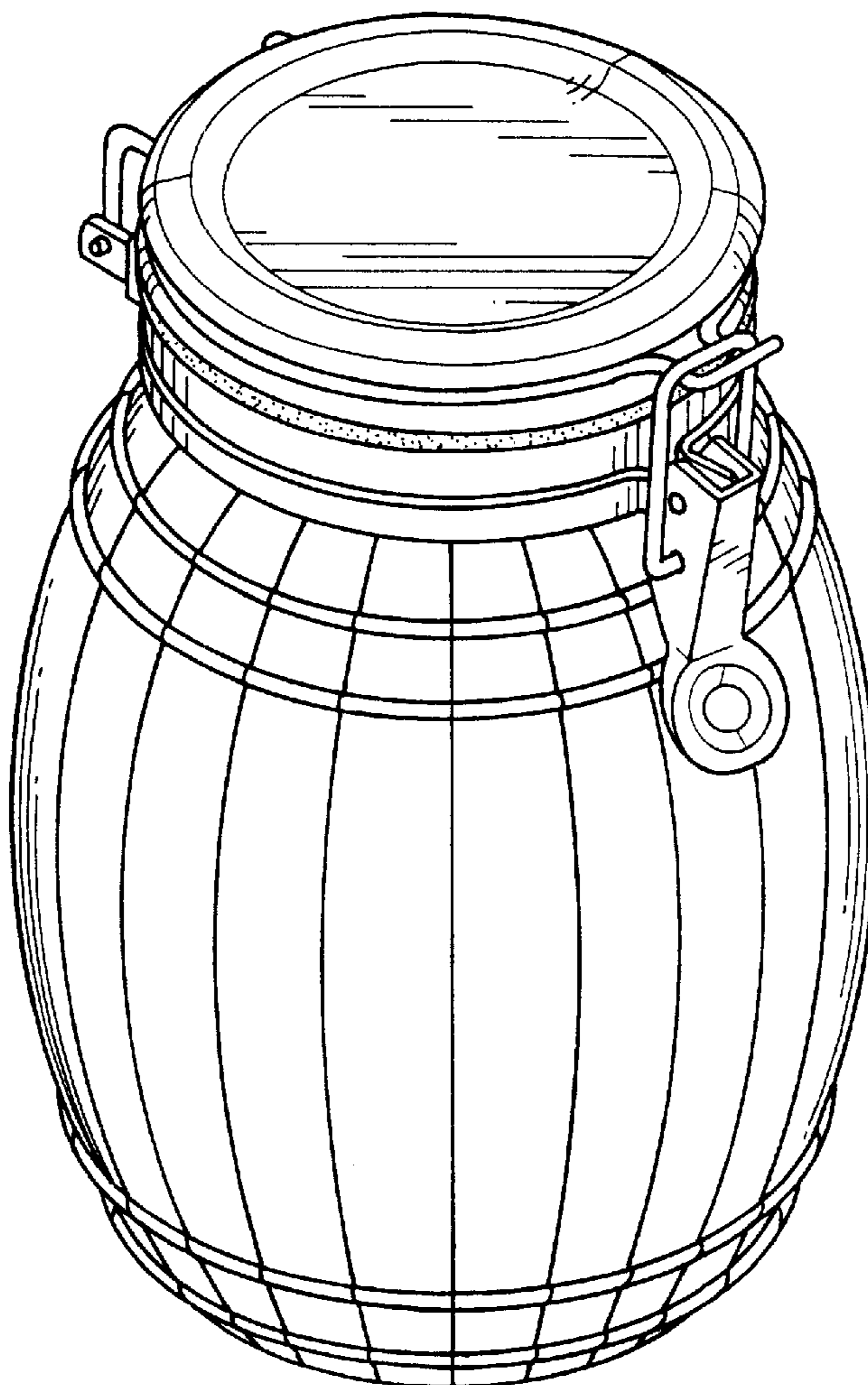
FIG. 7 is a bottom plan view thereof.

(56) **References Cited**

**U.S. PATENT DOCUMENTS**

D74,894 S \* 4/1928 Onthank ..... D9/529  
D376,958 S \* 12/1996 Blanc ..... D7/612  
D381,872 S \* 8/1997 Lin ..... D7/612

**1 Claim, 6 Drawing Sheets**



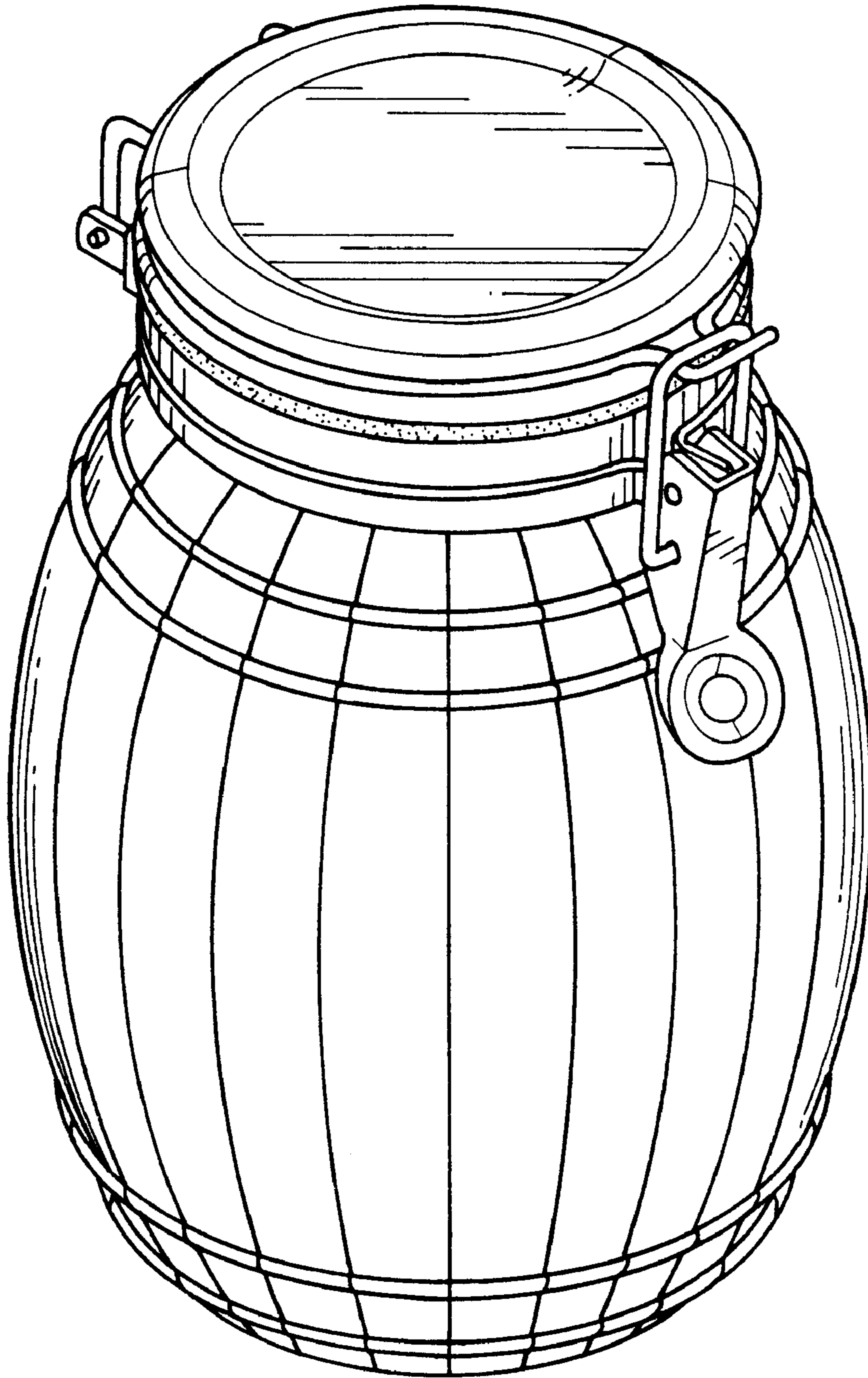


FIG. 1

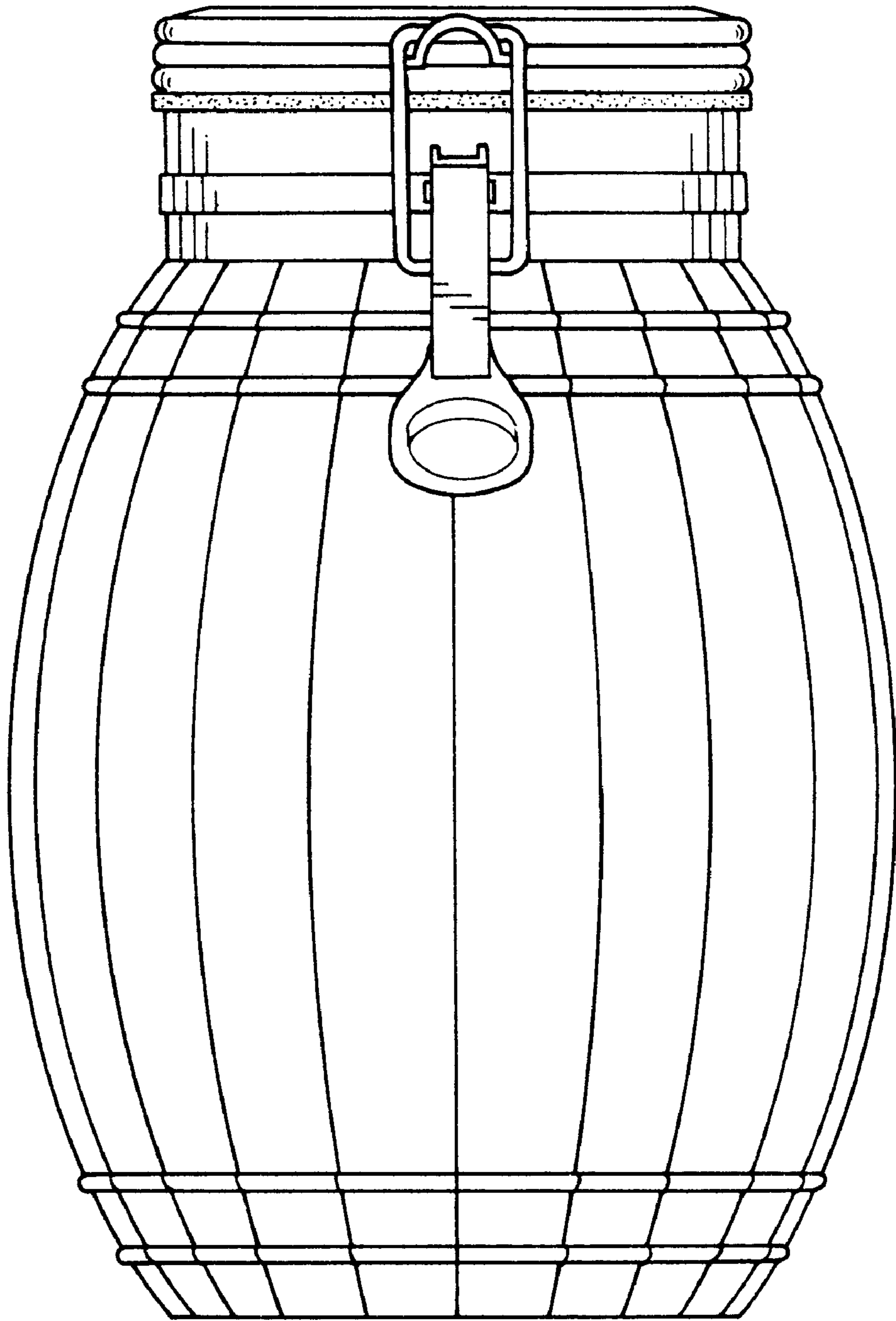


FIG.2

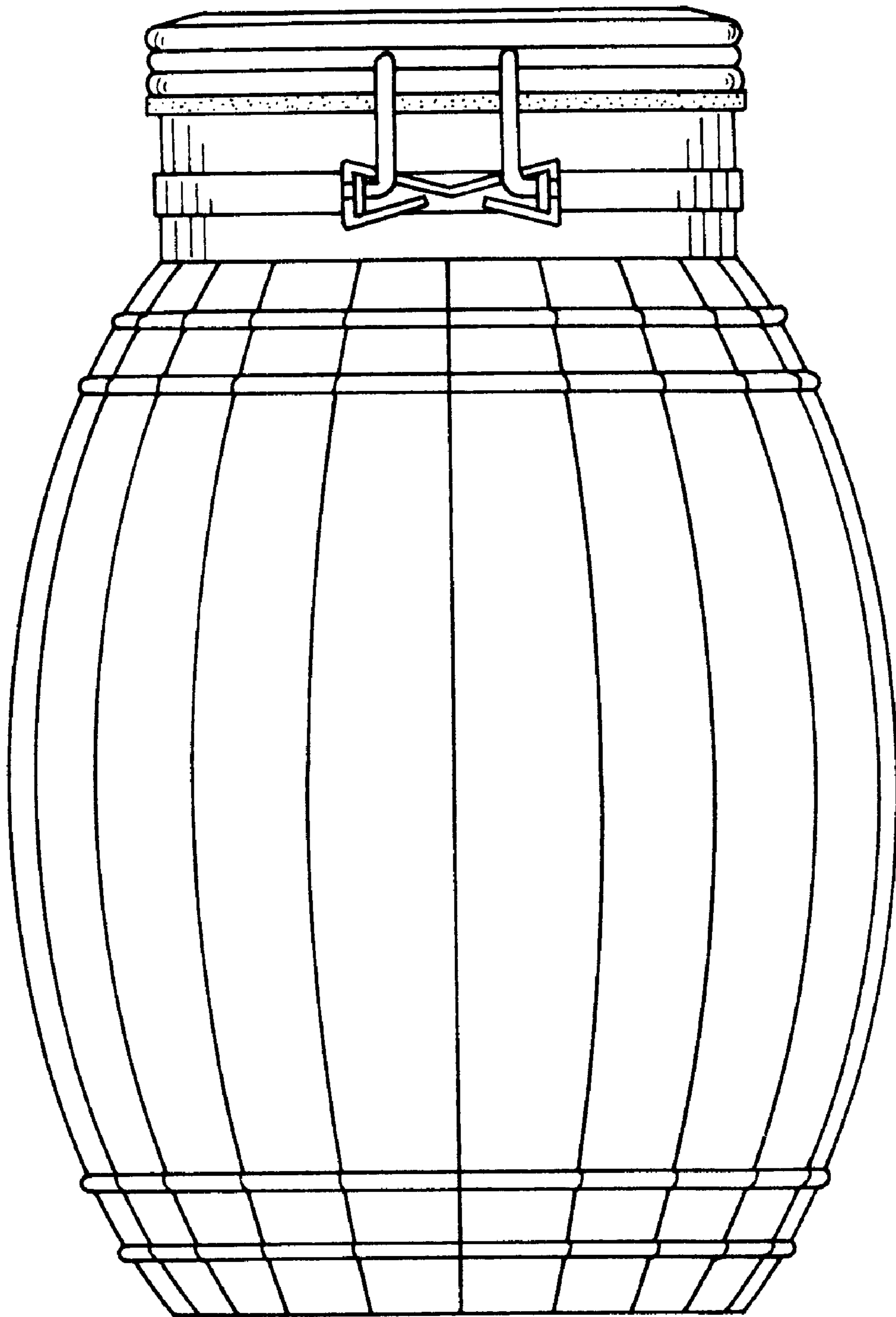


FIG. 3

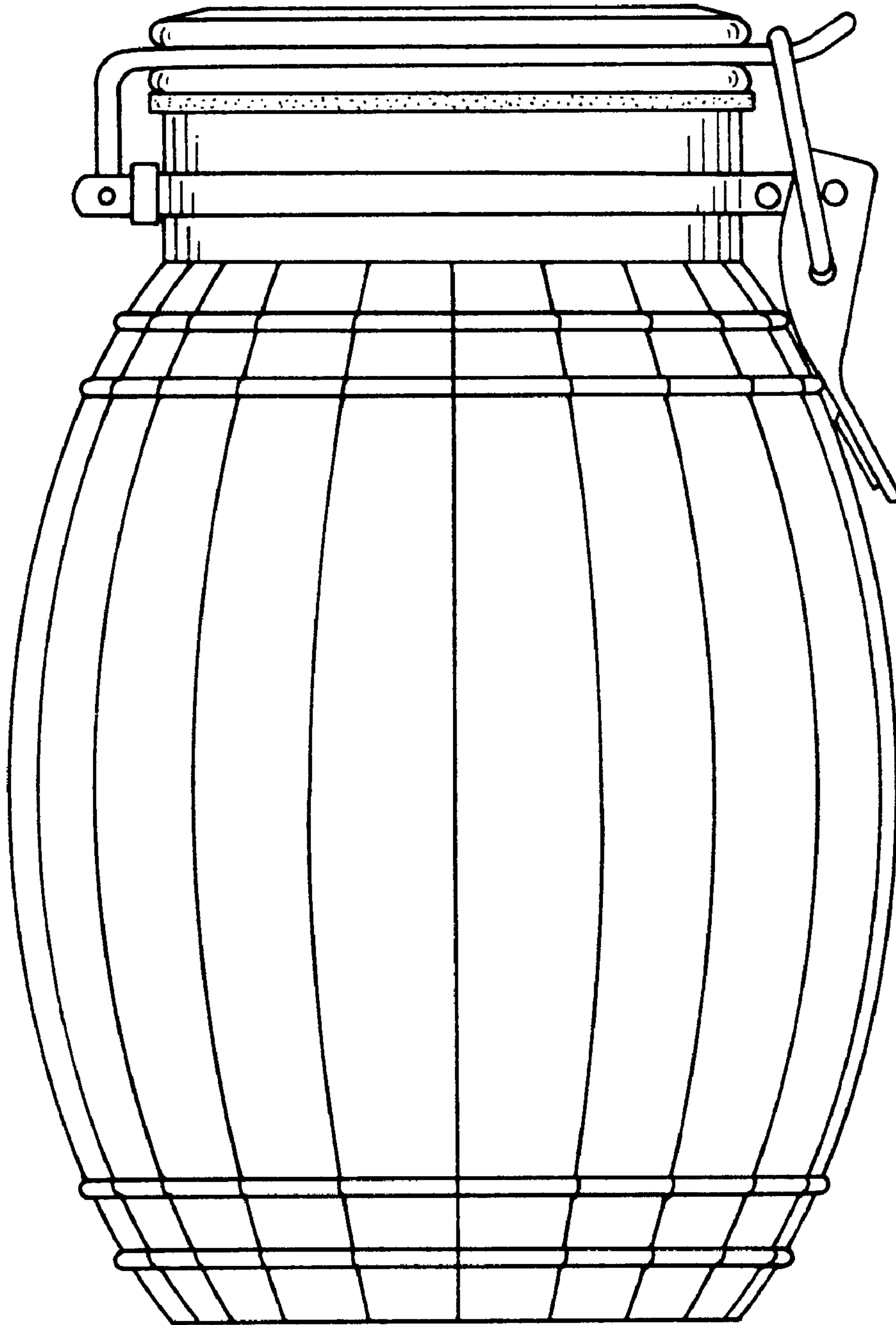


FIG.4

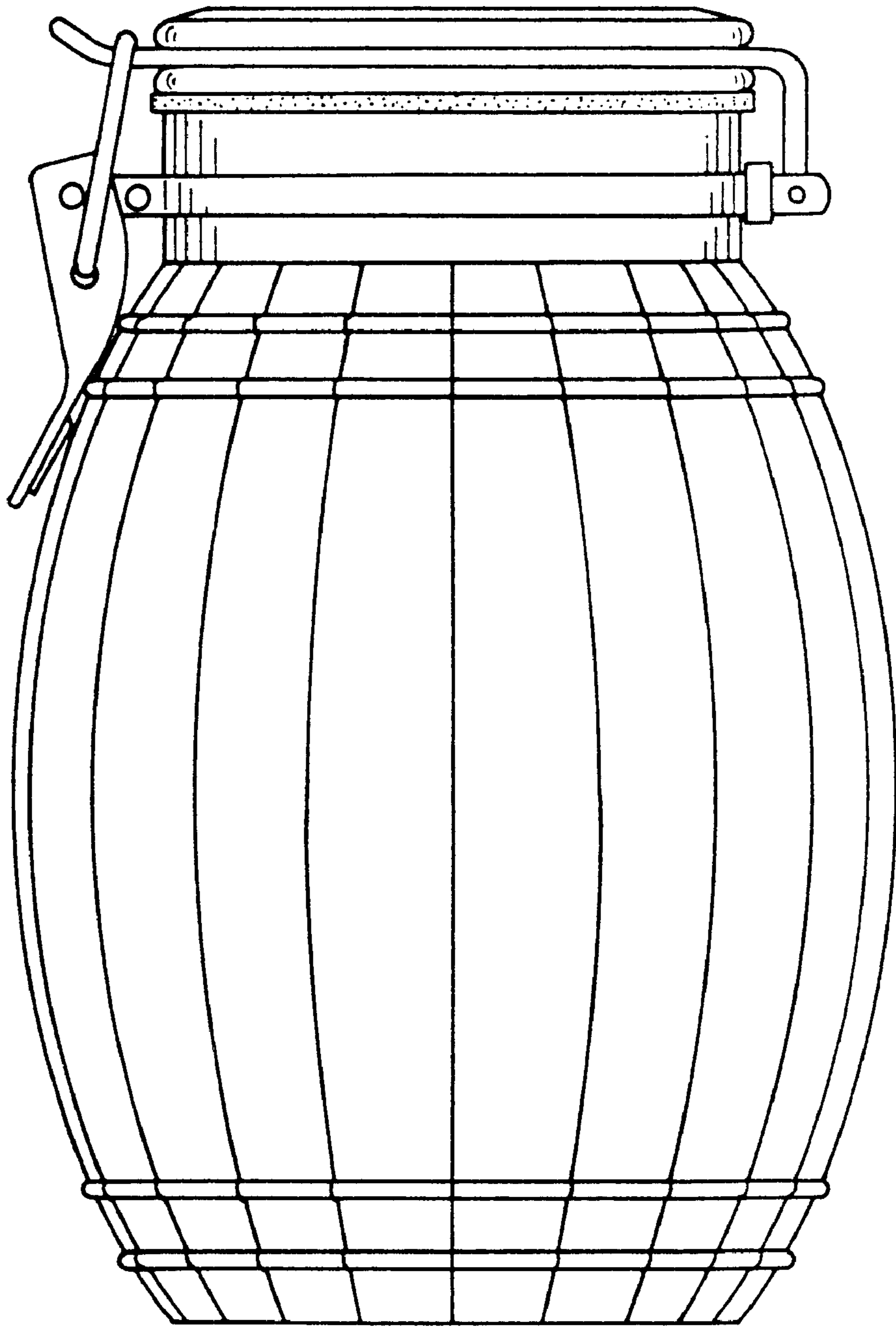


FIG. 5

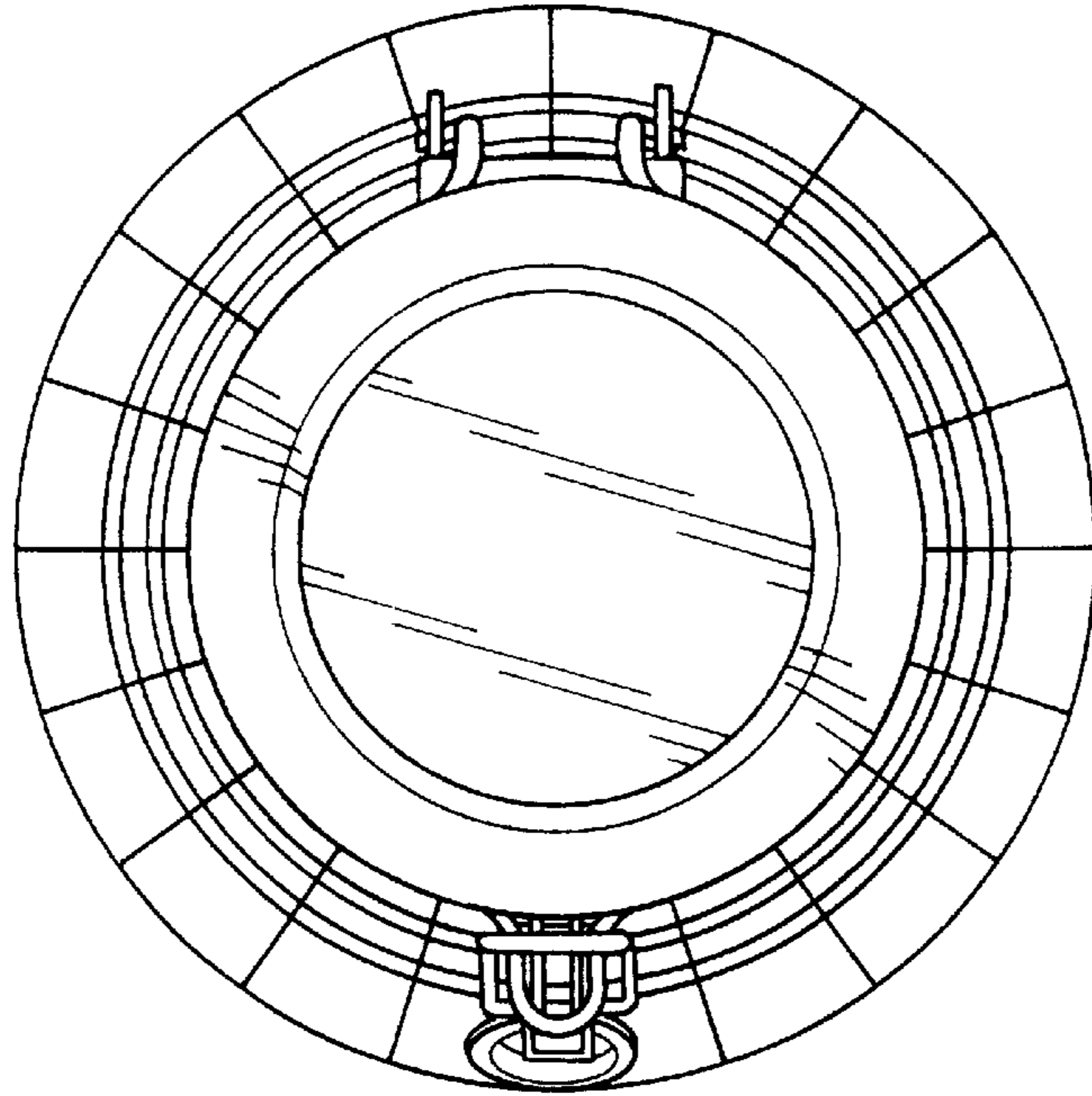


FIG. 6

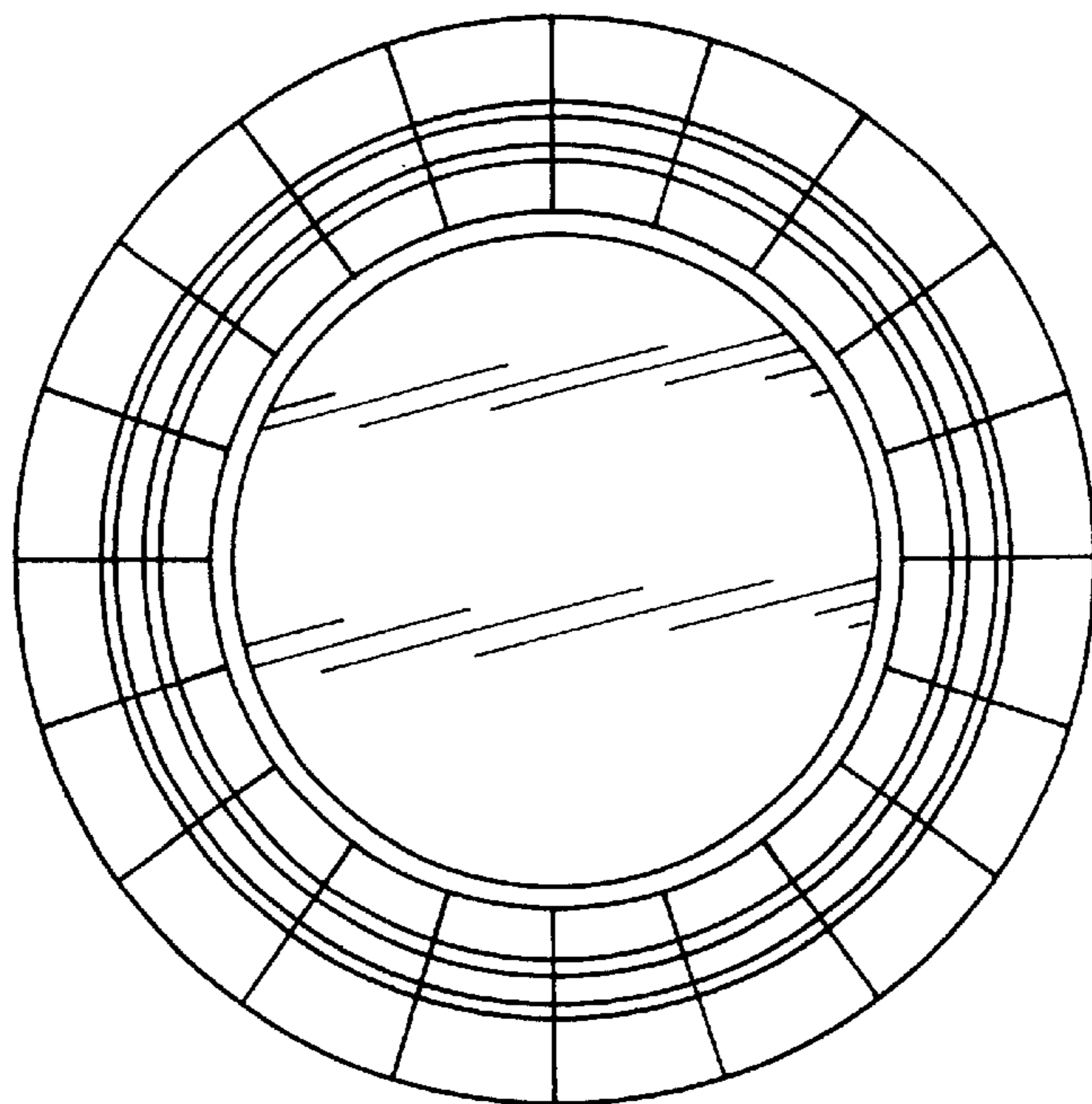


FIG. 7