



US00D484005S

(12) **United States Design Patent**  
**Levien**

(10) **Patent No.:** **US D484,005 S**

(45) **Date of Patent:** **\*\* Dec. 23, 2003**

(54) **CAKE DISH**

(75) **Inventor:** **Robin Levien, London (GB)**

(73) **Assignee:** **Fratelli Guzzini S.p.A.,  
Recanati-Macerata (IT)**

(\*\*) **Term:** **14 Years**

(21) **Appl. No.:** **29/172,290**

(22) **Filed:** **Dec. 10, 2002**

(30) **Foreign Application Priority Data**

Jun. 14, 2002 (IT) ..... MI200200412

(51) **LOC (7) Cl. .... 02-07**

(52) **U.S. Cl. .... D7/610; D7/629**

(58) **Field of Search .... D7/610, 629, 502,  
D7/538-542; 220/780-788, 792-799, 669-675,  
4.21; 426/128; 206/467, 508, 519; D9/424,  
428**

(56) **References Cited**

**U.S. PATENT DOCUMENTS**

3,511,288 A \* 5/1970 Swett et al. .... 220/783

3,861,433 A \* 1/1975 Schier et al. .... 220/82  
D254,166 S \* 2/1980 Christian ..... D7/629  
D270,322 S \* 8/1983 Daenen et al. .... D7/629  
D438,759 S \* 3/2001 Adams ..... D7/542

\* cited by examiner

*Primary Examiner*—Terry A. Wallace

(74) *Attorney, Agent, or Firm*—Hedman & Costigan, P.C.

(57) **CLAIM**

The ornamental design for a cake dish, as shown and described.

**DESCRIPTION**

FIG. 1 is a perspective view of a cake dish, showing my new design;

FIG. 2 is a front view thereof;

FIG. 3 is a side view thereof; and,

FIG. 4 is a top view thereof.

**1 Claim, 4 Drawing Sheets**

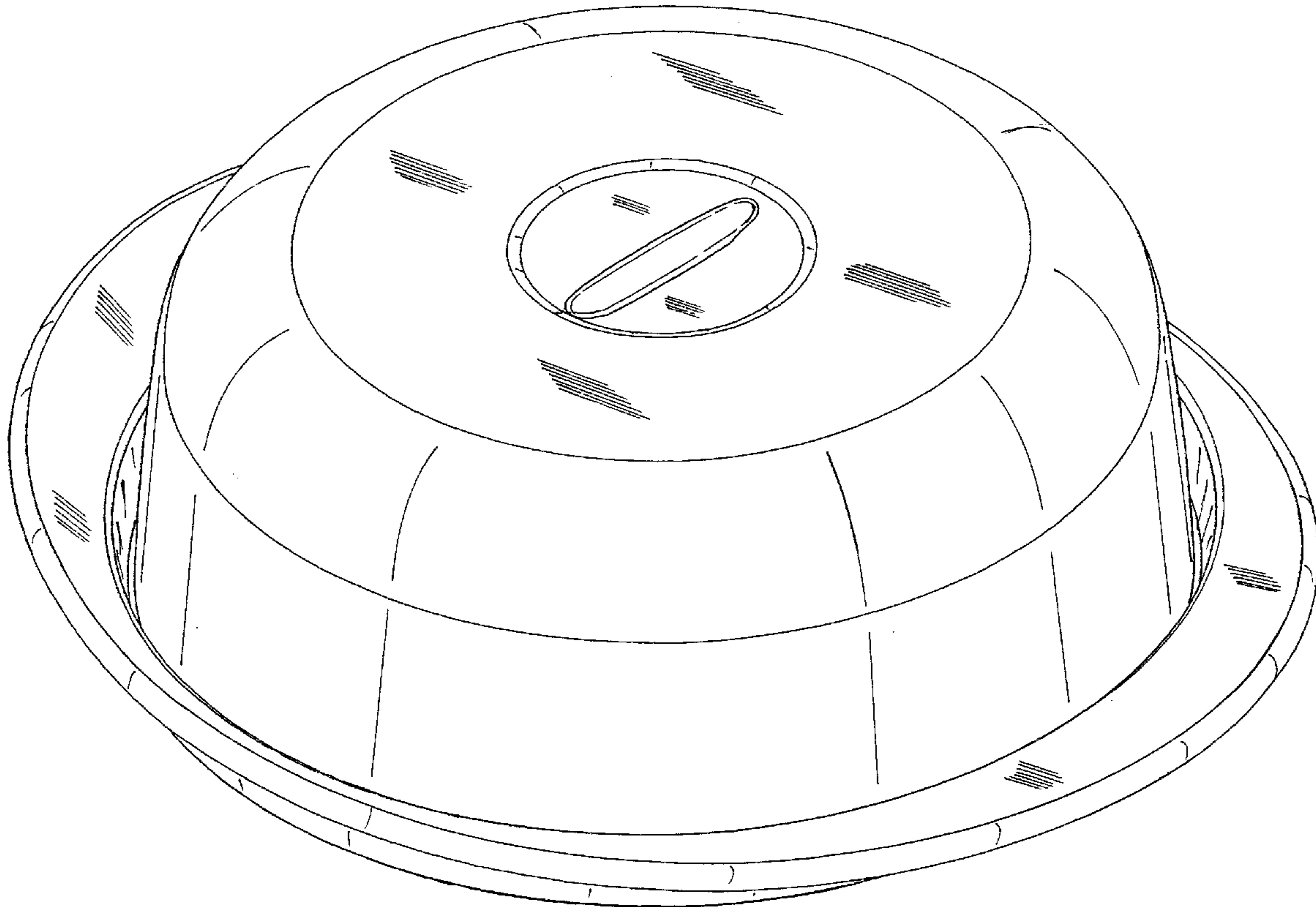
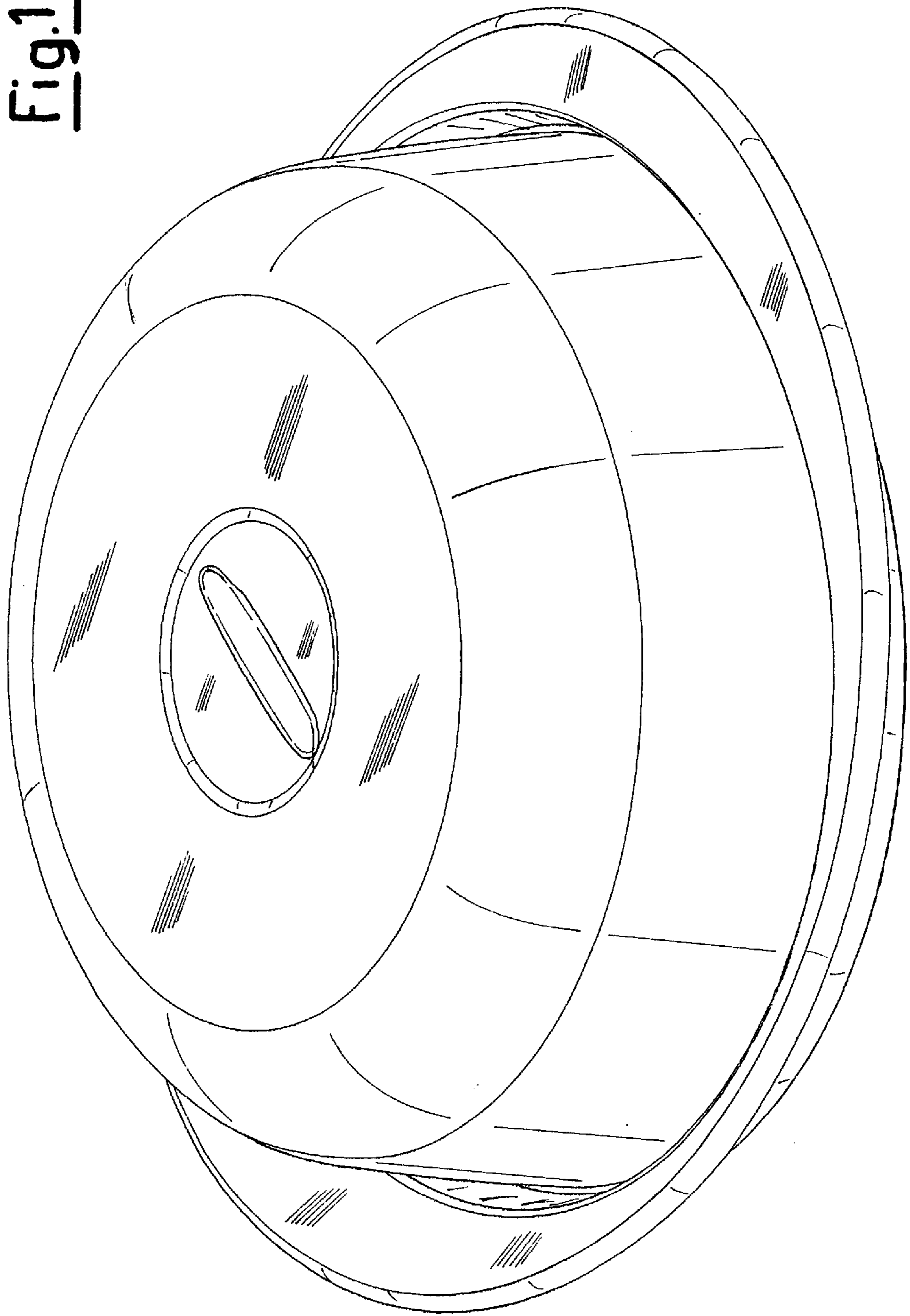


Fig. 1



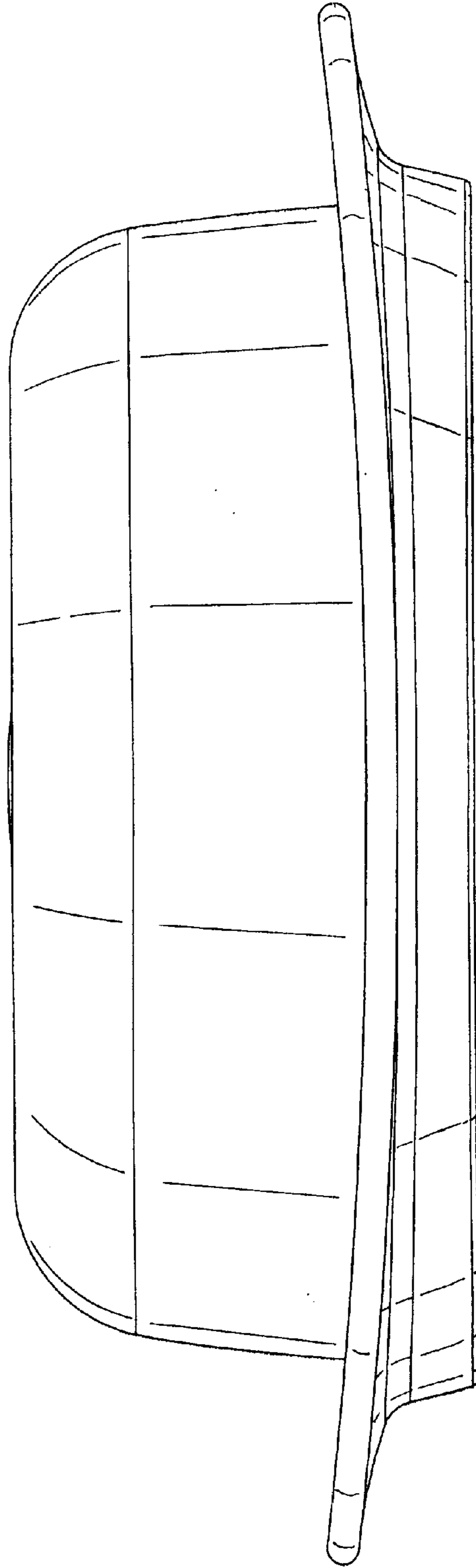
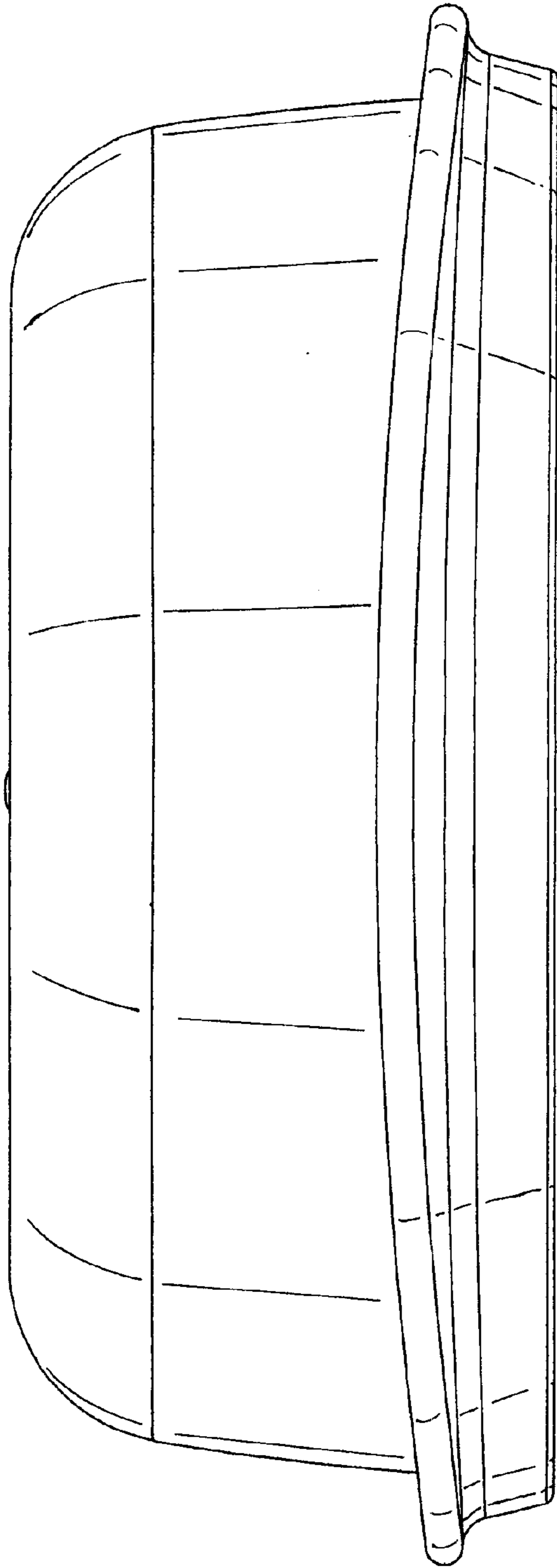


Fig. 2



**Fig. 3**

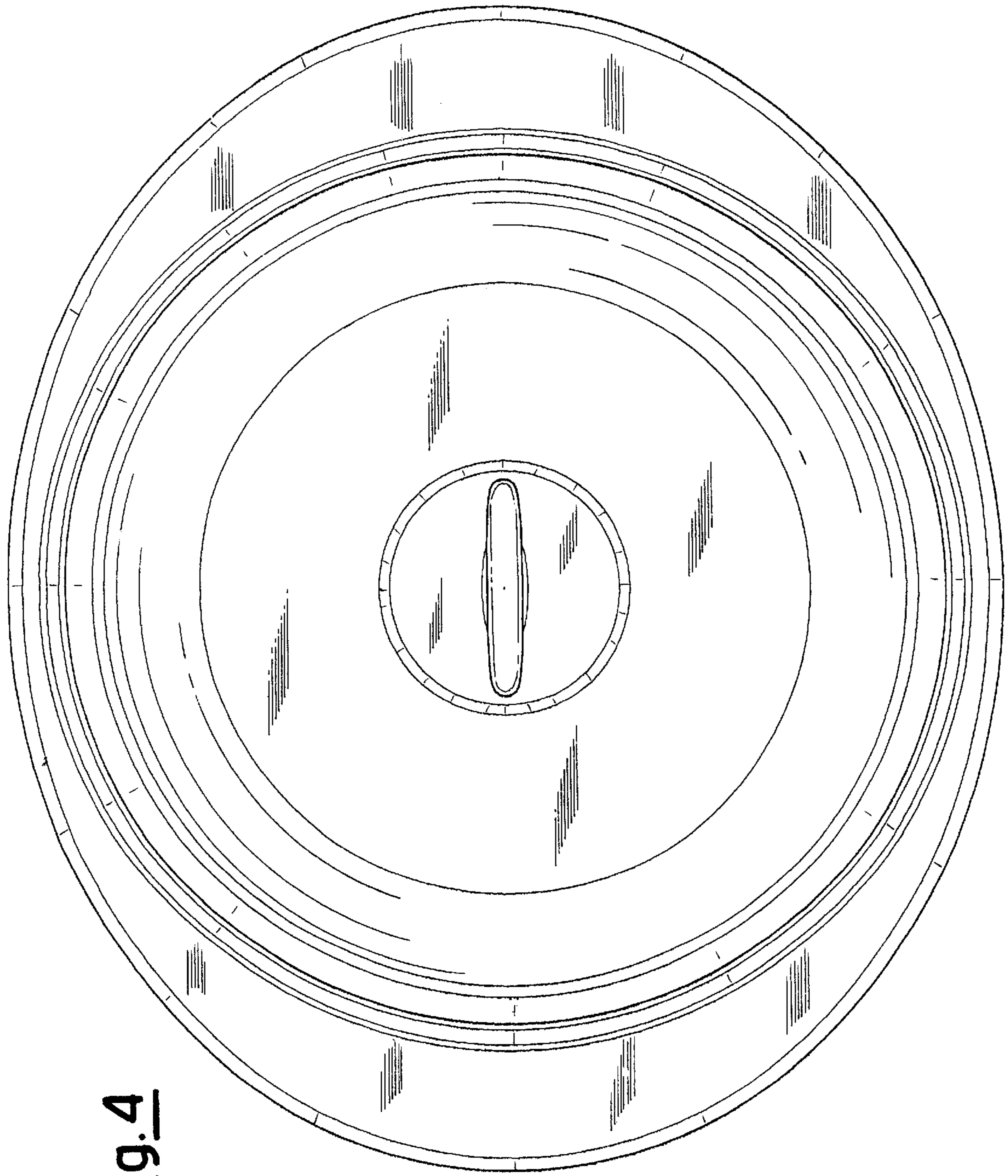


Fig. 4