



US00D484000S

(12) **United States Design Patent**  
**Levien**

(10) **Patent No.:** **US D484,000 S**

(45) **Date of Patent:** **\*\* Dec. 23, 2003**

- (54) **HORS D'OEUVRE TRAY**
- (75) Inventor: **Robin Levien**, London (GB)
- (73) Assignee: **Fratelli Guzzini S.p.A.**, Recanati - Macerata (IT)
- (\*\*) Term: **14 Years**
- (21) Appl. No.: **29/172,302**
- (22) Filed: **Dec. 10, 2002**
- (30) **Foreign Application Priority Data**  
Jun. 14, 2002 (IT) ..... MI200200412
- (51) **LOC (7) Cl.** ..... **07-01**
- (52) **U.S. Cl.** ..... **D7/553.6**
- (58) **Field of Search** ..... D7/500, 542-546, D7/549, 551-557, 550.17, 553.7, 569, 573, 554.2, 554.4; 220/556, 575, 912
- (56) **References Cited**

**U.S. PATENT DOCUMENTS**

- D266,393 S \* 10/1982 Mayer et al. .... D8/93
- D364,537 S \* 11/1995 Anderson ..... D7/553.6
- D370,598 S \* 6/1996 Koch ..... D7/543

- D376,295 S \* 12/1996 Ahern et al. .... D7/549
- D384,861 S \* 10/1997 Richard ..... D7/553.6
- D408,686 S \* 4/1999 Lillelund et al. .... D7/554.2
- D431,161 S \* 9/2000 Kaposi et al. .... D7/586
- D474,940 S \* 5/2003 Wellner ..... D7/566

**FOREIGN PATENT DOCUMENTS**

- GB 3005557 \* 8/2002
- WO DM/062876 \* 2/2002

\* cited by examiner

*Primary Examiner*—Charles A. Rademaker  
(74) *Attorney, Agent, or Firm*—Hedman & Costigan, P.C.

(57) **CLAIM**

The ornamental design for an hors d'oeuvre tray, as shown and described.

**DESCRIPTION**

FIG. 1 is a perspective view of an hors d'oeuvre tray, showing my new design;  
FIG. 2 is a front view thereof;  
FIG. 3 is a side view thereof; and,  
FIG. 4 is a top view thereof.

**1 Claim, 3 Drawing Sheets**

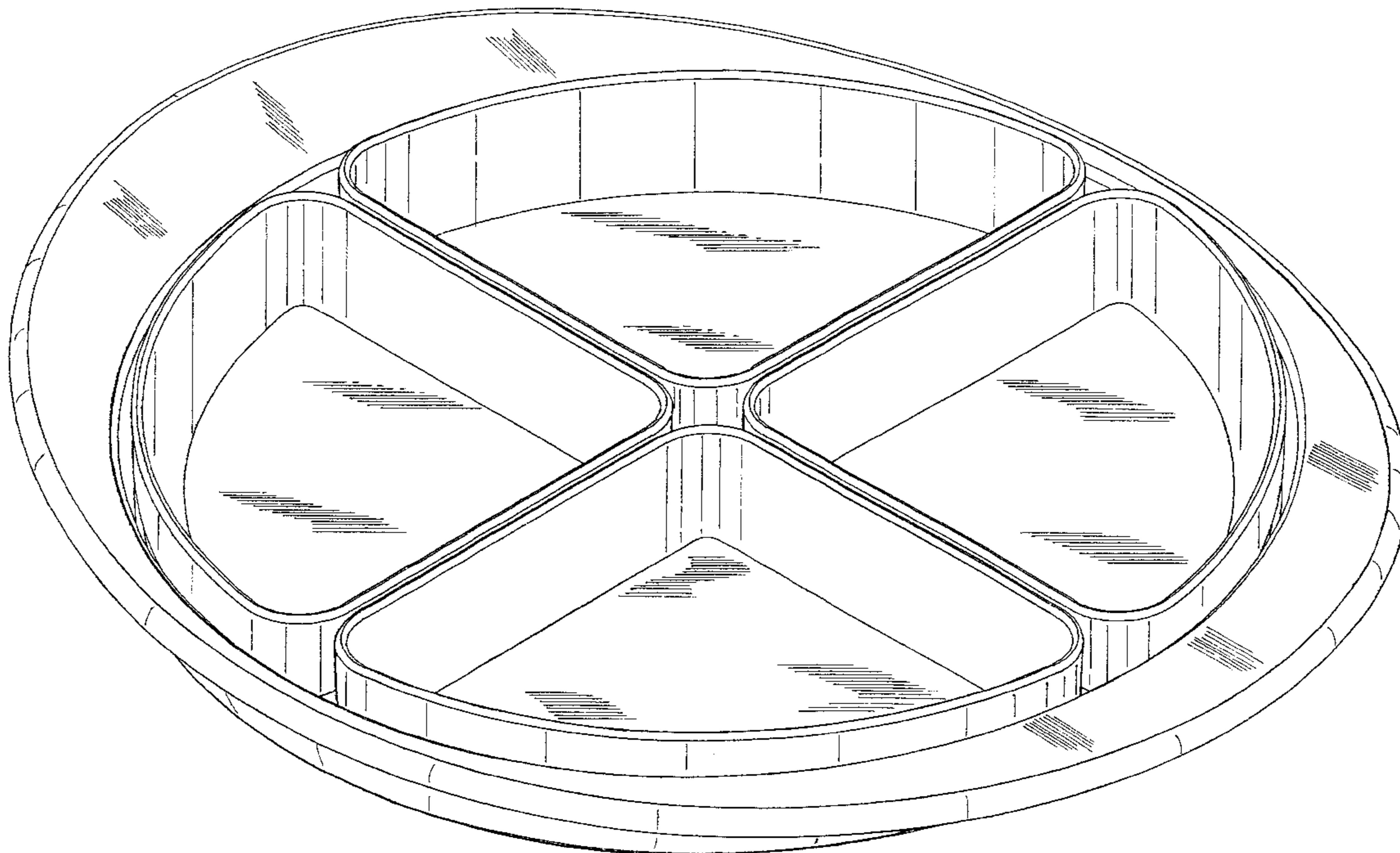


Fig. 1

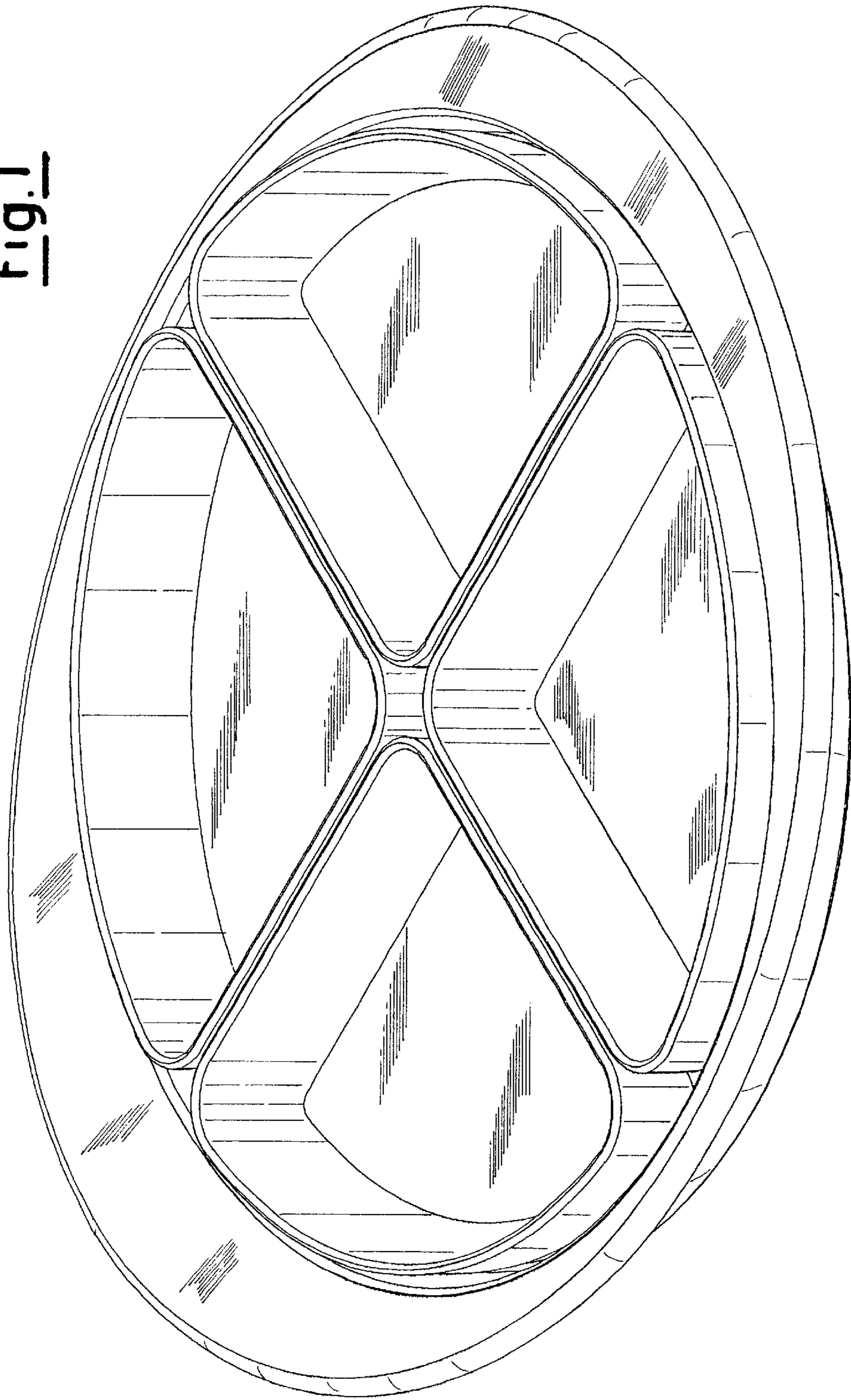


Fig. 2

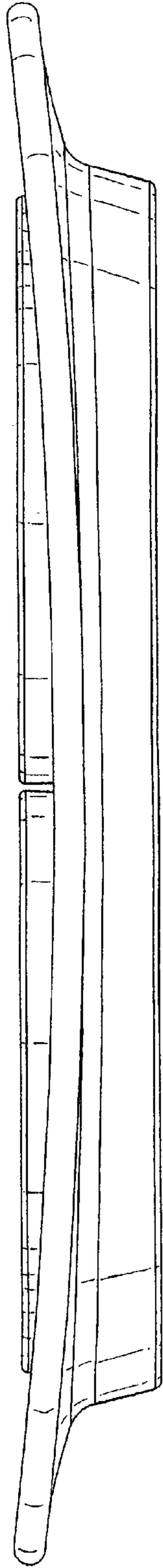


Fig. 3

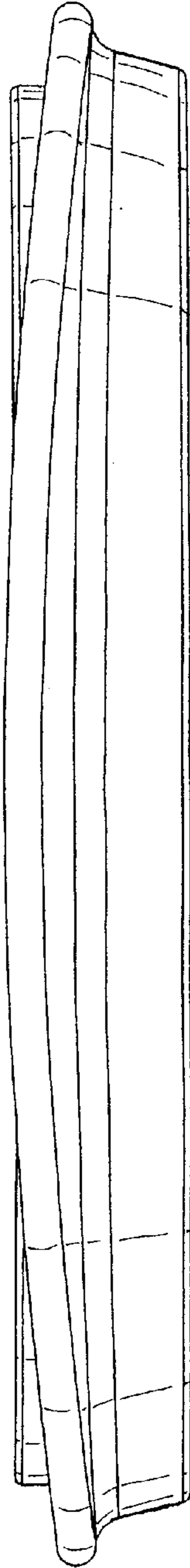


Fig. 4

