



US00D483999S

(12) **United States Design Patent** (10) **Patent No.:** **US D483,999 S**  
**Beachum et al.** (45) **Date of Patent:** **\*\* Dec. 23, 2003**

(54) **FOOD TRAY**

(75) Inventors: **Chad Beachum**, Allendale, MI (US);  
**Nickolas Latorre**, Spring Lake, MI (US); **Earl E. Bailey**, Manchester, MO (US)

(73) Assignee: **Gerber Products Company**, Fremont, MI (US)

(\*\*) Term: **14 Years**

(21) Appl. No.: **29/167,122**

(22) Filed: **Sep. 9, 2002**

(51) **LOC (7) Cl.** ..... **07-01**

(52) **U.S. Cl.** ..... **D7/553.6; D7/357; D9/341**

(58) **Field of Search** ..... **D7/541, 550.1, D7/553.1-557, 354-361; D9/341, 346, 347, 429; D32/53.1; D3/310; 206/557, 558, 561, 565; 220/570, 571, 573.1-575, 500, 507, 553-556; 99/439**

D376,295 S \* 12/1996 Ahern et al. .... D7/549  
5,624,051 A 4/1997 Ahern, Jr. et al.  
D386,075 S 11/1997 Hayes et al.  
D387,272 S 12/1997 Lippincott  
D387,986 S 12/1997 Hayes et al.  
D392,884 S 3/1998 Hayes  
D408,733 S 4/1999 McCann  
5,919,501 A 7/1999 Rozzano  
5,925,390 A \* 7/1999 Kornacki ..... 426/87  
D416,751 S 11/1999 Sawyer et al.  
D417,366 S 12/1999 Obra  
D420,180 S 2/2000 Mason et al.  
D420,855 S 2/2000 Hurley  
D433,592 S 11/2000 Hopkins  
D436,854 S 1/2001 Feldmeier  
6,187,354 B1 2/2001 Hopkins  
D441,615 S 5/2001 Dretzka  
D442,484 S 5/2001 Maxwell et al.  
D443,205 S 6/2001 Mangla et al.  
D446,085 S 8/2001 Dretzka  
D448,130 S 9/2001 Wagner

**FOREIGN PATENT DOCUMENTS**

GB 2205064 A \* 11/1988

\* cited by examiner

*Primary Examiner*—Caron D. Veynar  
(74) *Attorney, Agent, or Firm*—John W. Kung

(56) **References Cited**  
**U.S. PATENT DOCUMENTS**

D41,766 S \* 9/1911 Bender ..... D7/557  
1,576,088 A \* 3/1926 Bunz ..... 220/575  
D184,057 S 12/1958 Kearns  
3,164,285 A \* 1/1965 Melich ..... 220/592.23  
D206,547 S \* 12/1966 Swett ..... D7/541  
D219,263 S 11/1970 Castelli et al.  
4,081,646 A \* 3/1978 Goltsos ..... 219/729  
D283,666 S 5/1986 Holzkopf  
D284,727 S 7/1986 Gerber  
D292,878 S 11/1987 Commisso et al.  
D293,769 S 1/1988 Gilardone, Jr.  
D301,192 S 5/1989 DeCoster  
D305,085 S 12/1989 Otto  
D312,896 S 12/1990 Goetz  
D316,359 S 4/1991 Anderson  
D339,030 S \* 9/1993 Bitel, Sr. .... D7/549  
D339,522 S 9/1993 Zoss  
D371,940 S 7/1996 Krupa  
D372,170 S 7/1996 Ahern, Jr.

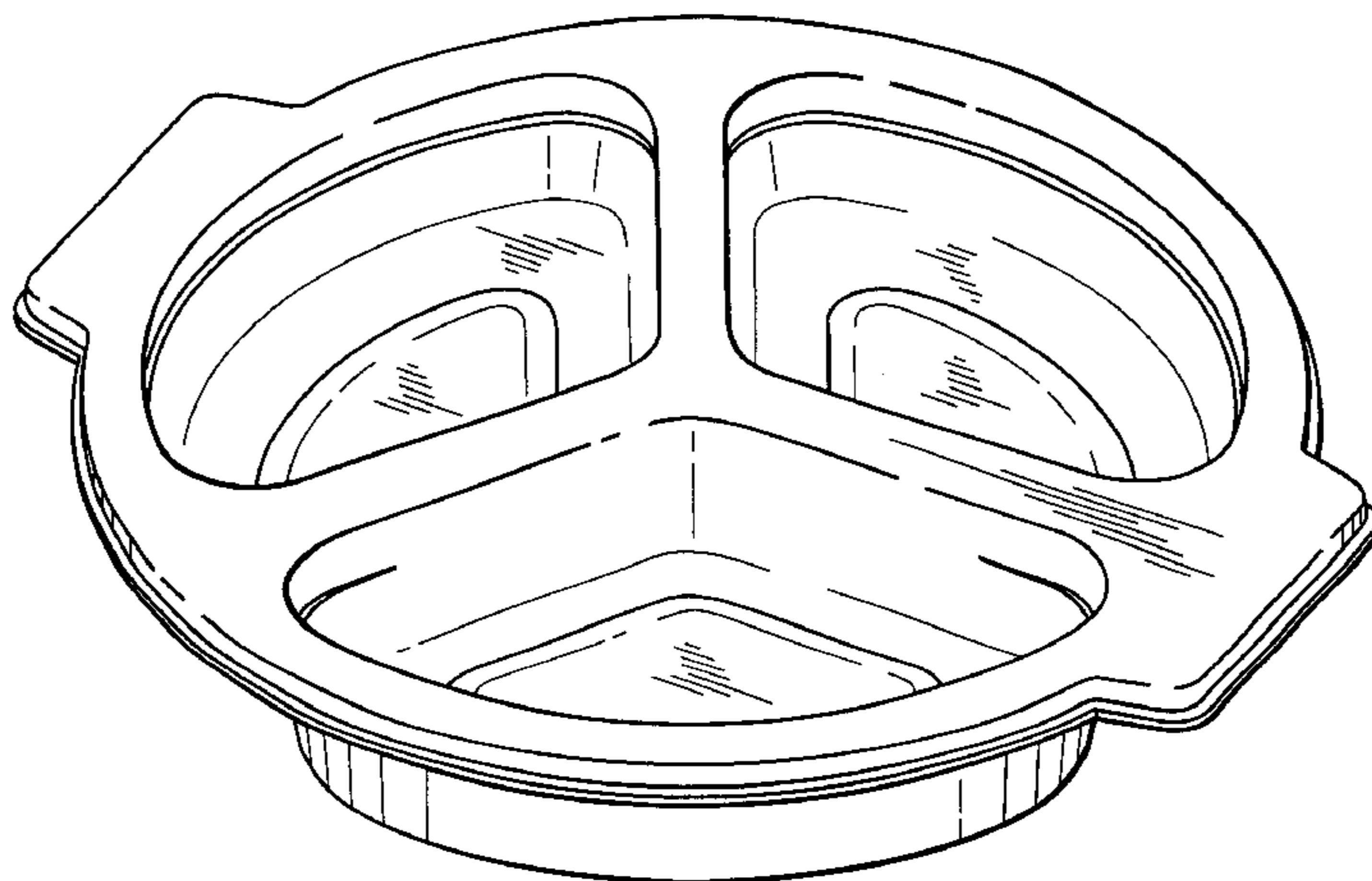
(57) **CLAIM**

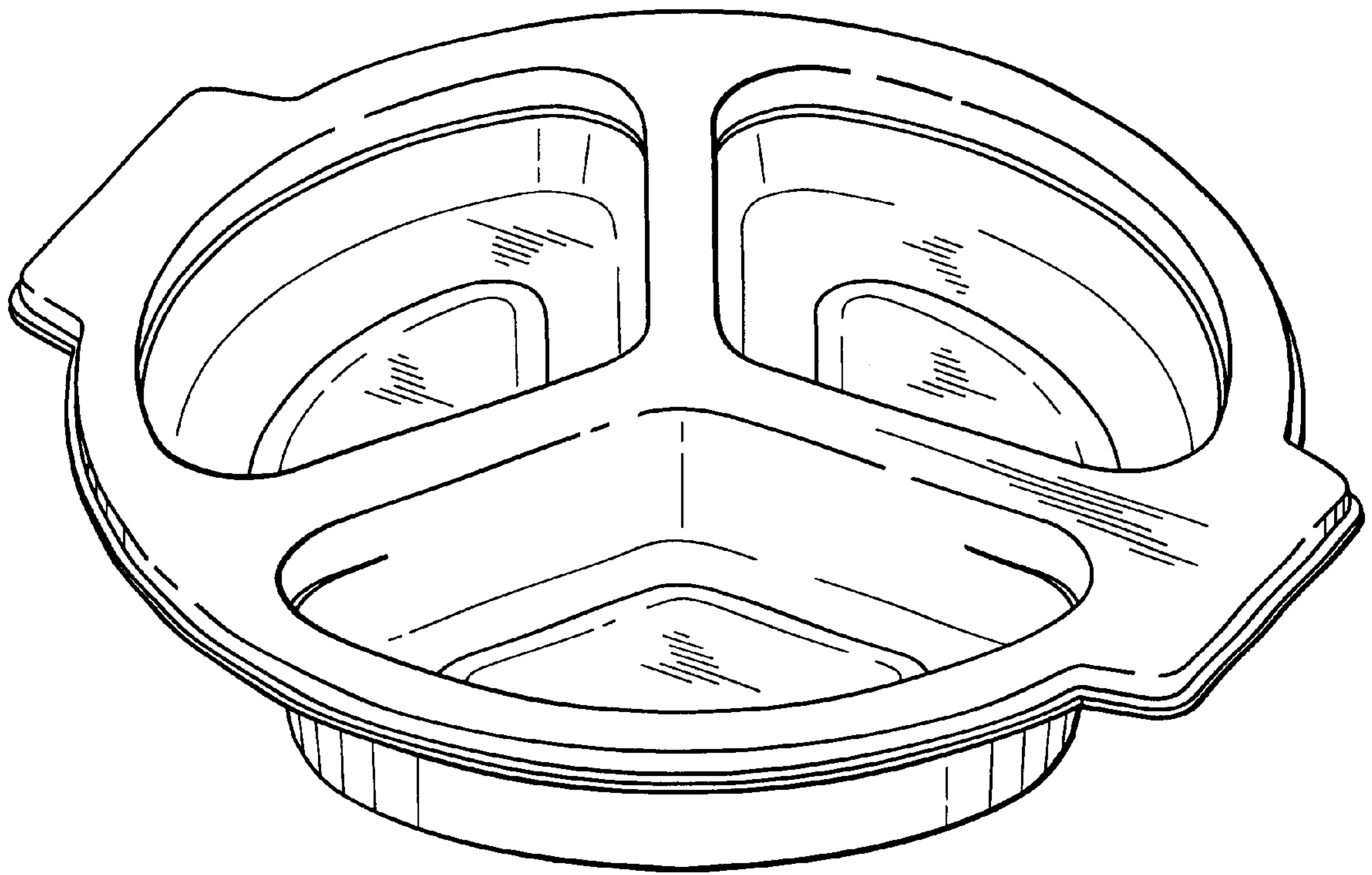
The ornamental design for a food tray, as shown and described.

**DESCRIPTION**

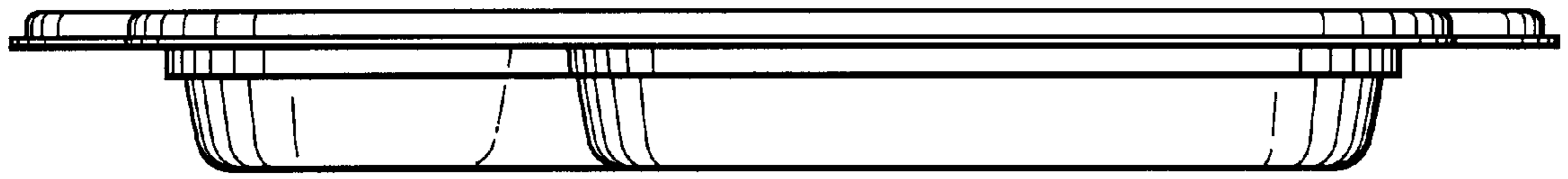
FIG. 1 is a perspective view of a food tray of our new design. FIG. 2 is a side elevational view of the food tray of FIG. 1. FIG. 3 is an opposite side elevational view of the food tray of FIG. 1. FIG. 4 is a front elevation of the food tray of FIG. 1. FIG. 5 is a rear elevation of the food tray of FIG. 1. FIG. 6 is a top plan view of the food tray of FIG. 1; and, FIG. 7 is a bottom plan view of the food tray of FIG. 1.

**1 Claim, 4 Drawing Sheets**

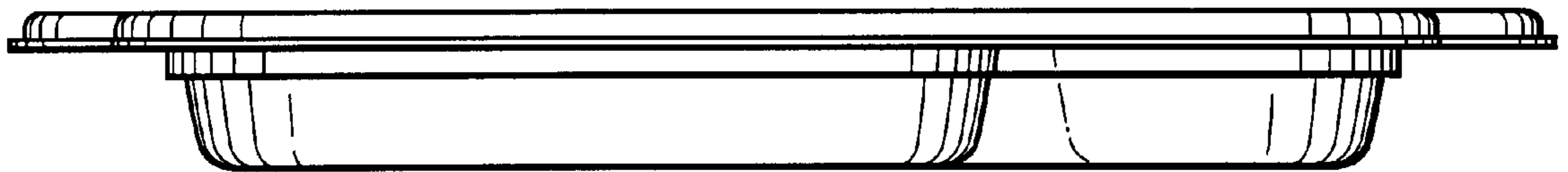




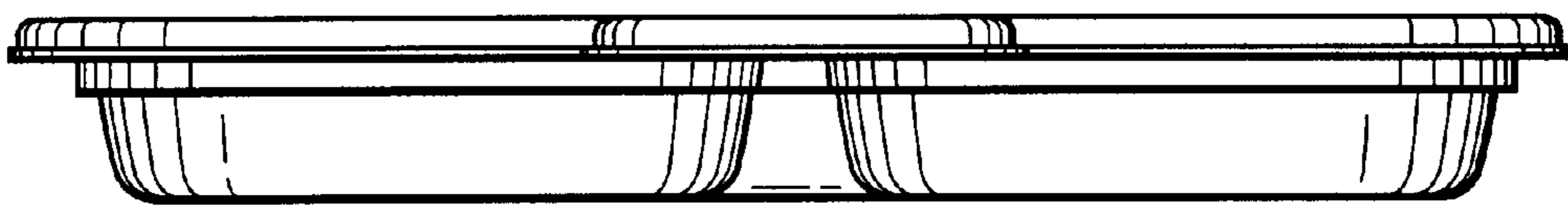
**FIG. 1**



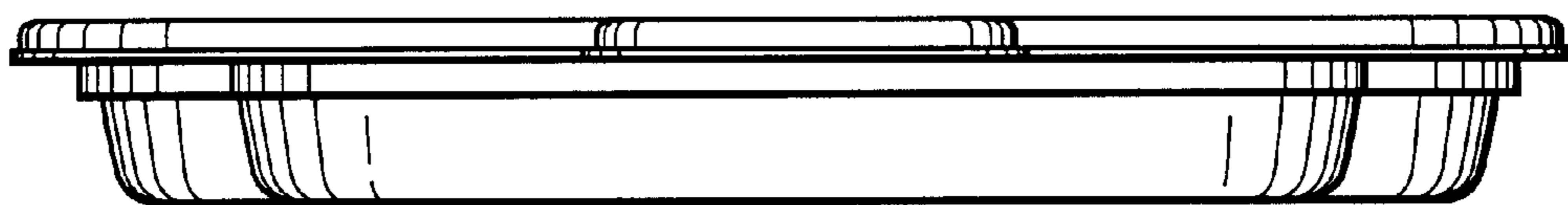
**FIG. 2**



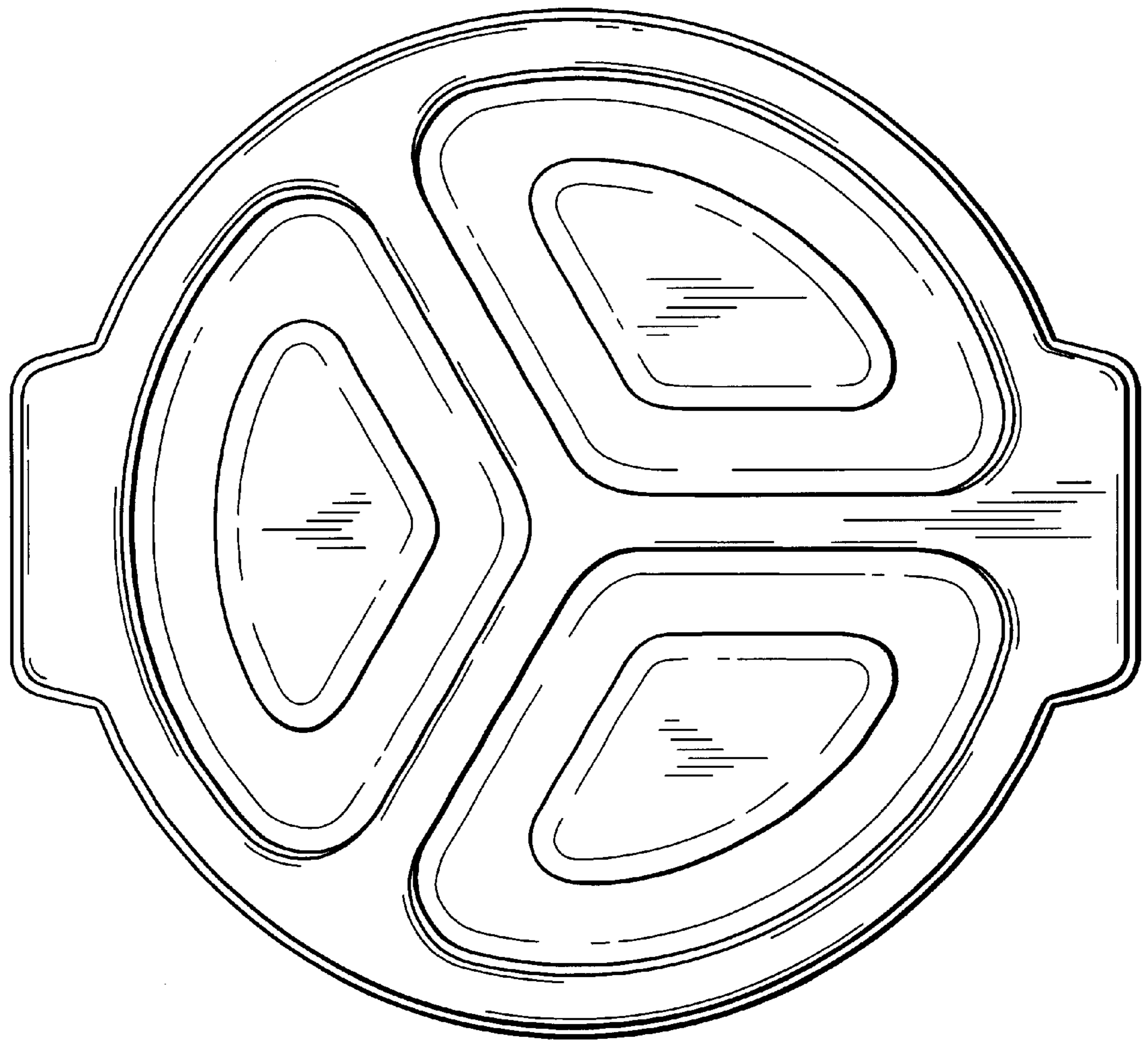
**FIG. 3**



**FIG. 4**



**FIG. 5**



**FIG. 6**

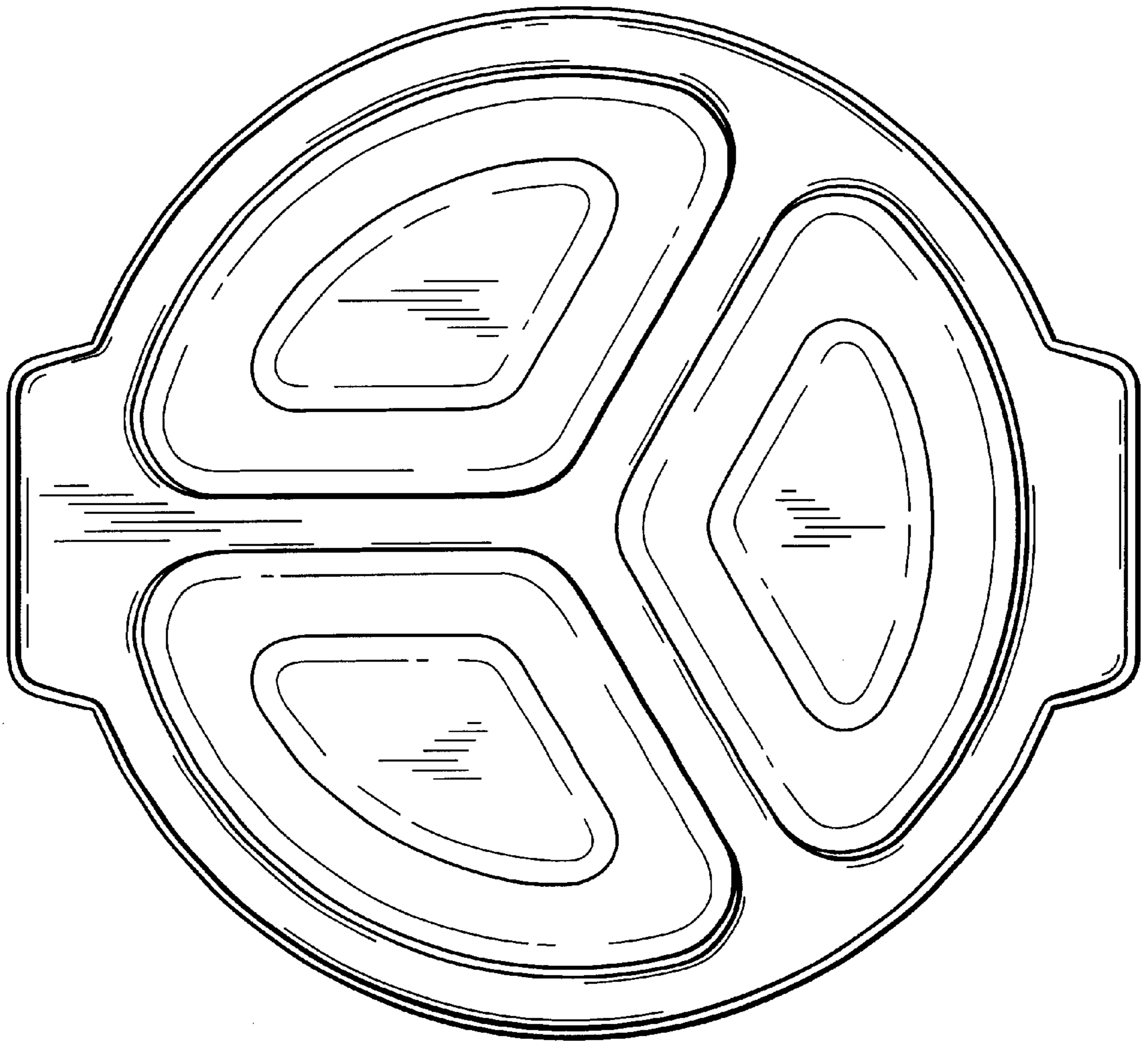


FIG. 7