



US00D483990S

(12) **United States Design Patent**  
**Munari**

(10) **Patent No.:** **US D483,990 S**

(45) **Date of Patent:** **\*\* Dec. 23, 2003**

(54) **HANDLE FOR COOKING VESSELS**

(75) Inventor: **Marco Munari**, Cardano Al Campo (IT)

(73) Assignee: **La Termoplastica F.B.M. S.r.l.**, Arsago Seprio (IT)

(\*\*) Term: **14 Years**

(21) Appl. No.: **29/171,965**

(22) Filed: **Dec. 3, 2002**

(30) **Foreign Application Priority Data**

Jun. 6, 2002 (WO) ..... DM/060 373

(51) **LOC (7) Cl.** ..... **07-02**

(52) **U.S. Cl.** ..... **D7/395**

(58) **Field of Search** ..... D7/393, 395, 354-361;  
D8/97, 107; 16/110.1, 430, 431; 220/573.1-573.5,  
912

(56) **References Cited**

**U.S. PATENT DOCUMENTS**

D191,876 S	*	12/1961	Hvale	.....	D7/395
4,926,521 A	*	5/1990	Gagnepain	.....	16/430
D331,171 S	*	11/1992	Berthet	.....	D7/395
D448,973 S	*	10/2001	Hay et al.	.....	D7/395
D452,631 S	*	1/2002	Knorr	.....	D7/395

\* cited by examiner

*Primary Examiner*—Terry A. Wallace

(74) *Attorney, Agent, or Firm*—Ladas & Parry

(57) **CLAIM**

The ornamental design for a handle for cooking vessels, as shown and described.

**DESCRIPTION**

FIG. 1 is a top plan view of a handle for cooking vessels showing my new design;

FIG. 2 is a right side view thereof, the left side view being a mirror image;

FIG. 3 is a bottom plan view thereof;

FIG. 4 is a front view thereof;

FIG. 5 is a rear view thereof;

FIG. 6 is a top, side perspective view thereof;

FIG. 7 is a bottom, side perspective view thereof;

FIG. 8 is a top plan view of an alternate embodiment of FIG. 1;

FIG. 9 is a right side view of FIG. 8, the left side view being a mirror image;

FIG. 10 is a bottom plan view of FIG. 8;

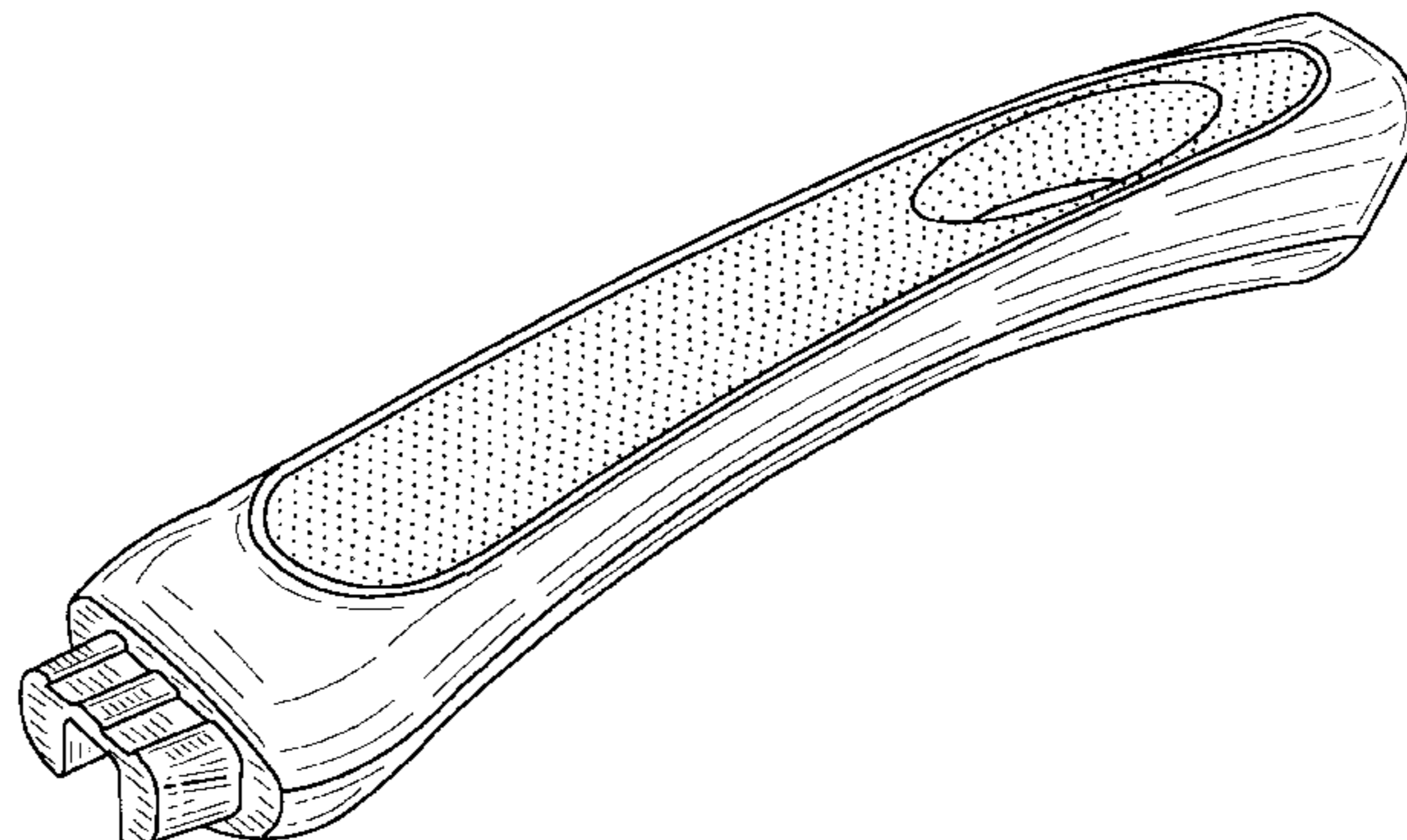
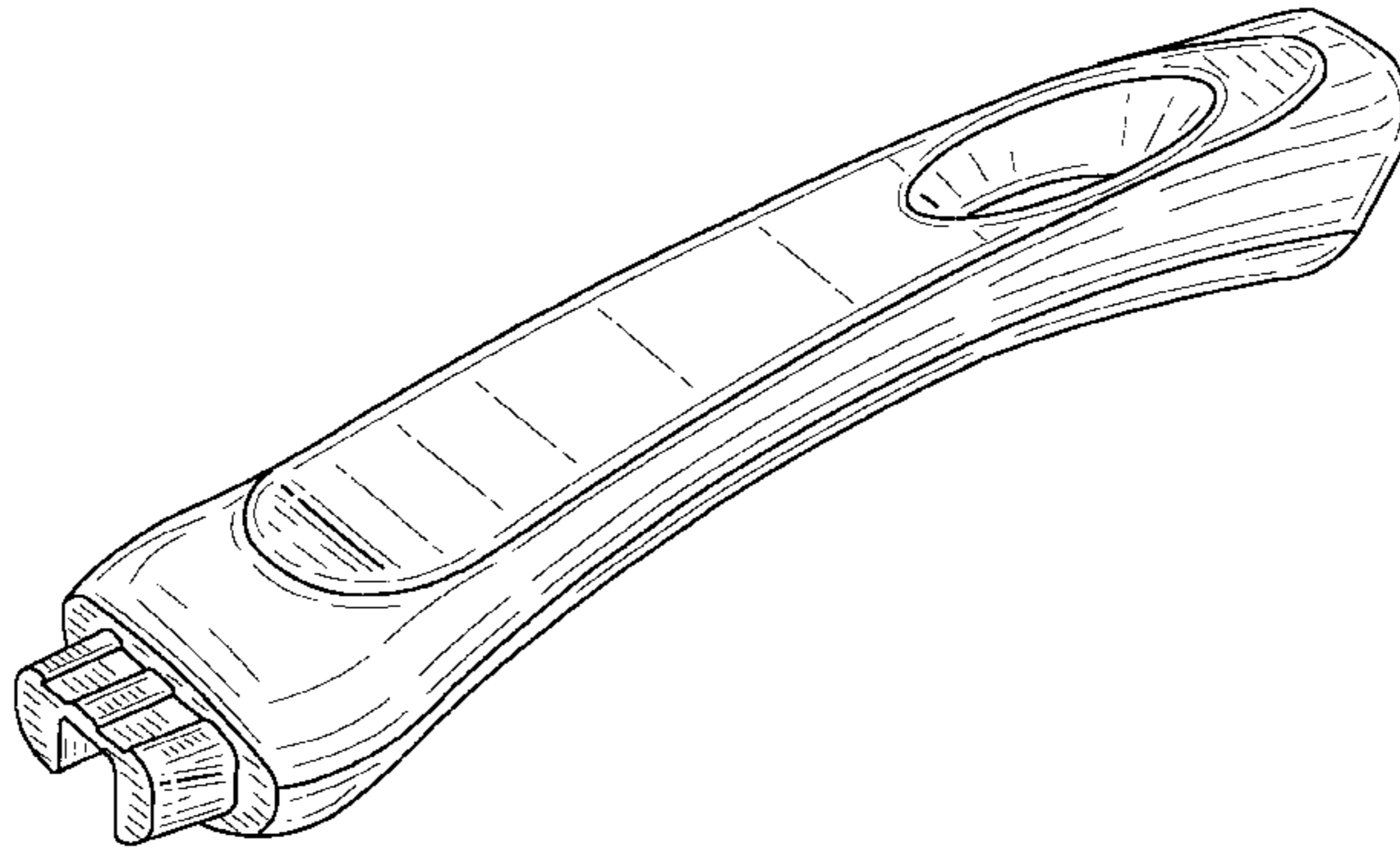
FIG. 11 is a front view of FIG. 8;

FIG. 12 is a rear view of FIG. 8;

FIG. 13 is a top, side perspective view of FIG. 8; and,

FIG. 14 is a bottom, side perspective view of FIG. 8.

**1 Claim, 4 Drawing Sheets**



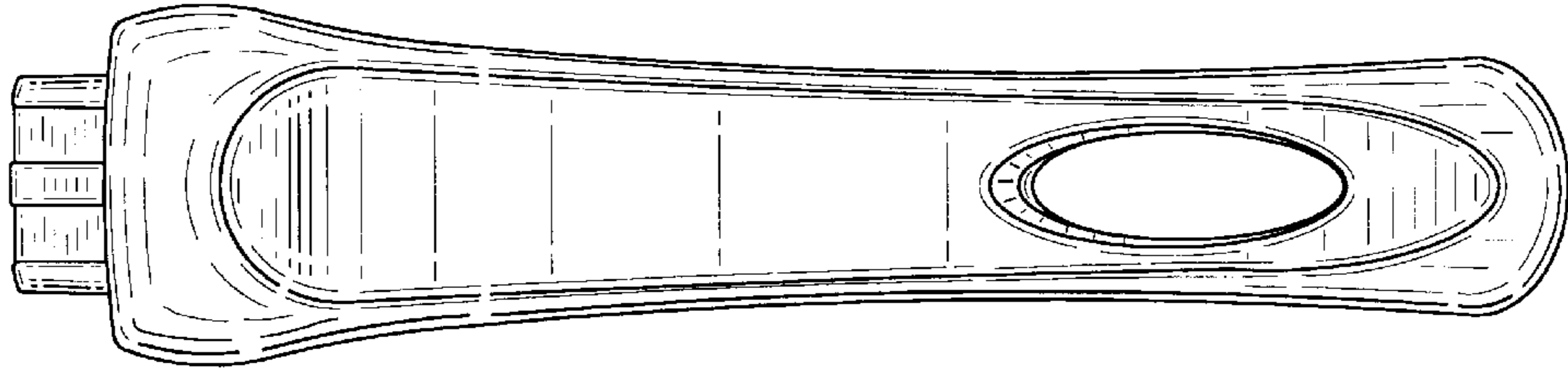


FIG. 1

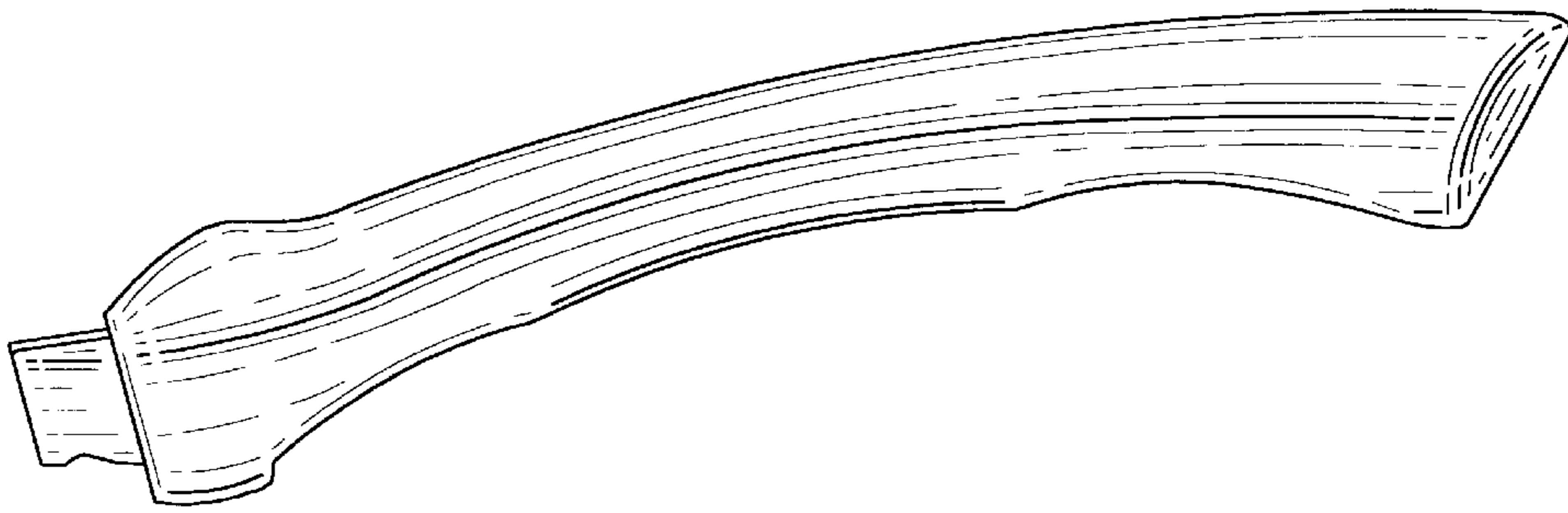


FIG. 2

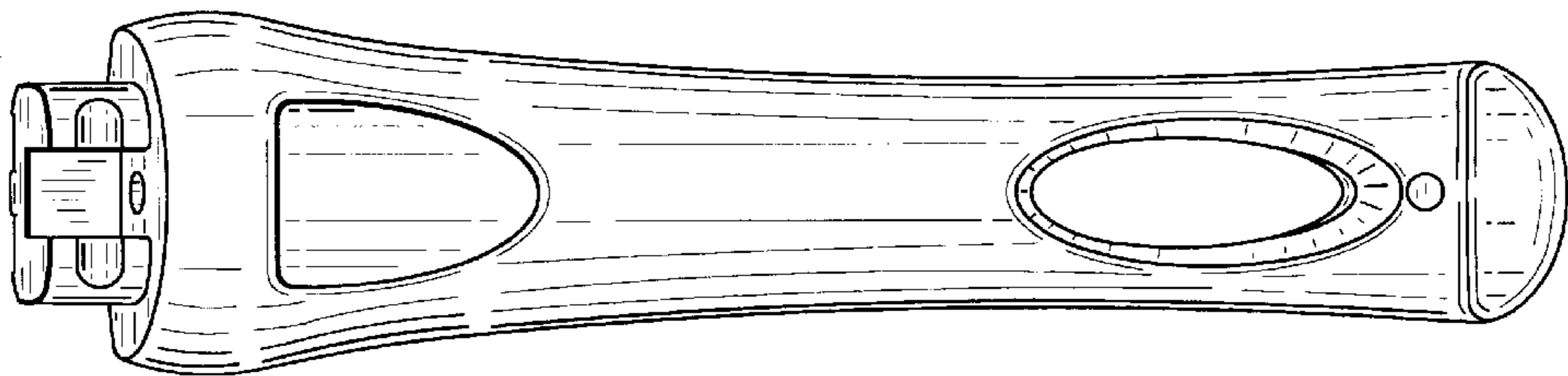


FIG. 3

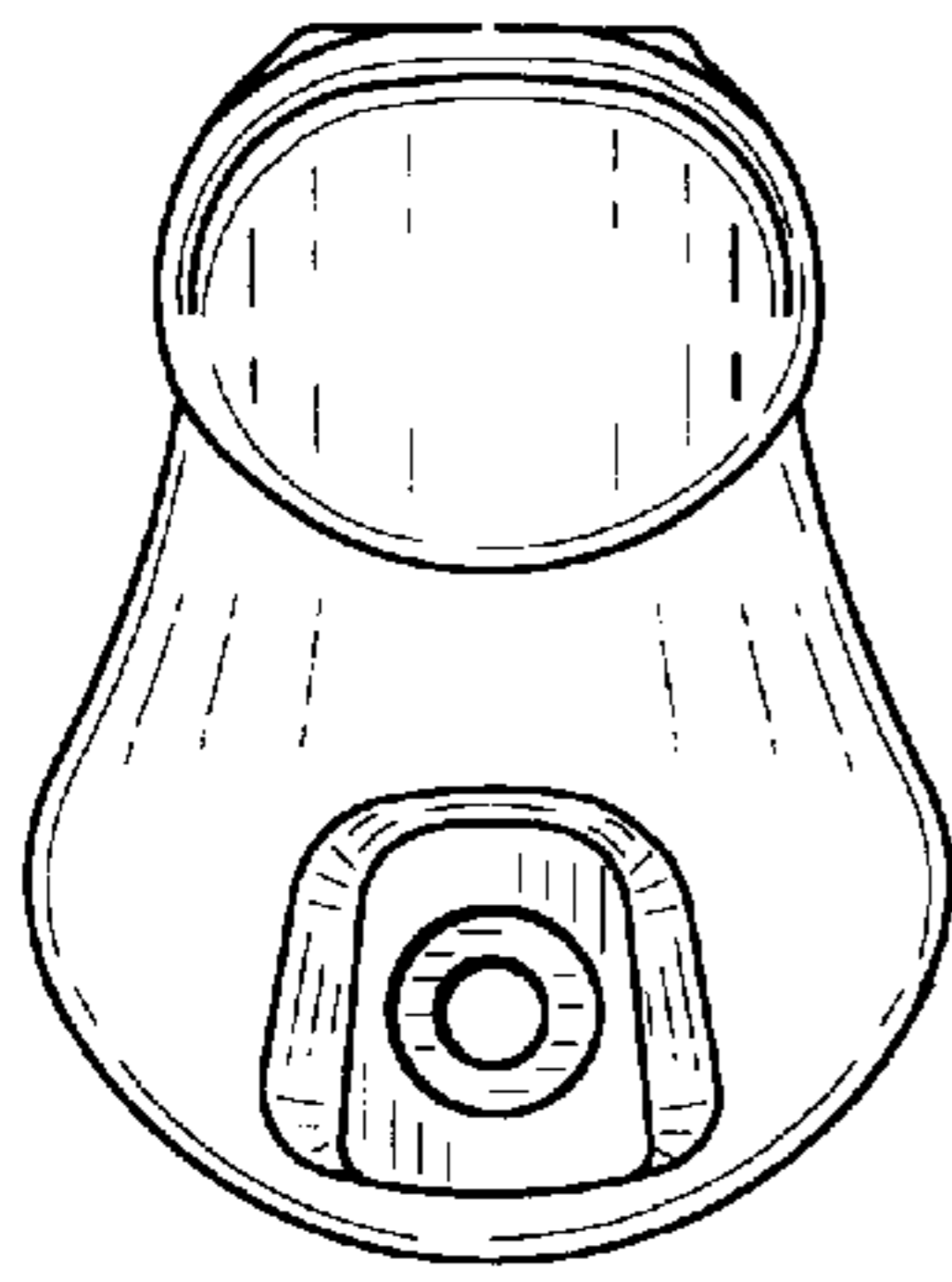


FIG. 4

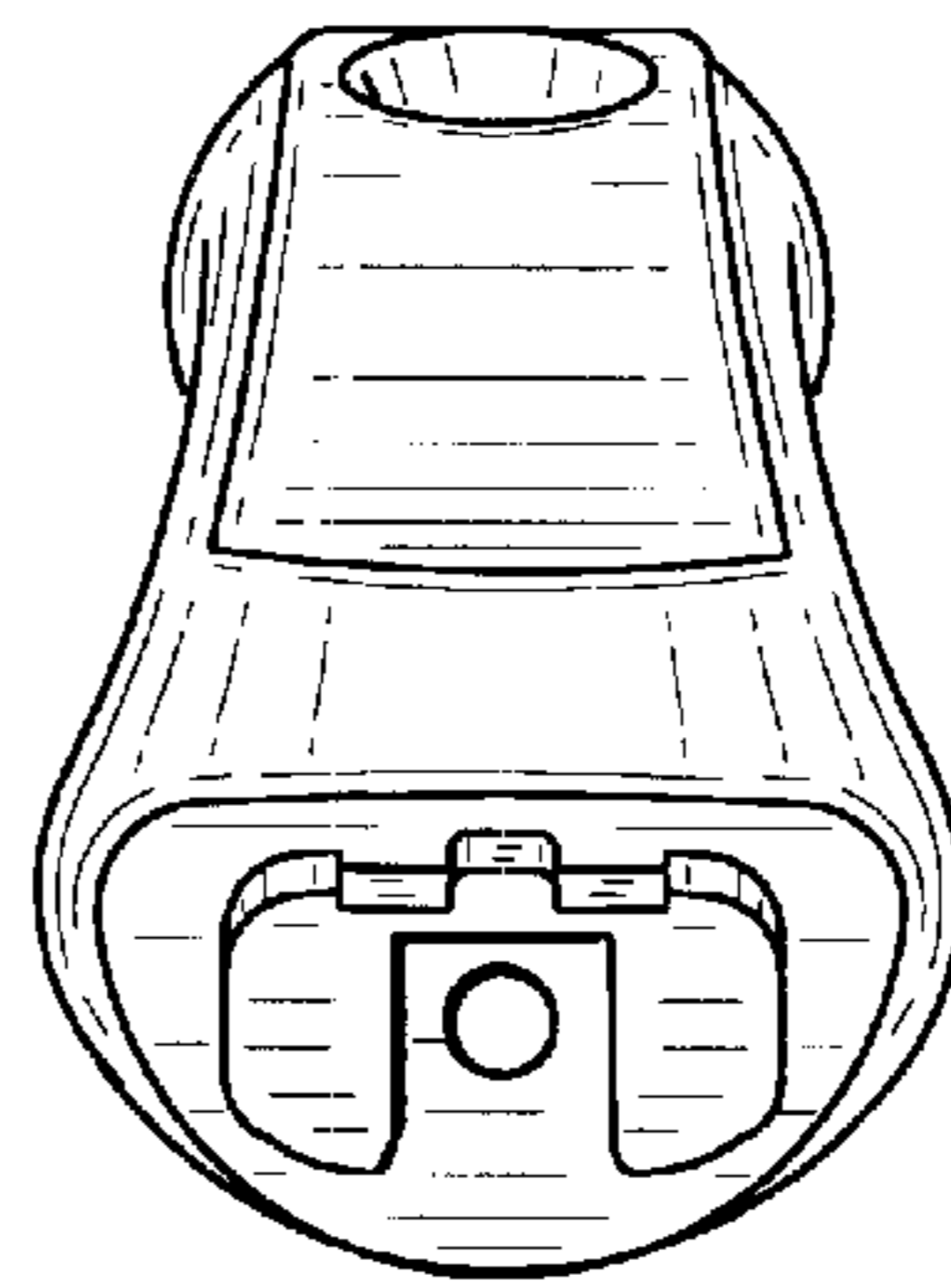


FIG. 5

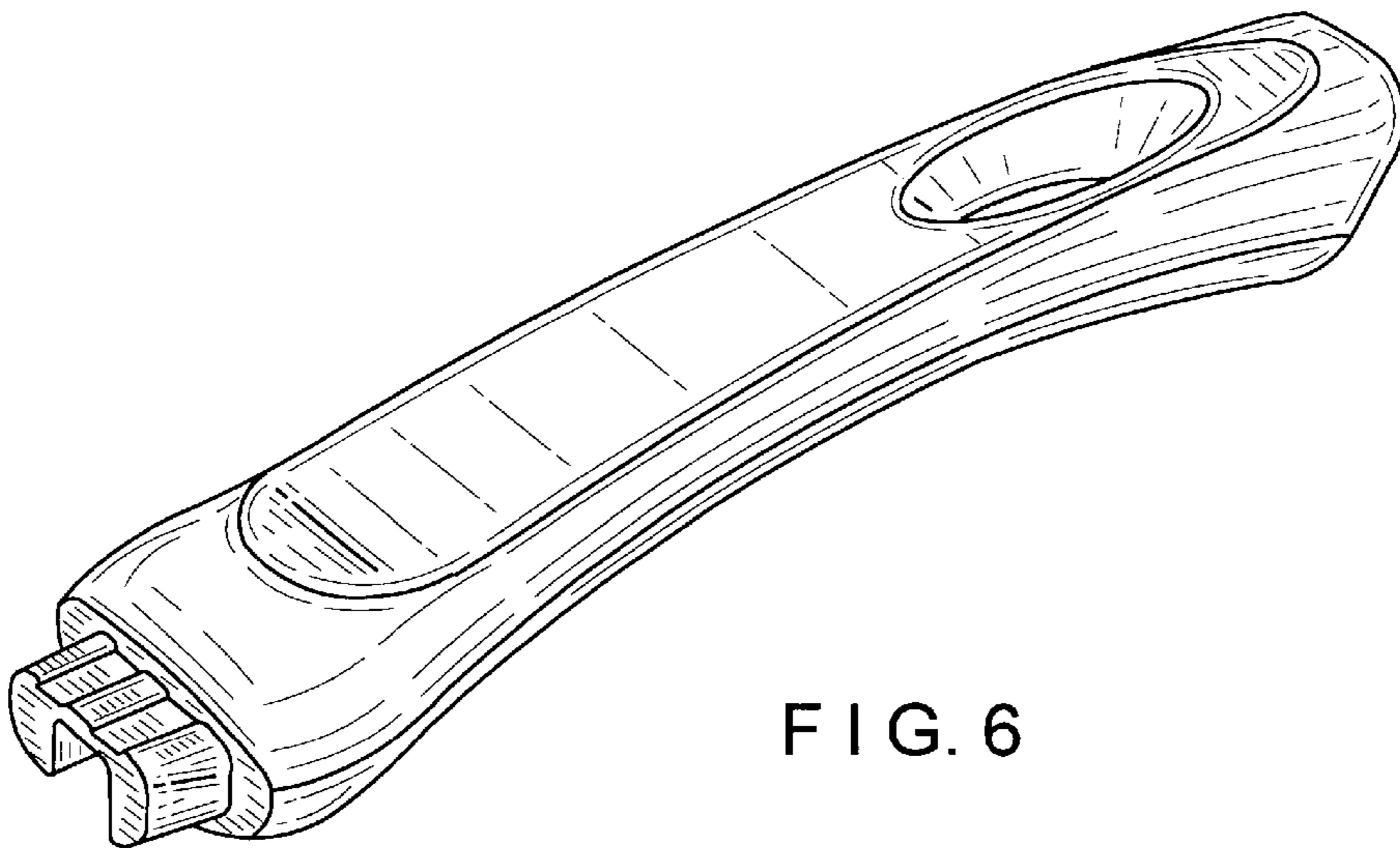


FIG. 6

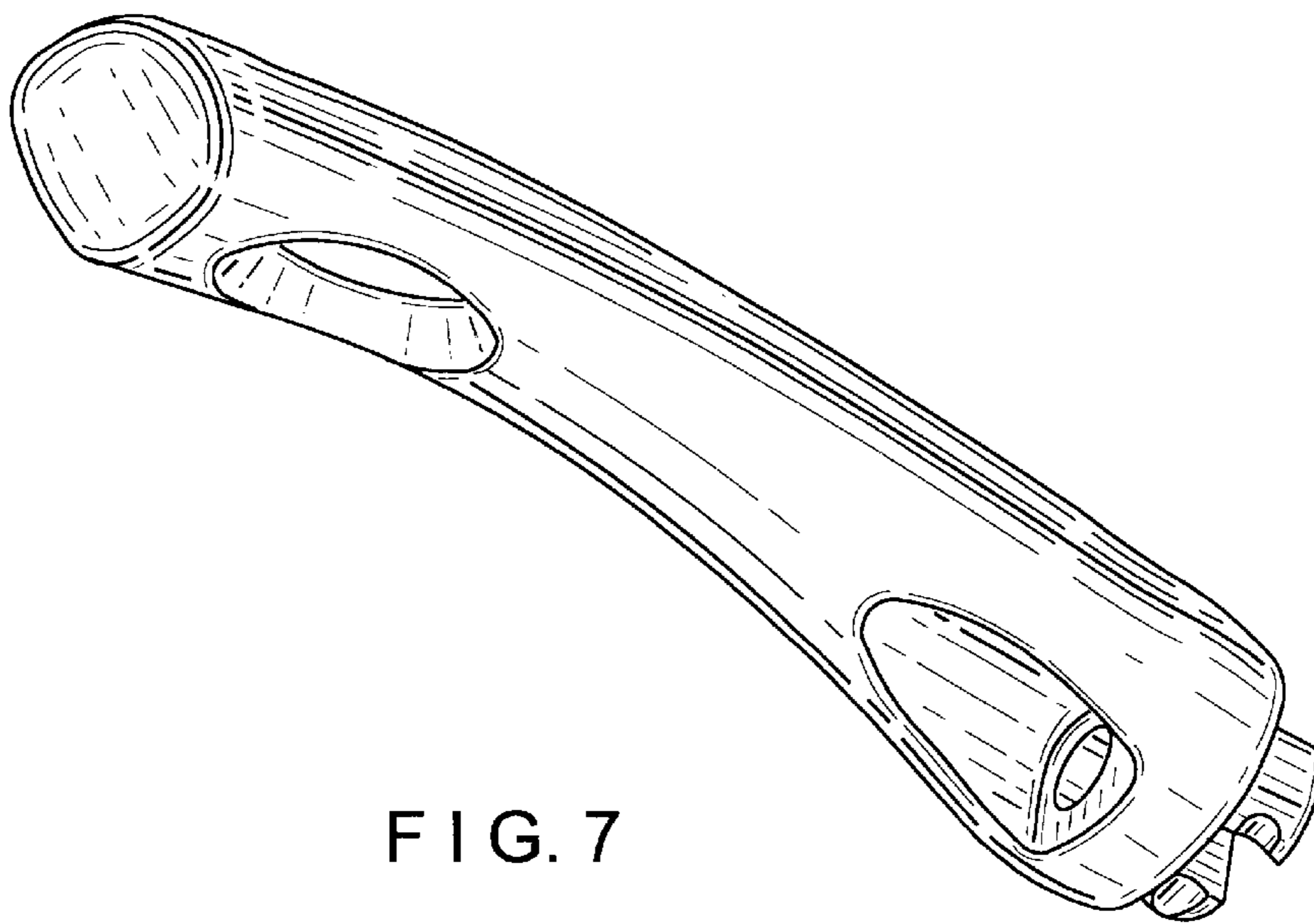


FIG. 7

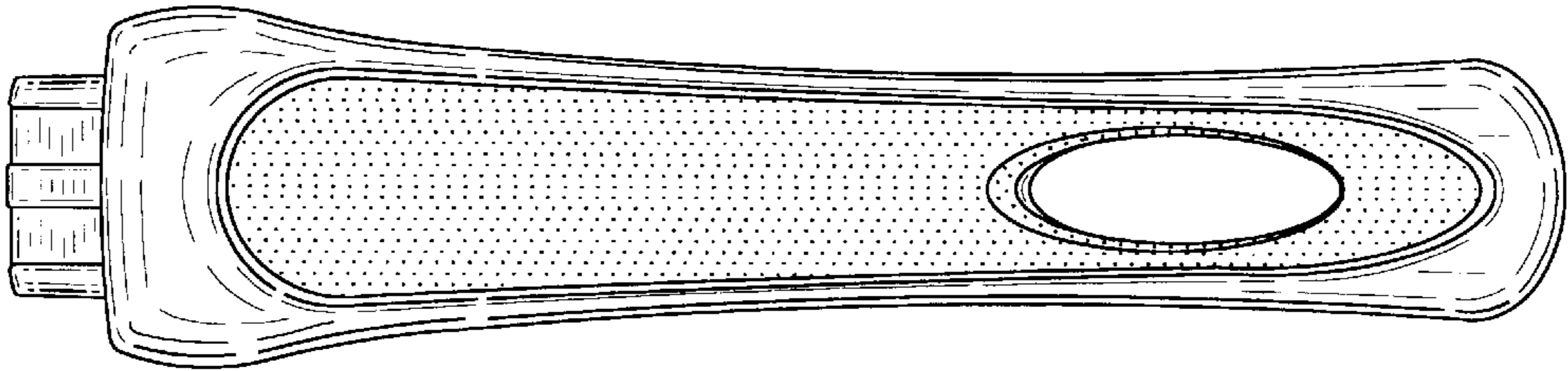


FIG. 8

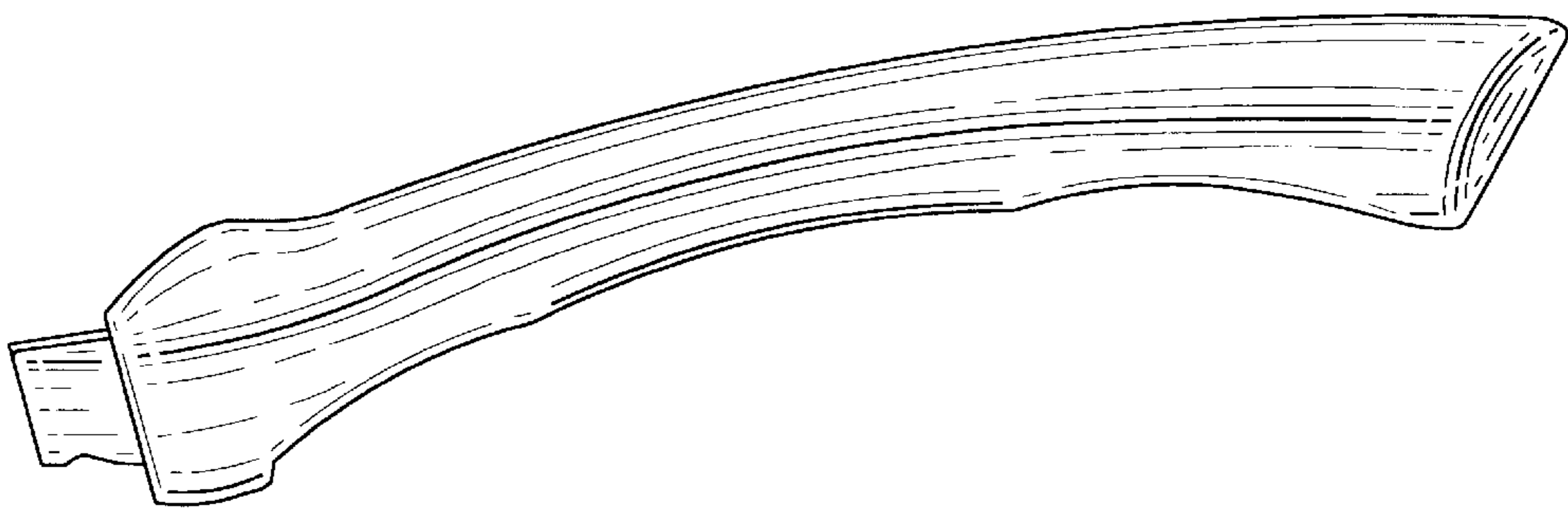


FIG. 9

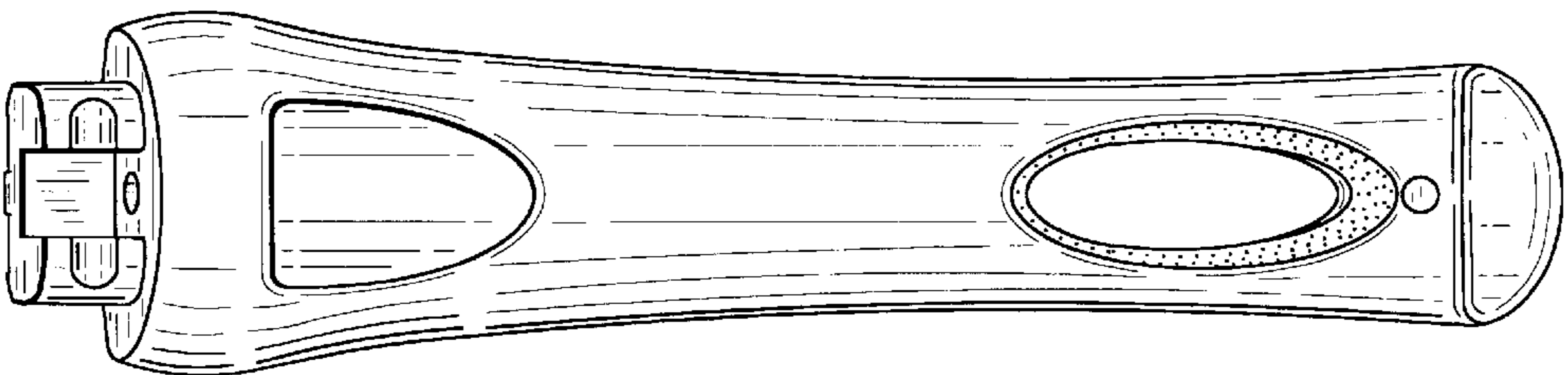


FIG. 10



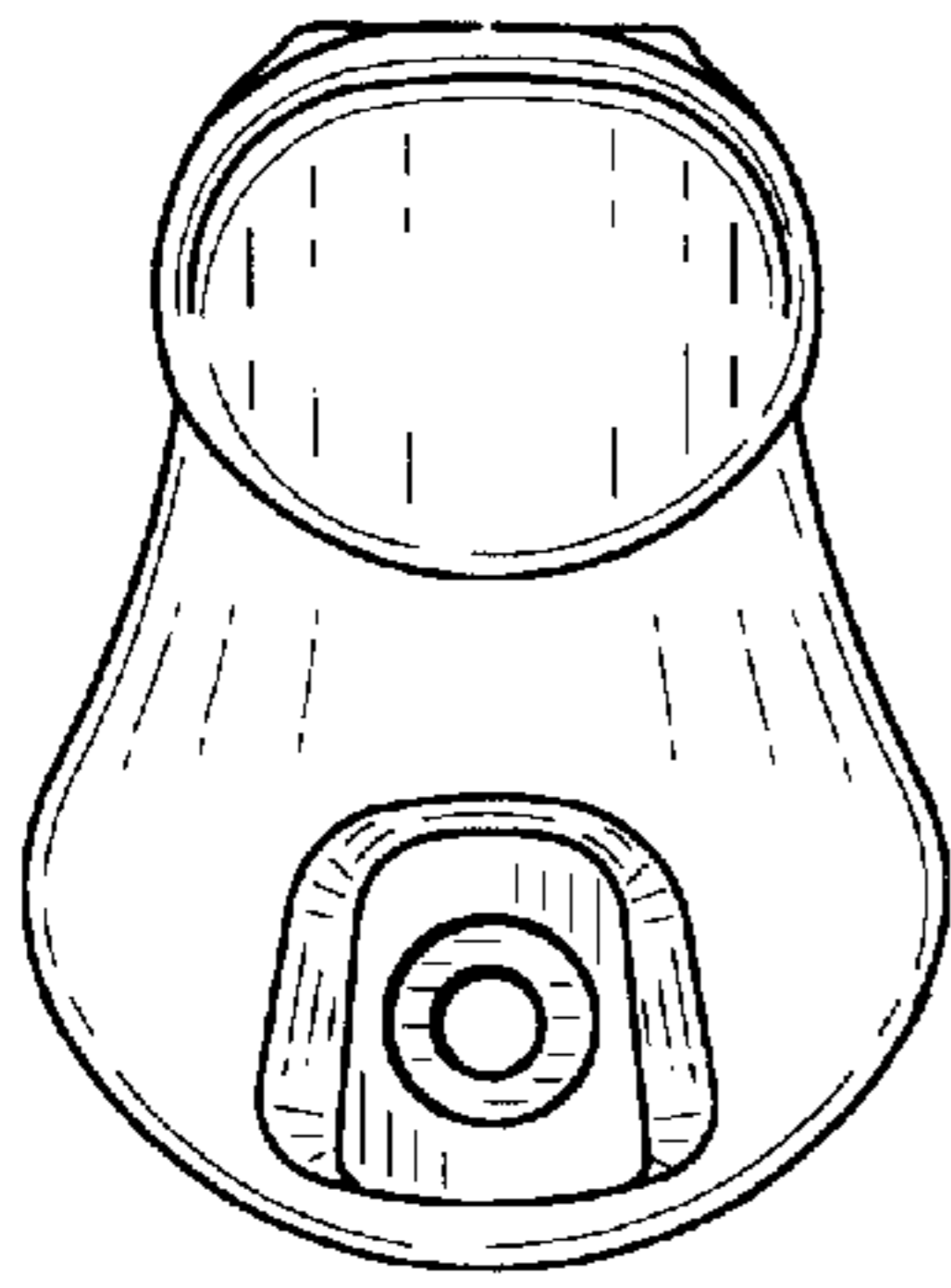


FIG. 11

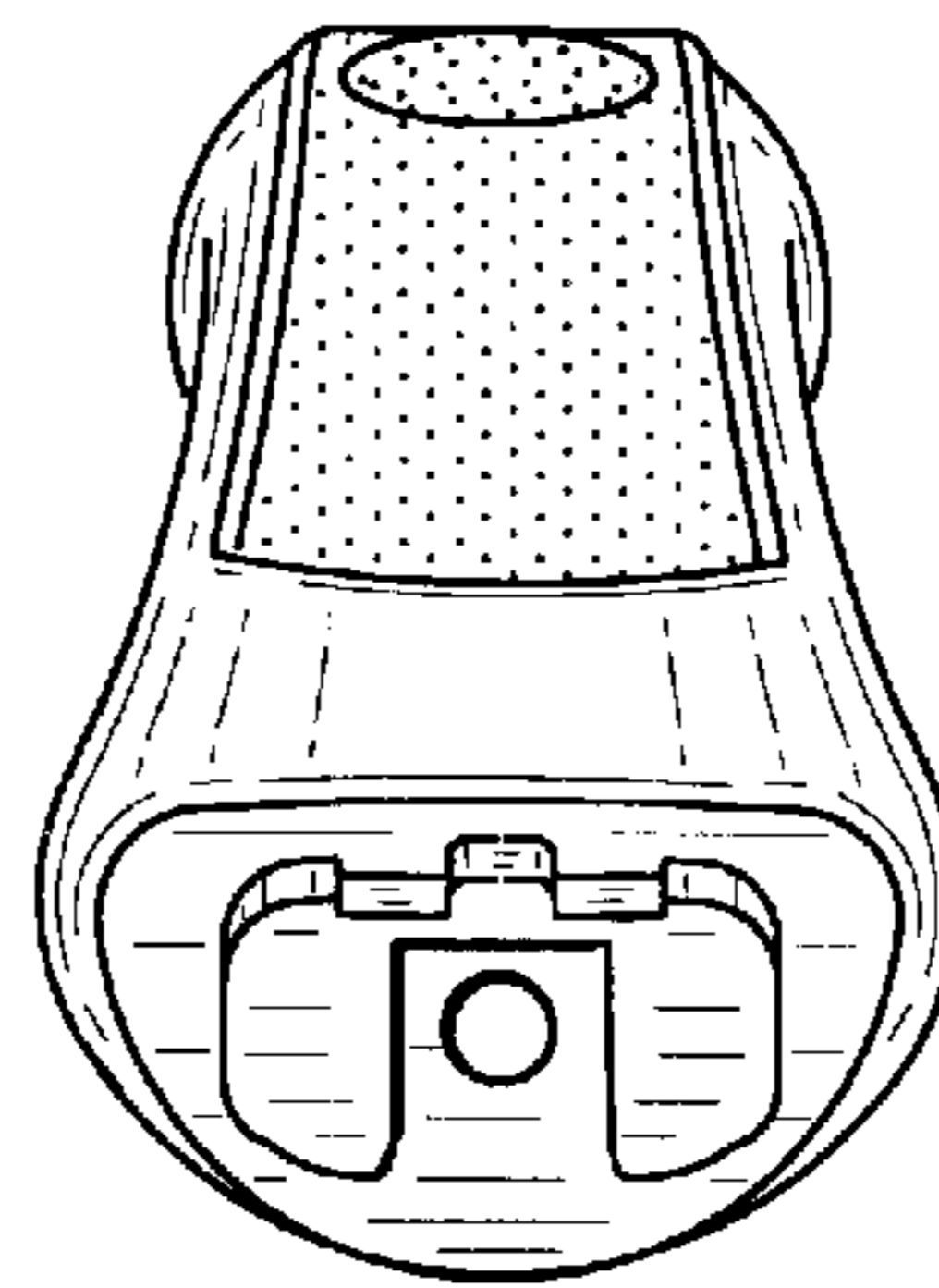


FIG. 12

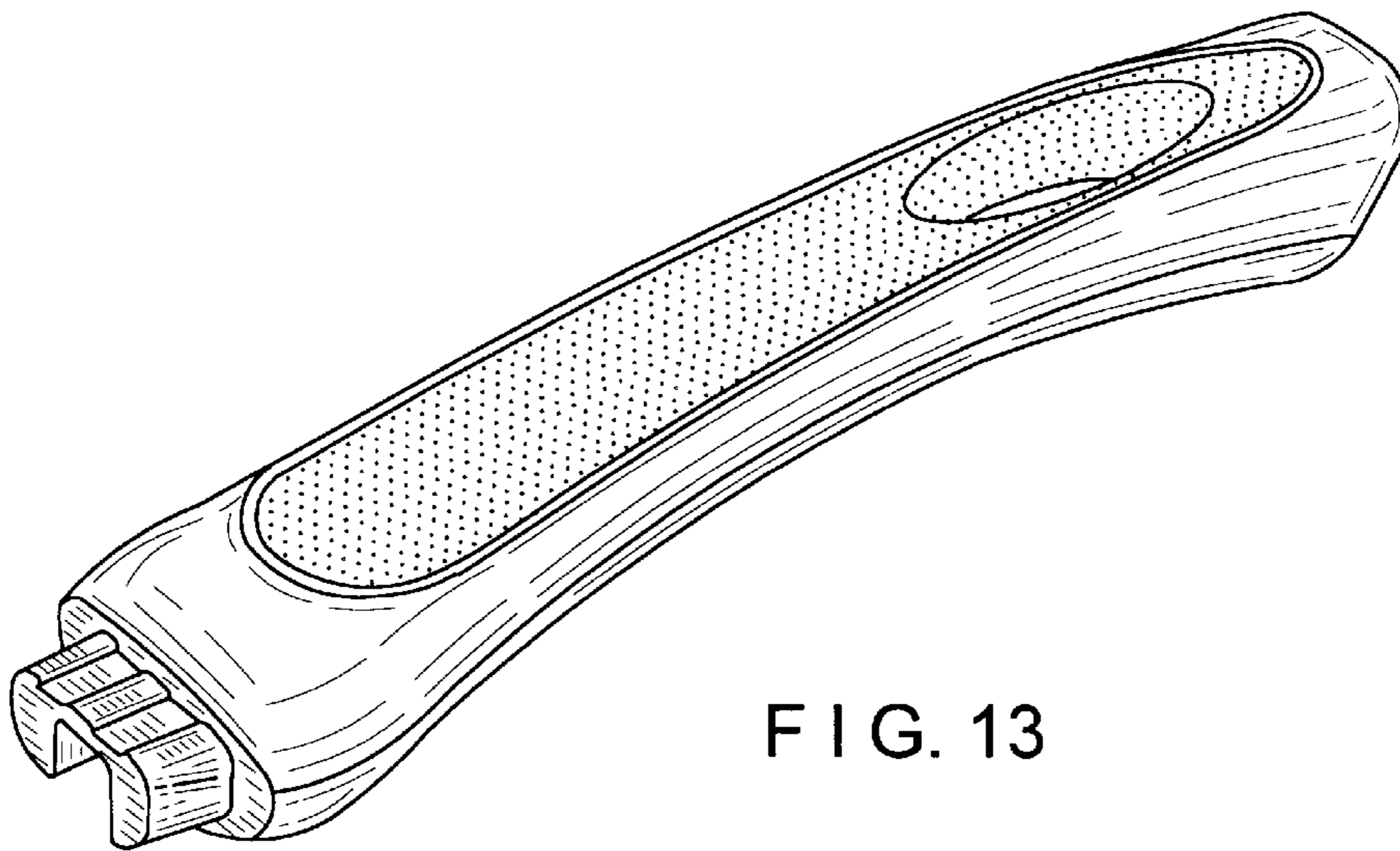


FIG. 13

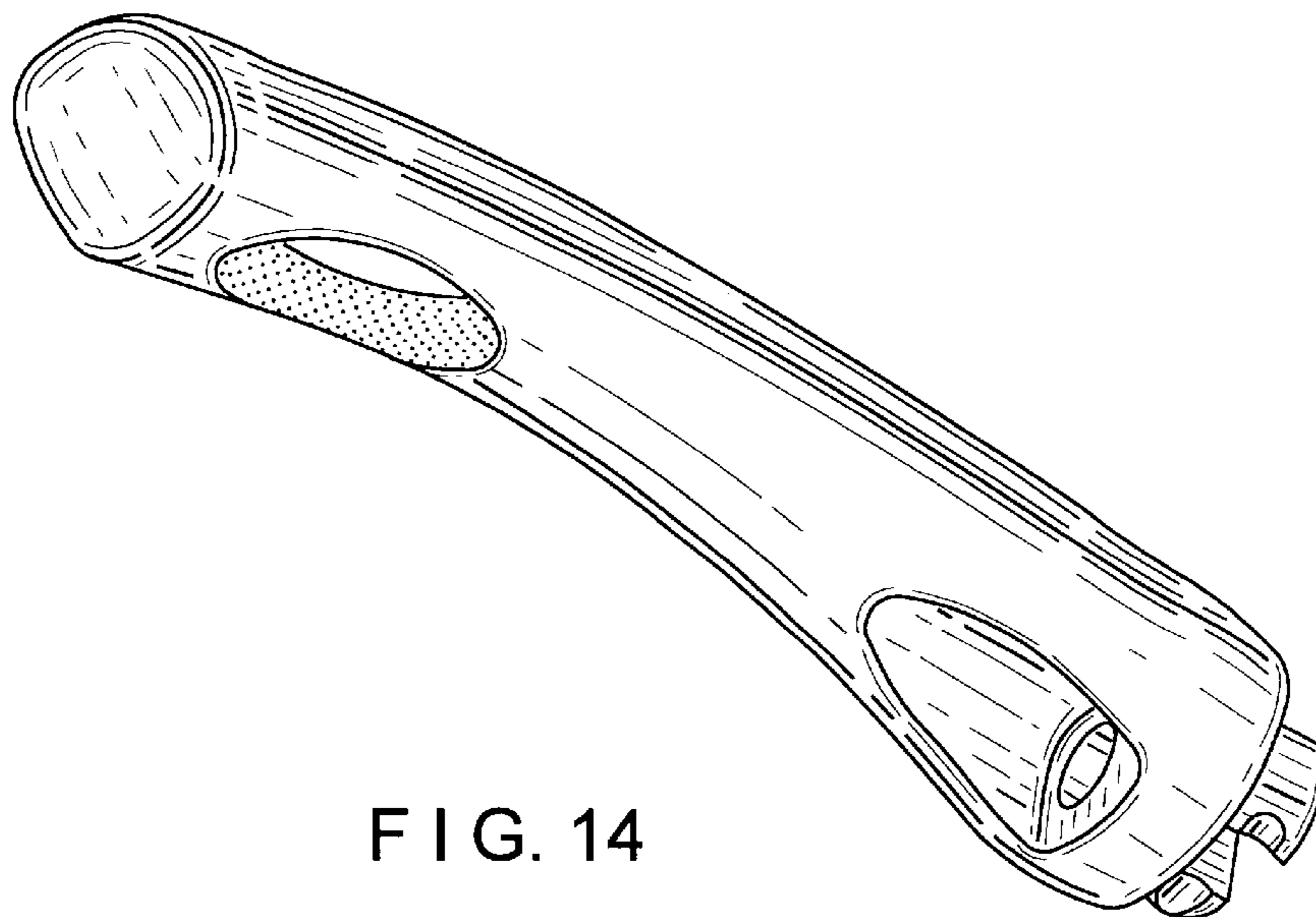


FIG. 14