



US00D483988S

(12) **United States Design Patent** (10) **Patent No.:** **US D483,988 S**
Kipperman et al. (45) **Date of Patent:** **** Dec. 23, 2003**

(54) **COMBINATION CLOSURE AND SCOOP**

(75) Inventors: **Stuart R. Kipperman**, Evansville, IN (US); **Hagins Fugate**, Newburgh, IN (US); **Joseph M. Paul**, Northfield, CT (US); **George Nukuto**, Des Plaines, IL (US)

(73) Assignee: **Bristol-Myers Squibb Company**, Princeton, NJ (US)

(**) Term: **14 Years**

(21) Appl. No.: **29/171,559**

(22) Filed: **Nov. 25, 2002**

(51) **LOC (7) Cl.** **07-01**

(52) **U.S. Cl.** **D7/391**

(58) **Field of Search** D7/391-392.1, D7/601, 602, 629, 538-542; D9/414, 424, 425, 430-432; 206/229, 541, 542; 220/574, 574.1, 735, 669-676, 780-799; 229/401

(56) **References Cited**

U.S. PATENT DOCUMENTS

1,514,379 A	11/1924	Fleischer	
1,607,865 A	11/1926	Butler	
1,703,185 A	2/1929	White	
1,768,771 A	7/1930	La Tourrette	
1,853,852 A	4/1932	Estes	
2,738,900 A	3/1956	Wenger	222/114
2,921,707 A	1/1960	Sloan	215/37
2,978,142 A	4/1961	Novick	220/97
3,001,404 A	9/1961	McDonnell, Jr. et al.	73/426
3,401,825 A	9/1968	Weiss	220/60
3,448,888 A	6/1969	Smith et al.	220/60
3,679,093 A	7/1972	Chang	220/90.2
3,722,779 A	3/1973	Chang	229/1.5 C
3,874,554 A	4/1975	Chang	220/90.2
3,955,742 A	5/1976	Marshall et al.	229/1.5 C
4,036,398 A	7/1977	Hoogvelt et al.	220/270
4,095,716 A	6/1978	Meany	215/100 R
D261,234 S	10/1981	Abraham	D9/432
4,300,700 A	11/1981	Chang	220/257
4,432,466 A	2/1984	Allen	220/276

4,685,582 A	8/1987	Pulciani et al.	220/66
4,844,263 A	7/1989	Hadtke	206/508
D308,941 S	7/1990	Kong	D9/416
5,009,310 A	4/1991	Flaney	206/229
5,042,712 A	8/1991	DeRoseau	229/1.5 C
5,054,642 A	10/1991	Yoshida	220/276
5,090,572 A	2/1992	DeRoseau	206/542
5,312,011 A	5/1994	Fischer	220/528
5,347,865 A	9/1994	Mulry et al.	73/427
5,392,945 A	2/1995	Syrek	220/608
5,409,126 A	4/1995	DeMars	220/4.27
5,409,128 A	4/1995	Mitchell	220/23.4
5,415,309 A	5/1995	Wang	220/4.27
5,507,389 A	4/1996	Syrek	206/508
D371,962 S	7/1996	Petruzzi	D9/423
5,647,413 A	7/1997	Horrell	141/108
5,695,084 A	12/1997	Chmela et al.	220/212

(List continued on next page.)

Primary Examiner—Terry A. Wallace

(74) *Attorney, Agent, or Firm*—Nelson Mullins Riley & Scarborough, LLP

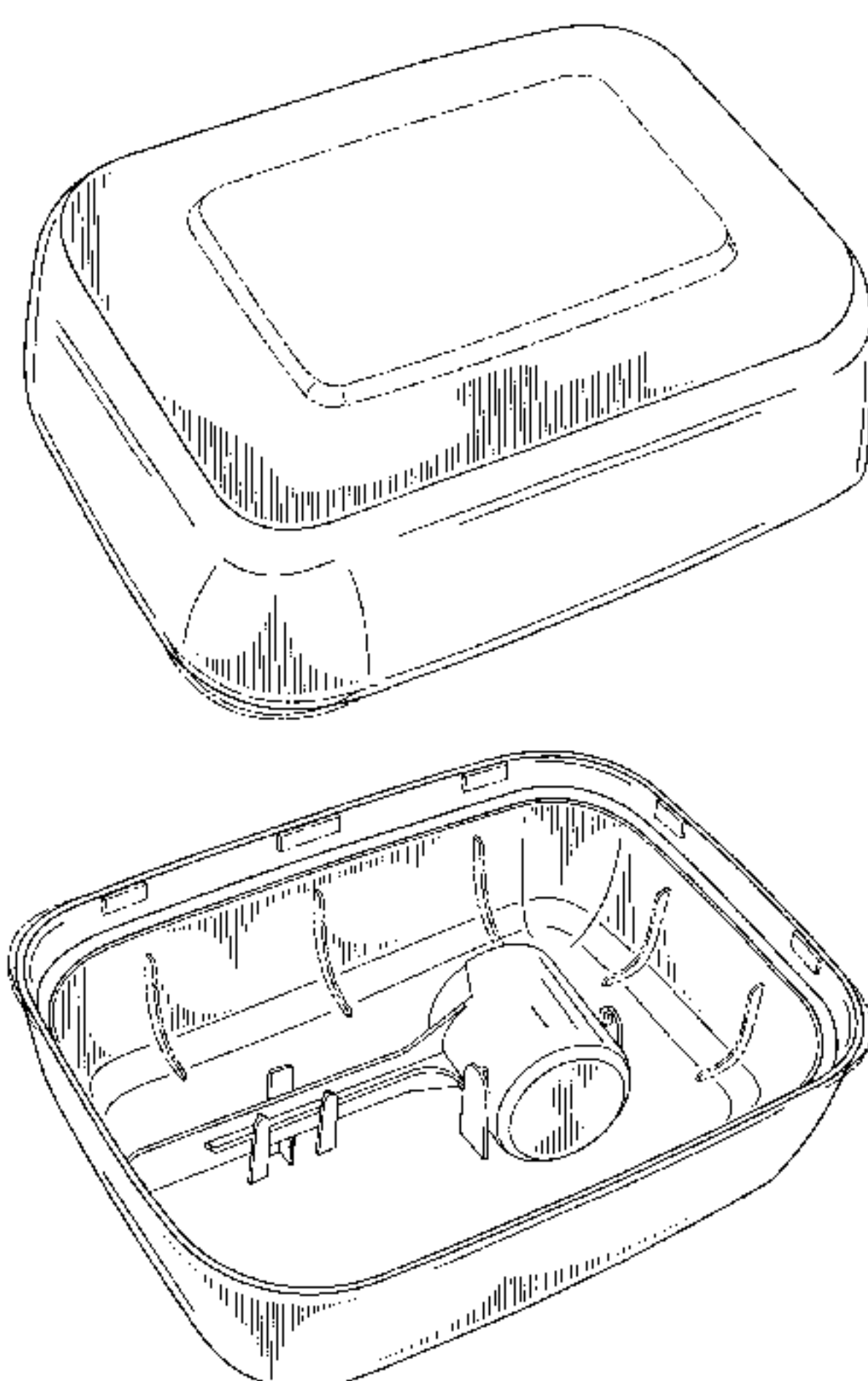
(57) **CLAIM**

The ornamental design of a combination closure and scoop, substantially as shown and described.

DESCRIPTION

FIG. 1 is a perspective view of a combination closure and scoop embodying the design of the present invention; FIG. 2 is a perspective view of the combination closure and scoop illustrated in FIG. 1, the closure being in the inverted position; FIG. 3 is a top plan view of the combination closure and scoop illustrated in FIG. 1; FIG. 4 is a front elevational view of the combination closure and scoop illustrated in FIG. 1, the rear view being a mirror image of the front view; and, FIG. 5 is a right side elevational view of the combination closure and scoop illustrated in FIG. 1, the left side view being a mirror image of the right side view. The broken lines are for illustrative purposes and form no part of the claim.

1 Claim, 2 Drawing Sheets



US D483,988 S

Page 2

U.S. PATENT DOCUMENTS			
5,699,925 A	12/1997	Petruzzi	220/4.27
5,705,212 A	1/1998	Atkinson	416/115
5,706,974 A	1/1998	Murdick et al.	220/735
5,740,914 A	4/1998	Herzog	206/501
5,775,531 A	7/1998	Lowry	220/212.5
5,799,792 A	9/1998	Abrums	206/508
D416,438 S	11/1999	Molo	D7/392
6,021,903 A	2/2000	Hanson	206/541
D459,124 S	6/2002	Le et al.	D6/518

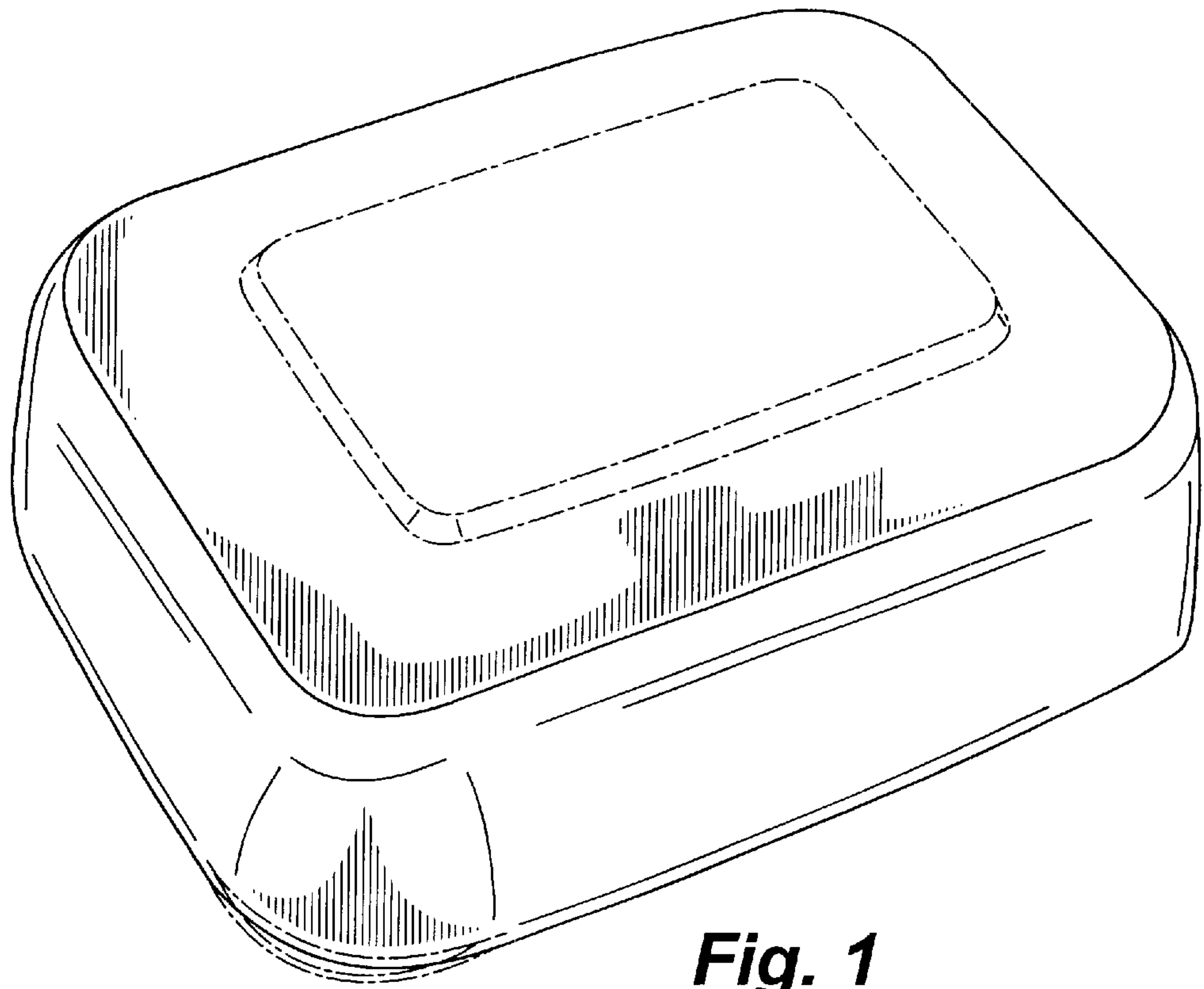


Fig. 1

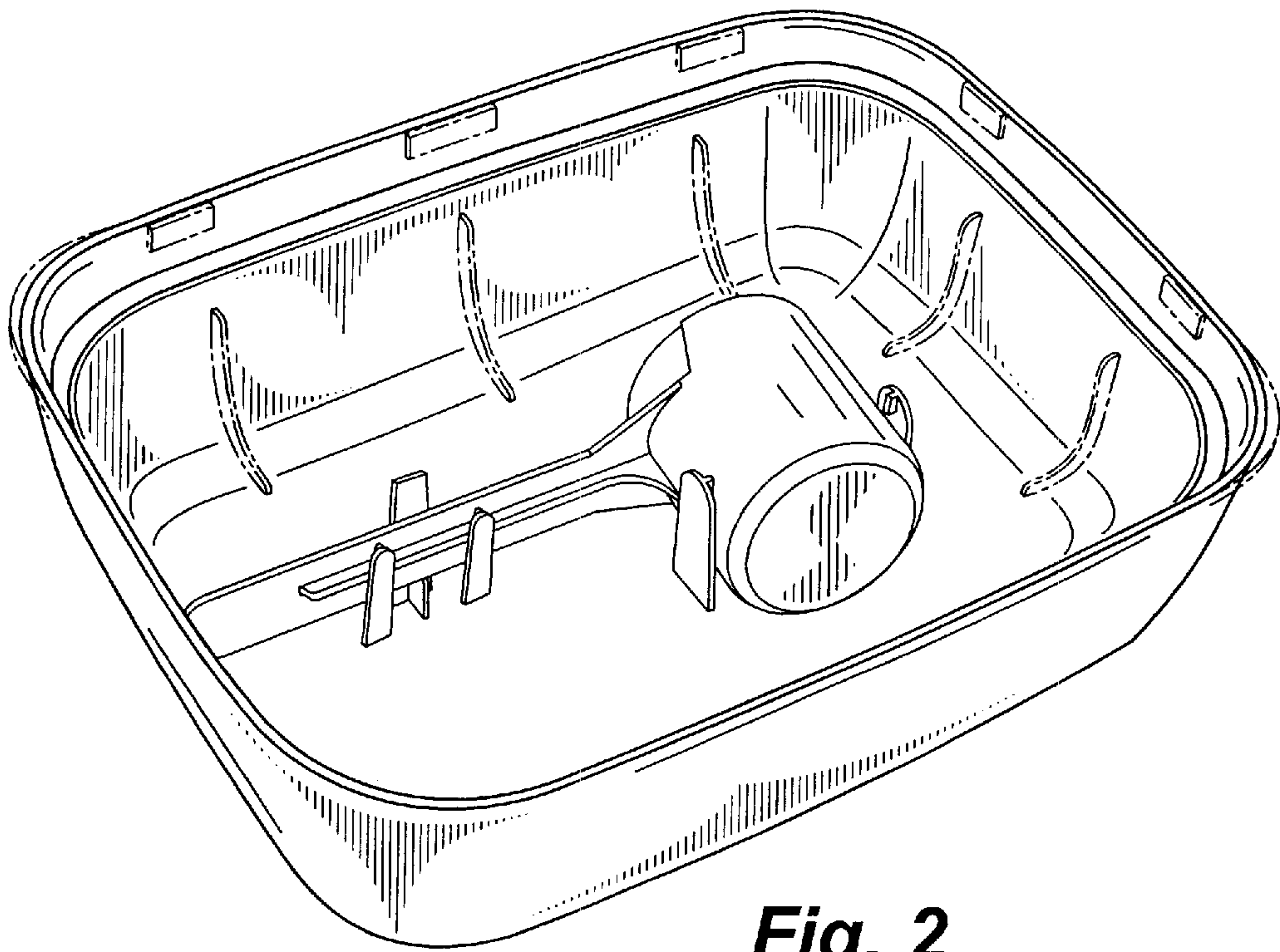


Fig. 2

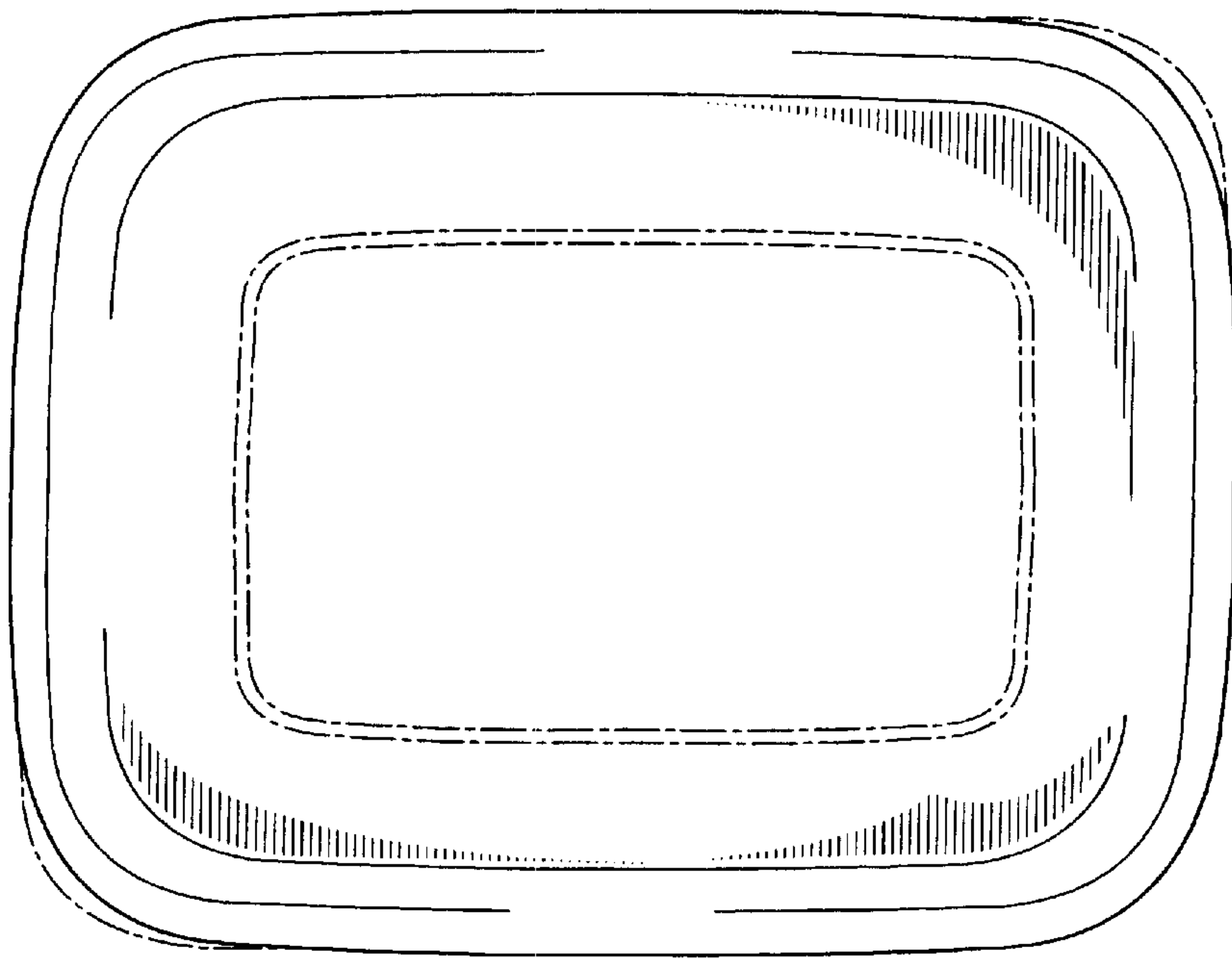


Fig. 3

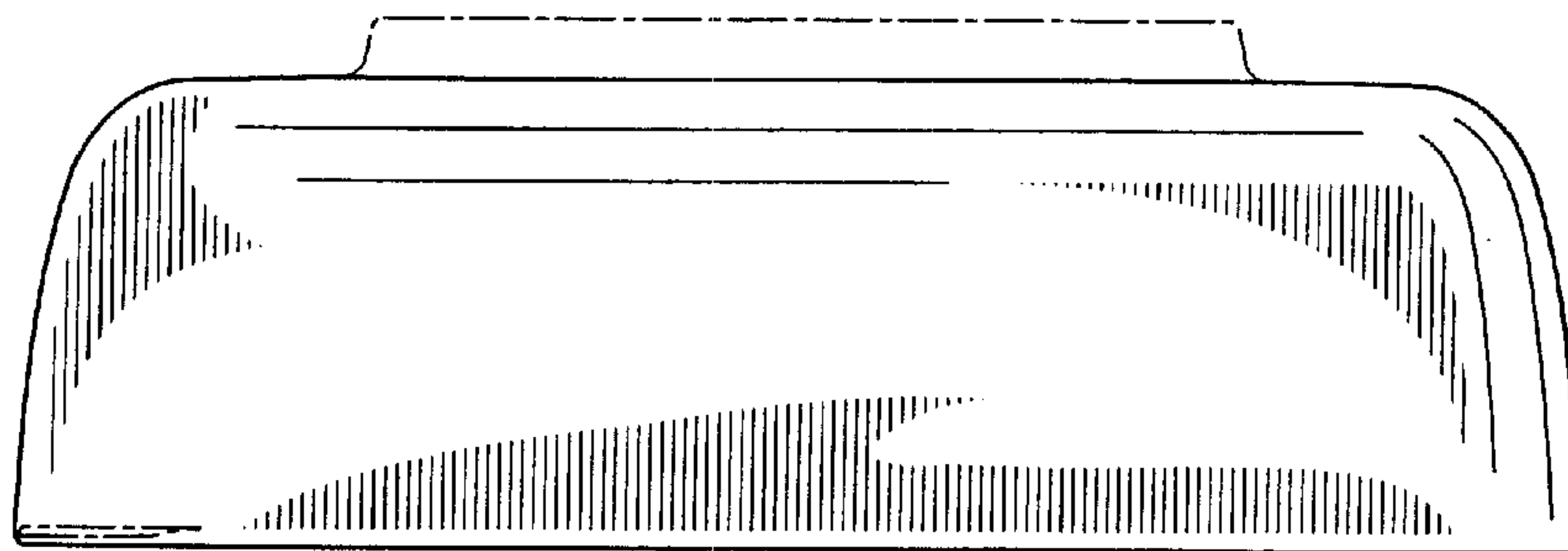


Fig. 4

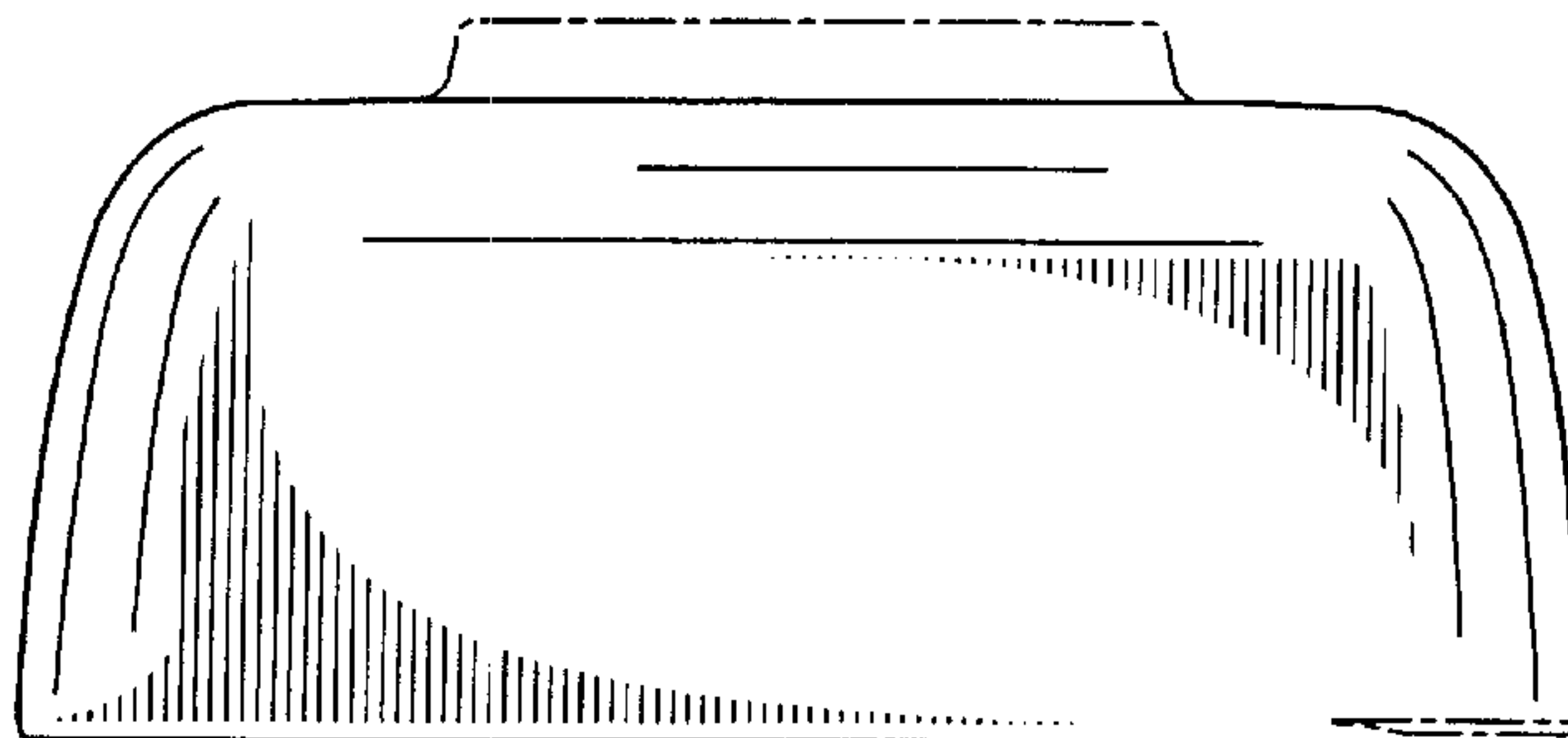


Fig. 5