



US00D483987S

(12) **United States Design Patent**
Mauch

(10) **Patent No.:** **US D483,987 S**

(45) **Date of Patent:** **** Dec. 23, 2003**

(54) **FOOD PROCESSOR**

D457,380 S * 5/2002 Mauch D7/384
D457,381 S * 5/2002 Brady D7/384

(75) Inventor: **Jeffrey T. Mauch**, Mechanicsville, VA
(US)

* cited by examiner

(73) Assignee: **Hamilton Beach/Proctor-Silex, Inc.**,
Glen Allen, VA (US)

Primary Examiner—Caron D. Veynar
(74) *Attorney, Agent, or Firm*—Akin Gump Strauss Hauer
& Feld, L.L.P.

(**) Term: **14 Years**

(57) **CLAIM**

(21) Appl. No.: **29/173,614**

The ornamental design for a food processor, as shown and described.

(22) Filed: **Jan. 2, 2003**

(51) **LOC (7) Cl.** **31-00**

(52) **U.S. Cl.** **D7/384**

(58) **Field of Search** D7/376-386, 412-415;
99/485-513; 241/30-37.5, 101.01-101.8,
274-282, 100; 366/64-67, 129, 130, 197-207,
241-254, 349

DESCRIPTION

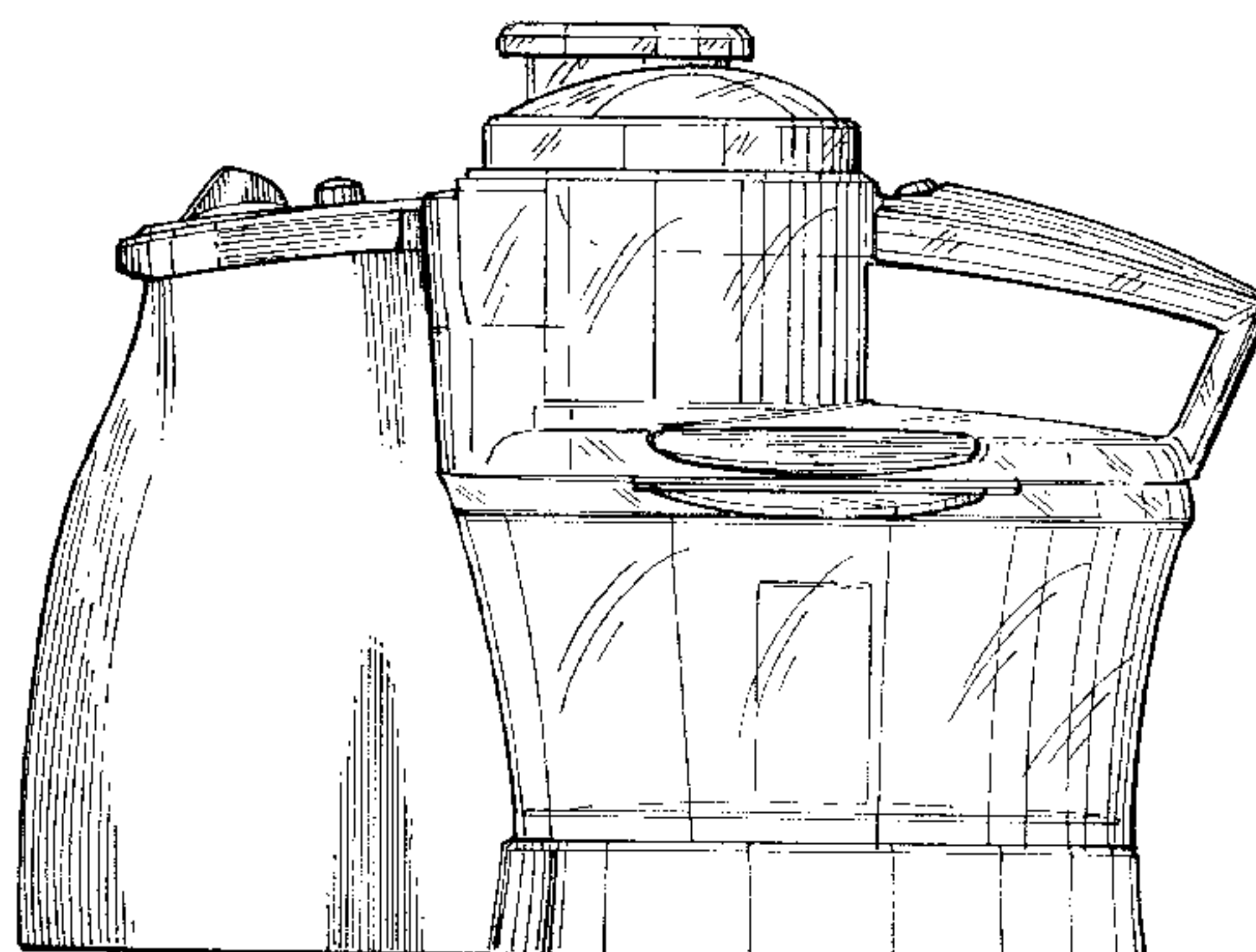
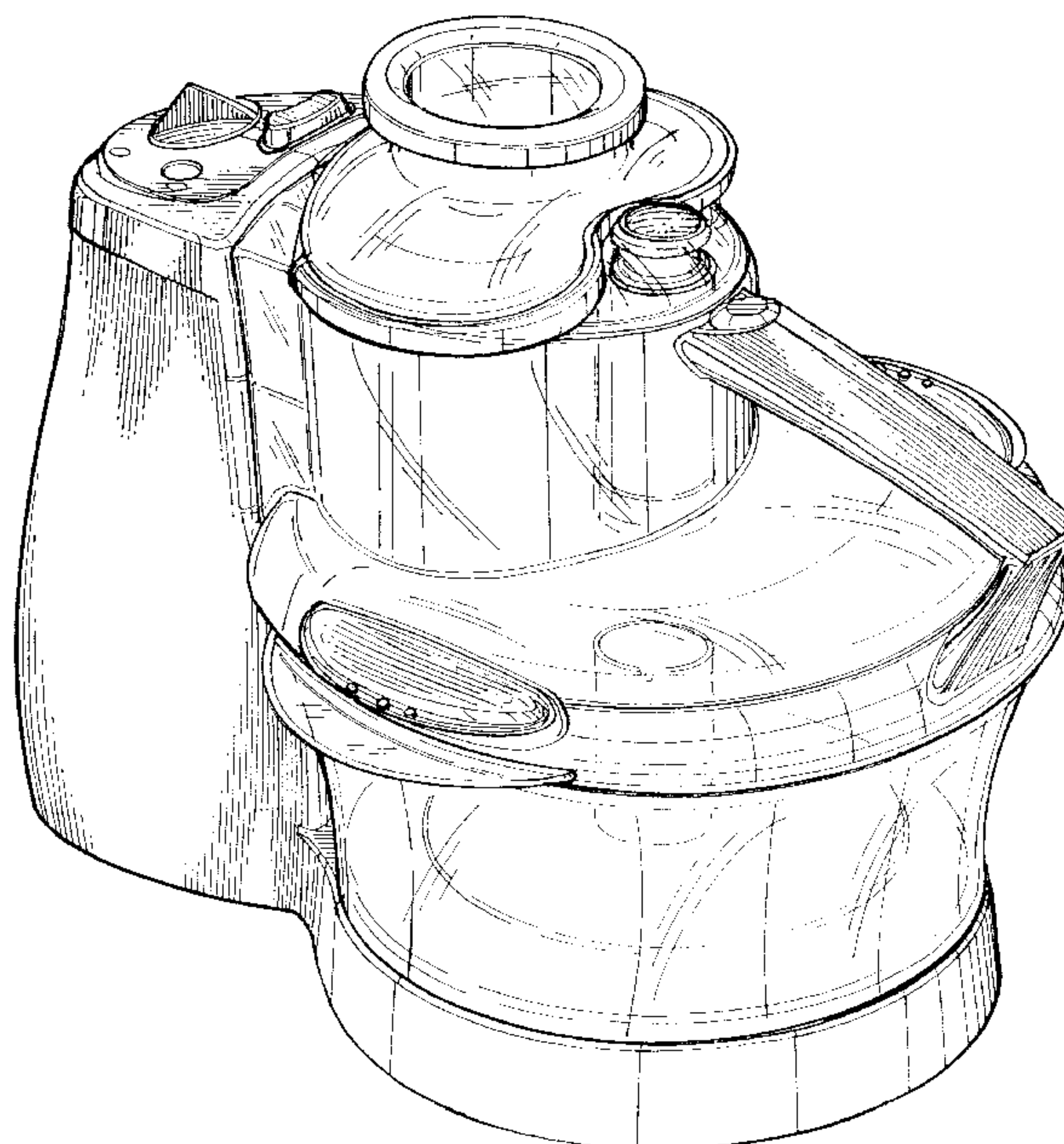
FIG. 1 is an upper front perspective view of a food processor in accordance with my new design;
FIG. 2 is a front elevational view thereof;
FIG. 3 is a rear elevational view thereof;
FIG. 4 is a right side elevational view thereof;
FIG. 5 is a left side elevational view thereof;
FIG. 6 is a top plan view thereof; and,
FIG. 7 is a bottom plan view thereof.

(56) **References Cited**

U.S. PATENT DOCUMENTS

D450,530 S * 11/2001 Mauch D7/384

1 Claim, 4 Drawing Sheets



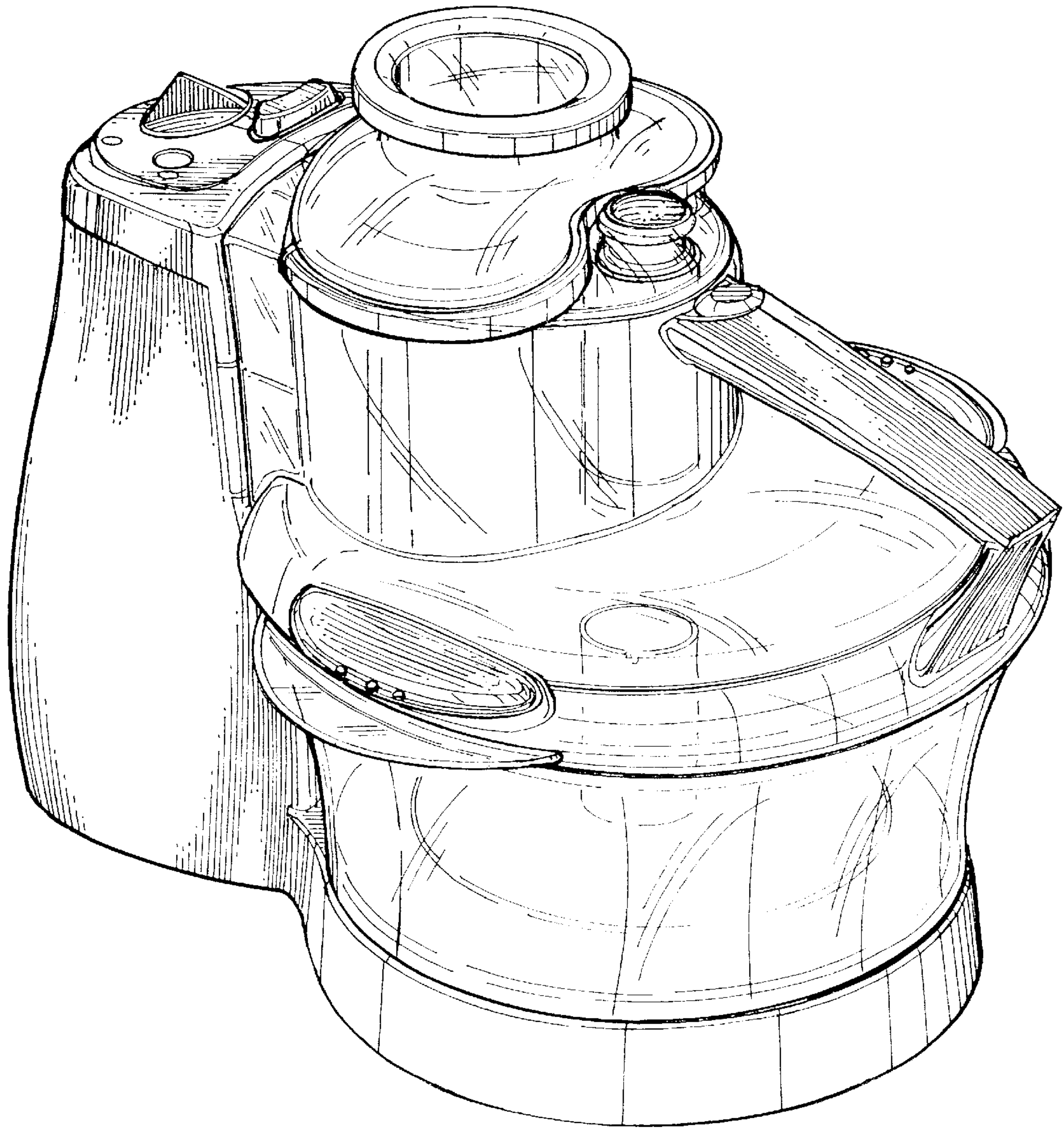


FIG. 1

FIG. 2

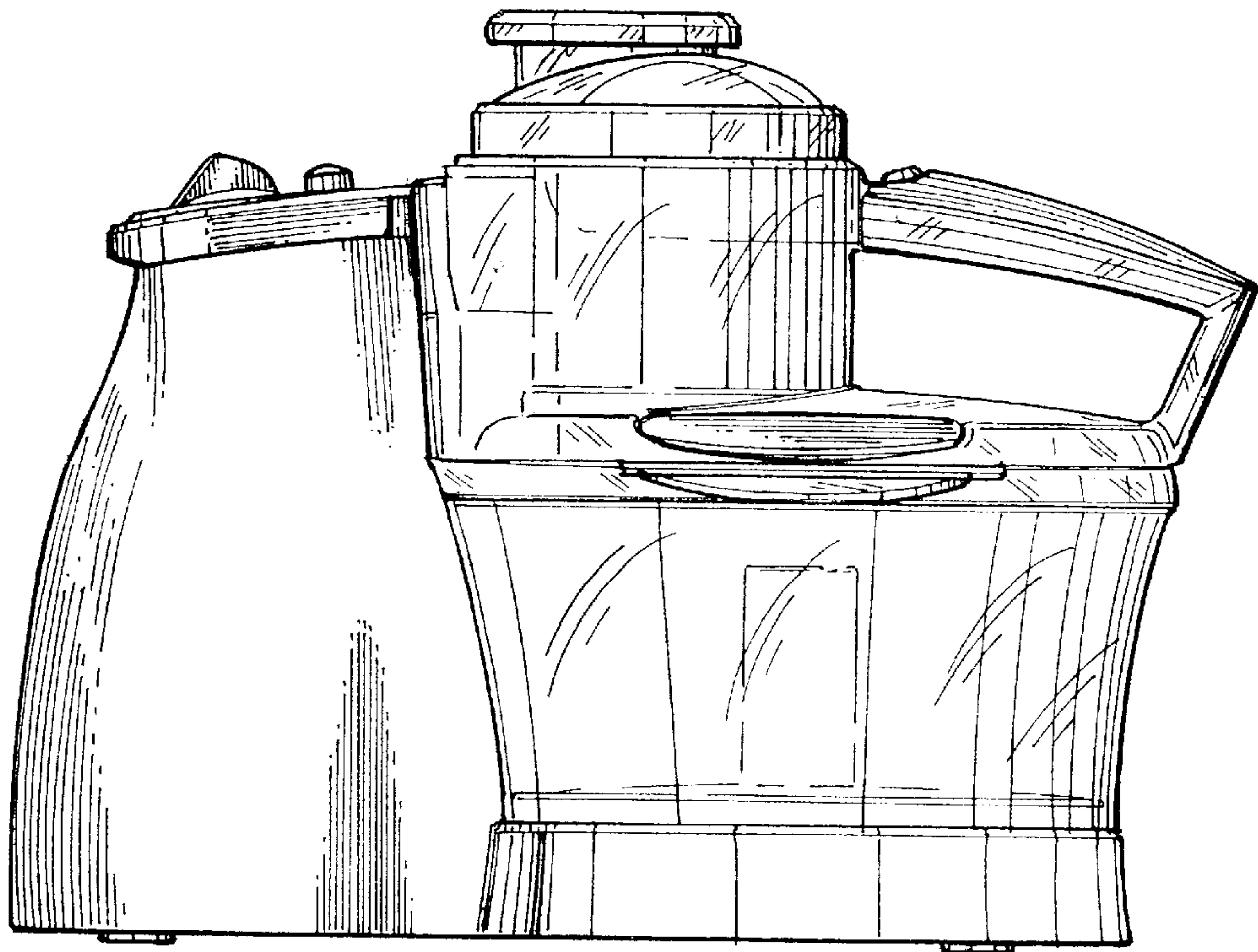
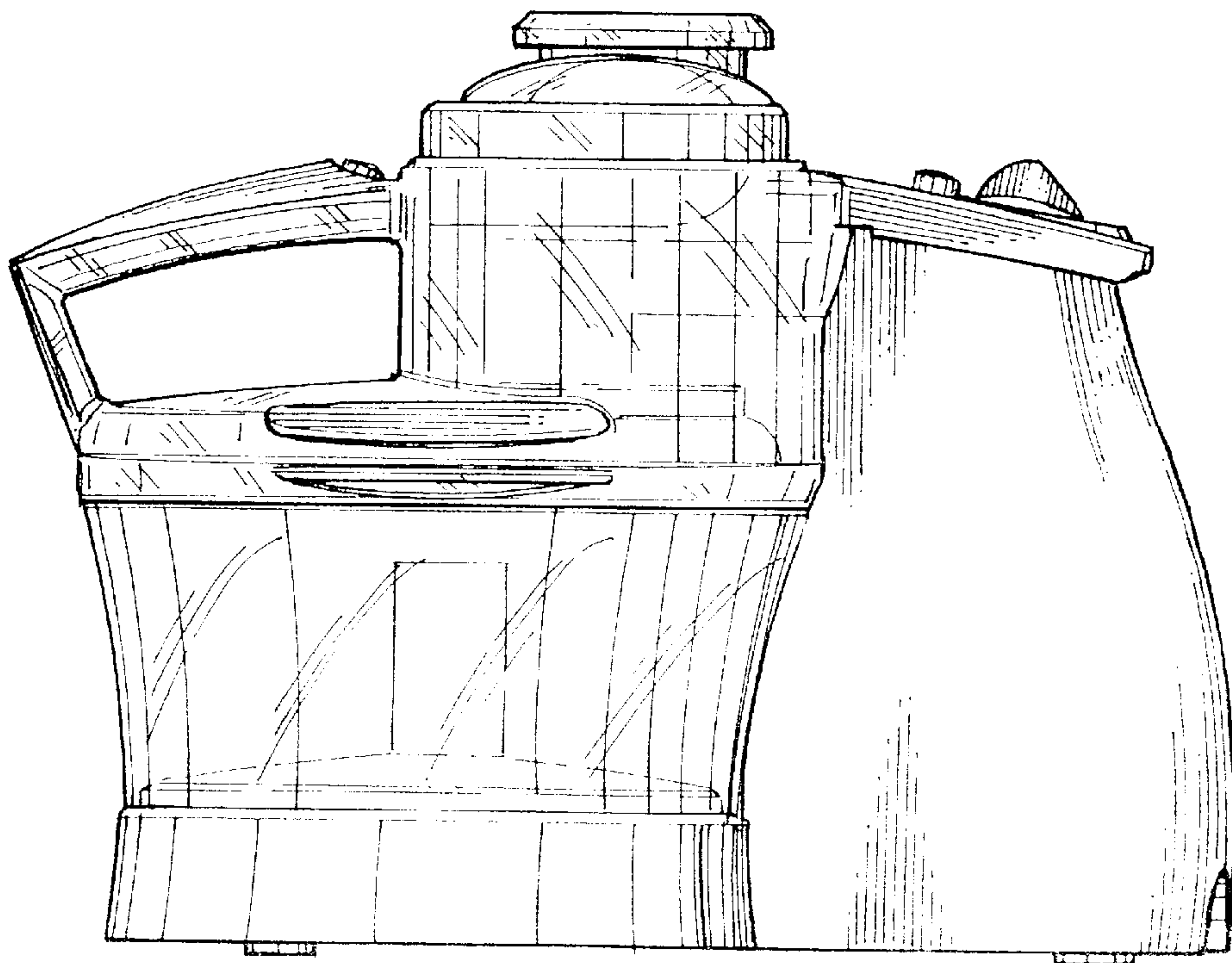


FIG. 3



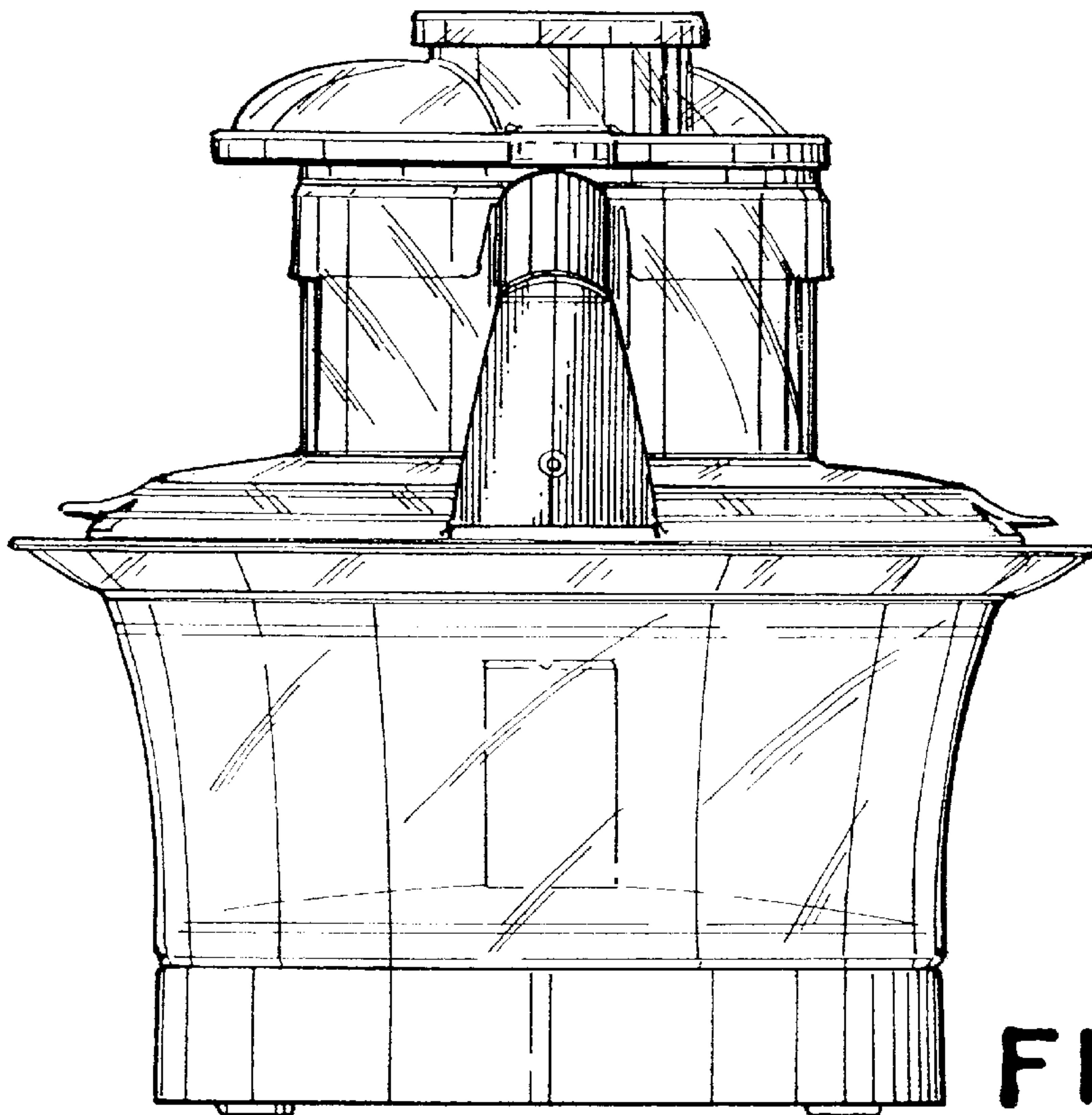


FIG. 4

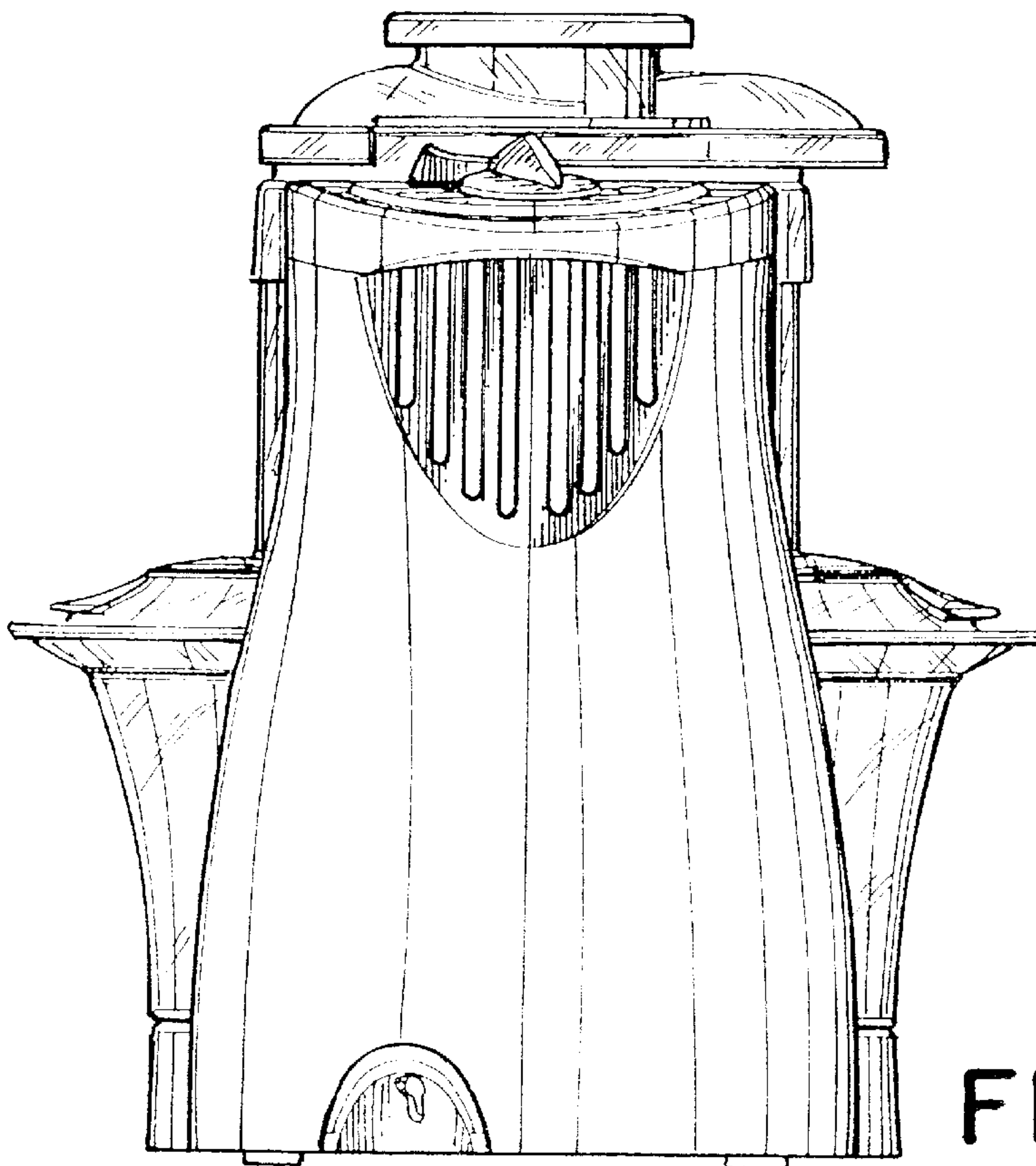


FIG. 5

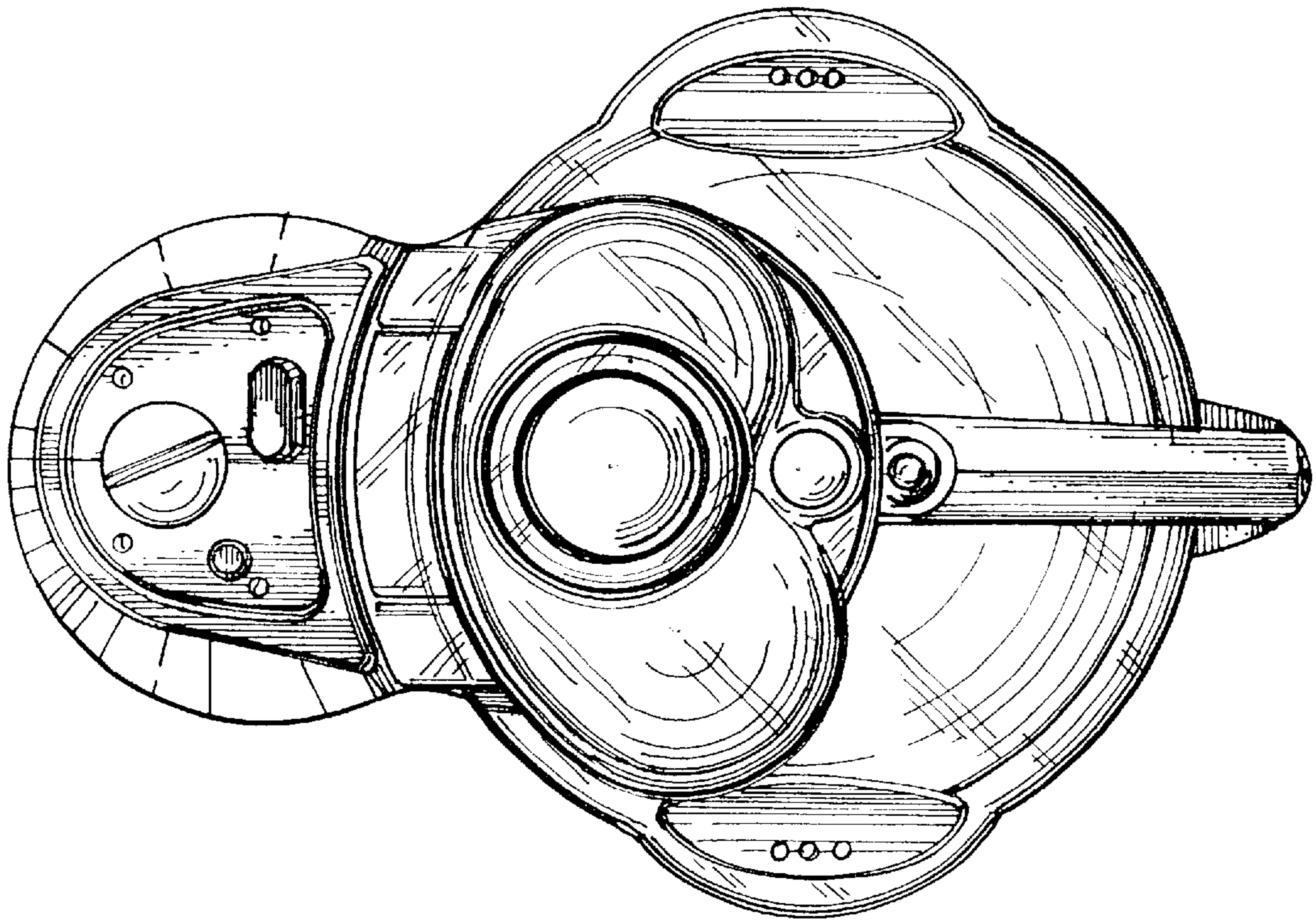


FIG. 6

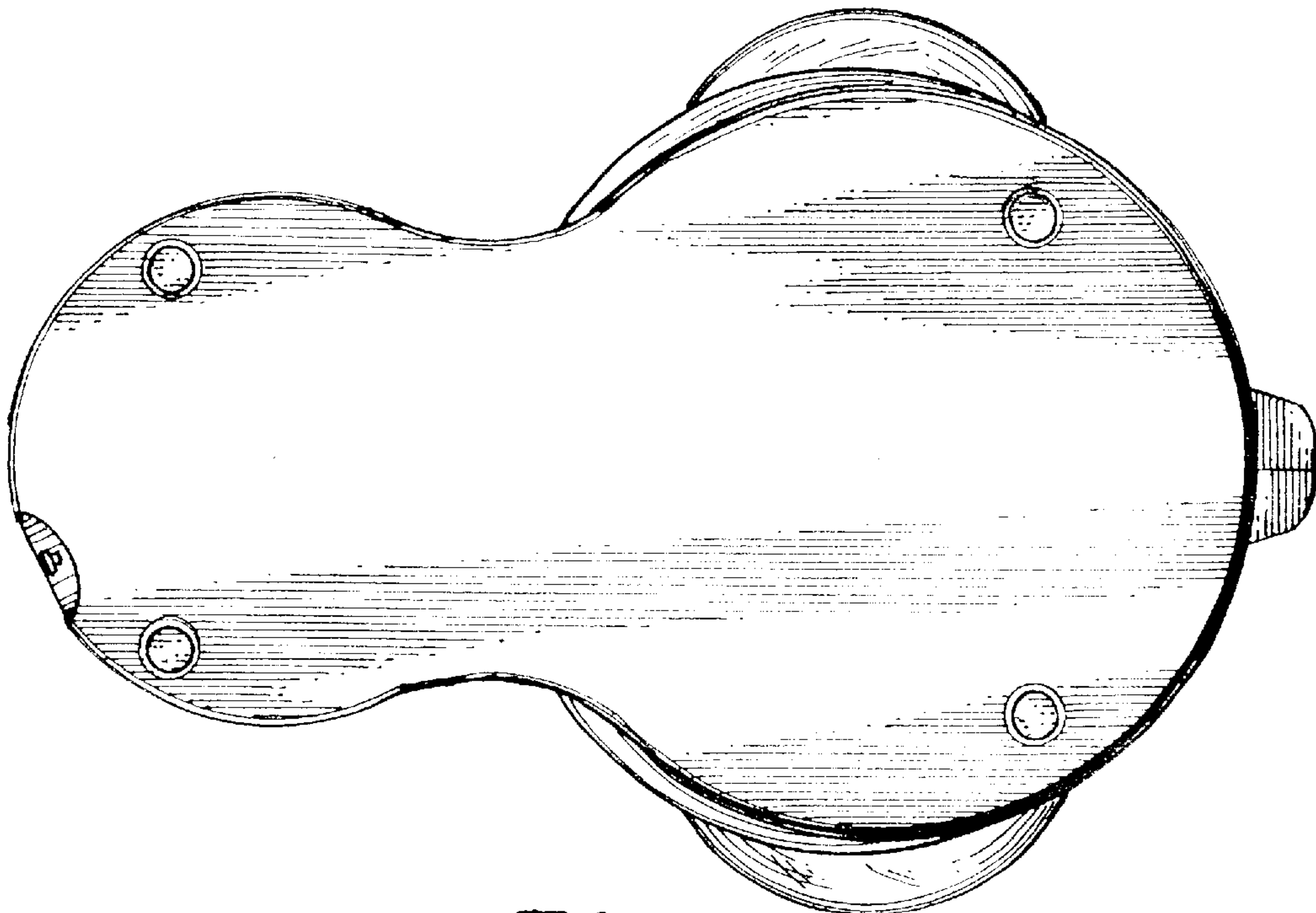


FIG. 7