



US00D483986S

(12) **United States Design Patent**
Boyle et al.

(10) **Patent No.:** **US D483,986 S**
(45) **Date of Patent:** **** Dec. 23, 2003**

(54) **STAND MIXER**

(75) Inventors: **Kenneth C. Boyle**, Newton, IA (US);
Annette D. Bravard, Pleasant Hill, IA
(US); **Rob P. Brueckner**, Johnston, IA
(US); **John C. Thomas**, Newton, IA
(US); **Keith J. Kresge**, Worthington,
OH (US); **Joshua D. Dickman**, Powell,
OH (US); **Brian K. Linstedt**,
Ostrander, OH (US)

(73) Assignee: **Maytag Corporation**, Newton, IA (US)

(**) Term: **14 Years**

(21) Appl. No.: **29/183,268**

(22) Filed: **Jun. 9, 2003**

(51) **LOC (7) Cl.** **31-00**

(52) **U.S. Cl.** **D7/379**

(58) **Field of Search** D7/376-386; 241/30,
241/33, 101.01-101.2; 366/197-207, 219-221,
241-254, 349

(56) **References Cited**

U.S. PATENT DOCUMENTS

2,372,862 A	*	4/1945	Strauss et al.	366/206
D162,875 S		4/1951	Polivka et al.		
D170,130 S	*	8/1953	Moore	D7/379
D189,936 S		3/1961	Grange		
D254,949 S		5/1980	Besford		
D284,633 S		7/1986	Viancin		
D286,258 S		10/1986	Grange		
D315,473 S		3/1991	Copland		

D322,010 S	12/1991	Doggett	
D378,560 S	3/1997	Myers et al.	
D436,497 S	1/2001	Nalbandian	
D438,752 S	3/2001	Po-Hei	
D471,399 S	* 3/2003	Wilson D7/379

OTHER PUBLICATIONS

Sears: Product Detail www.sears.com/sr/product/details/productdetails.jsp Kenmore 16 Speed Stand Mixer with Stainless Steel Bowl Site visited on Jul. 8, 2002.

* cited by examiner

Primary Examiner—Caron D. Veynar

(74) *Attorney, Agent, or Firm*—McKee, Voorhees & Sease, P.L.C.

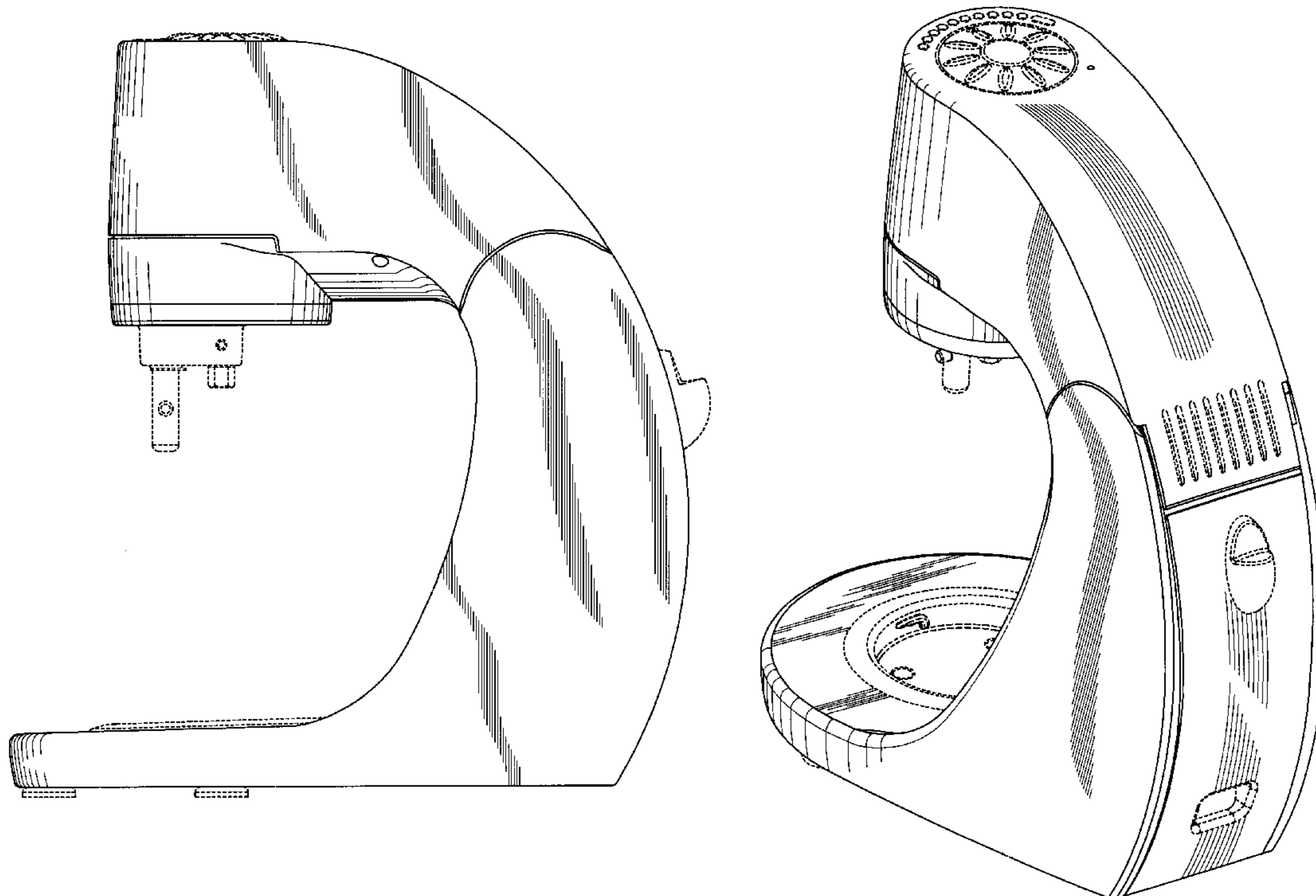
(57) **CLAIM**

The ornamental design for a stand mixer, substantially as shown.

DESCRIPTION

FIG. 1 is a side elevation view from one side of the stand mixer of the present invention. FIG. 2 is a side elevation view from the opposite side. FIG. 3 is a front top perspective view of the stand mixer. FIG. 4 is a rear perspective view of the stand mixer. FIG. 5 is a front elevation view of the stand mixer. FIG. 6 is a rear elevation view of the stand mixer. FIG. 7 is a top plan view of the stand mixer; and, FIG. 8 is a bottom plan view of the stand mixer. The features shown in broken lines form no part of the claimed invention.

1 Claim, 8 Drawing Sheets



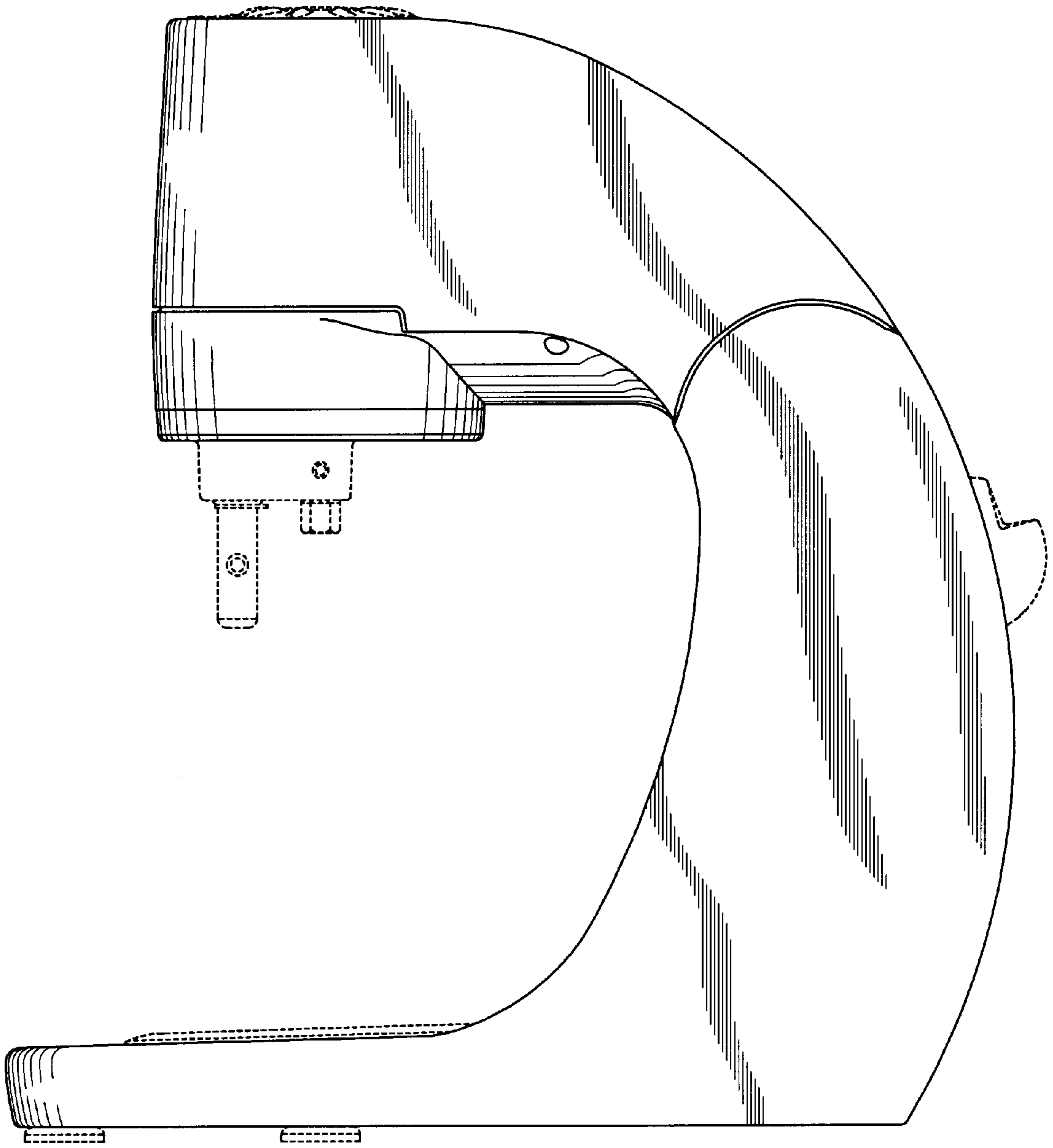


Fig. 1

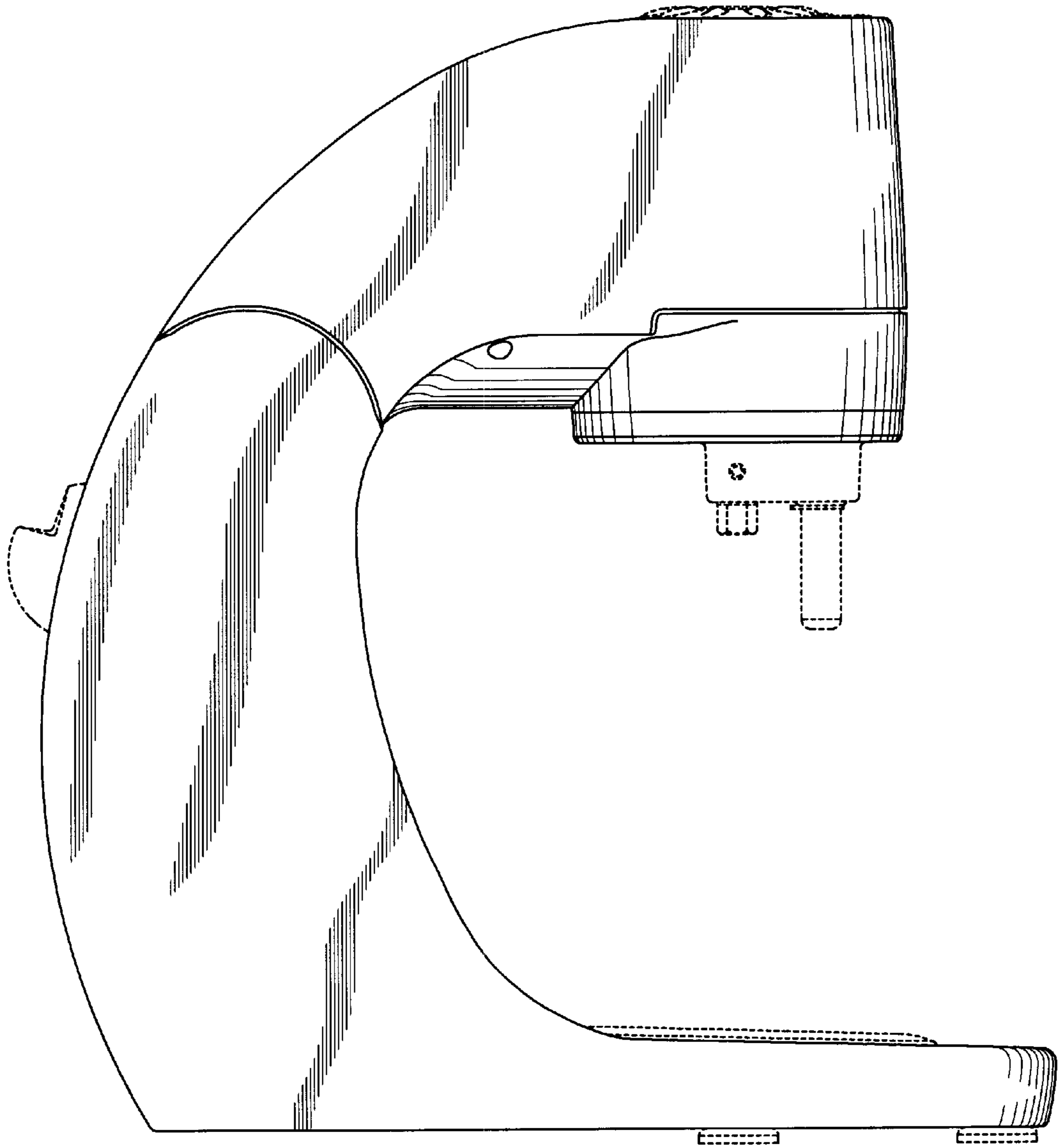


Fig. 2

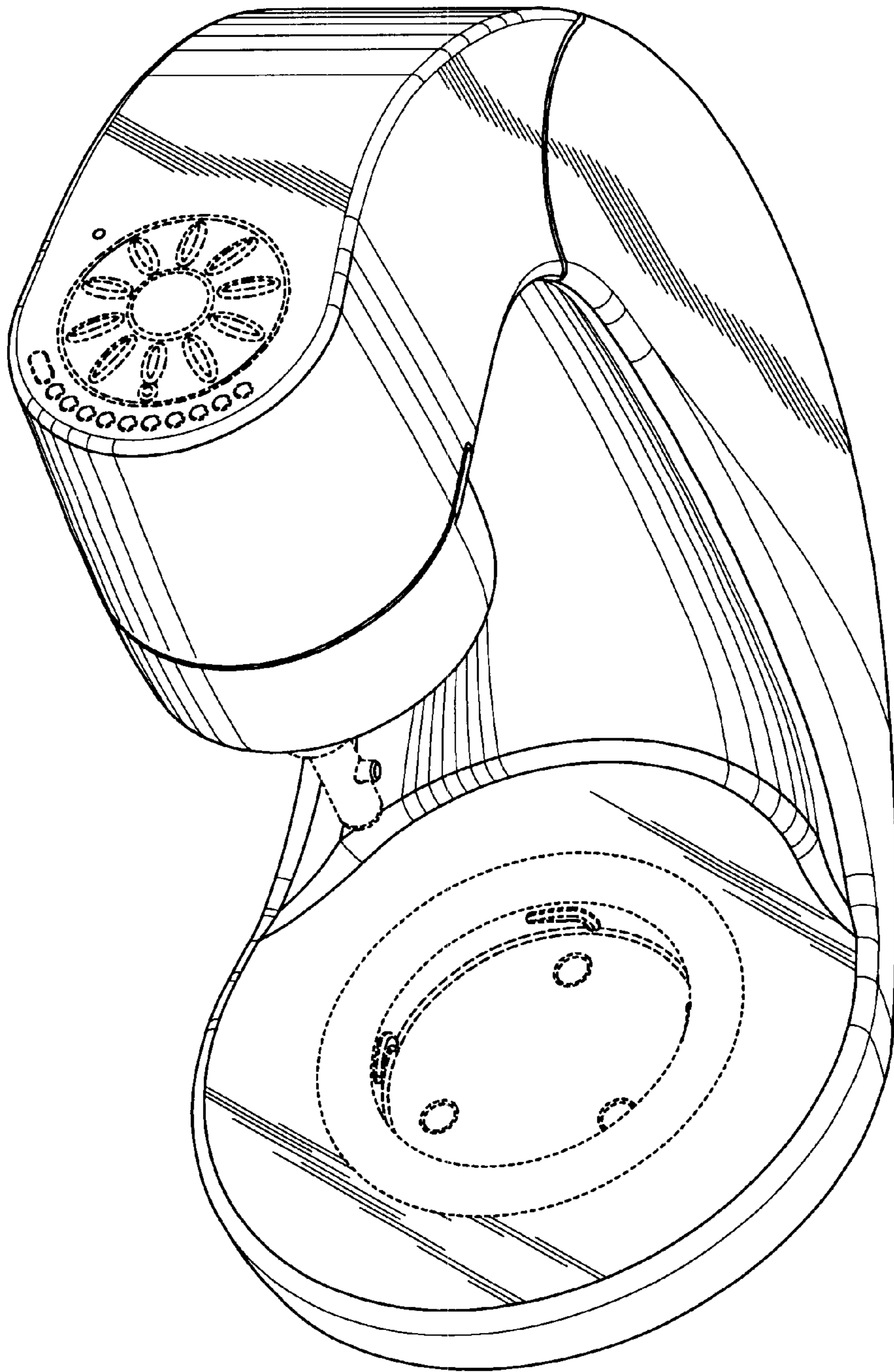


Fig. 3

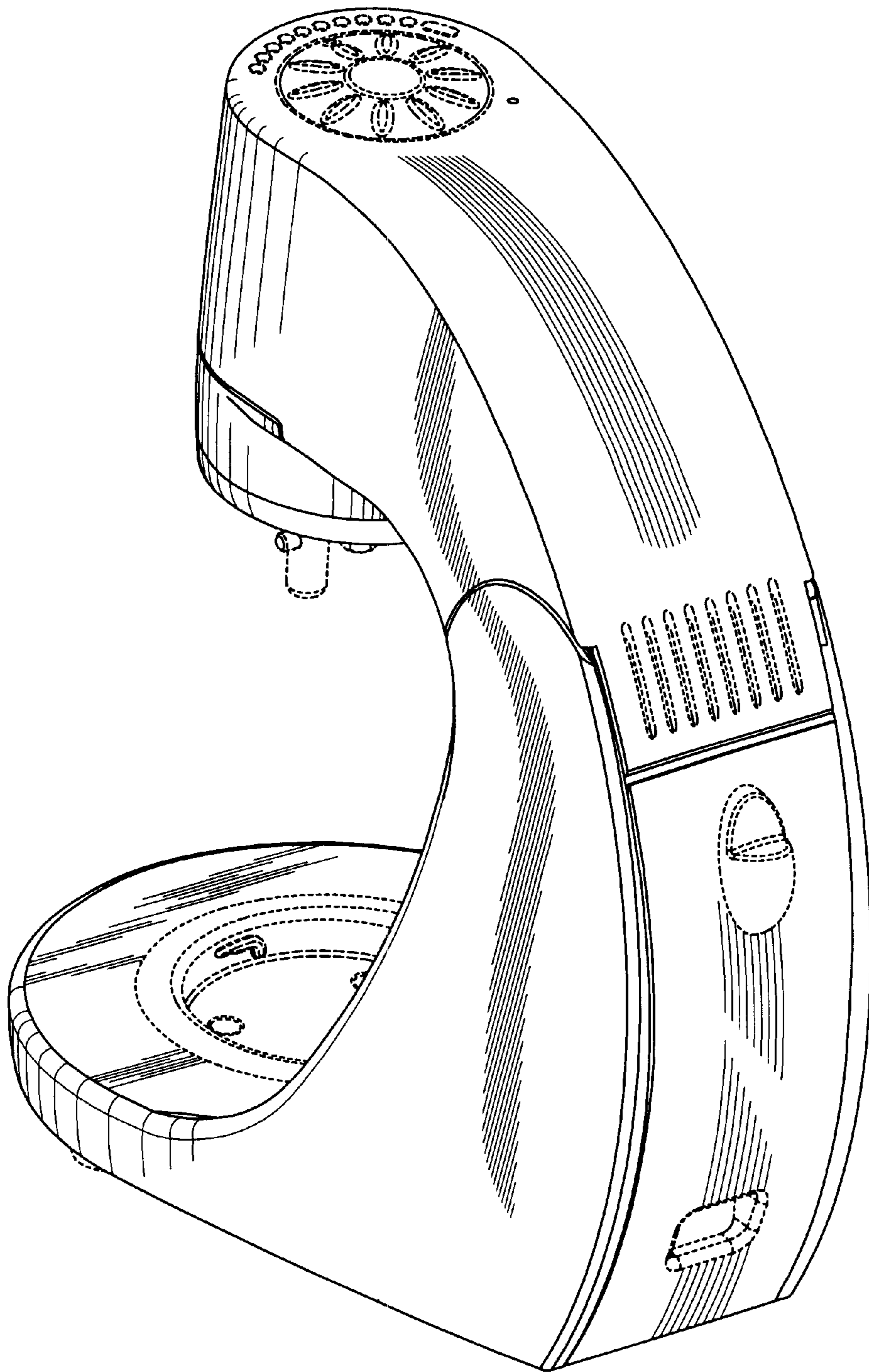


Fig. 4

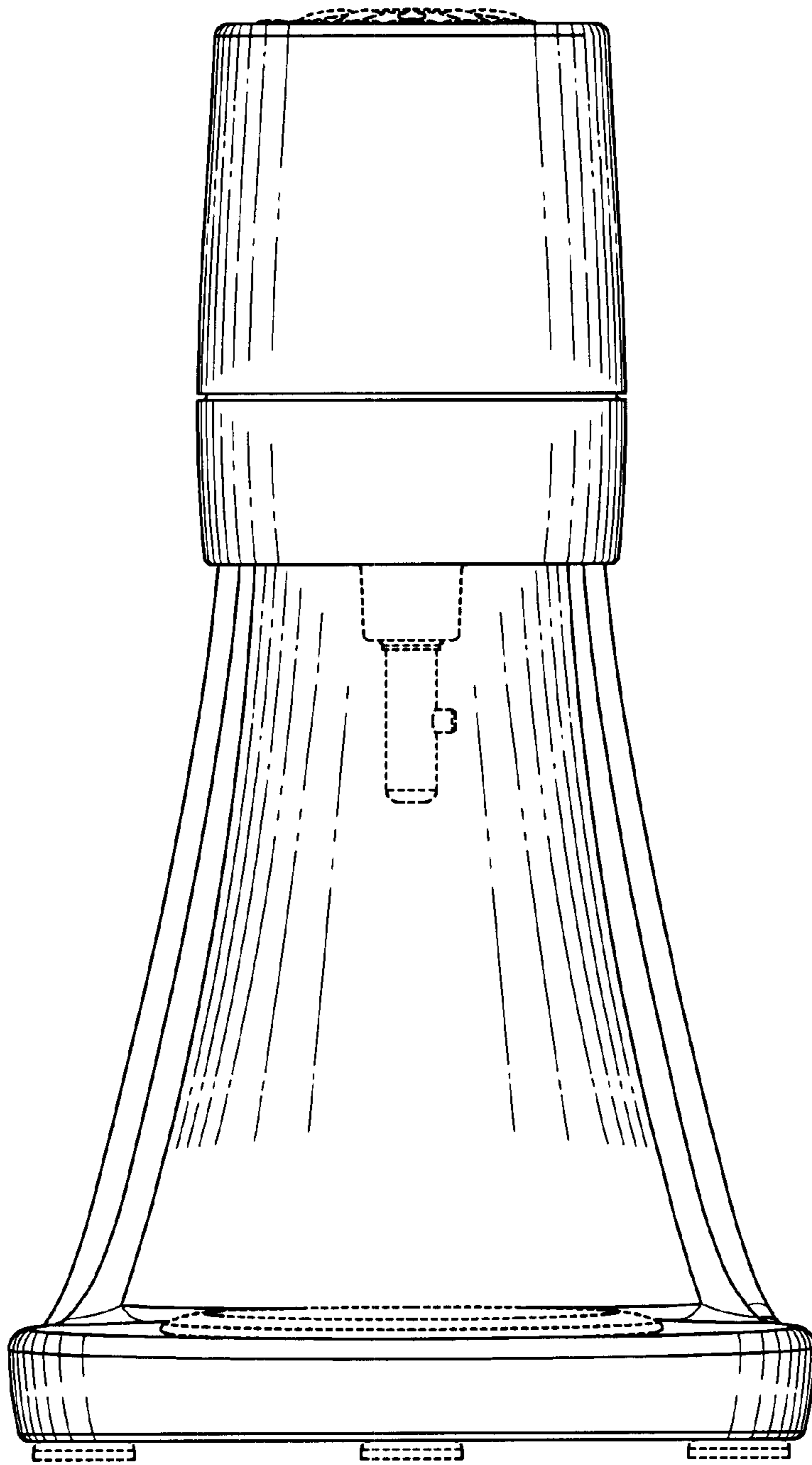


Fig. 5

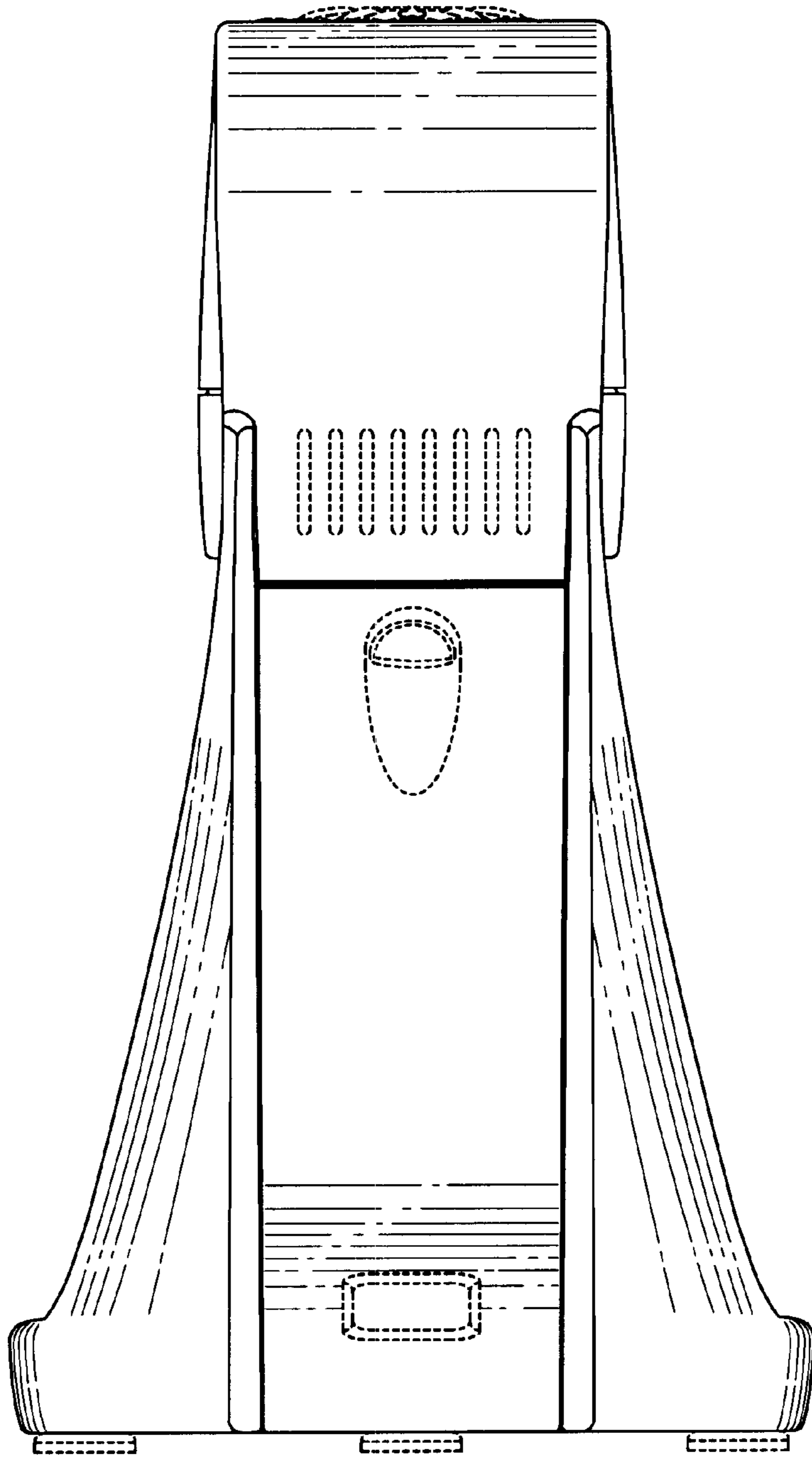


Fig. 6

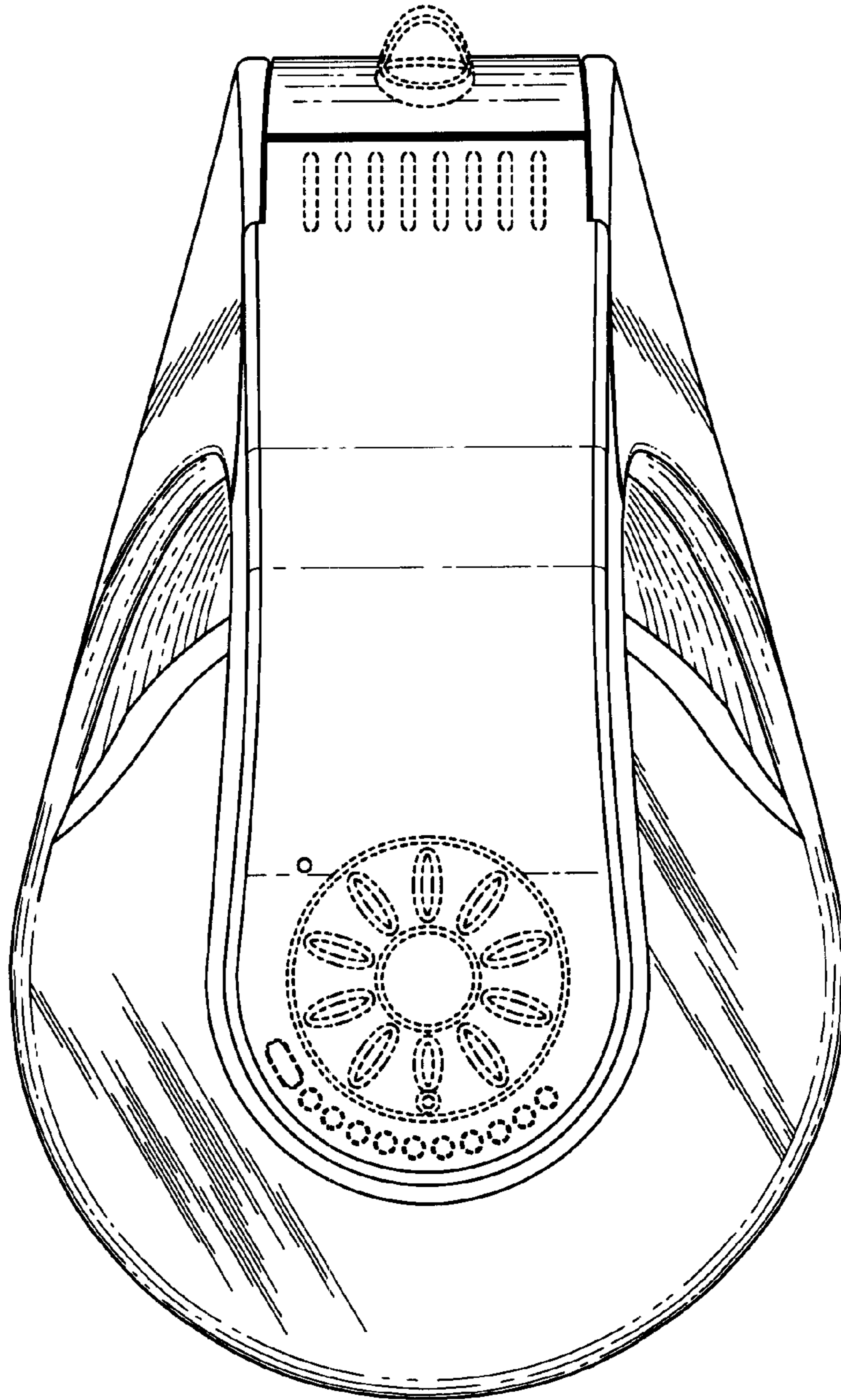


Fig. 7

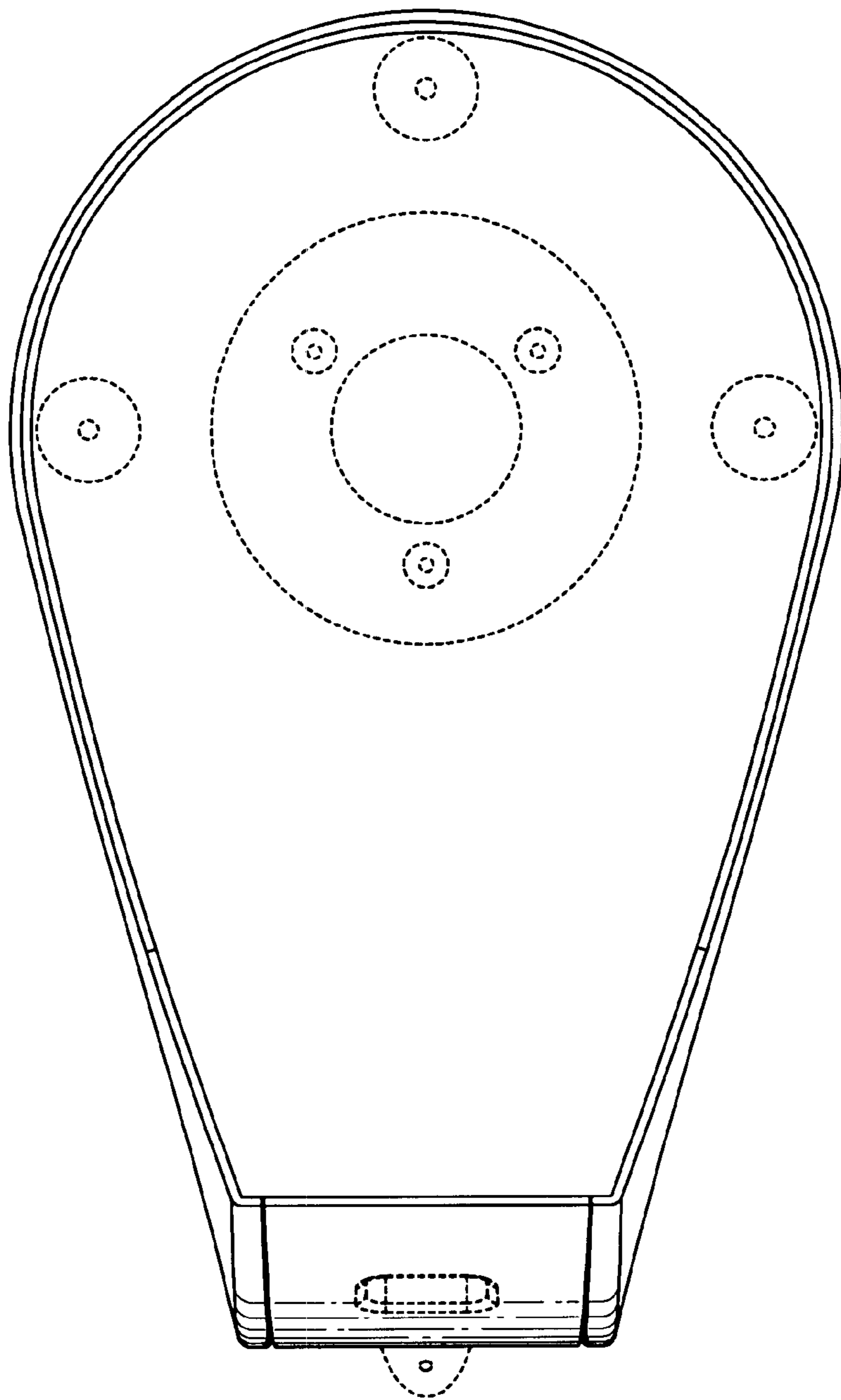


Fig. 8