



US00D483985S

(12) **United States Design Patent**  
**Huang**

(10) **Patent No.:** **US D483,985 S**

(45) **Date of Patent:** **\*\* Dec. 23, 2003**

(54) **ICE CRUSHER**

D462,568 S \* 9/2002 Li ..... D7/374  
D463,951 S \* 10/2002 Wade ..... D7/374

(75) Inventor: **Kuo-Fu Huang**, Tainan (TW)

\* cited by examiner

(73) Assignee: **Royal-G Enterprise Co., Ltd.**, Tainan (TW)

*Primary Examiner*—Catherine R. Oliver  
(74) *Attorney, Agent, or Firm*—Ladas & Parry

(\*\*) Term: **14 Years**

(57) **CLAIM**

(21) Appl. No.: **29/175,201**

The ornamental design for ice crusher, as shown and described.

(22) Filed: **Jan. 31, 2003**

**DESCRIPTION**

(51) **LOC (7) Cl.** ..... **31-00**

(52) **U.S. Cl.** ..... **D7/374**

(58) **Field of Search** ..... D7/372-376, 384,  
D7/309-310; 241/100, 249; 99/304, 306,  
268, 586; 248/312.1

FIG. 1 is a perspective view of ice crusher showing my new design;

FIG. 2 is a front elevational view thereof;

FIG. 3 is a rear elevational view thereof;

FIG. 4 is a left side elevational view thereof;

FIG. 5 is a right side elevational view thereof;

FIG. 6 is a top plan view thereof; and,

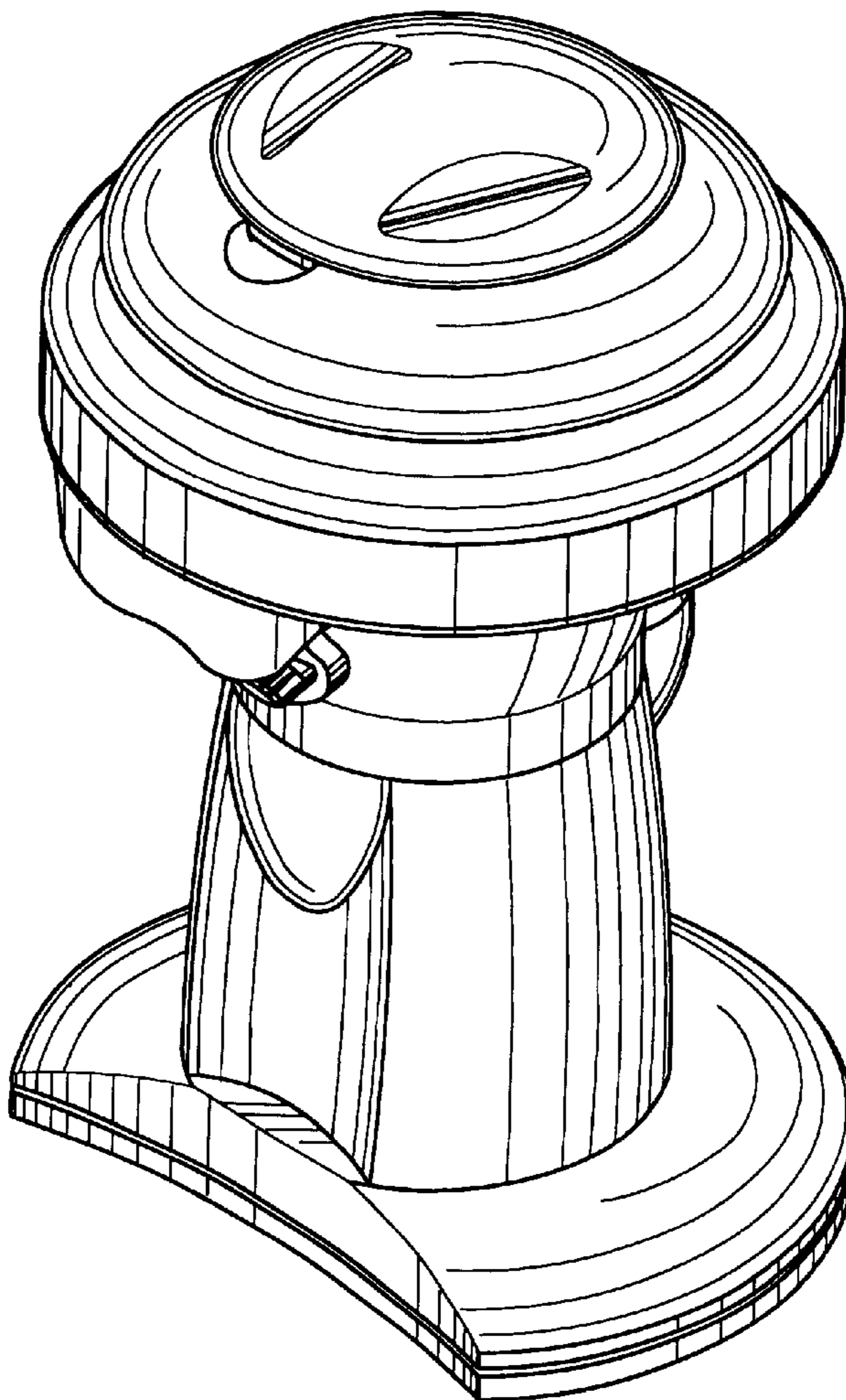
FIG. 7 is a bottom plan view thereof.

(56) **References Cited**

**U.S. PATENT DOCUMENTS**

D416,435 S \* 11/1999 Lin ..... D7/374

**1 Claim, 4 Drawing Sheets**



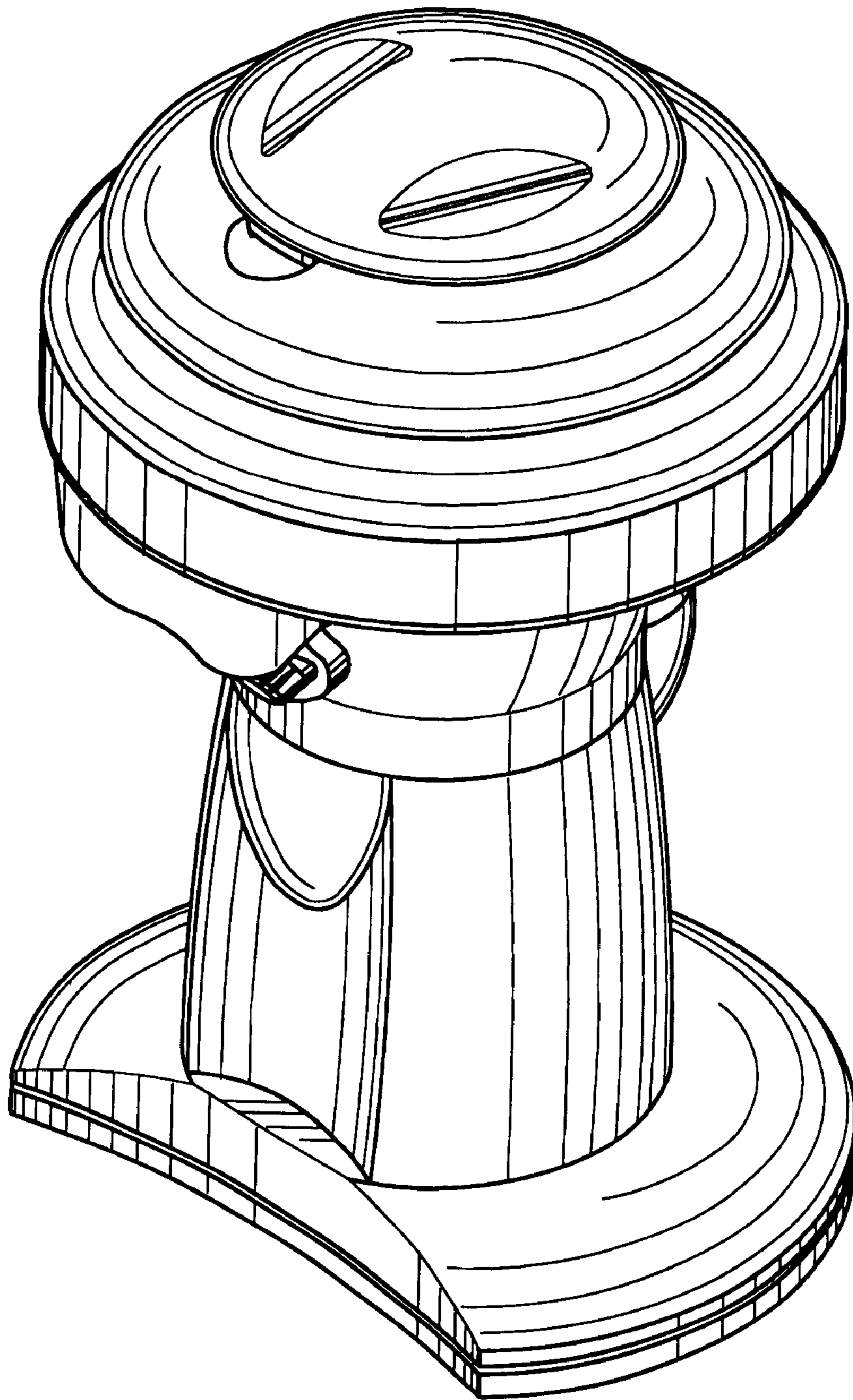


FIG. 1

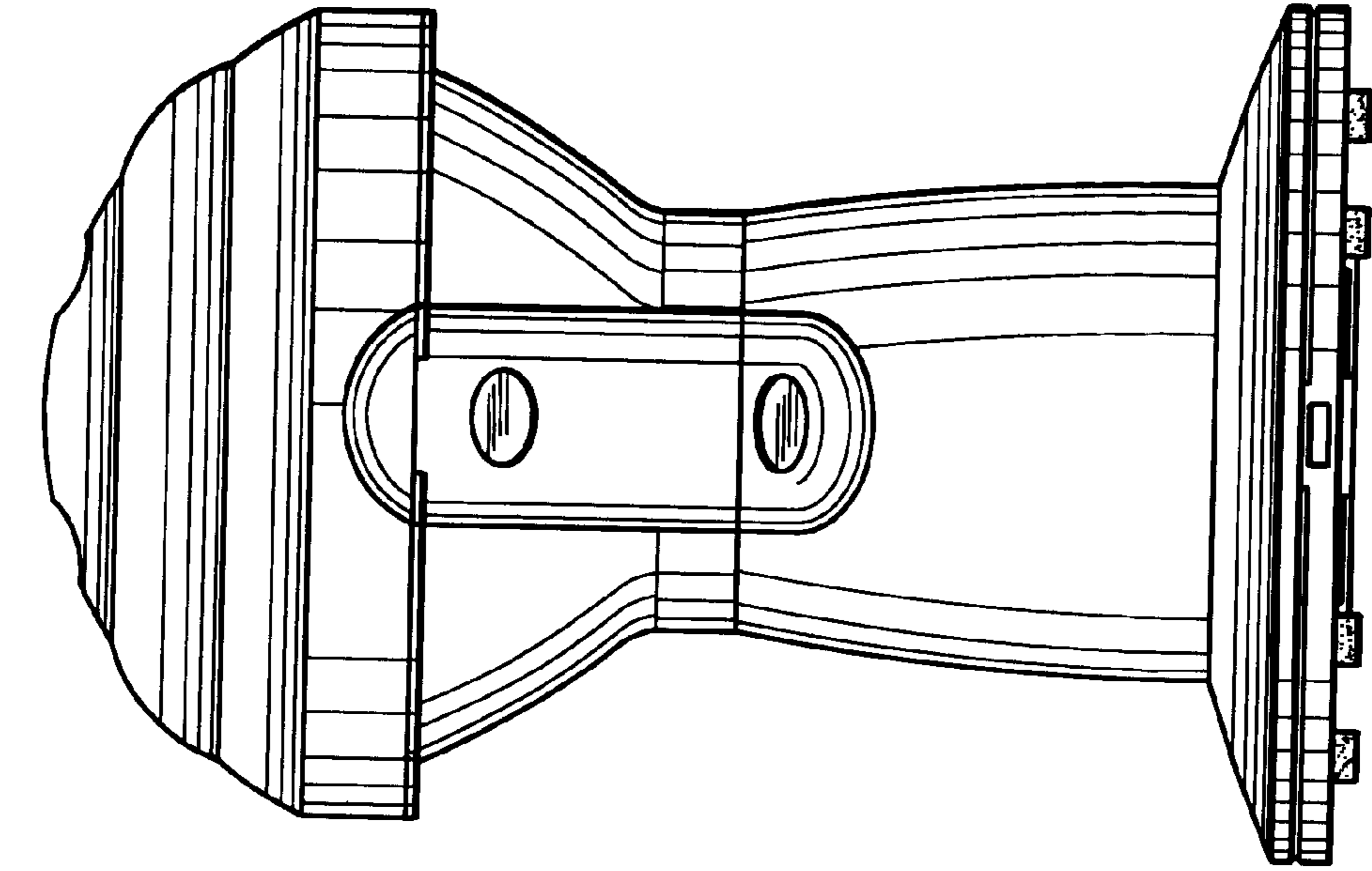


FIG. 2

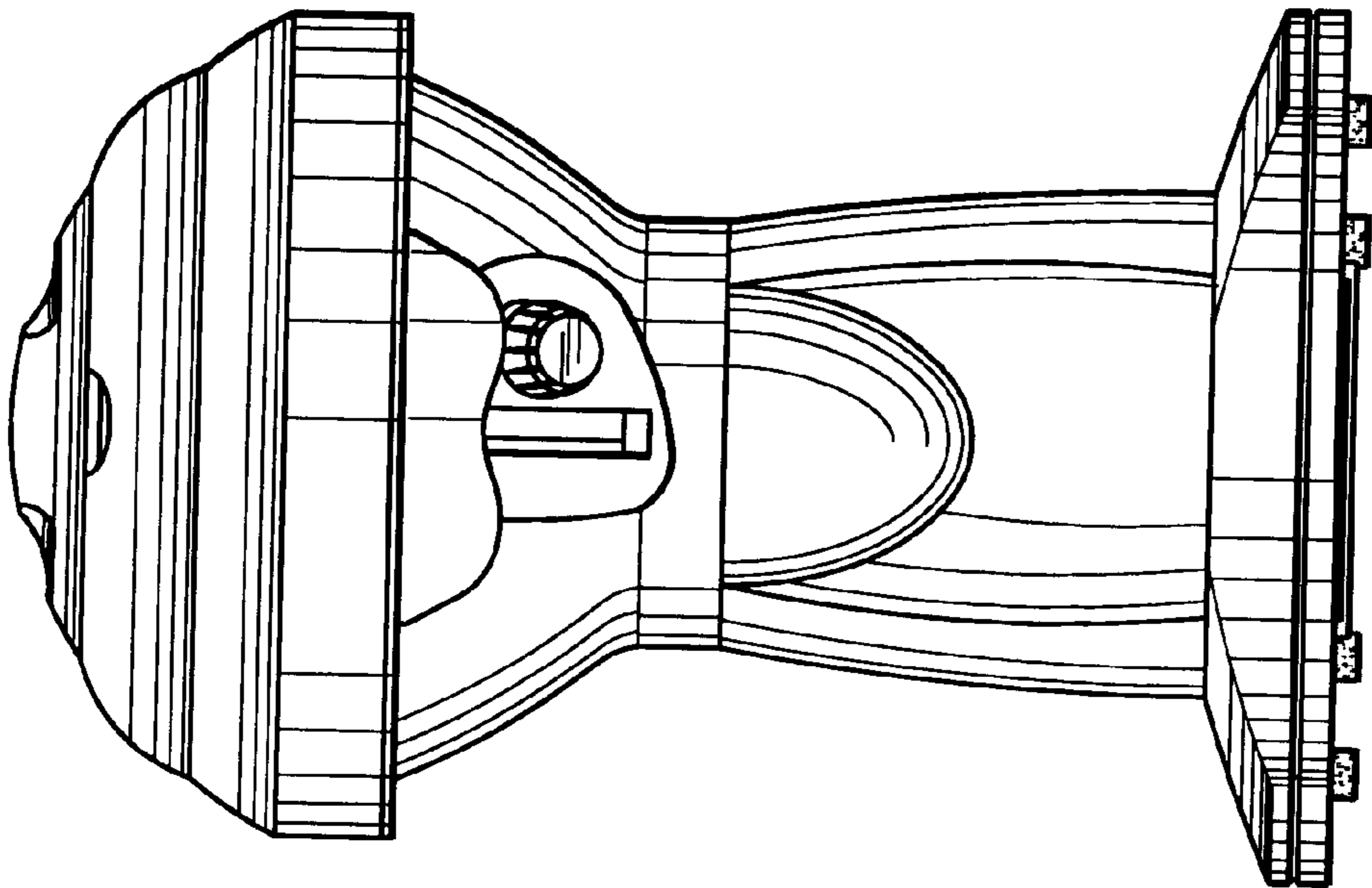


FIG. 3

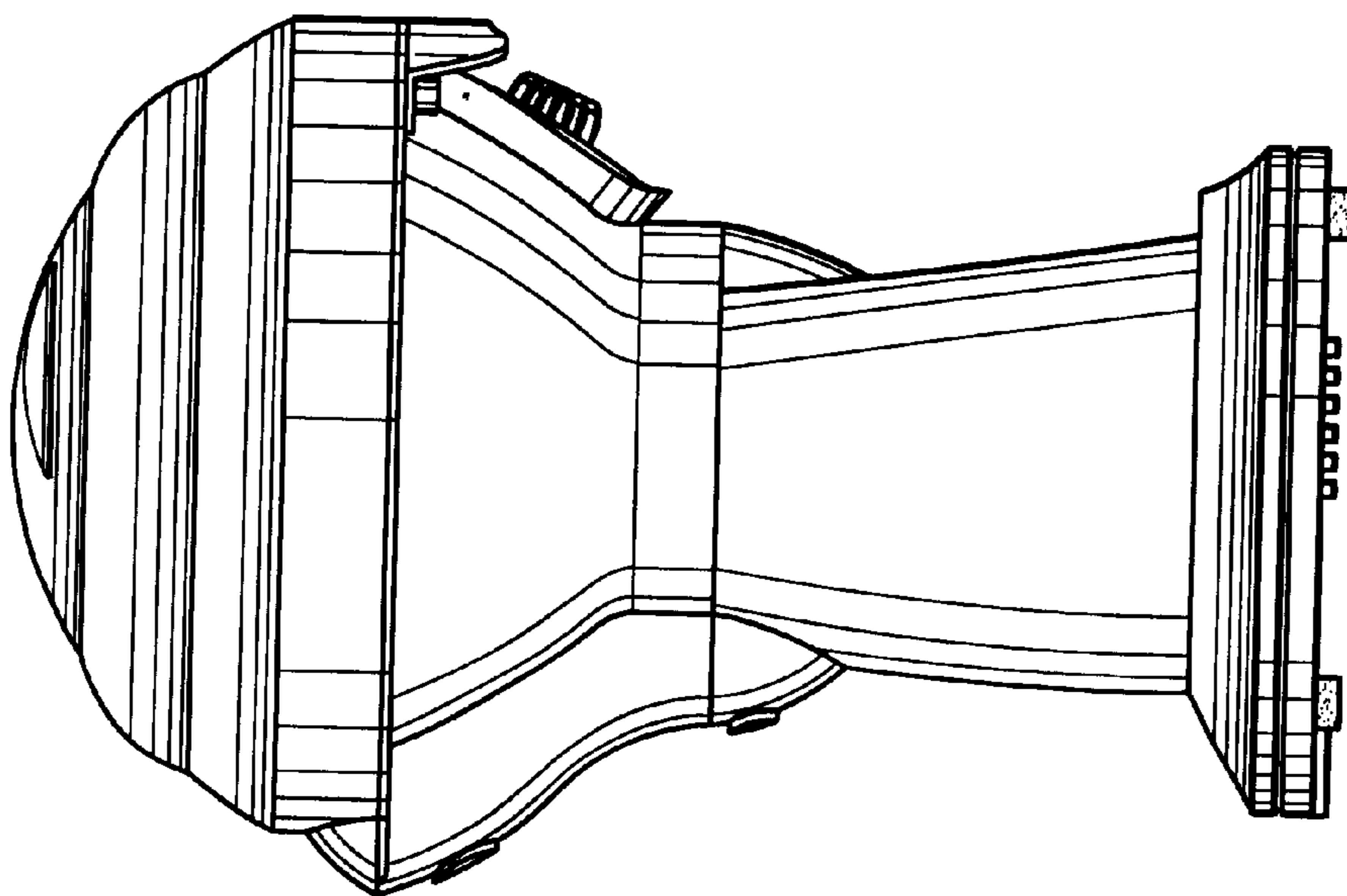


FIG. 4

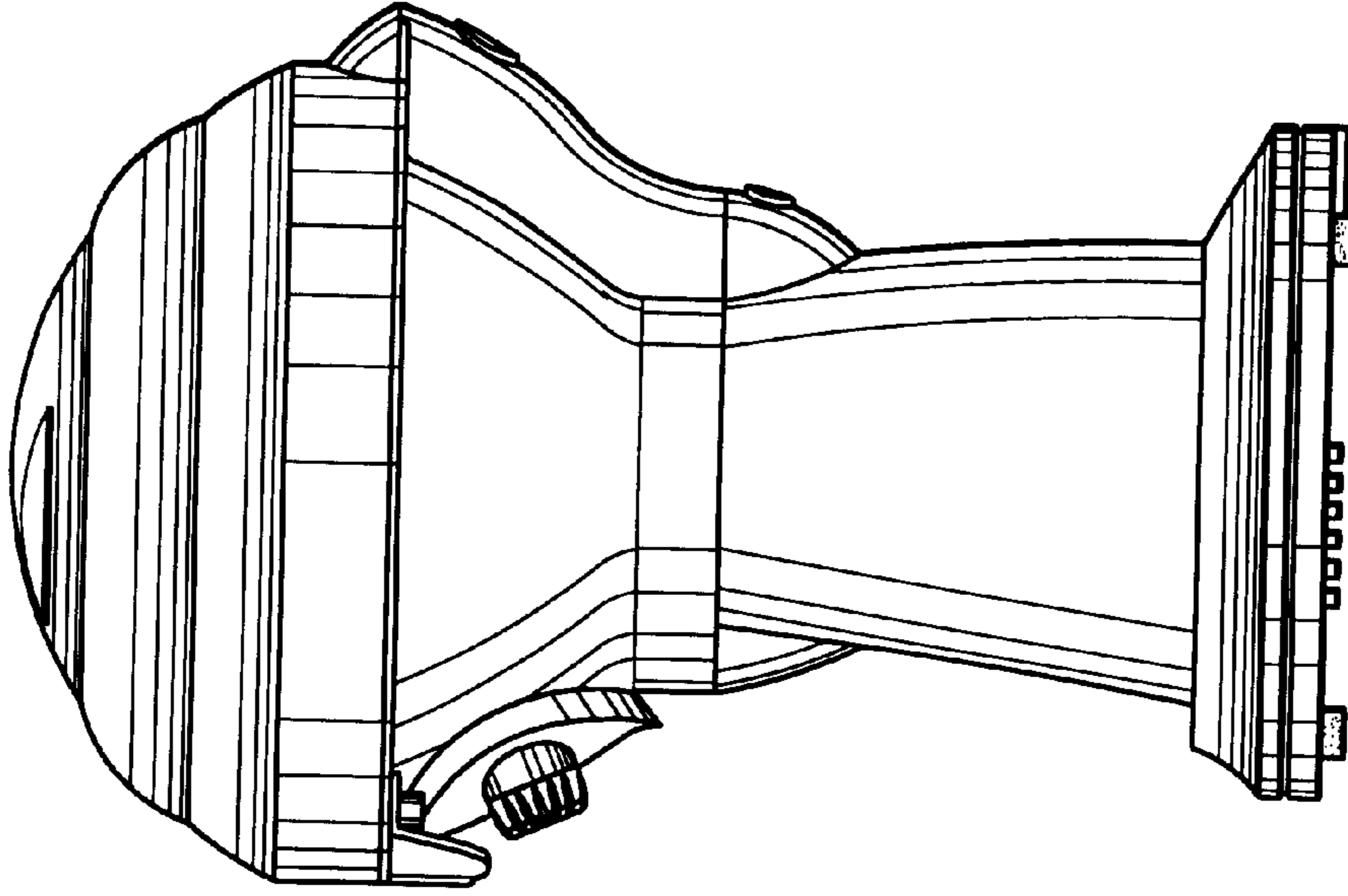


FIG. 5

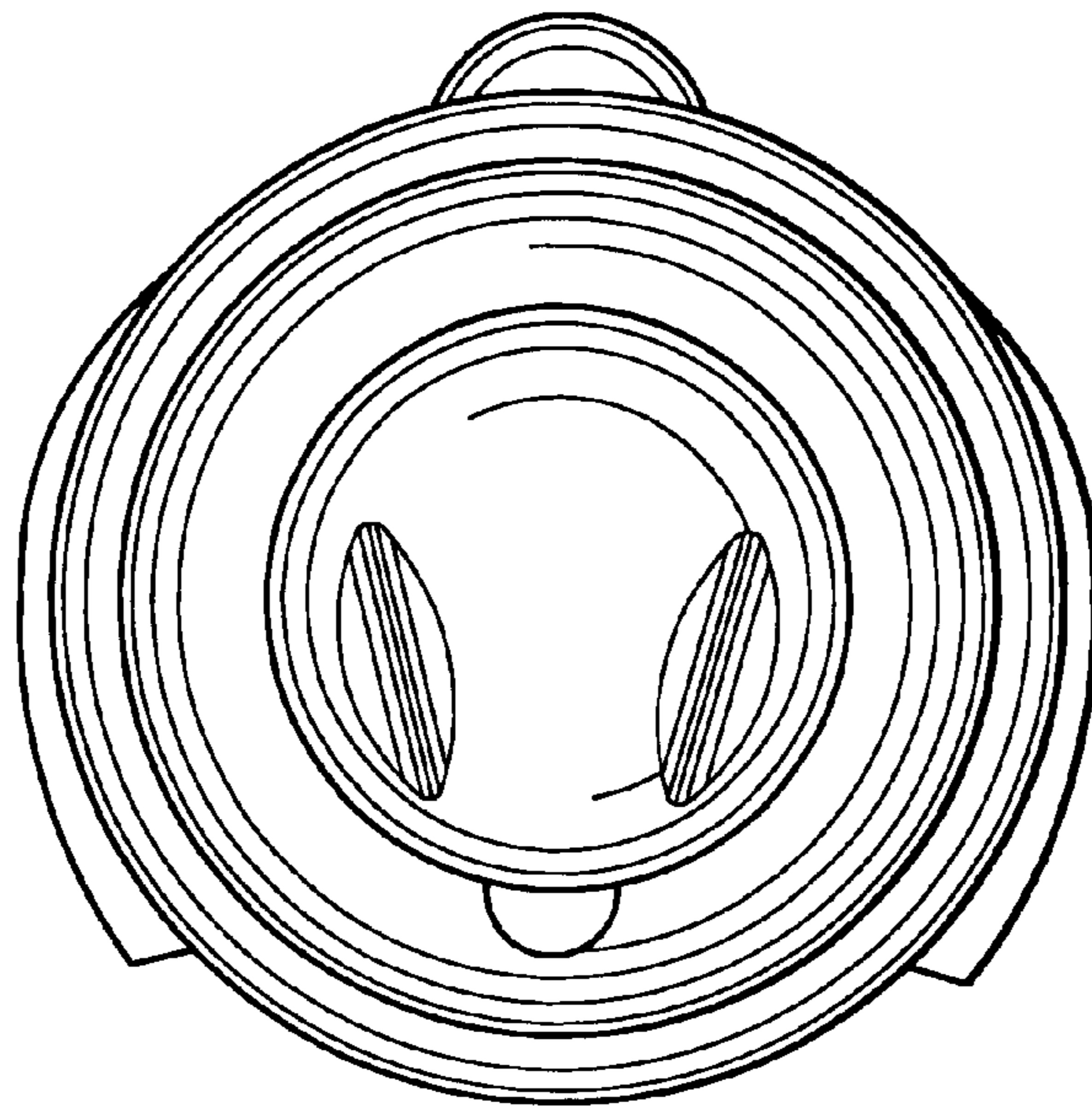


FIG. 6

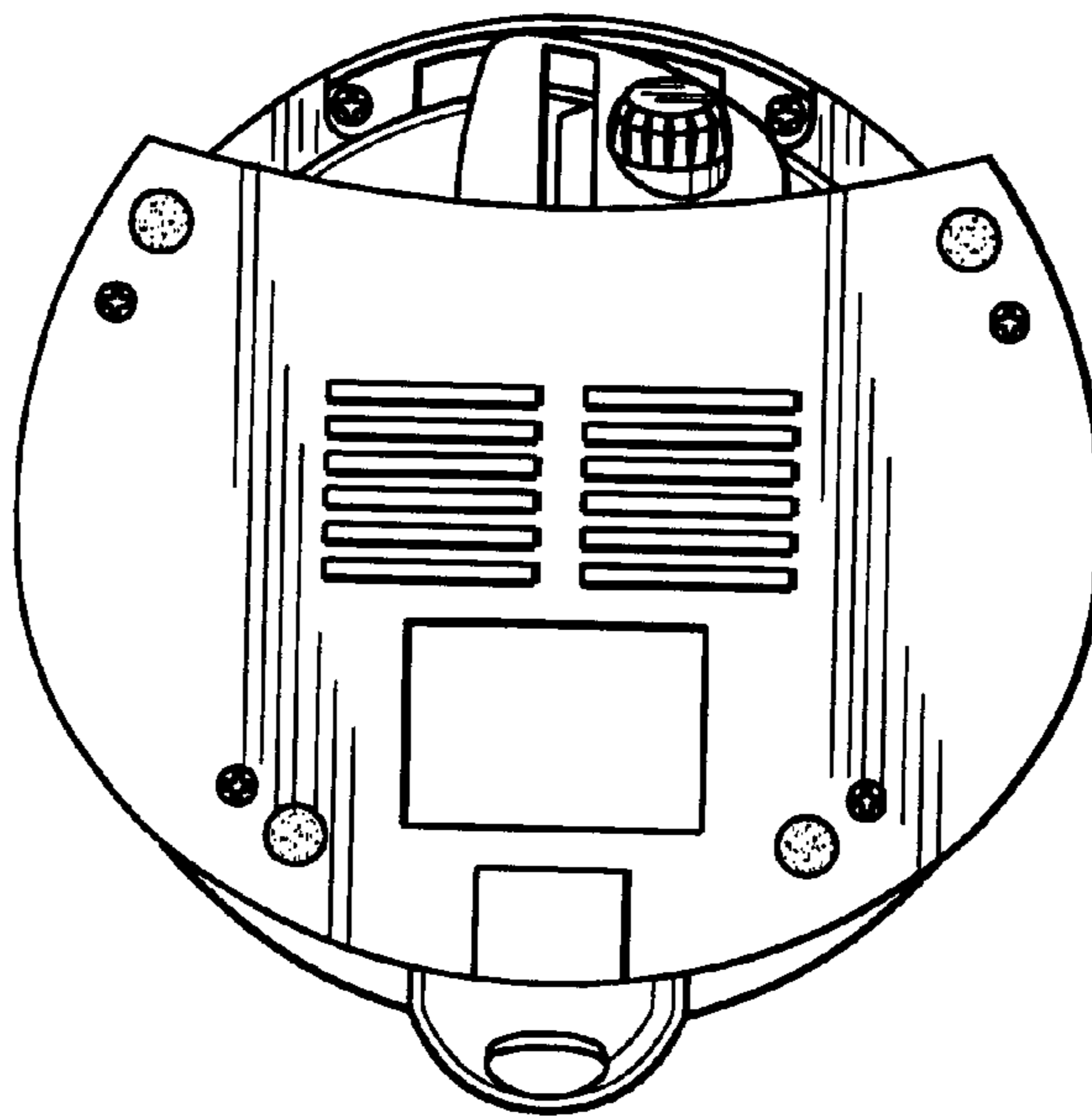


FIG. 7