



US00D483977S

(12) **United States Design Patent**  
Nurmentaus

(10) **Patent No.:** **US D483,977 S**

(45) **Date of Patent:** **\*\* Dec. 23, 2003**

(54) **MAT/TILE ARRANGEMENT**

(75) Inventor: **Keijo Juhani Nurmentaus**, Nurmijarvi (FI)

(73) Assignee: **Construction Specialties, Inc.**, Lebanon, NJ (US)

(\*\*) Term: **14 Years**

(21) Appl. No.: **29/154,027**

(22) Filed: **Jan. 14, 2002**

(51) **LOC (7) Cl.** ..... **06-11**

(52) **U.S. Cl.** ..... **D6/587**

(58) **Field of Search** ..... D25/138, 163, D25/149, 156; 52/311.1, 181, 177; D30/120; D6/582, 583, 585, 587, 586; 428/172, 44, 45; 119/526, 525, 529, 530

(56) **References Cited**

**U.S. PATENT DOCUMENTS**

D196,832 S \* 11/1963 Freeman ..... D6/587  
D301,530 S \* 6/1989 Jonker ..... D25/156  
6,079,366 A \* 6/2000 Telleen ..... 119/525

**OTHER PUBLICATIONS**

Product literature for Milliken & Company (LaGrange, Georgia) product, First Appearances™ Brushoff™ carpeted tile product, Sweets Catalog, Jan. 2002, McGraw-Hill, New York, NY.

Product literature for Mats, Inc. (Stoughton, Massachusetts) product, Ultra-Entry™ carpeted tile product, Sweets Catalog, Jan. 2002, McGraw-Hill, New York, NY, 12484/MAT, Buyline 1253.

Product literature for Matworks (Beltsville, Maryland) product, Designer Links carpeted tile product, 2002 Product Guide, Sweets Catalog, Jan. 2002, McGraw-Hill, New York, NY, 12484/MAV, Buyline 3143.

Product literature for Muovihaka Oy (Nurmijärvi, Finland) product, Jaguar Heavy-duty Elastic Grid-Mat, 2001.

\* cited by examiner

*Primary Examiner*—Doris Clark

(74) *Attorney, Agent, or Firm*—Baker Botts LLP

(57) **CLAIM**

The ornamental design for a mat/tile arrangement, as shown and described.

**DESCRIPTION**

FIG. 1 is a top view of a mat/tile arrangement showing my new design; and,

FIG. 2 is a perspective view of the mat/tile arrangement of FIG. 1.

The broken lines are for illustrative purposes only and form no part of the claimed design.

**1 Claim, 2 Drawing Sheets**

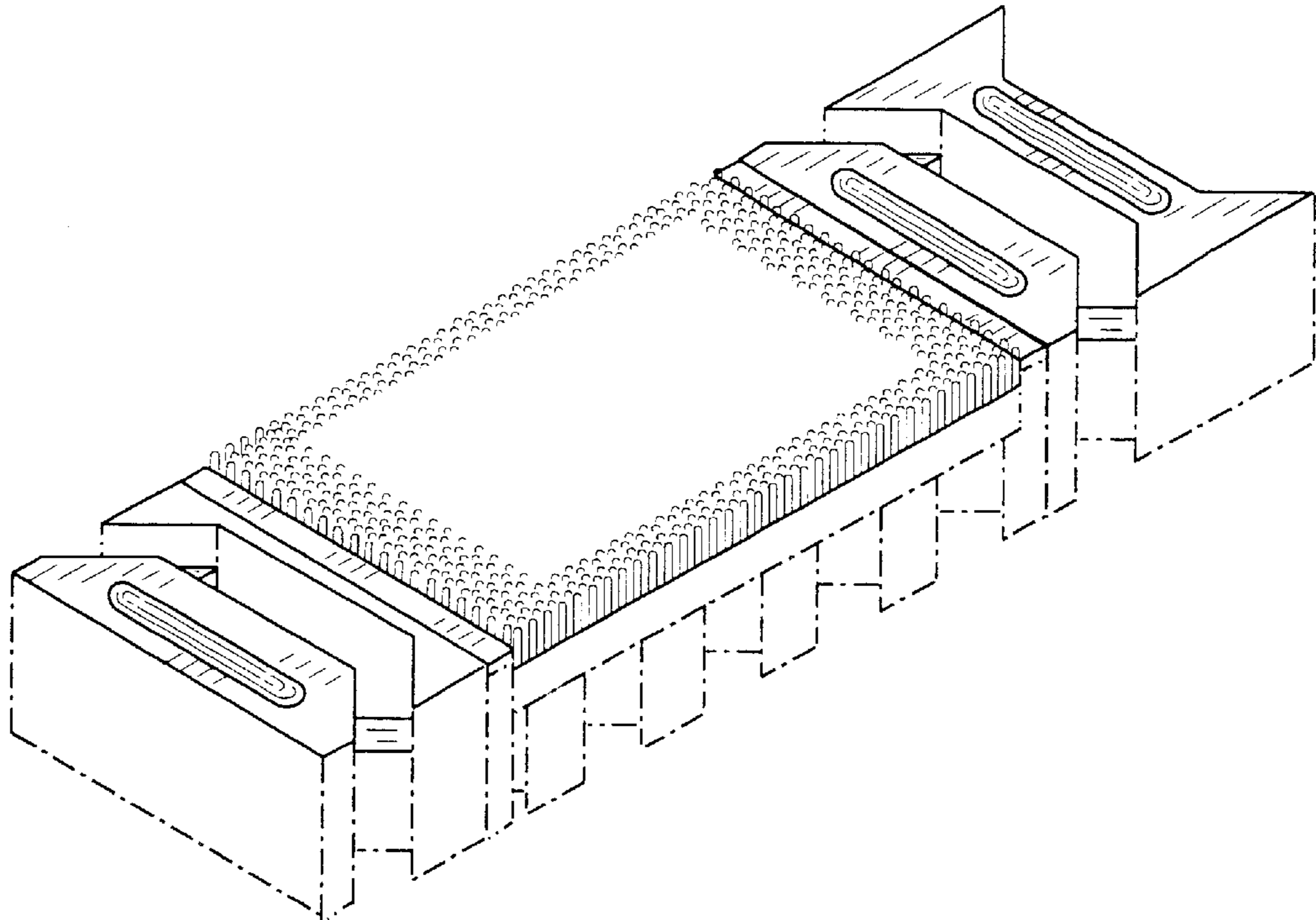
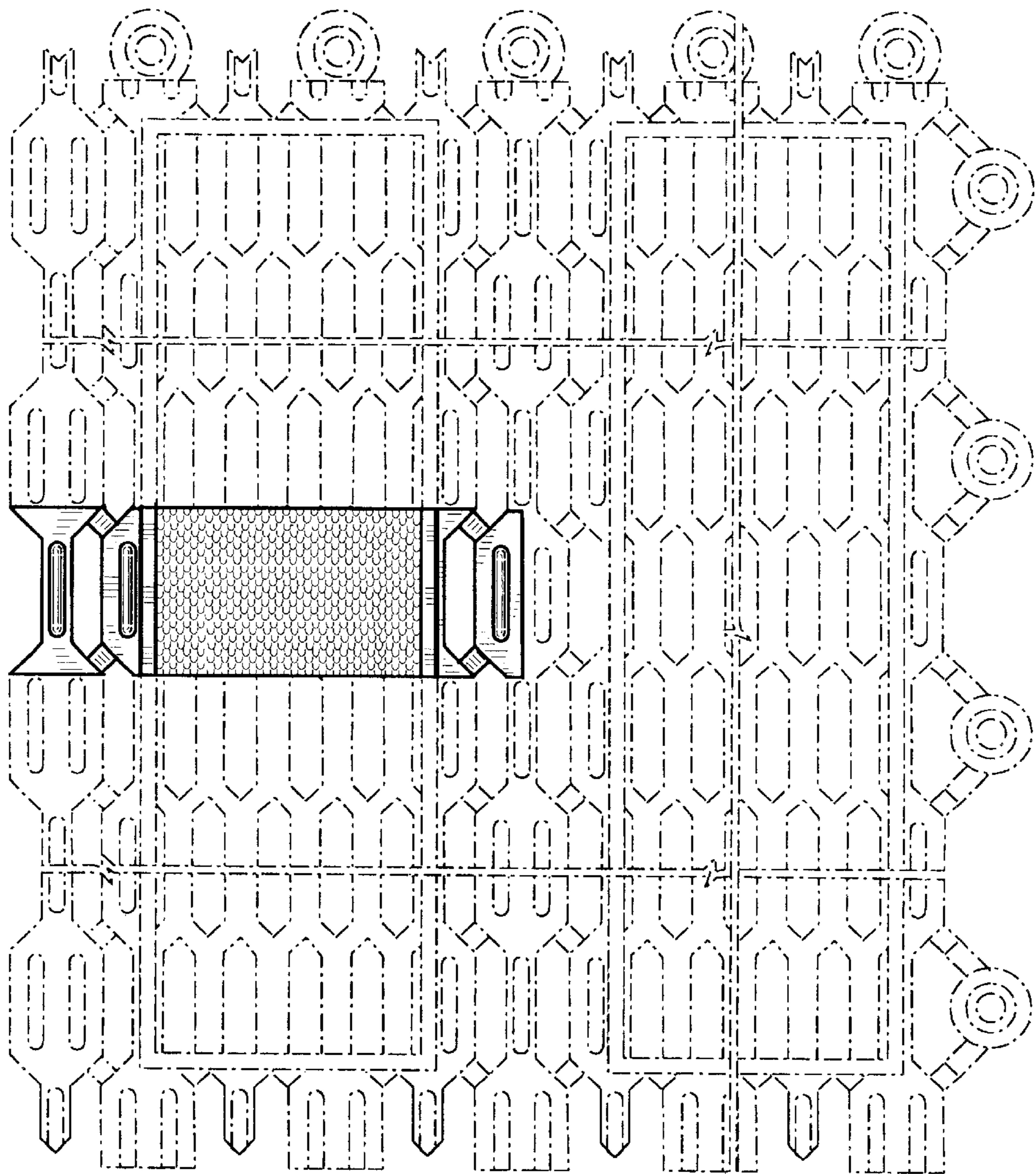


FIG. 1



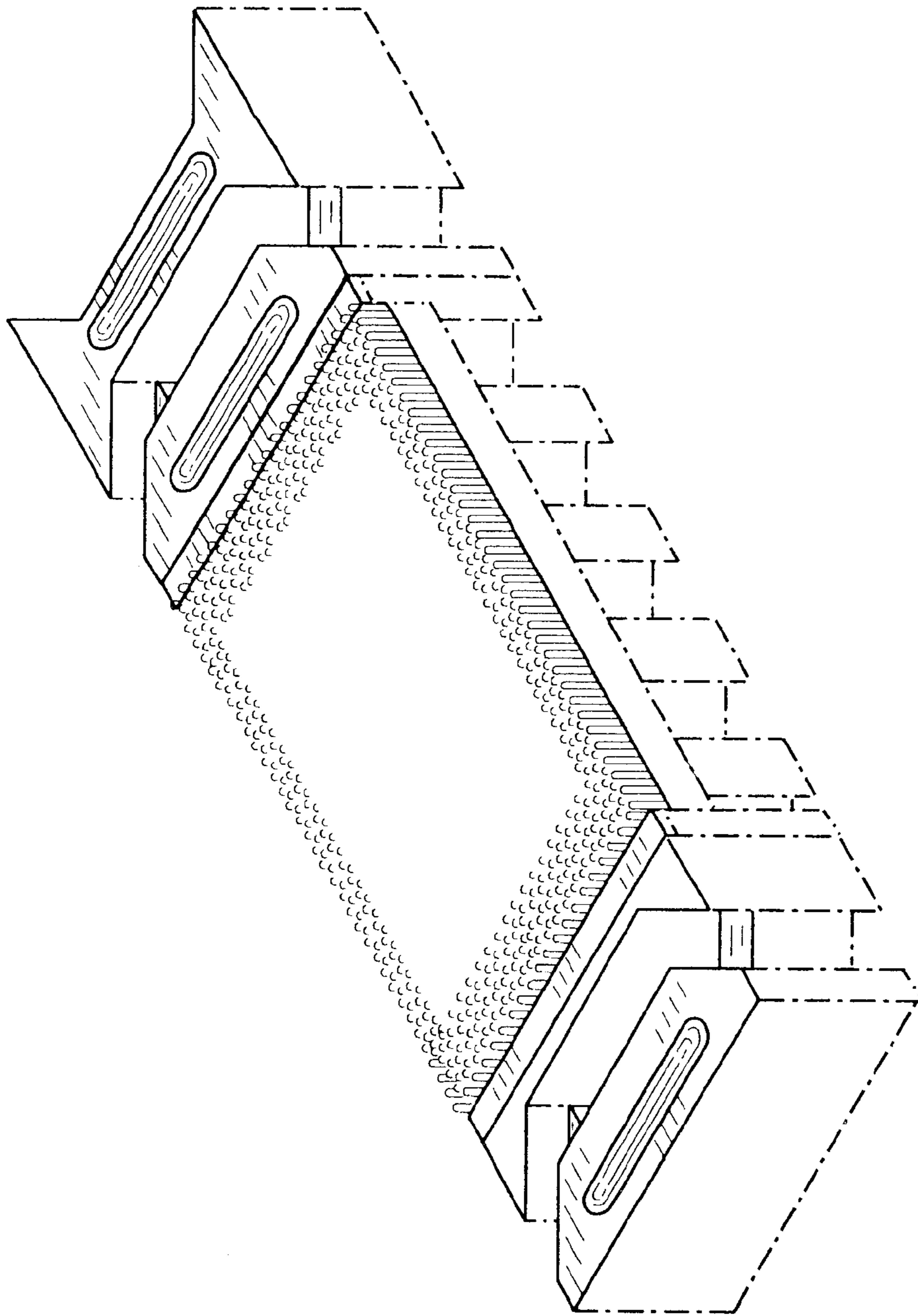


FIG. 2