



US00D483976S

(12) **United States Design Patent**
Hoernig

(10) **Patent No.:** **US D483,976 S**

(45) **Date of Patent:** **** Dec. 23, 2003**

(54) **WALL SHELF WITH HOOK**

D456,150 S * 4/2002 Moore D8/367 X
D463,730 S * 10/2002 Snell D8/367

(75) Inventor: **Victor Hoernig**, Lowell, IN (US)

* cited by examiner

(73) Assignee: **Bath Unlimited, Inc.**, Fort Mill, SC (US)

Primary Examiner—Brian N. Vinson

(**) Term: **14 Years**

(74) *Attorney, Agent, or Firm*—Edgar A. Zarins; Lloyd D. Doigan

(21) Appl. No.: **29/166,023**

(57) **CLAIM**

(22) Filed: **Aug. 21, 2002**

The ornamental design for a wall shelf with hook, as shown and described.

(51) **LOC (7) Cl.** **06-04**

DESCRIPTION

(52) **U.S. Cl.** **D6/574**

(58) **Field of Search** D6/553, 567, 570,
D6/574; D8/372, 367; 211/87.01, 88.01,
126.1, 134

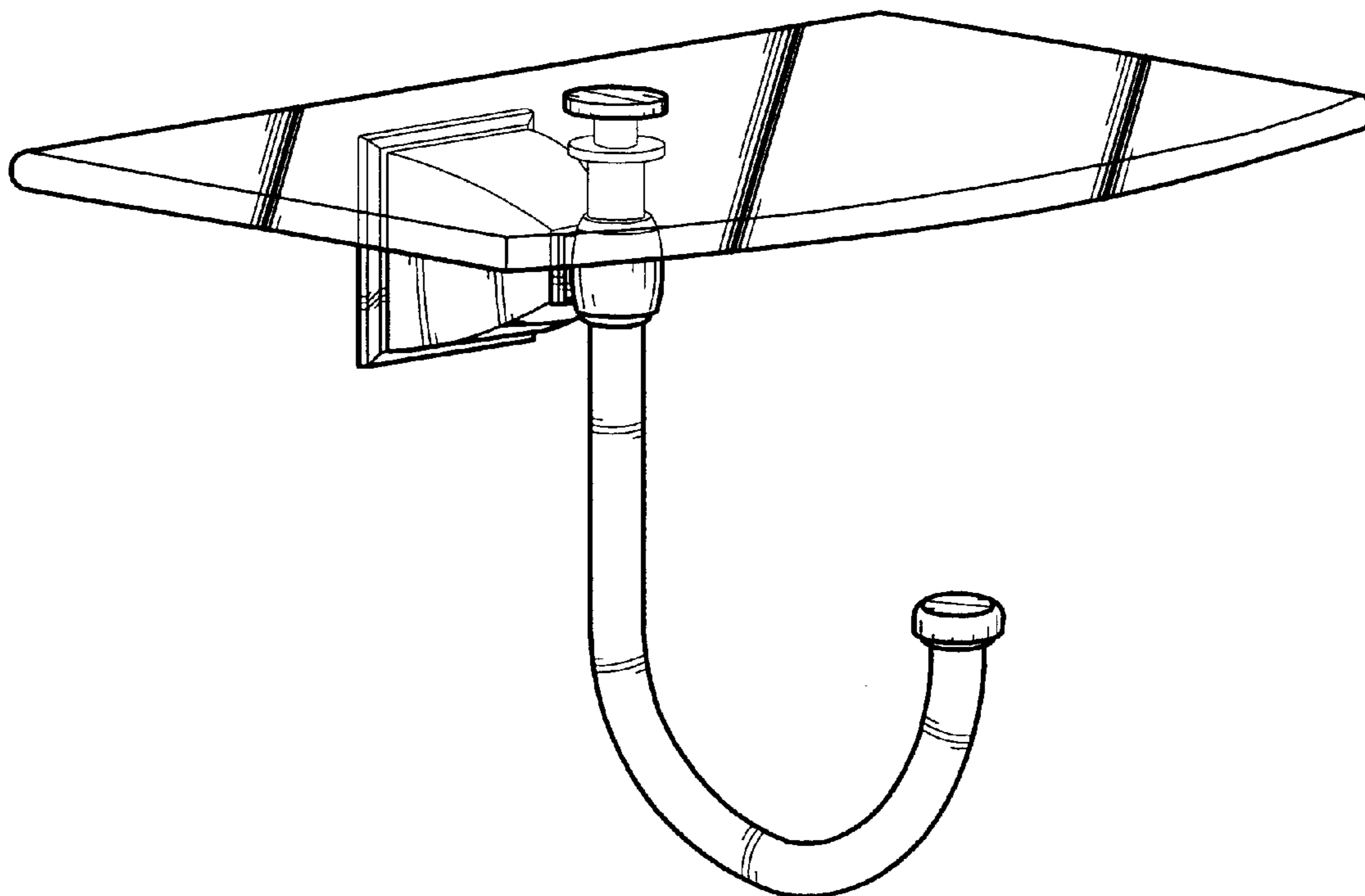
FIG. 1 is a perspective view of a wall shelf with hook showing my new design;
FIG. 2 is right side view thereof;
FIG. 3 is a top plan view thereof;
FIG. 4 is a front elevational view thereof;
FIG. 5 is a left side view thereof;
FIG. 6 is a bottom plan view thereof; and,
FIG. 7 is a rear view thereof.

(56) **References Cited**

U.S. PATENT DOCUMENTS

D344,651 S * 3/1994 Reese D6/574
D348,165 S * 6/1994 Walaski D6/566 X
D455,947 S * 4/2002 Goodman et al. D8/367

1 Claim, 4 Drawing Sheets



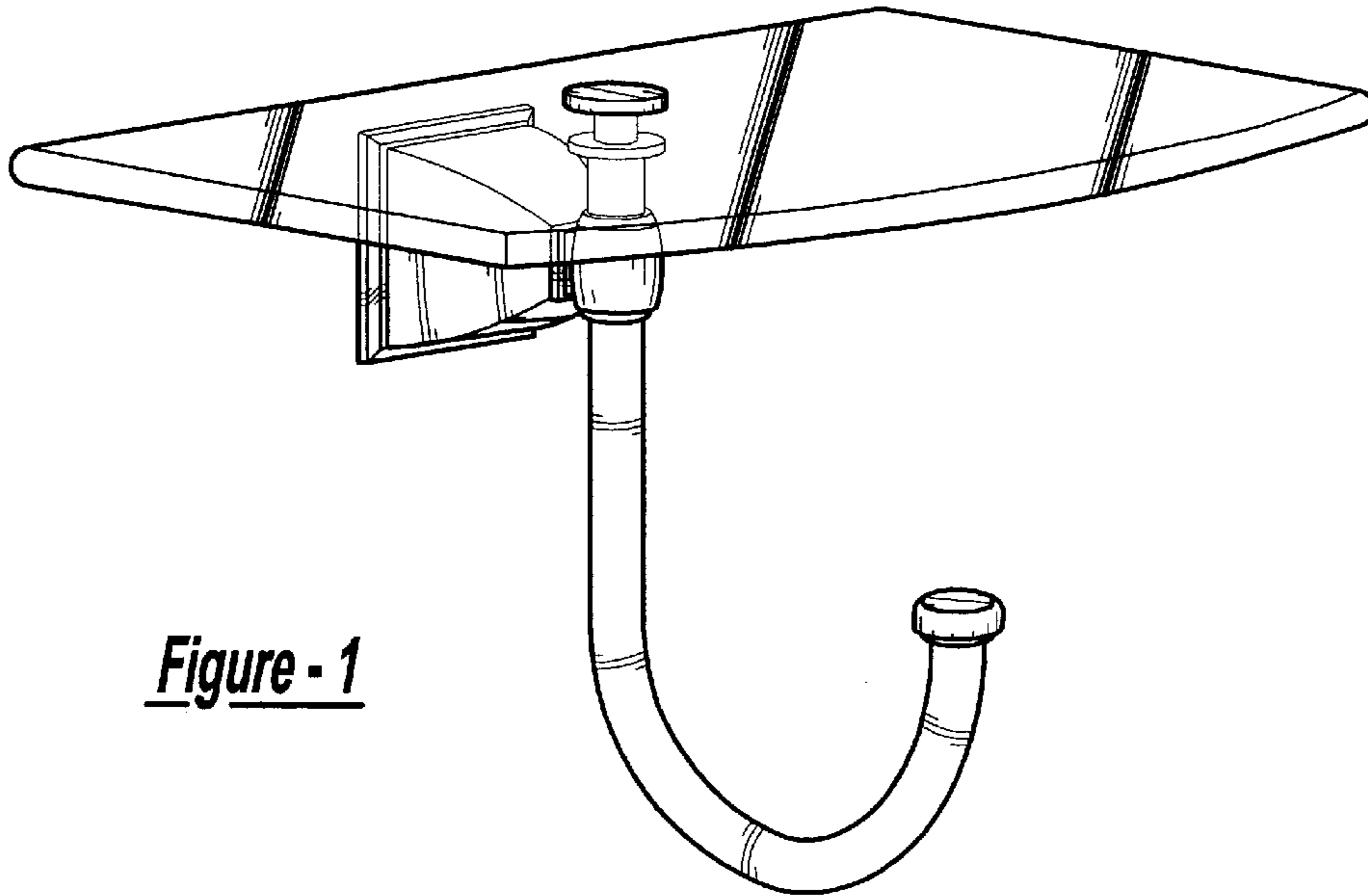


Figure - 1

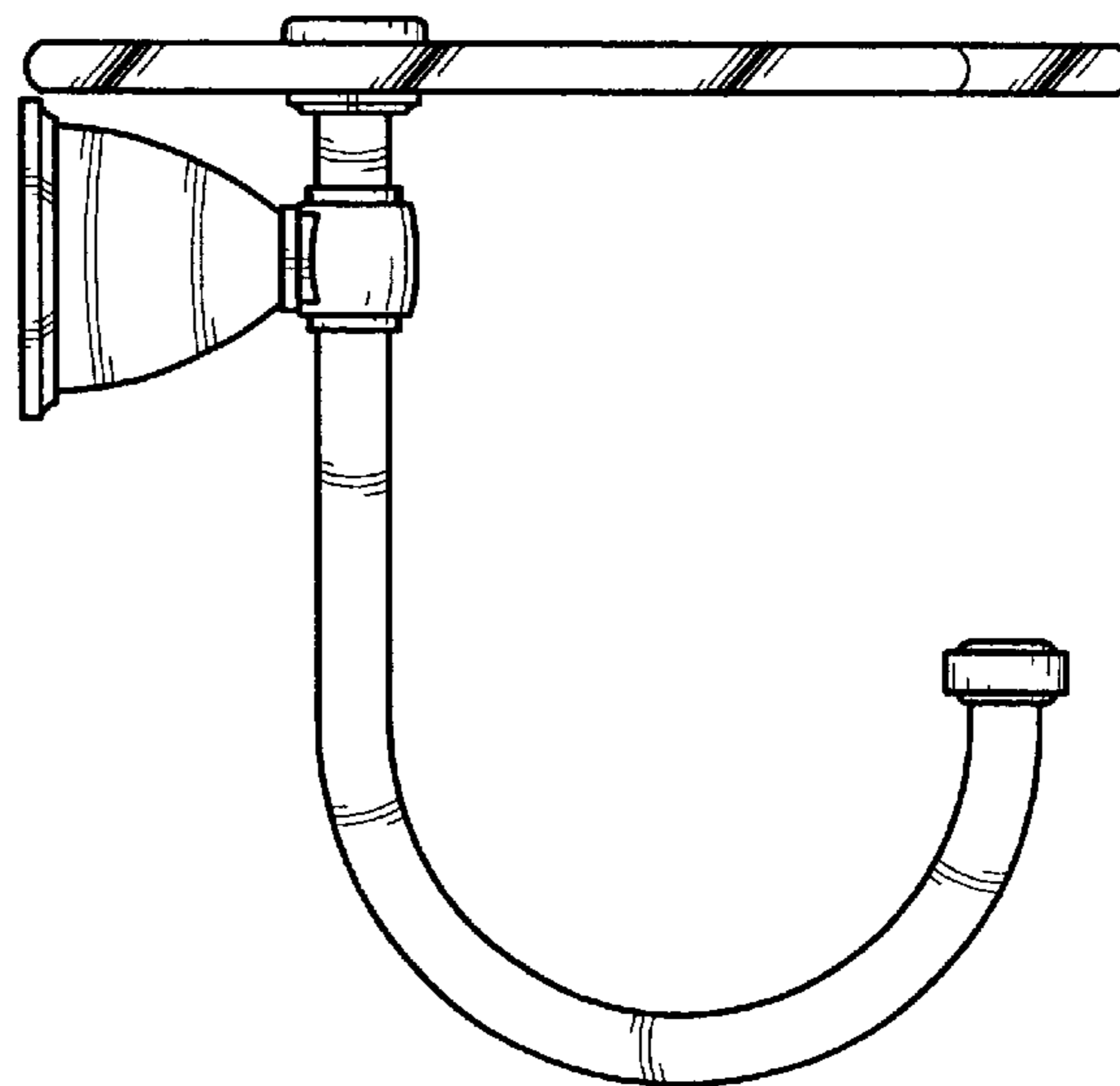


Figure - 2

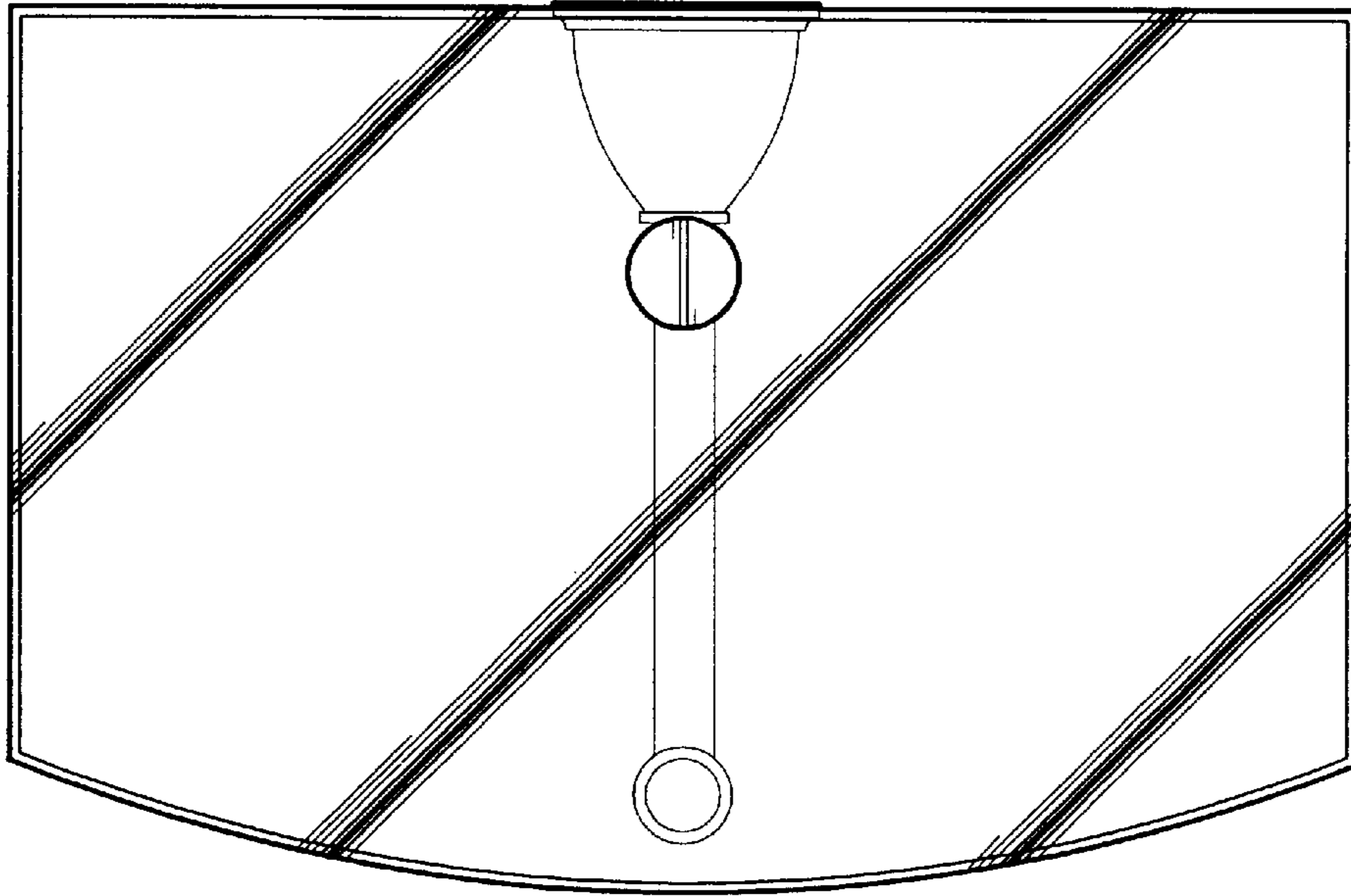


Figure - 3

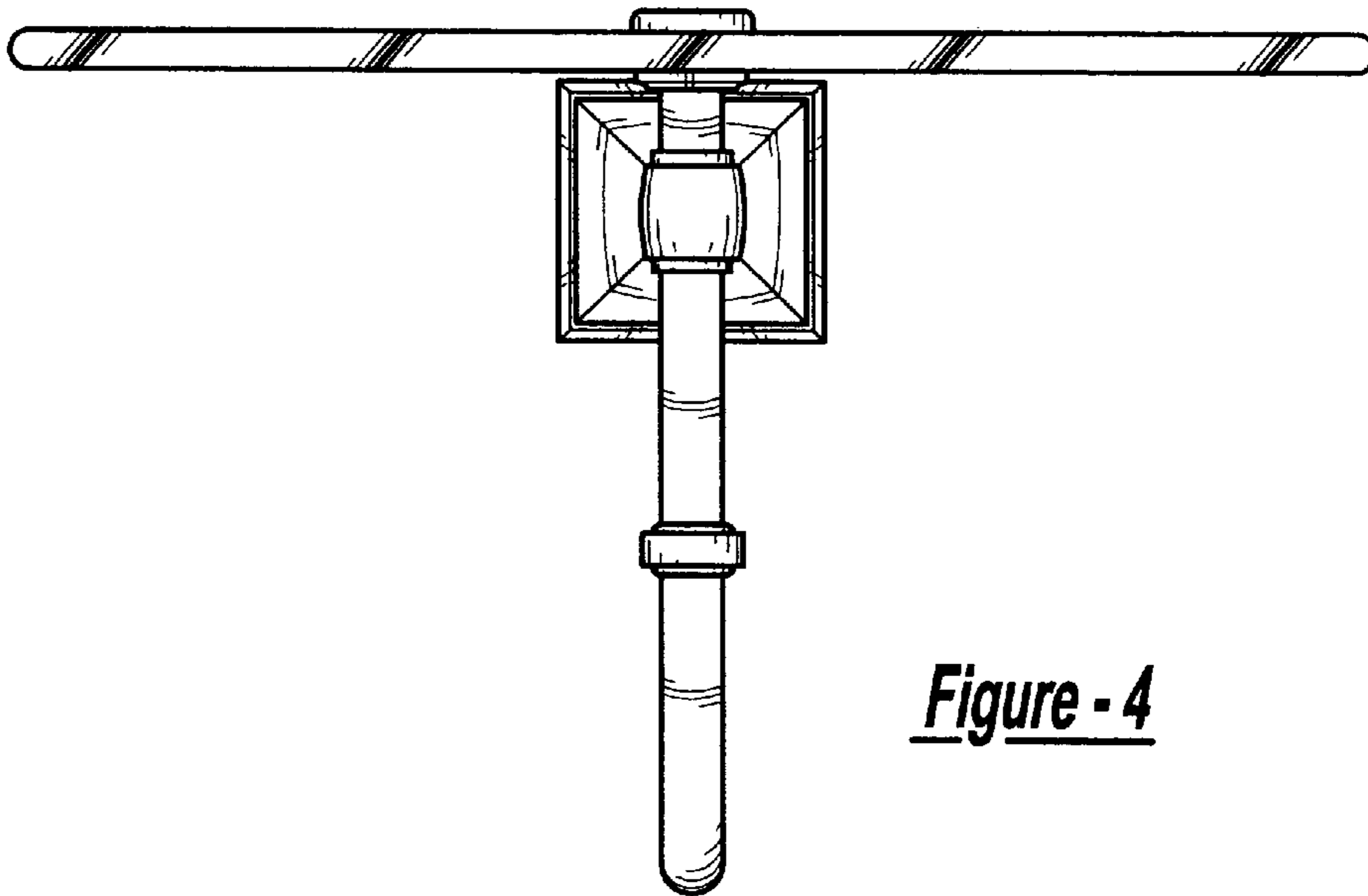


Figure - 4

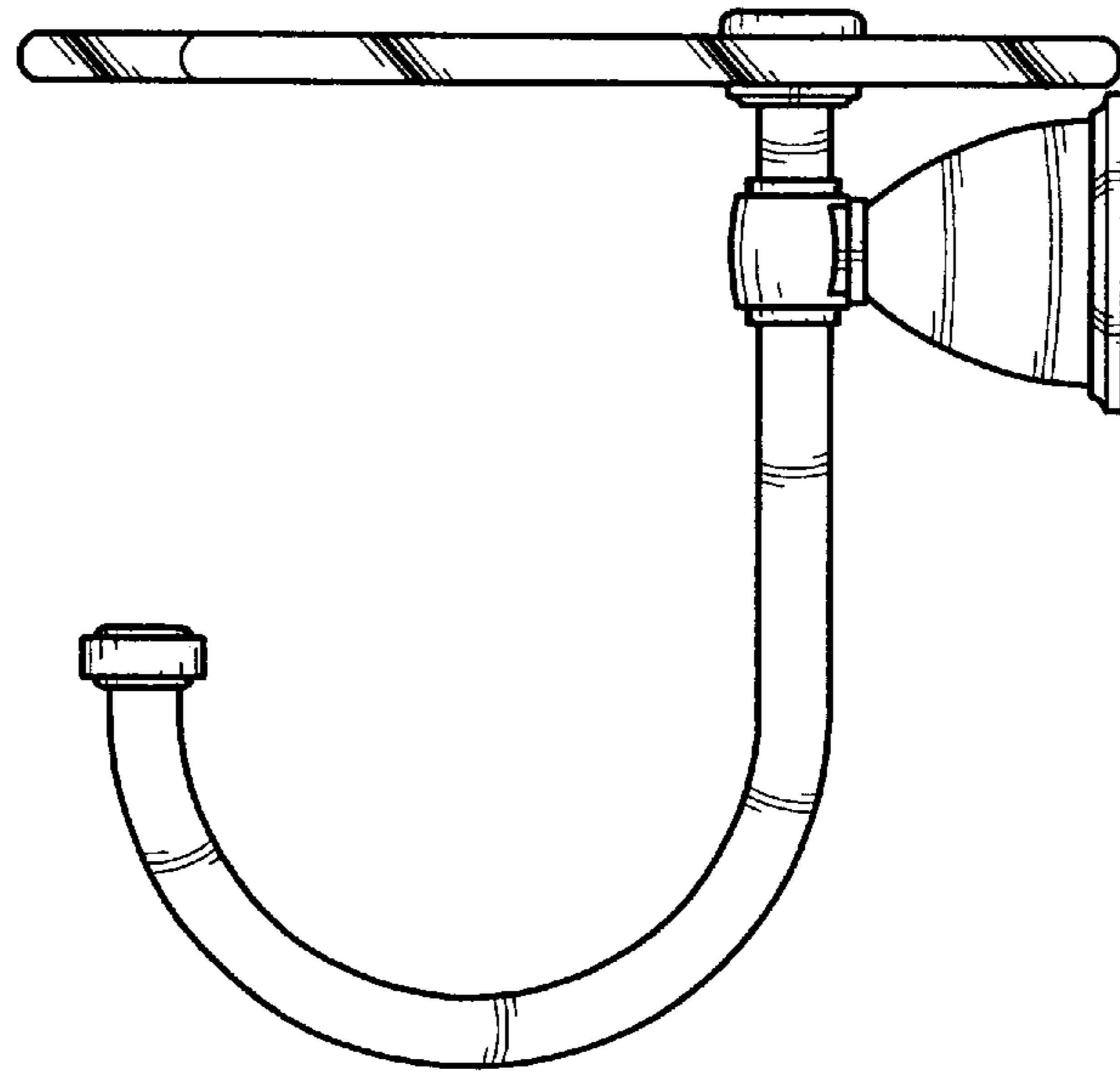


Figure - 5

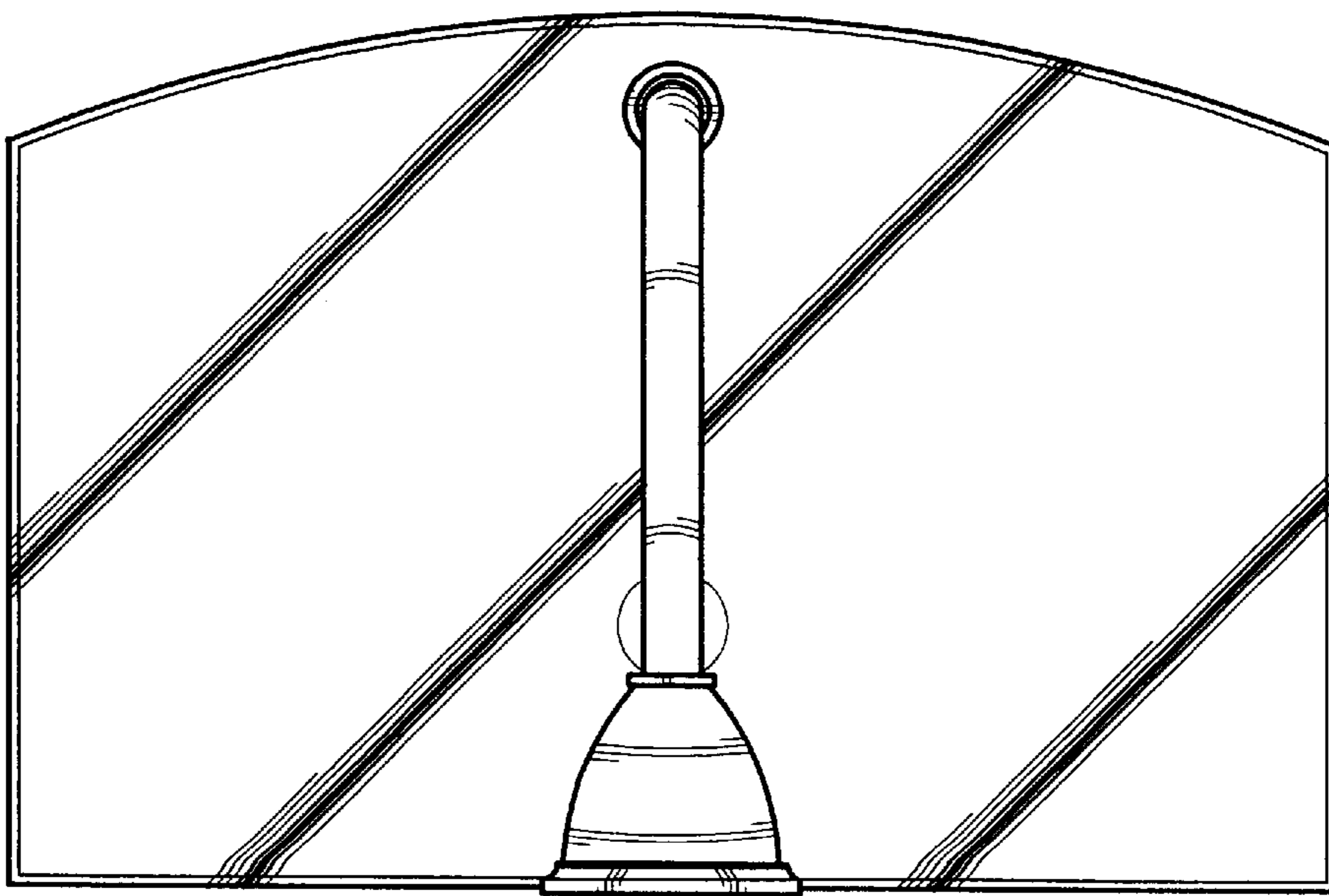


Figure - 6

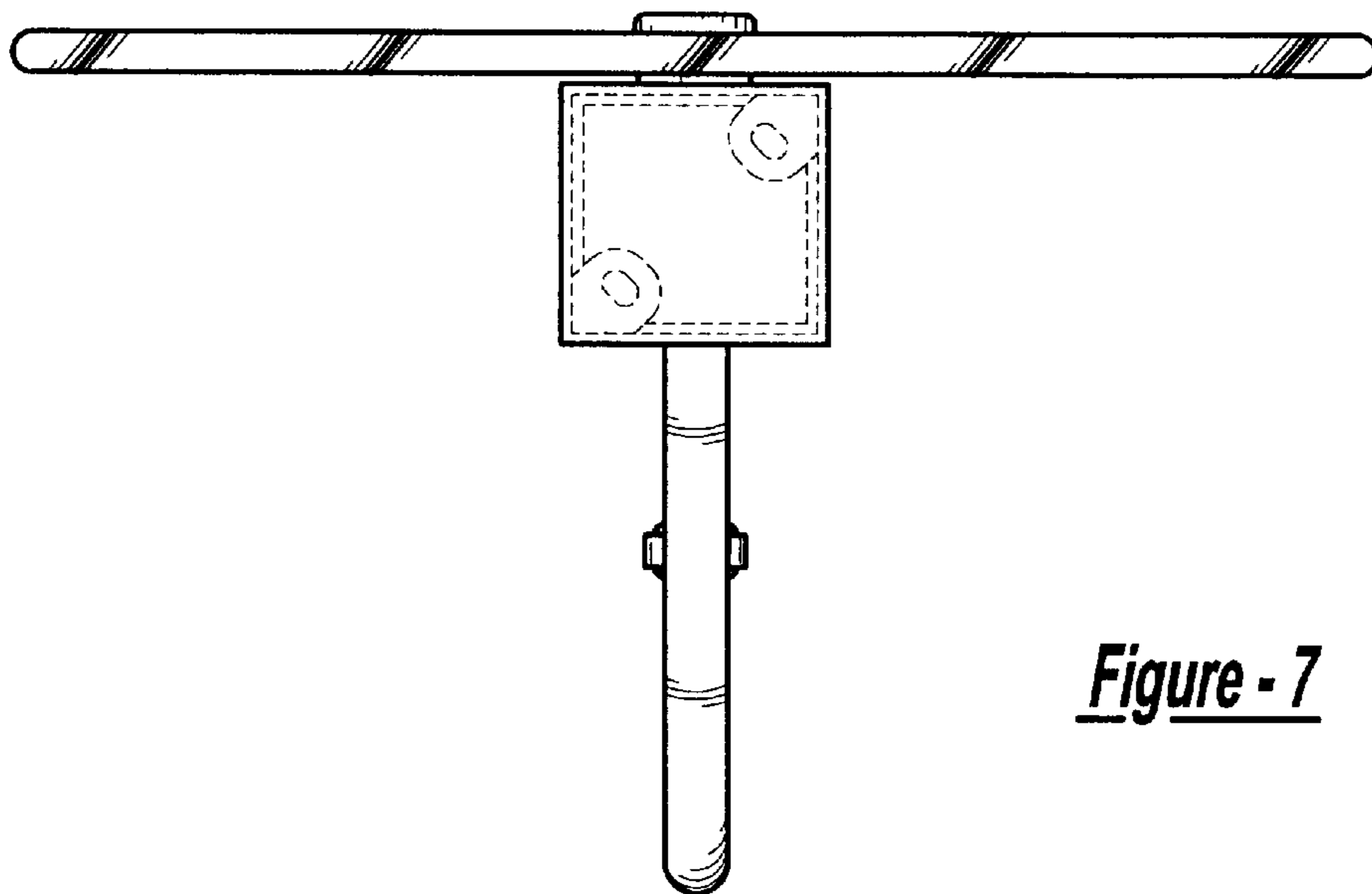


Figure - 7