



US00D483974S

(12) **United States Design Patent**
Reed

(10) **Patent No.:** **US D483,974 S**

(45) **Date of Patent:** **** Dec. 23, 2003**

(54) **AUTOMATIC SOAP DISPENSER**

D378,642 S * 4/1997 DeGennaro D6/542

(76) Inventor: **Dale J. Reed**, 1170 Fox Hills Dr.,
Howell, MI (US) 48843

* cited by examiner

(**) Term: **14 Years**

Primary Examiner—Brian N. Vinson

(74) *Attorney, Agent, or Firm*—Donald J. Ersler

(21) Appl. No.: **29/166,084**

(57) **CLAIM**

(22) Filed: **Aug. 22, 2002**

The ornamental design for an automatic soap dispenser, as shown and described.

(51) **LOC (7) Cl.** **23-02**

DESCRIPTION

(52) **U.S. Cl.** **D6/542**

(58) **Field of Search** D6/542-545; 211/131,
211/85.12, 71.01, 74; 221/282, 283, 284;
222/173, 180, 181.1-181.3; 206/77.1

FIG. 1 is a top perspective view of an automatic soap dispenser incorporating my new design;

FIG. 2 is a bottom perspective view thereof;

FIG. 3 is a left elevation view thereof with the right side elevation view being a mirror image of the left side elevation view;

FIG. 4 is a front elevation view thereof;

FIG. 5 is a rear elevation view thereof;

FIG. 6 is a top plan view thereof; and,

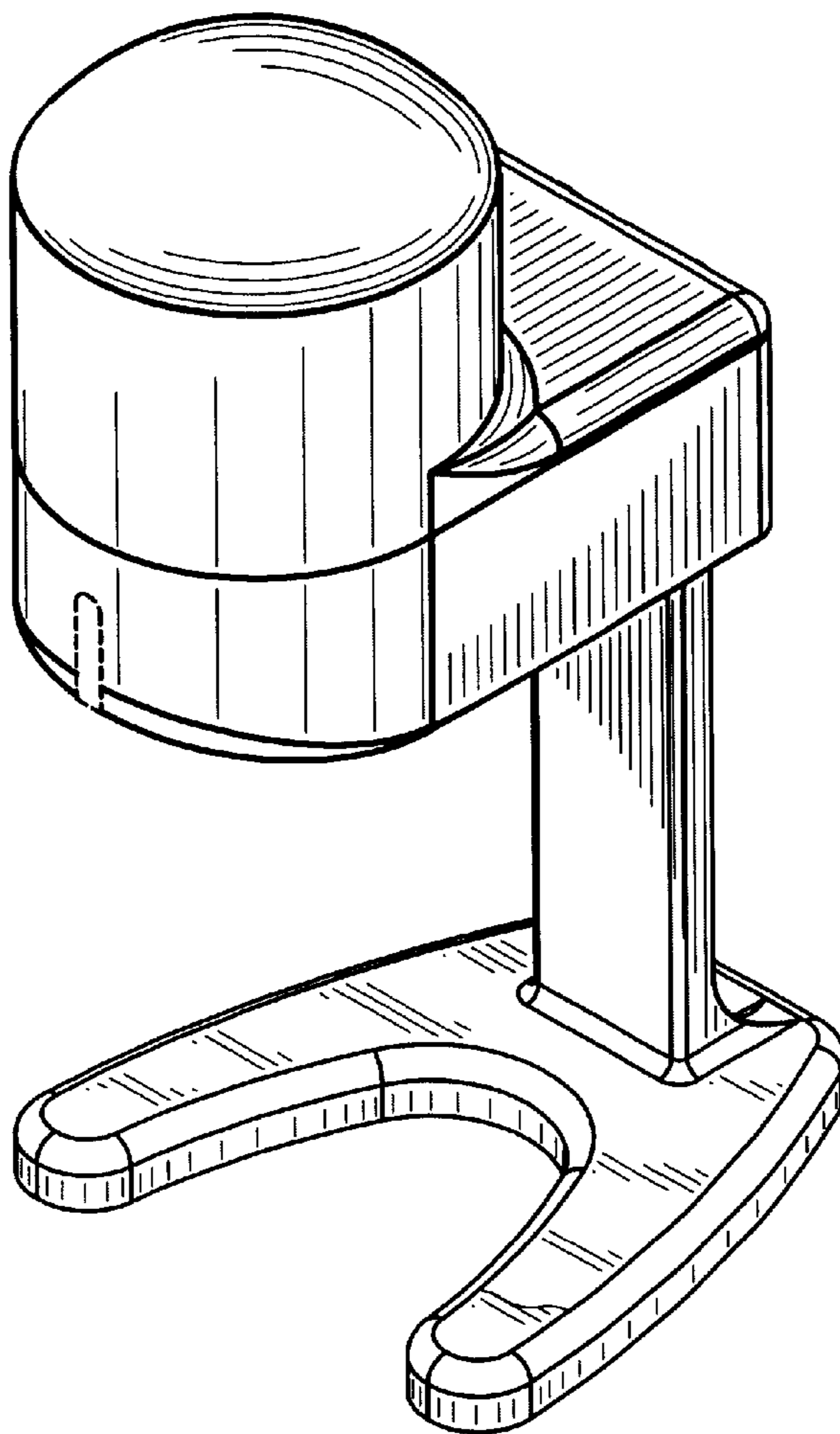
FIG. 7 is a bottom plan view thereof.

(56) **References Cited**

U.S. PATENT DOCUMENTS

- 2,965,267 A * 12/1960 Darr 222/181.2
- D194,344 S * 1/1963 Parker D6/542
- D319,634 S * 9/1991 Honda D14/105
- D321,453 S * 11/1991 Ophardt D7/300

1 Claim, 3 Drawing Sheets



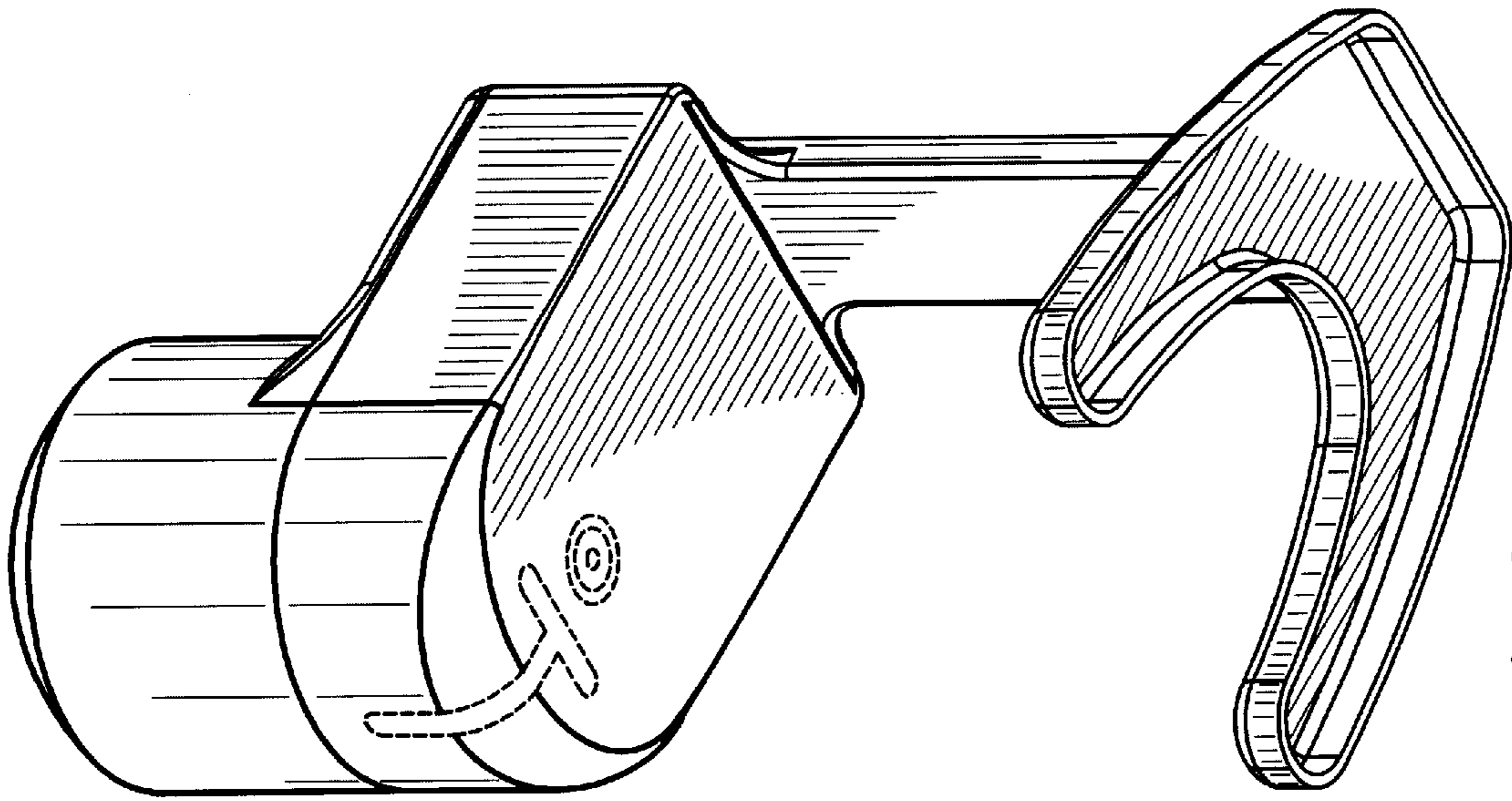


Fig. 2

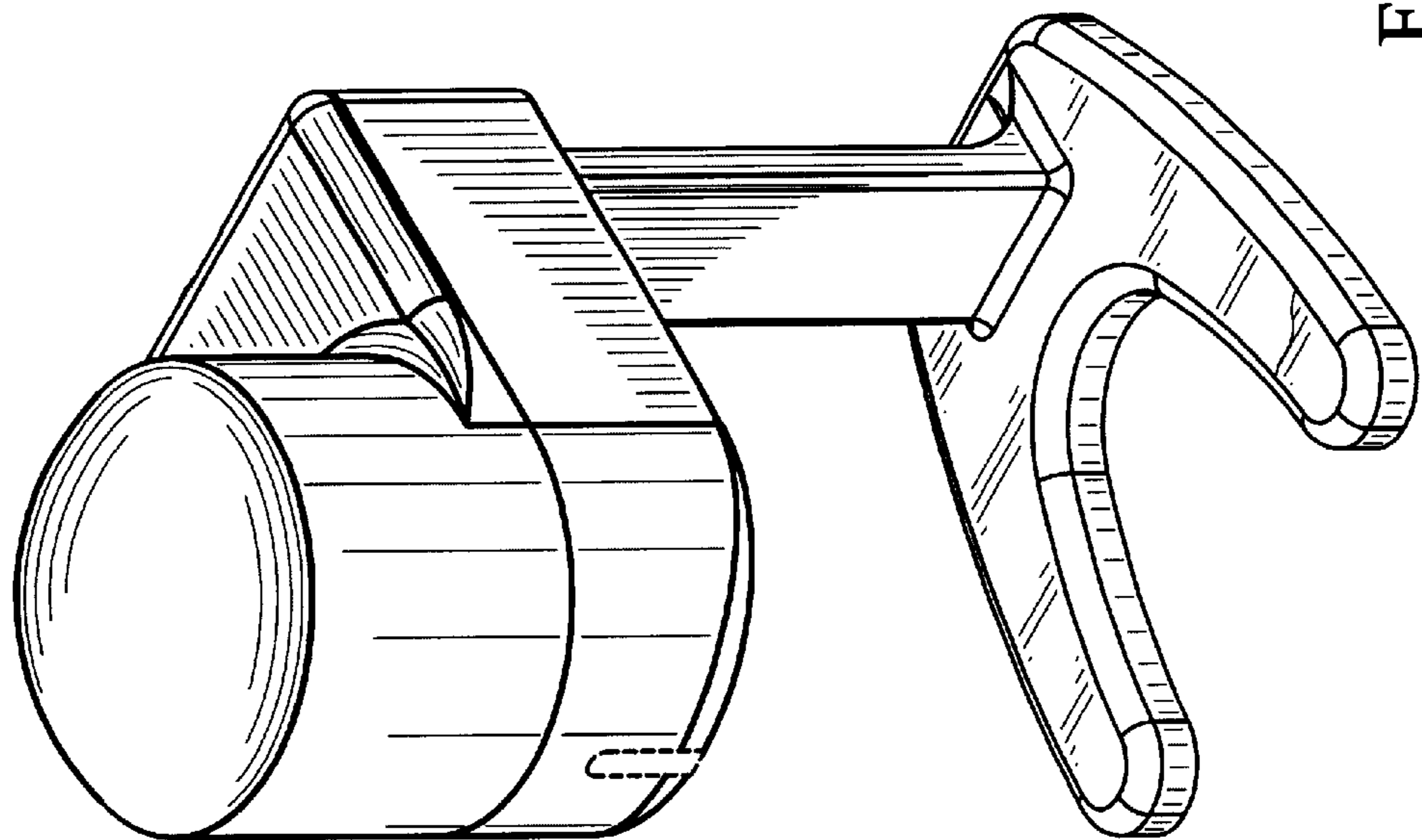


Fig. 1

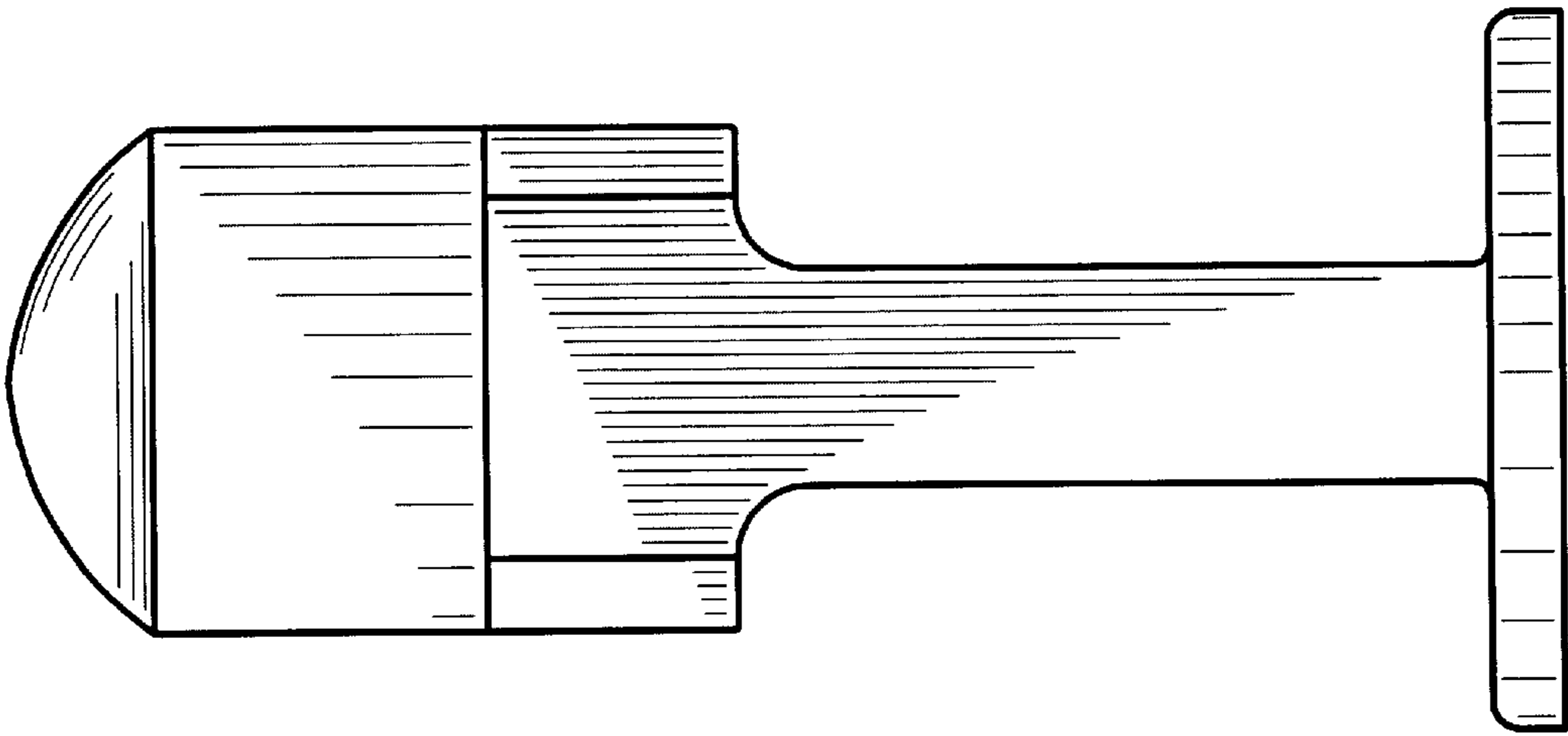


Fig. 5

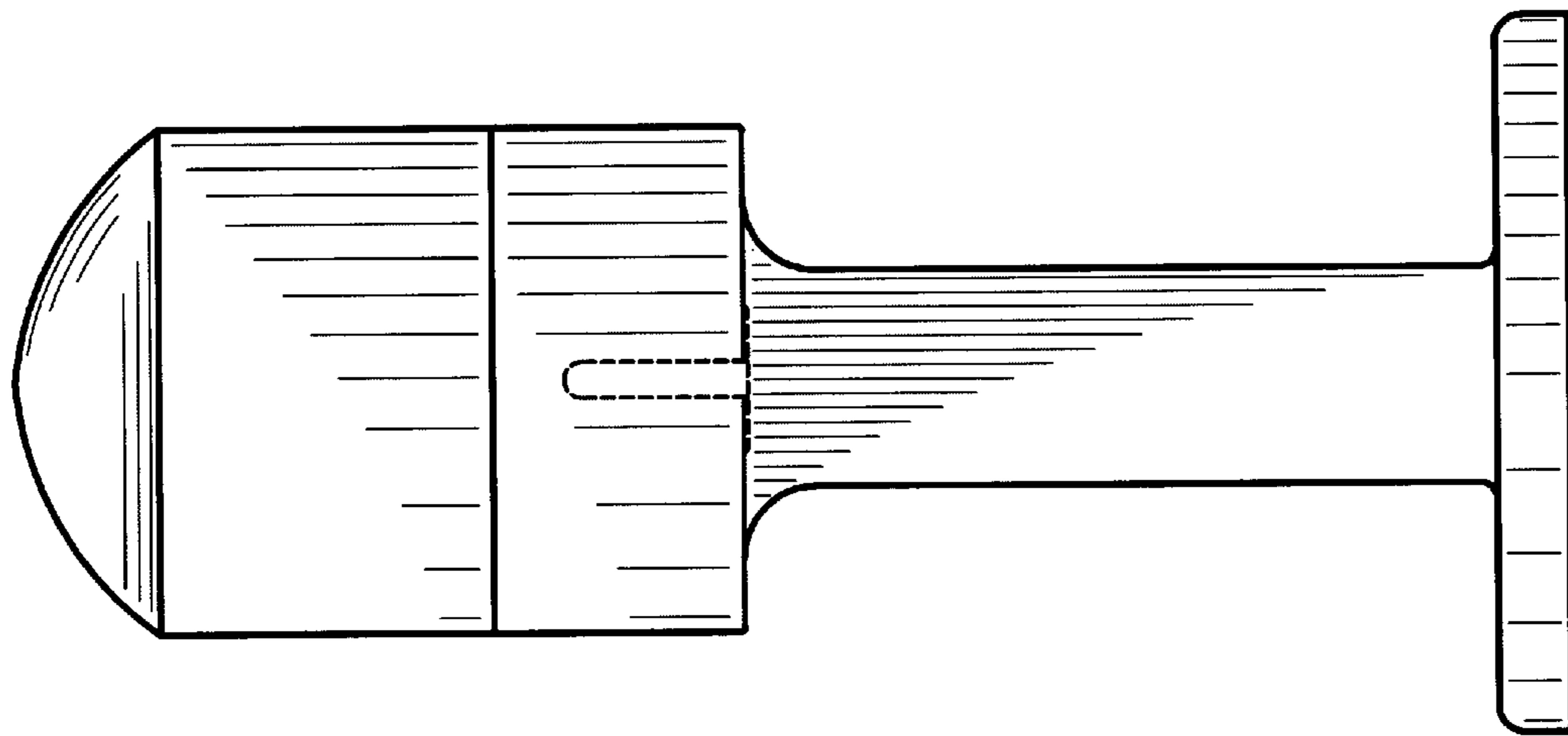


Fig. 4

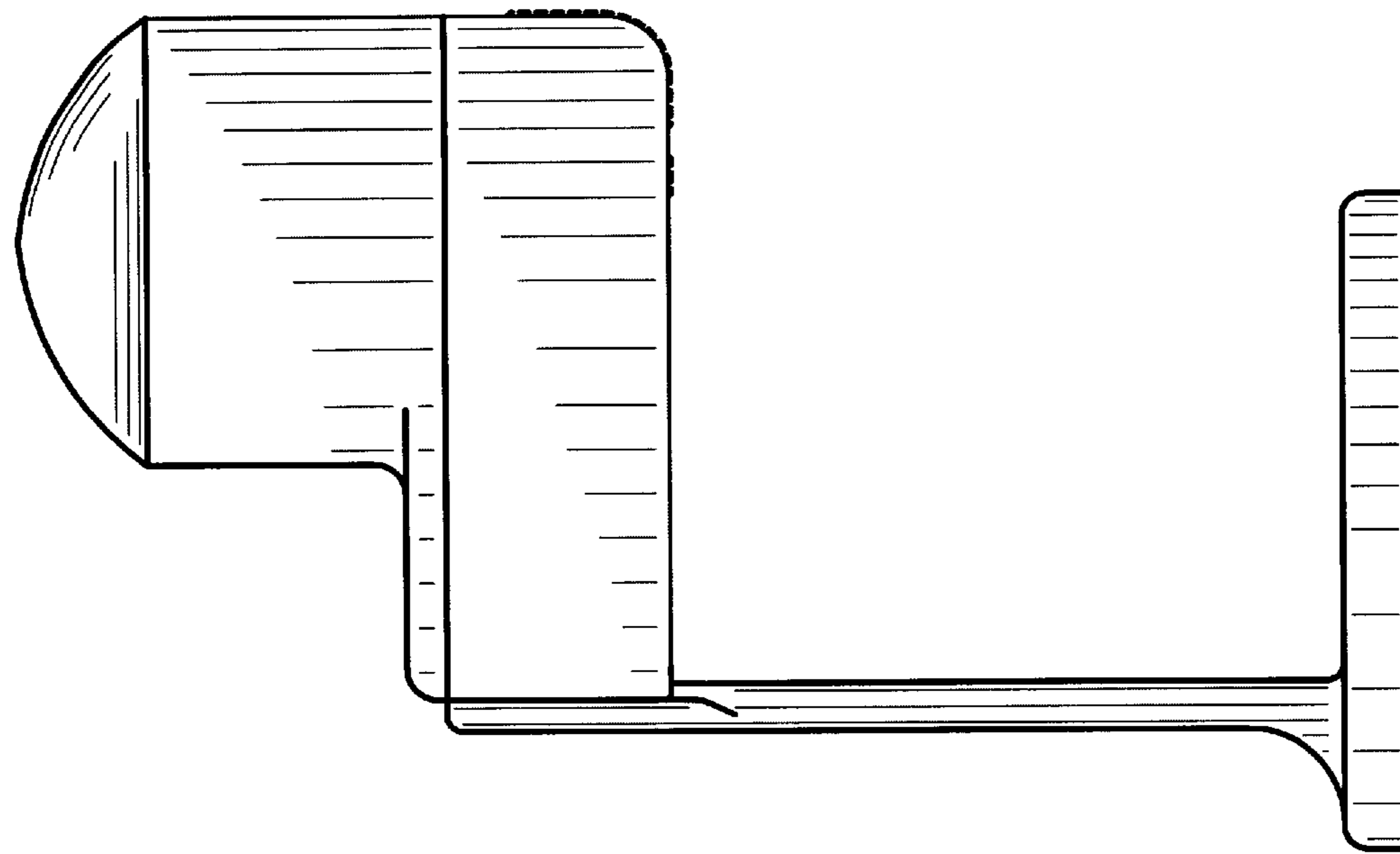


Fig. 3

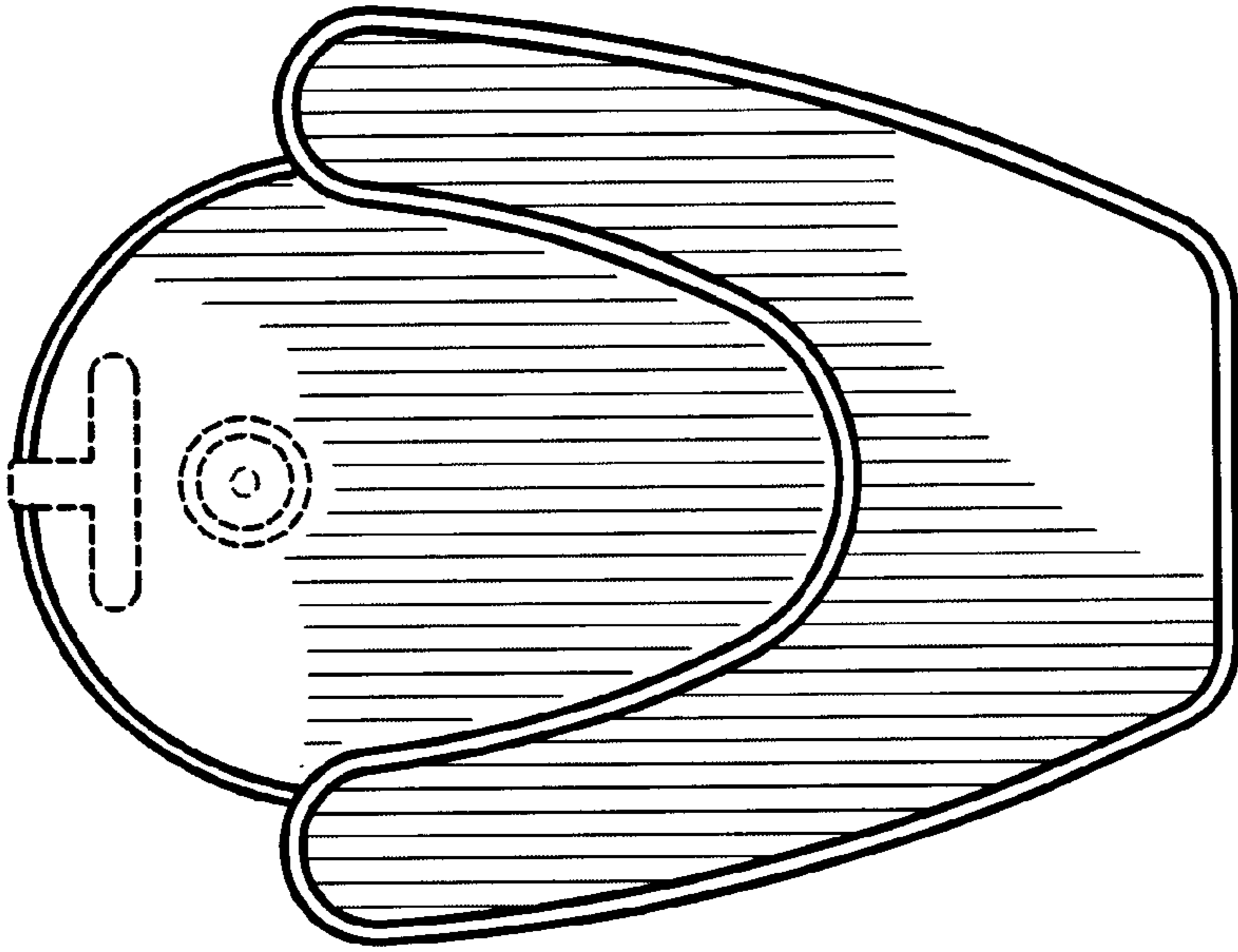


Fig. 7

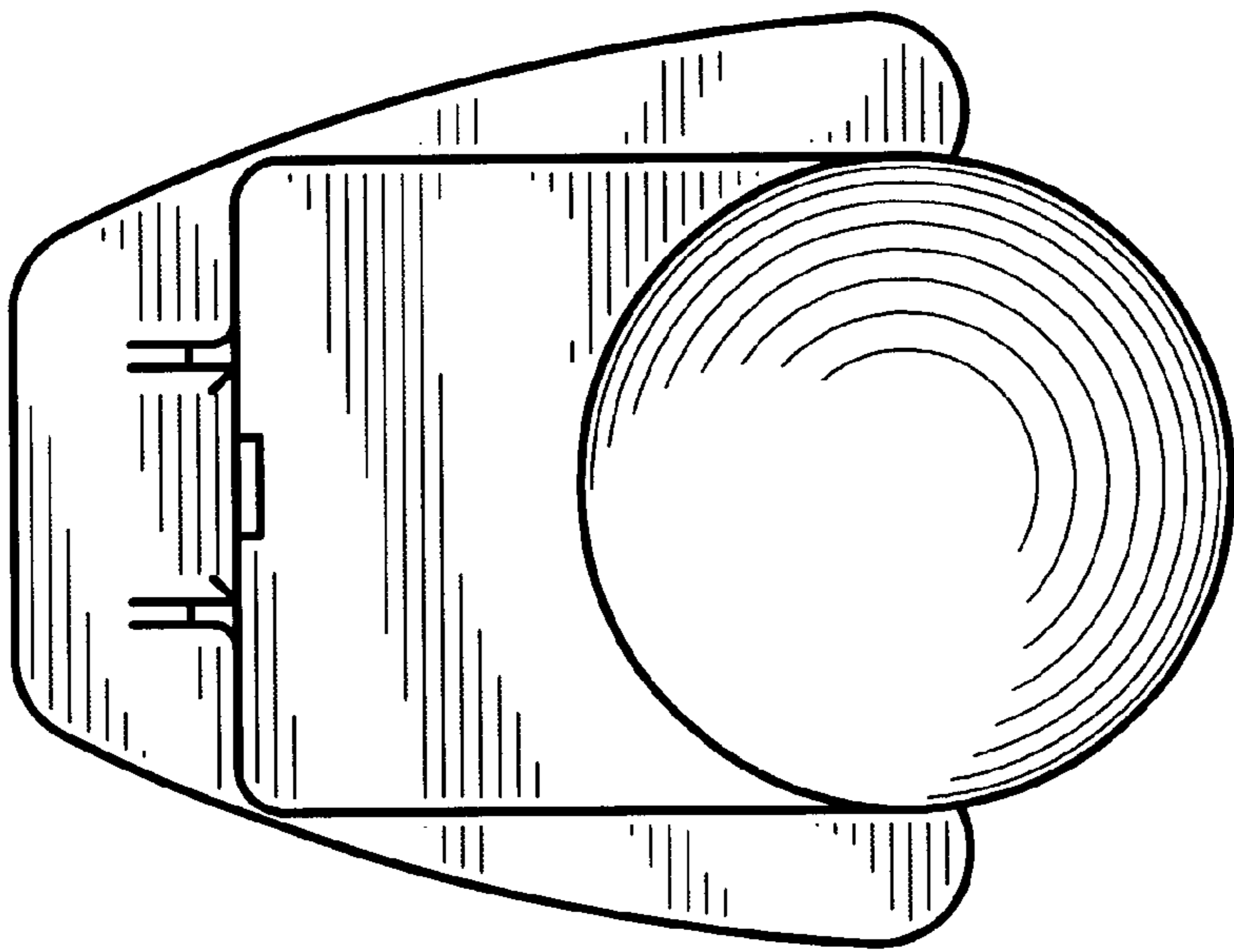


Fig. 6