



US00D483973S

(12) **United States Design Patent**  
**Harrod**

(10) **Patent No.:** **US D483,973 S**

(45) **Date of Patent:** **\*\* Dec. 23, 2003**

(54) **TOOTHBRUSH HOLDER**

(75) **Inventor:** **Richard James Harrod, Surry Hills (AU)**

(73) **Assignee:** **Sunbeam Corporation Limited, Botany (AU)**

(\*\*) **Term:** **14 Years**

(21) **Appl. No.:** **29/174,965**

(22) **Filed:** **Jan. 27, 2003**

(30) **Foreign Application Priority Data**

Sep. 4, 2002 (AU) ..... 2778/2002

(51) **LOC (7) Cl.** ..... **23-02**

(52) **U.S. Cl.** ..... **D6/534**

(58) **Field of Search** ..... D6/534, 528; D11/125, D11/127, 133, 134, 157, 158; 206/361, 362, 362.1, 362.2, 362.3; 211/13.1, 65, 69.5; 248/309.1, 310, 314

(56) **References Cited**

**U.S. PATENT DOCUMENTS**

D183,151 S \* 7/1958 Varner et al. .... D6/534  
3,138,813 A \* 6/1964 Kaplan ..... D6/534 X  
D279,248 S \* 6/1985 Oliver ..... D6/534

5,444,889 A \* 8/1995 Barre ..... D6/534 X  
D370,147 S \* 5/1996 Petronio ..... D6/534  
D394,772 S \* 6/1998 Tungol et al. .... D6/534  
D403,906 S \* 1/1999 Gotti ..... D6/524  
D475,874 S \* 6/2003 Hensel ..... D6/534  
D476,182 S \* 6/2003 Hensel ..... D6/534

\* cited by examiner

*Primary Examiner*—Brian N. Vinson

(74) *Attorney, Agent, or Firm*—Townsend and Townsend and Crew, LLP

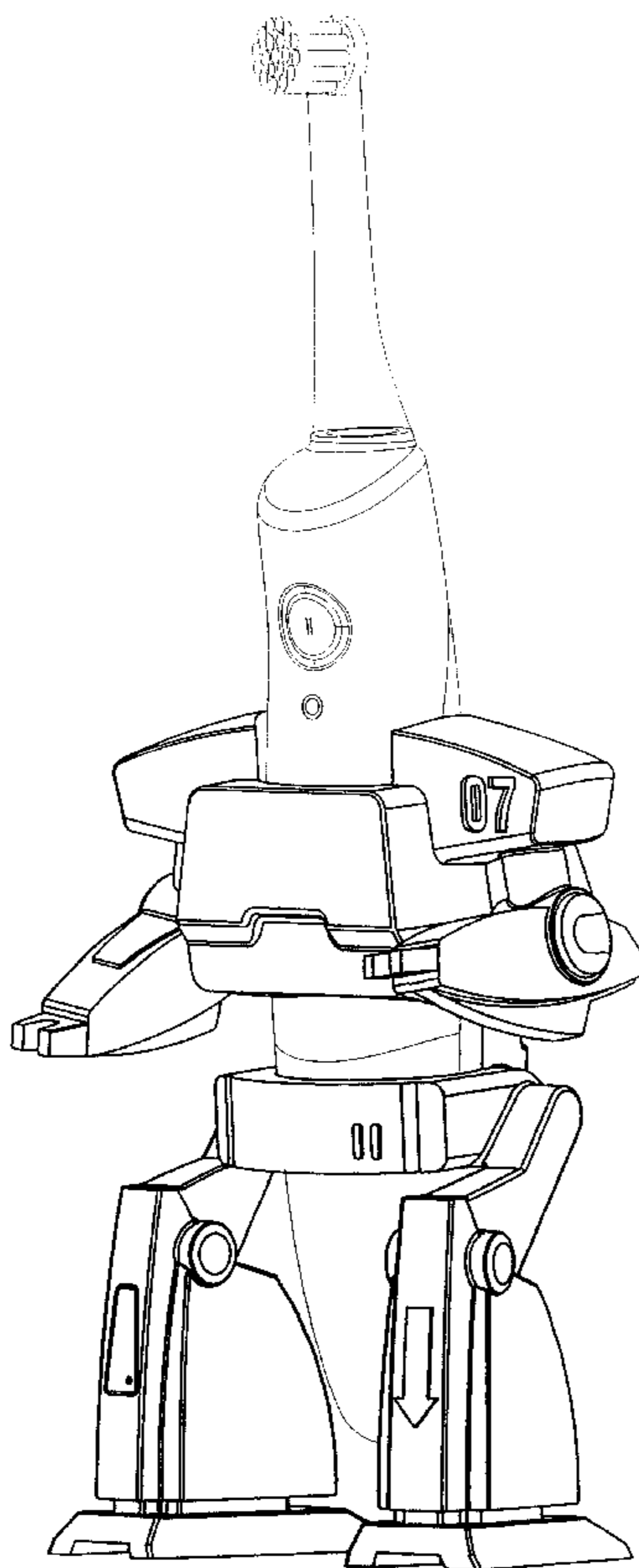
(57) **CLAIM**

The ornamental design for a toothbrush holder, as shown.

**DESCRIPTION**

FIG. 1. is a Front Perspective view showing my new design;  
FIG. 2 is a Front View thereof;  
FIG. 3 is a Back View thereof;  
FIG. 4 is a Top View thereof;  
FIG. 5 is a Bottom View thereof;  
FIG. 6 is a Left View thereof;  
FIG. 7 is a Right View thereof; and,  
FIG. 8 is an Isometric View of holder with brush.  
The broken-line disclosure of the toothbrush in the views is for illustrative purposes only and forms no part of the claimed design.

**1 Claim, 8 Drawing Sheets**



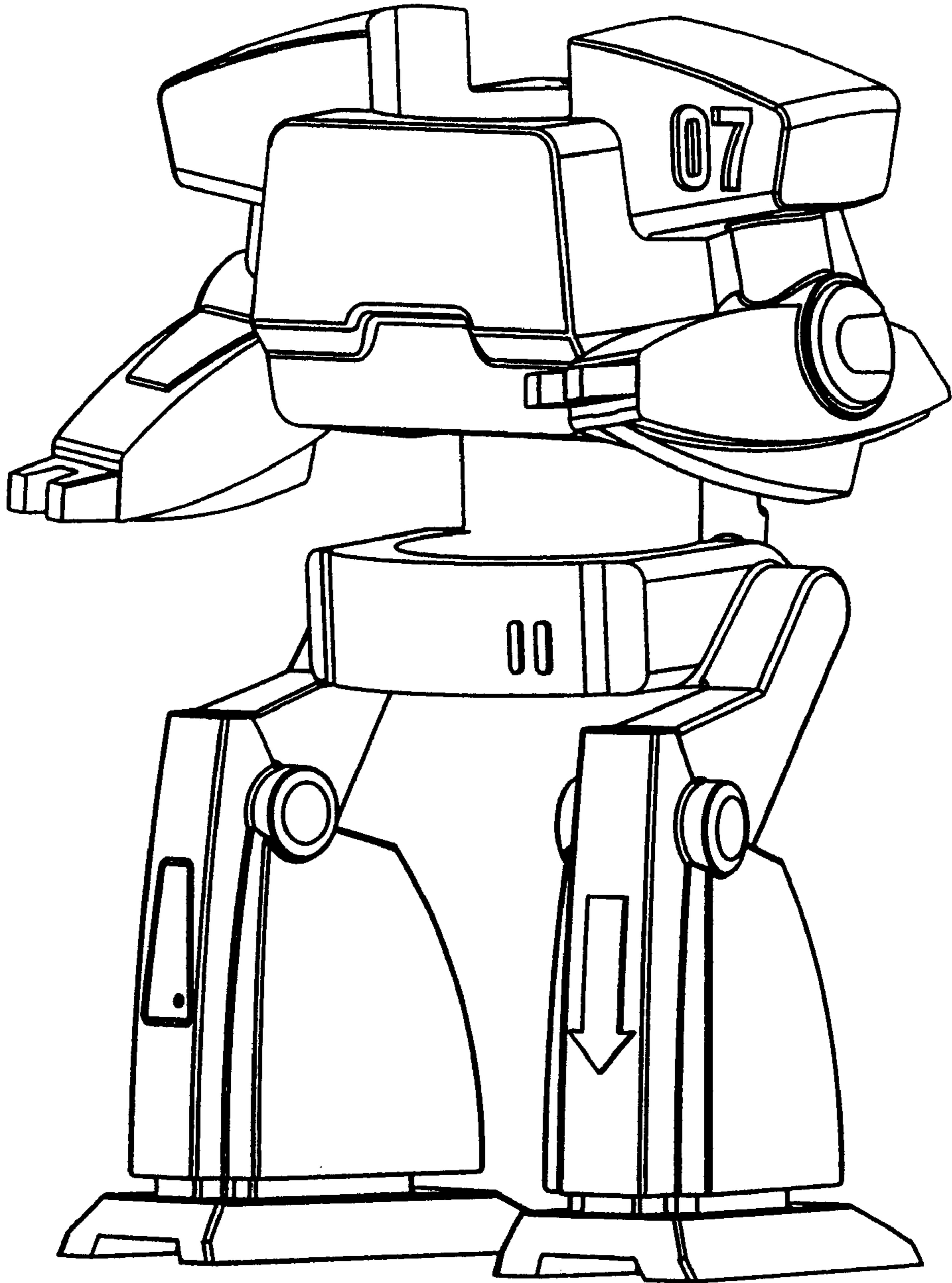


FIG. 1

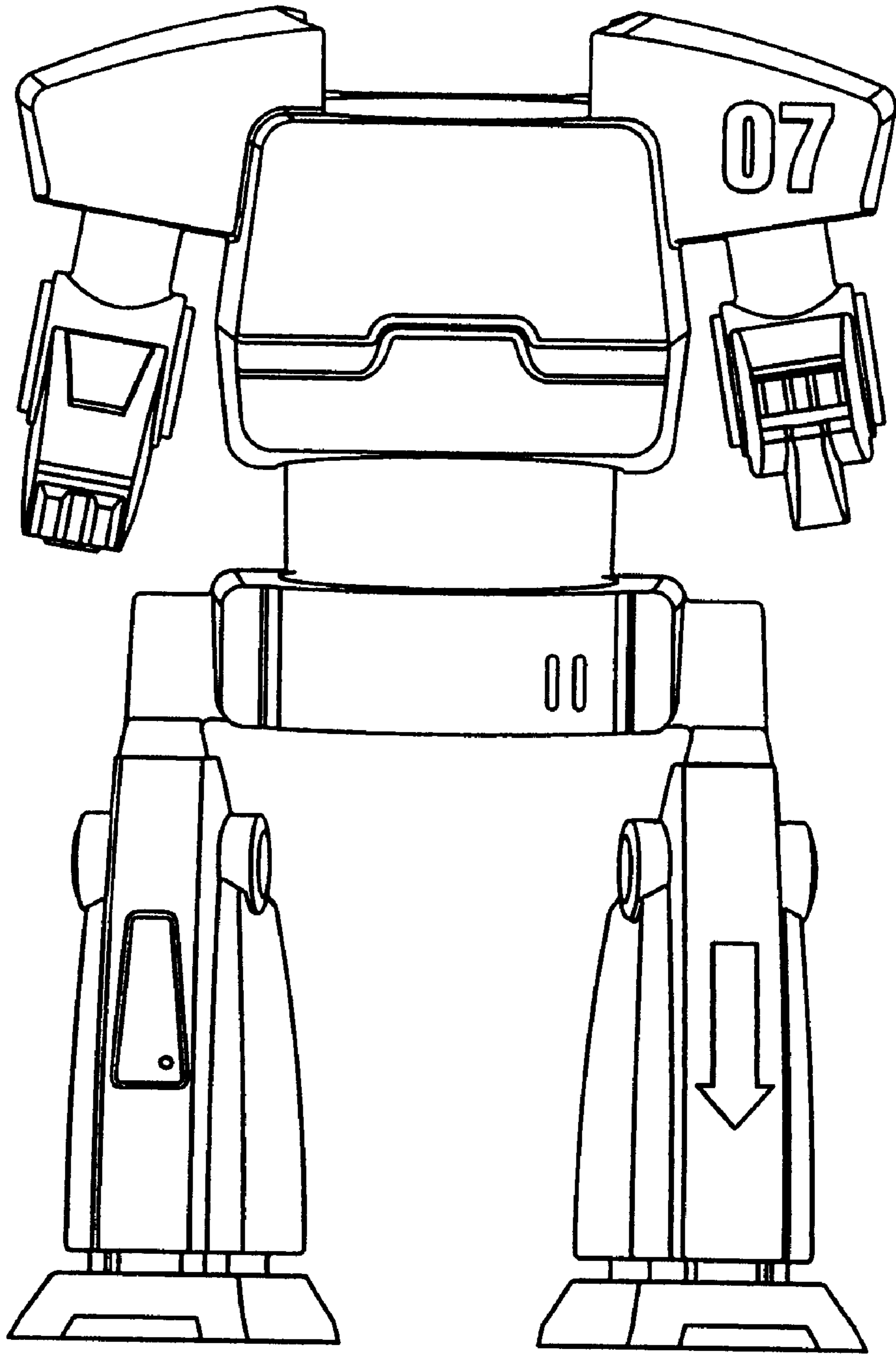


FIG. 2

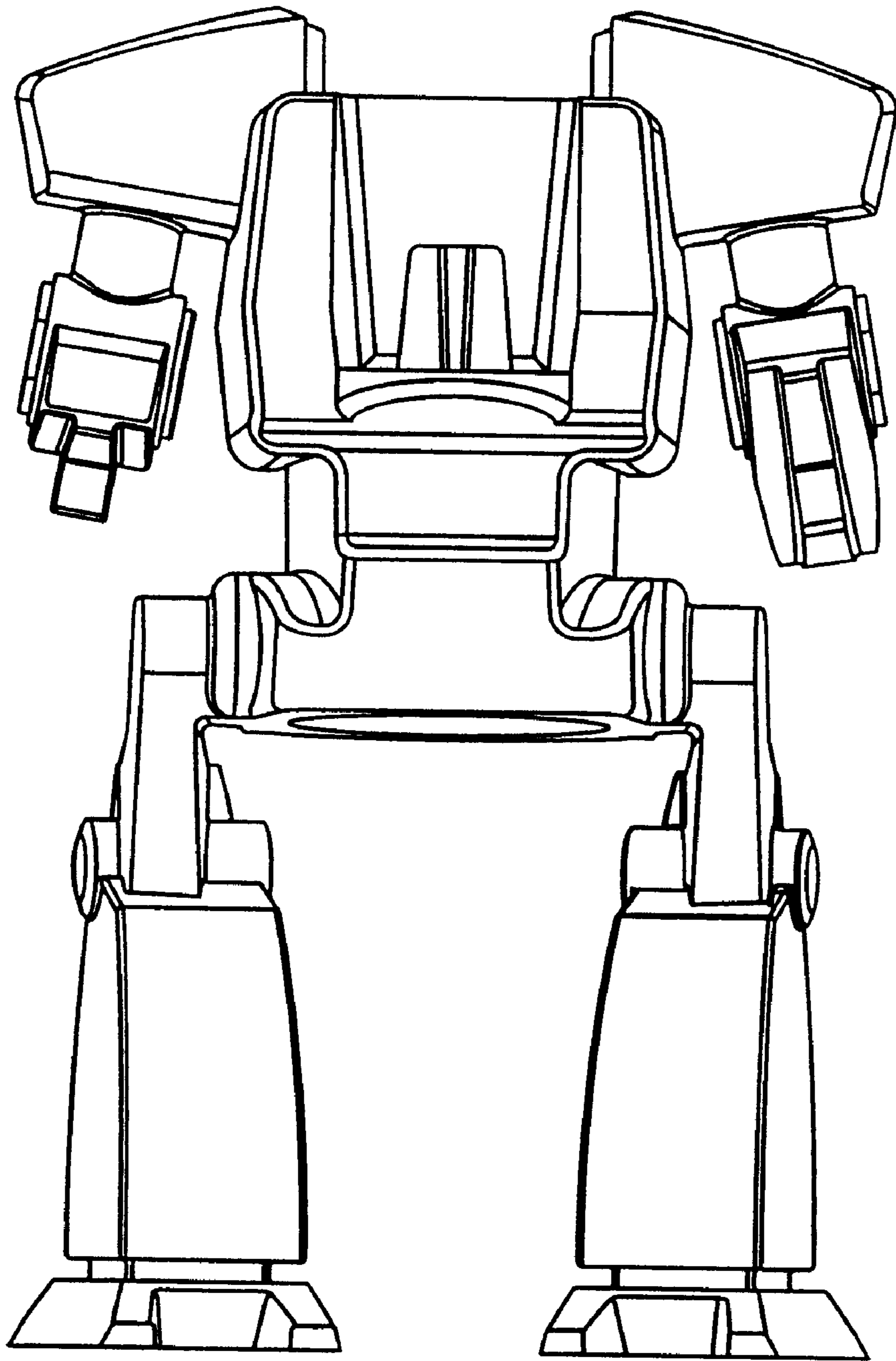


FIG. 3

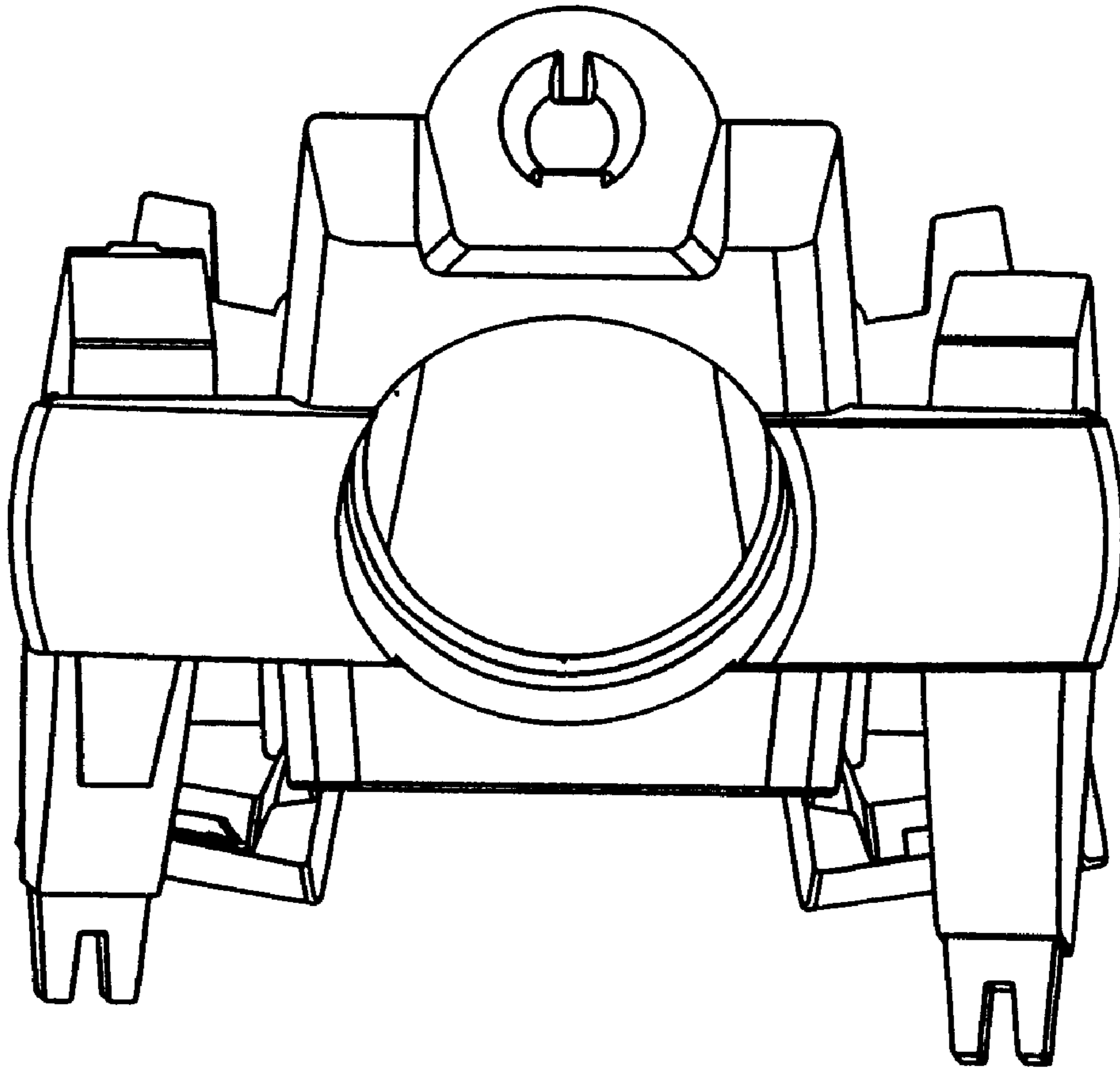


FIG. 4

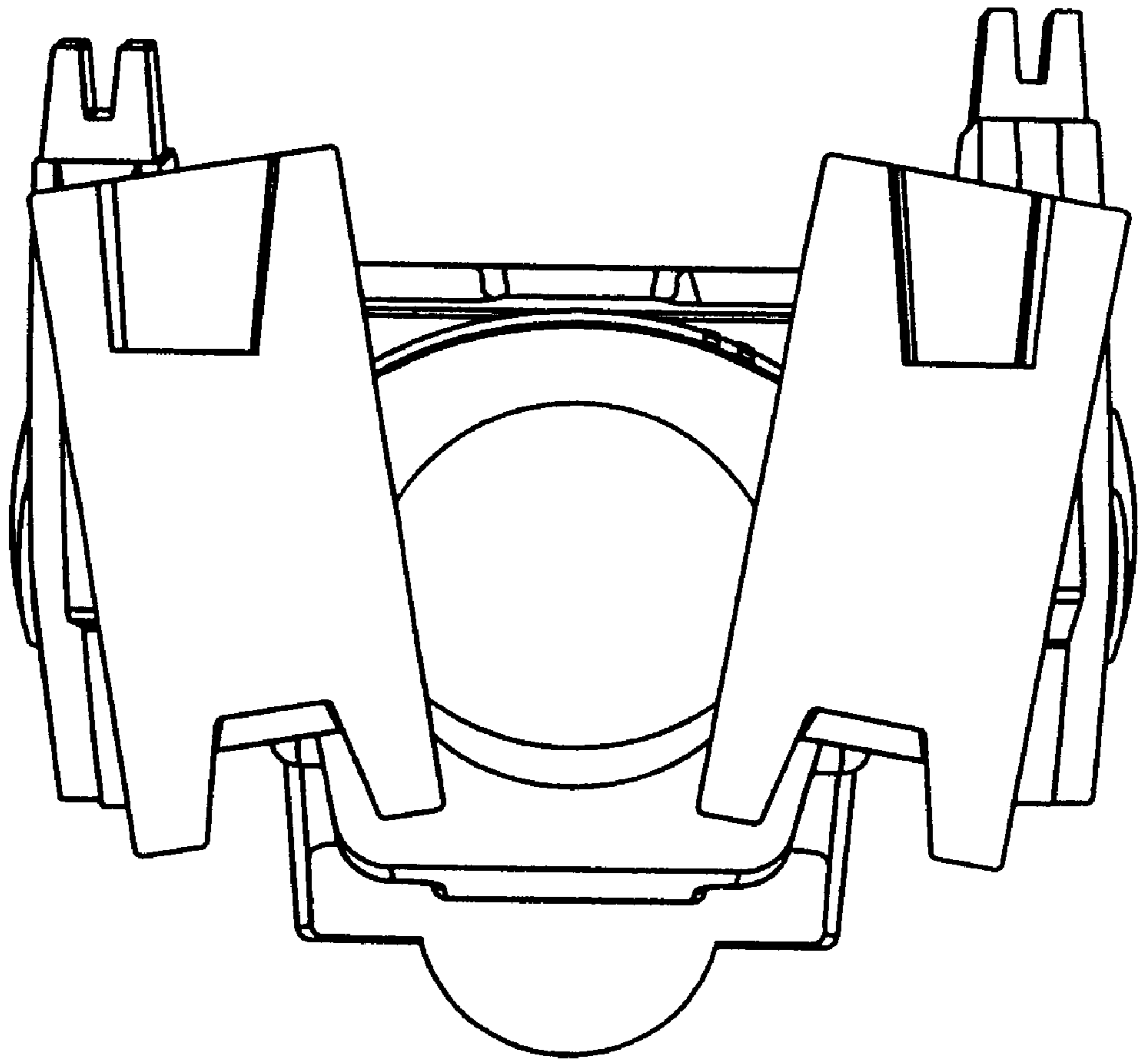


FIG. 5

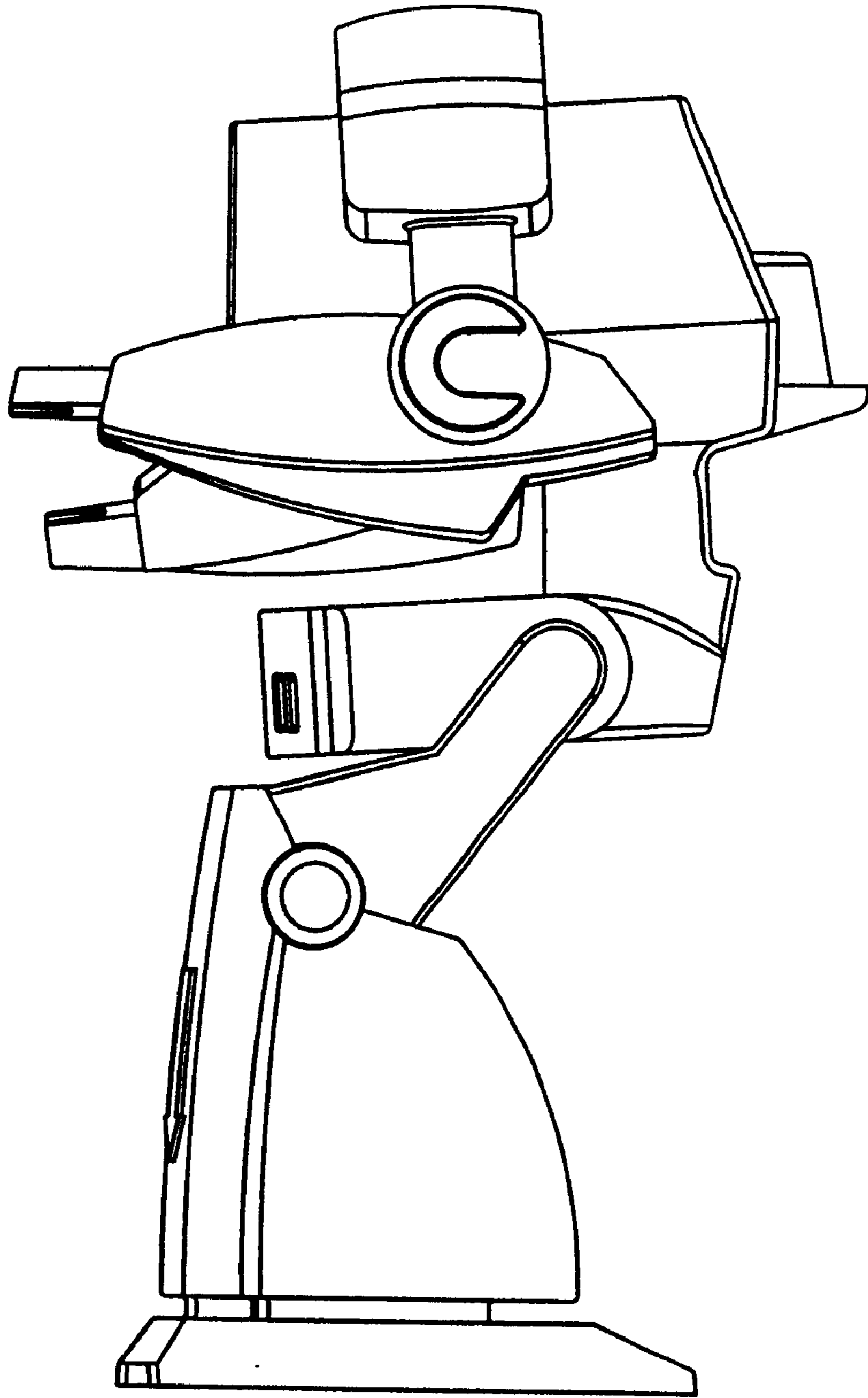


FIG. 6

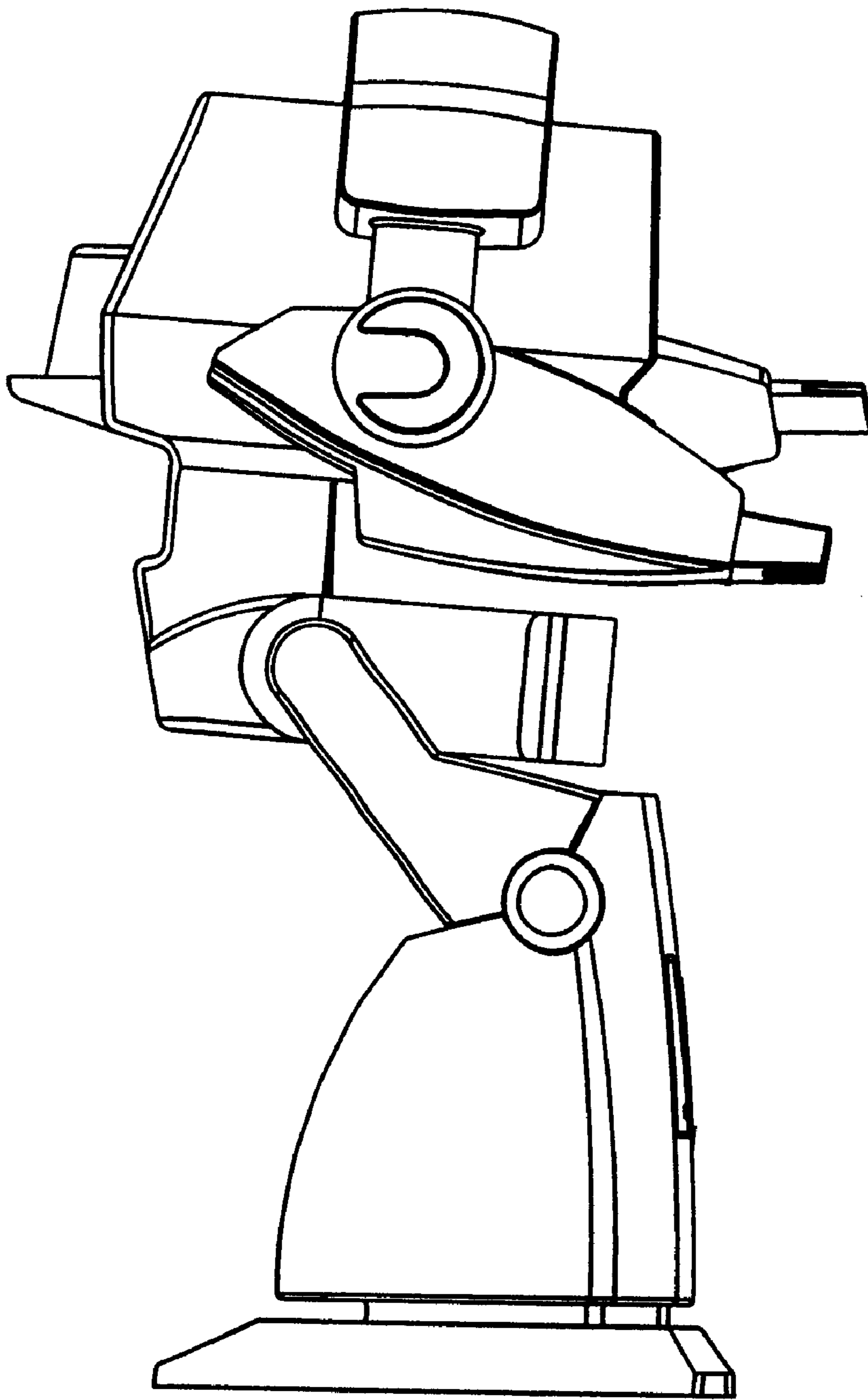


FIG. 7



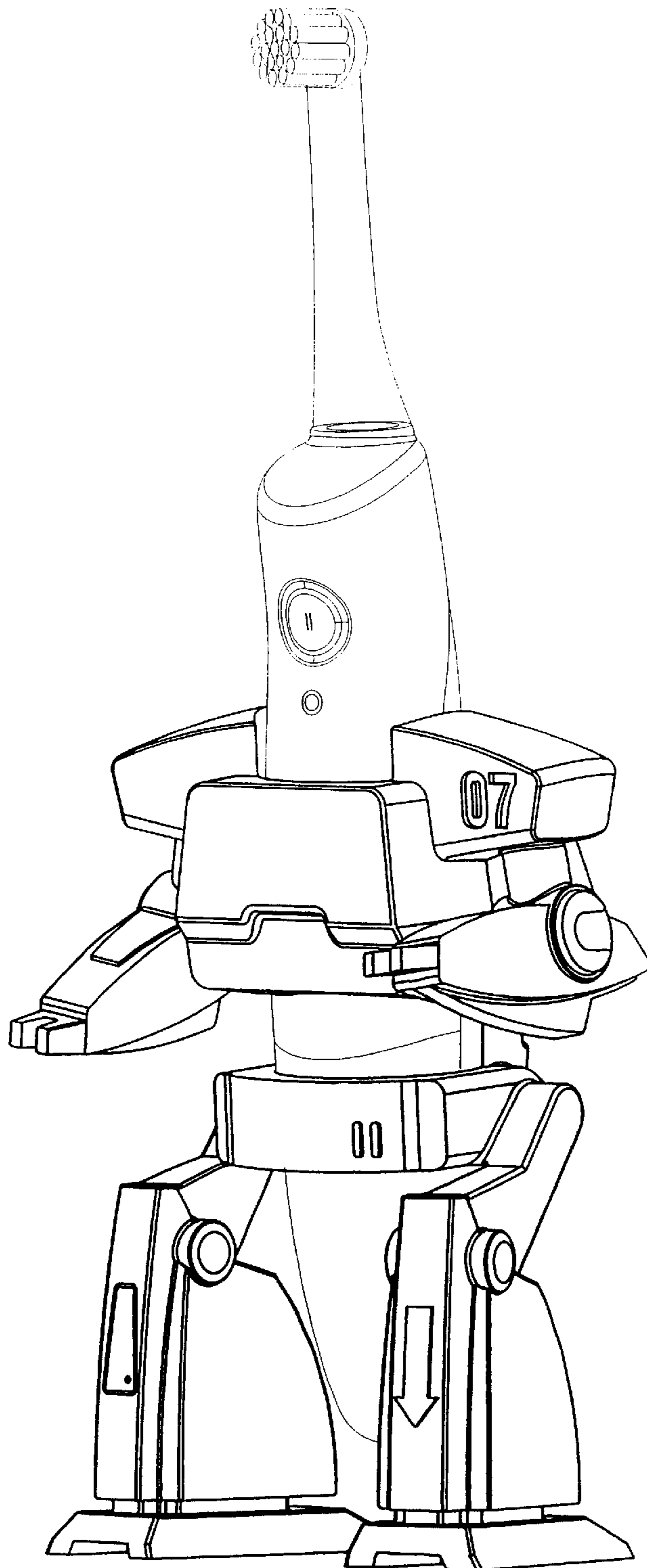


FIG. 8