



US00D483970S

(12) **United States Design Patent**
Lin

(10) **Patent No.:** **US D483,970 S**

(45) **Date of Patent:** **** Dec. 23, 2003**

(54) **TABLE TOP**

Primary Examiner—Janice E. Seeger

(76) Inventor: **Ming Mo Lin**, P.O. Box 63-298,
Taichung (TW), 406

(57) **CLAIM**

(**) Term: **14 Years**

The ornamental design for a table top, as shown and described.

(21) Appl. No.: **29/176,288**

DESCRIPTION

(22) Filed: **Feb. 14, 2003**

(51) **LOC (7) Cl.** **06-06**

FIG. 1 is a perspective view of a table top showing my new design;

(52) **U.S. Cl.** **D6/511**

FIG. 2 is a front elevational view thereof;

(58) **Field of Search** D6/480-489, 511,
D6/491, 406.6, 436, 477; 108/150, 153.1,
155, 156, 157.1, 161, 50.01, 50.02; D7/698

FIG. 3 is a rear elevational view thereof;

FIG. 4 is a top plan view thereof;

(56) **References Cited**

FIG. 5 is a bottom plan view thereof;

U.S. PATENT DOCUMENTS

FIG. 6 is a left side elevational view thereof;

D286,593 S * 11/1986 Yosimoto D6/440

FIG. 7 is a right side elevational view thereof; and,

OTHER PUBLICATIONS

FIG. 8 is a perspective view thereof, the legs and shelf depicted by means of broken lines being for illustrative purposes only and forming no part of the claimed design.

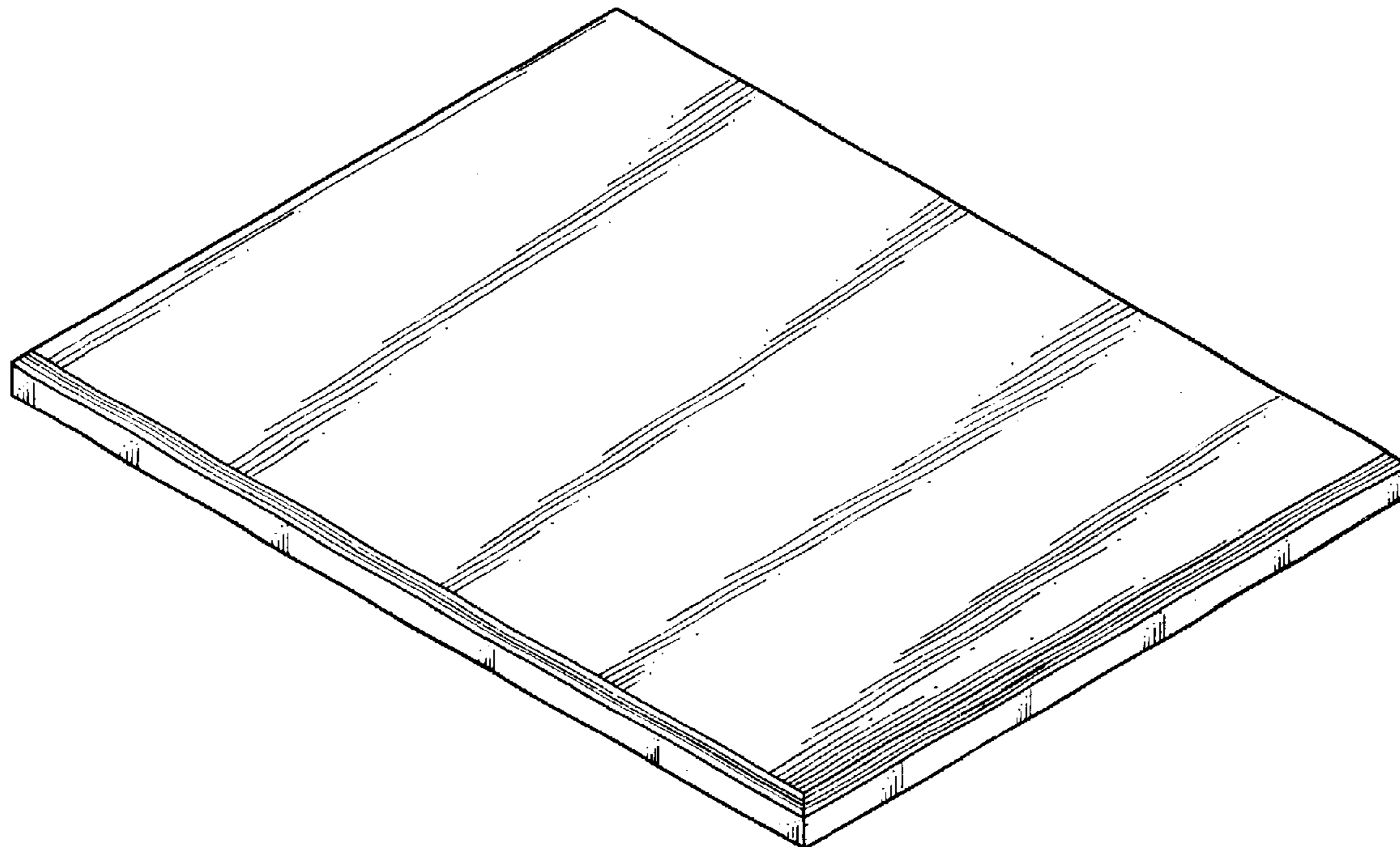
Sweets 1993, 02870/DEC, table top #9 at top.*

Gunlocke, c2000, p. 3, Bevel edge table top at top right.*

Gunlocke, c2000, p. 3, Duostep edge table top at right and 3rd from bottom.*

* cited by examiner

1 Claim, 6 Drawing Sheets



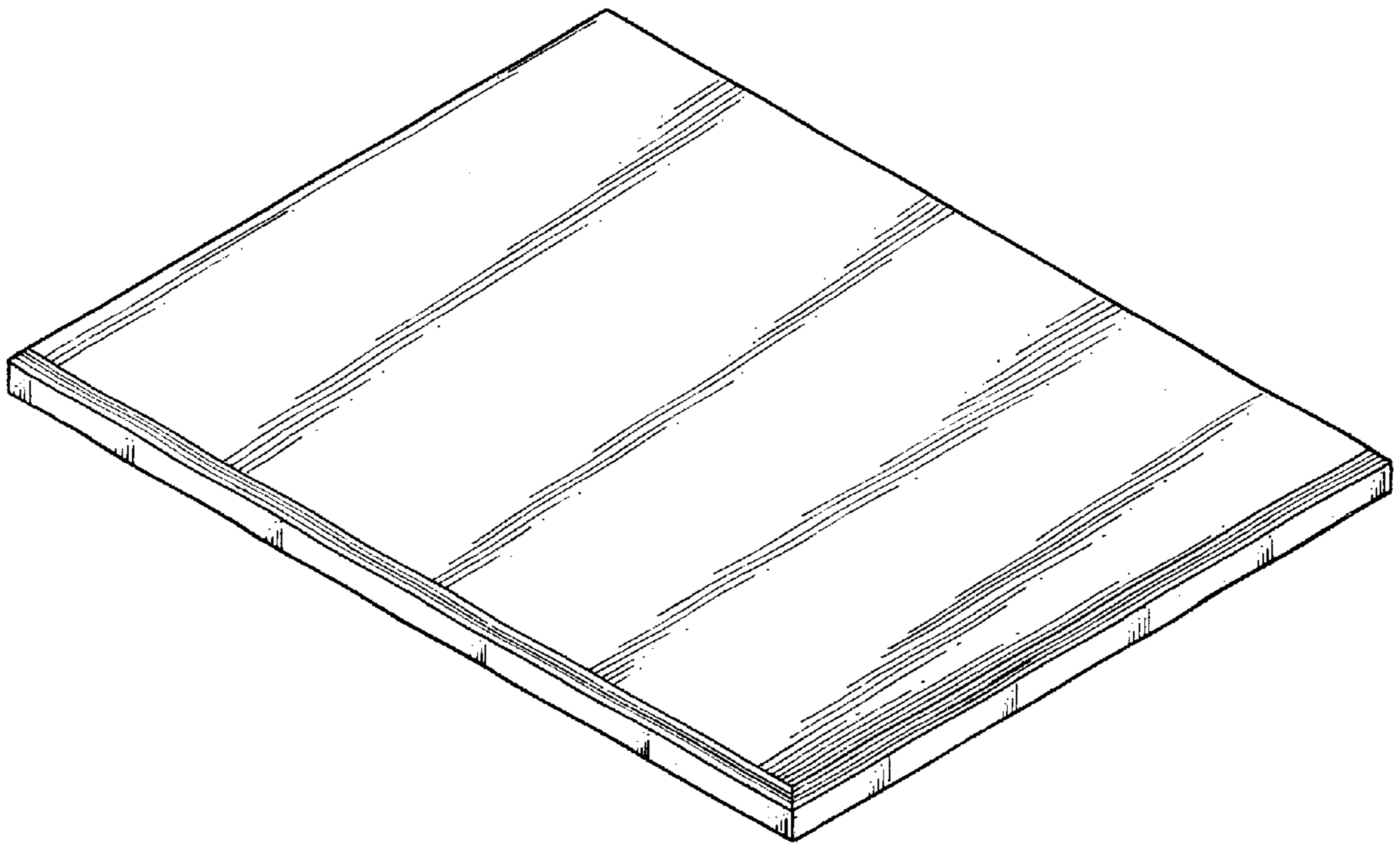


FIG. 1

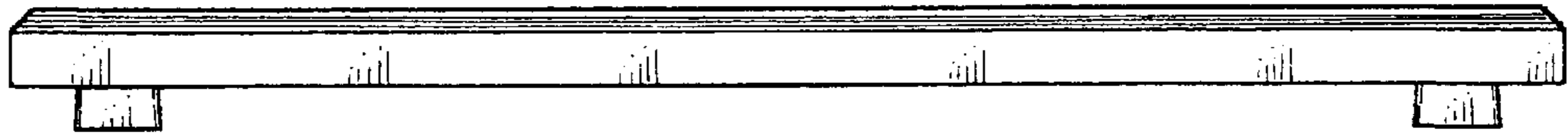


FIG. 2

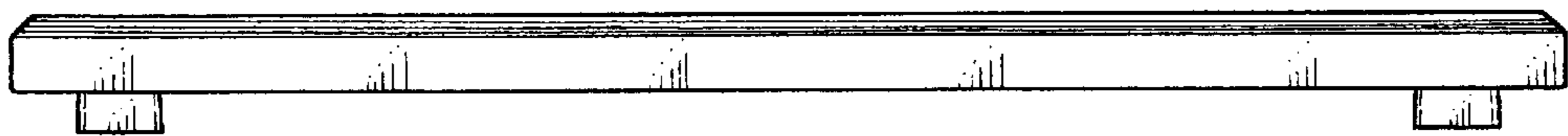


FIG. 3

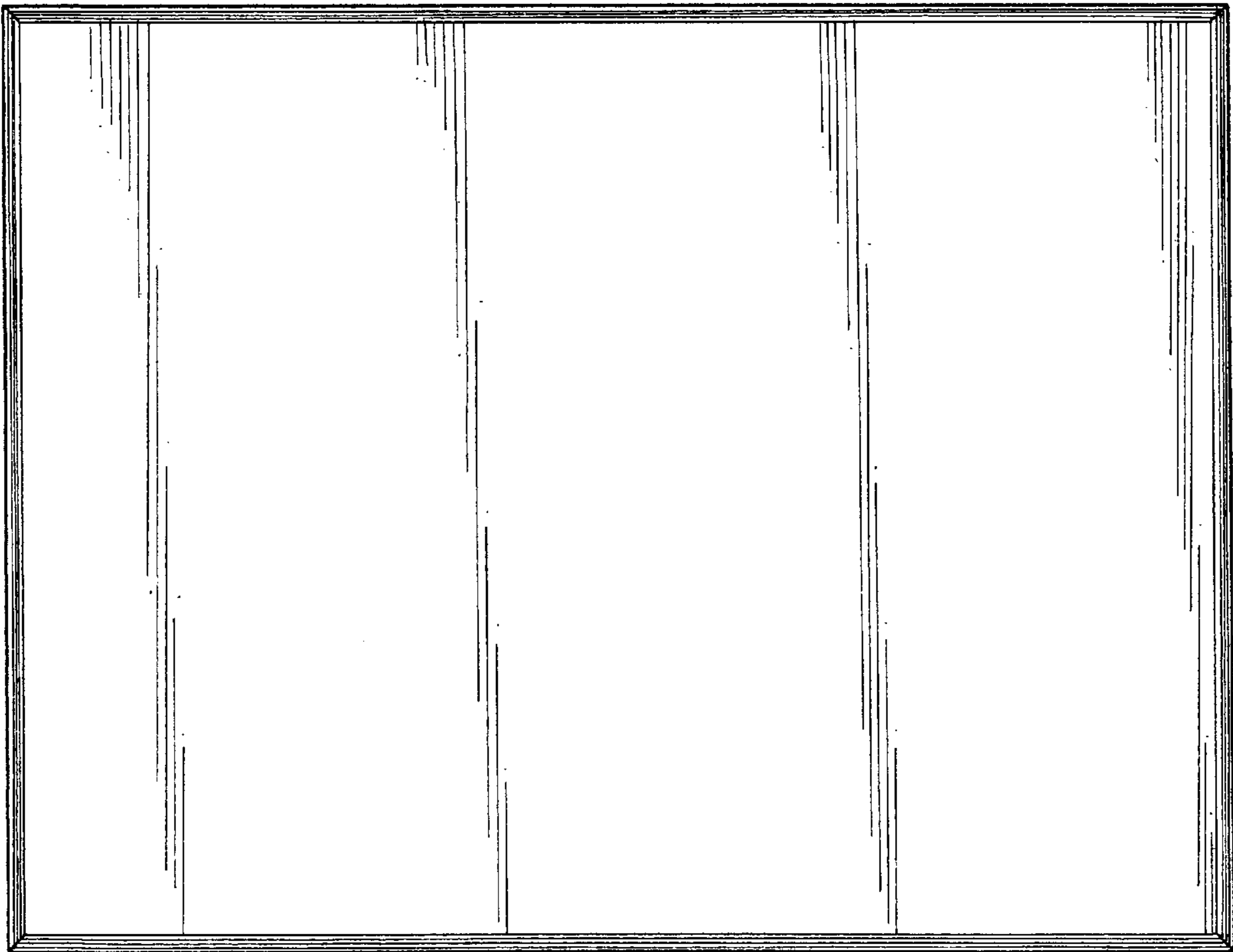


FIG. 4

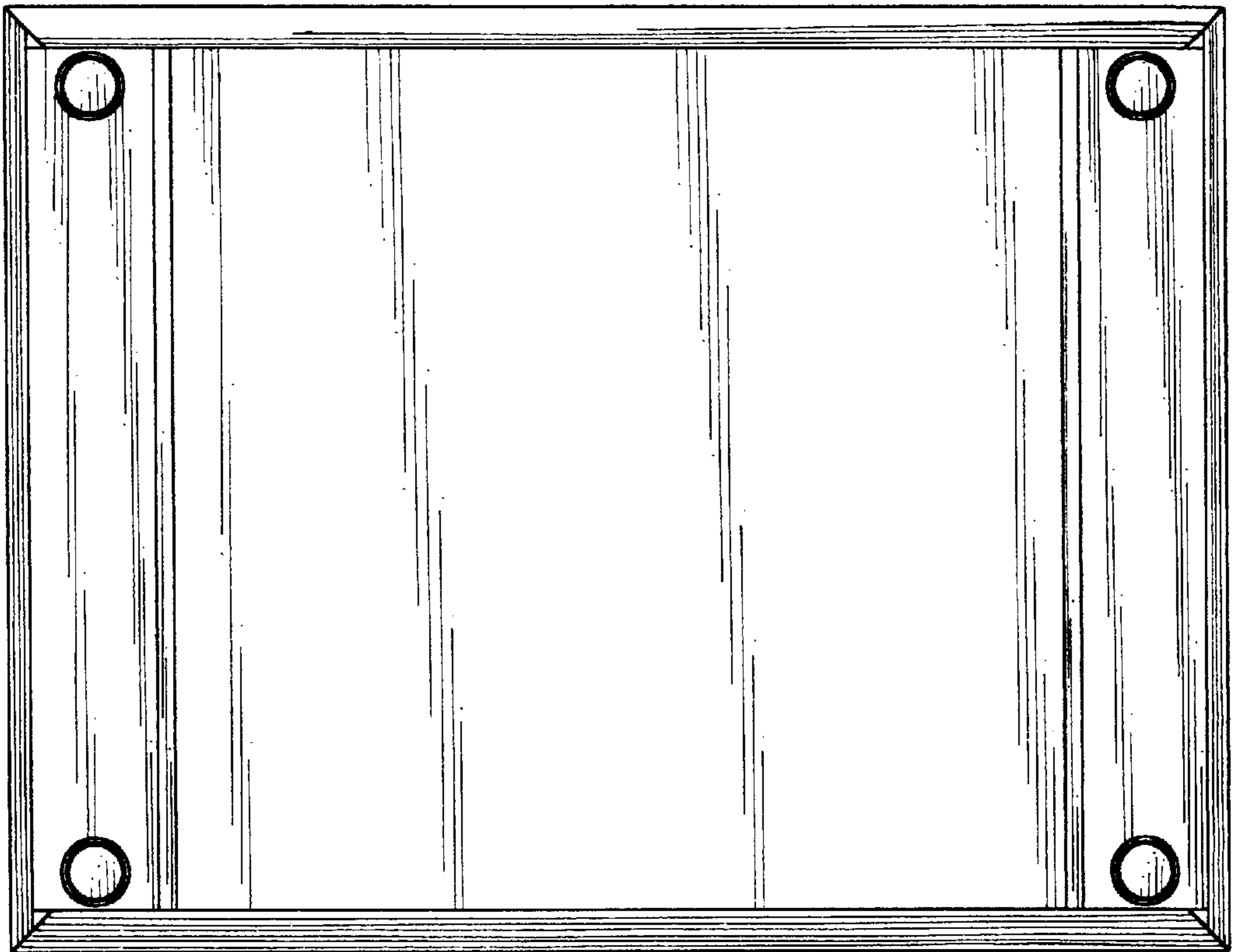


FIG. 5

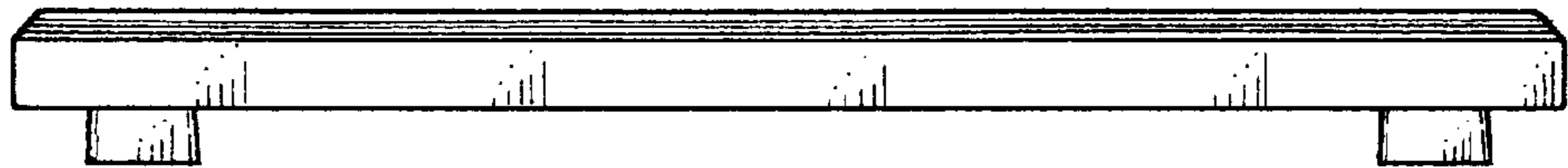


FIG. 6

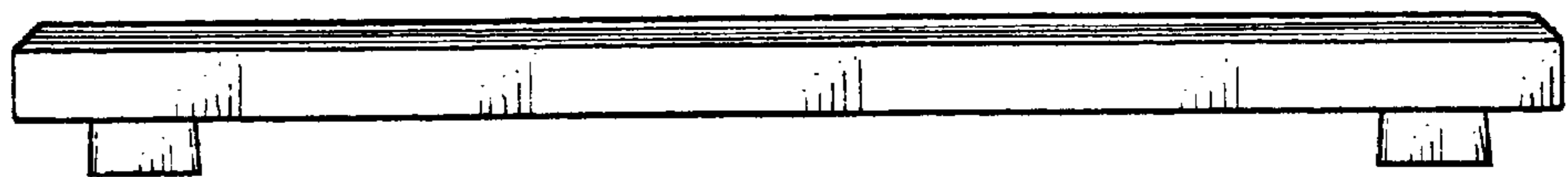


FIG. 7

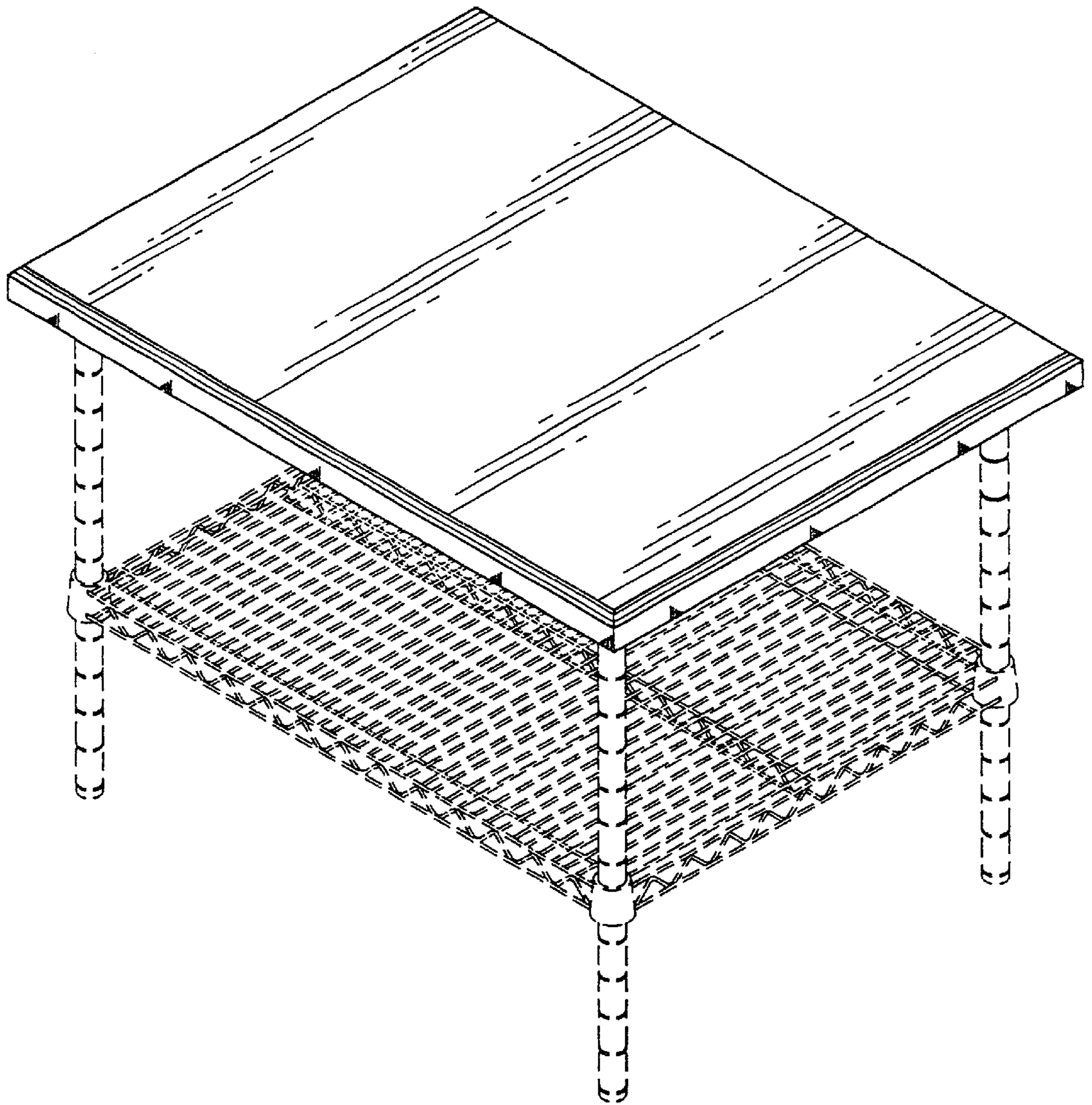


FIG. 8