



US00D483969S

(12) **United States Design Patent**
Maholick

(10) **Patent No.:** **US D483,969 S**

(45) **Date of Patent:** **** Dec. 23, 2003**

(54) **SHELF FOR UTILITY CABINET**

(75) Inventor: **Michael Maholick**, Hockessin, DE
(US)

(73) Assignee: **Zenith Products Corp.**, New Castle,
DE (US)

(**) Term: **14 Years**

(21) Appl. No.: **29/155,695**

(22) Filed: **Feb. 14, 2002**

(51) **LOC (7) Cl.** **06-06**

(52) **U.S. Cl.** **D6/511**

(58) **Field of Search** D6/418, 466, 467,
D6/491, 509, 511; 108/25, 28; 211/4, 8,
120, 134; 248/312, 313

(56) **References Cited**

U.S. PATENT DOCUMENTS

1,611,550 A * 12/1926 Moss 248/312
D247,660 S * 4/1978 Tortorici D7/701
4,450,761 A * 5/1984 Bailey D6/511 X

5,560,497 A * 10/1996 Mulvihill, Jr. 211/4
D383,338 S * 9/1997 Gibbs D6/511
D387,928 S * 12/1997 Hunt D6/511

* cited by examiner

Primary Examiner—Cathron C. Brooks

(74) *Attorney, Agent, or Firm*—Edgar A. Zarins; Lloyd D. Doigan

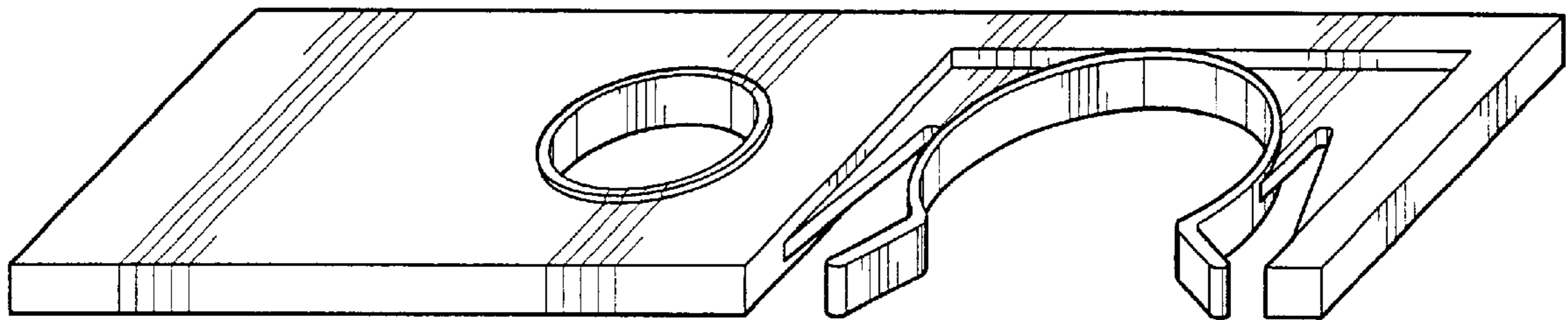
(57) **CLAIM**

The ornamental design for a shelf for utility cabinet, as shown and described.

DESCRIPTION

FIG. 1 is a perspective view of a shelf for a utility cabinet showing my new design;
FIG. 2 is a front elevational view thereof;
FIG. 3 is a top plan view thereof;
FIG. 4 is a bottom plan view thereof;
FIG. 5 is a rear elevational view thereof.
FIG. 6 is a left side view thereof; and,
FIG. 7 is a right side view thereof.

1 Claim, 2 Drawing Sheets



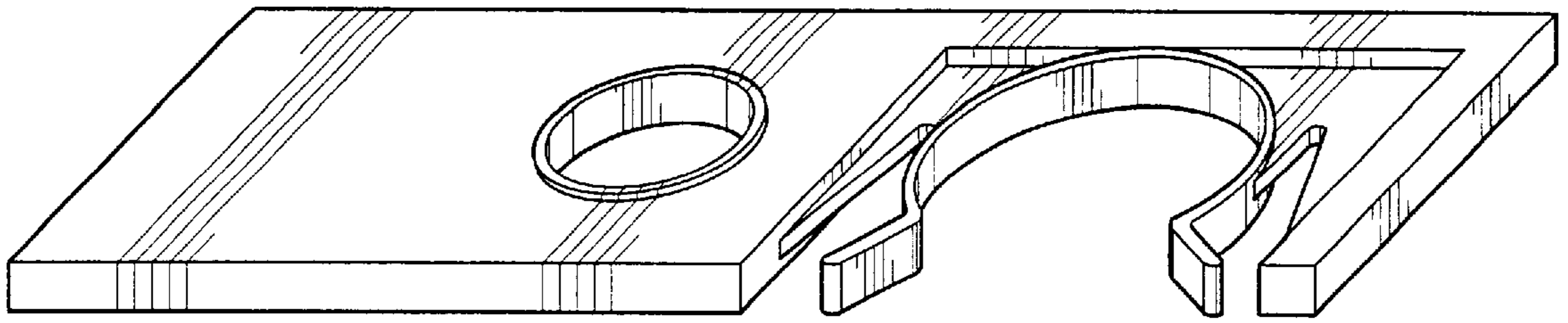


Fig-1

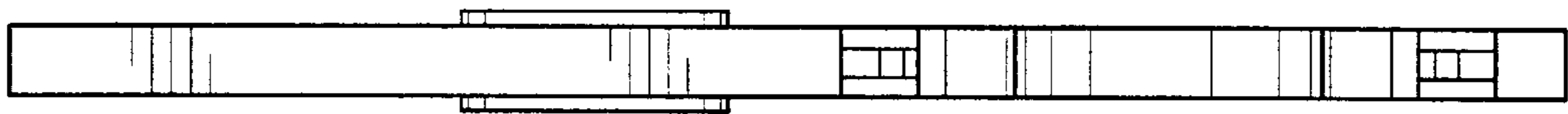


Fig-2

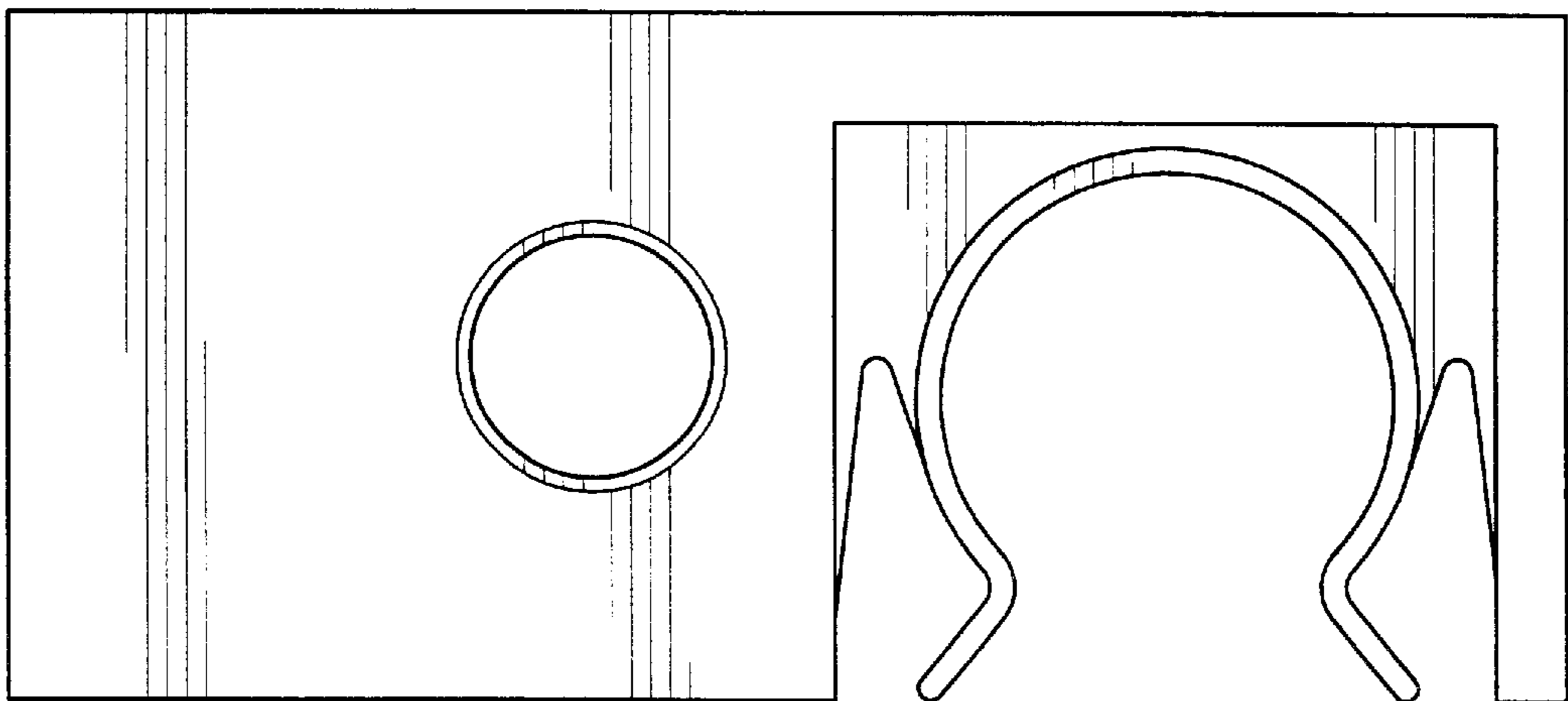


Fig-3

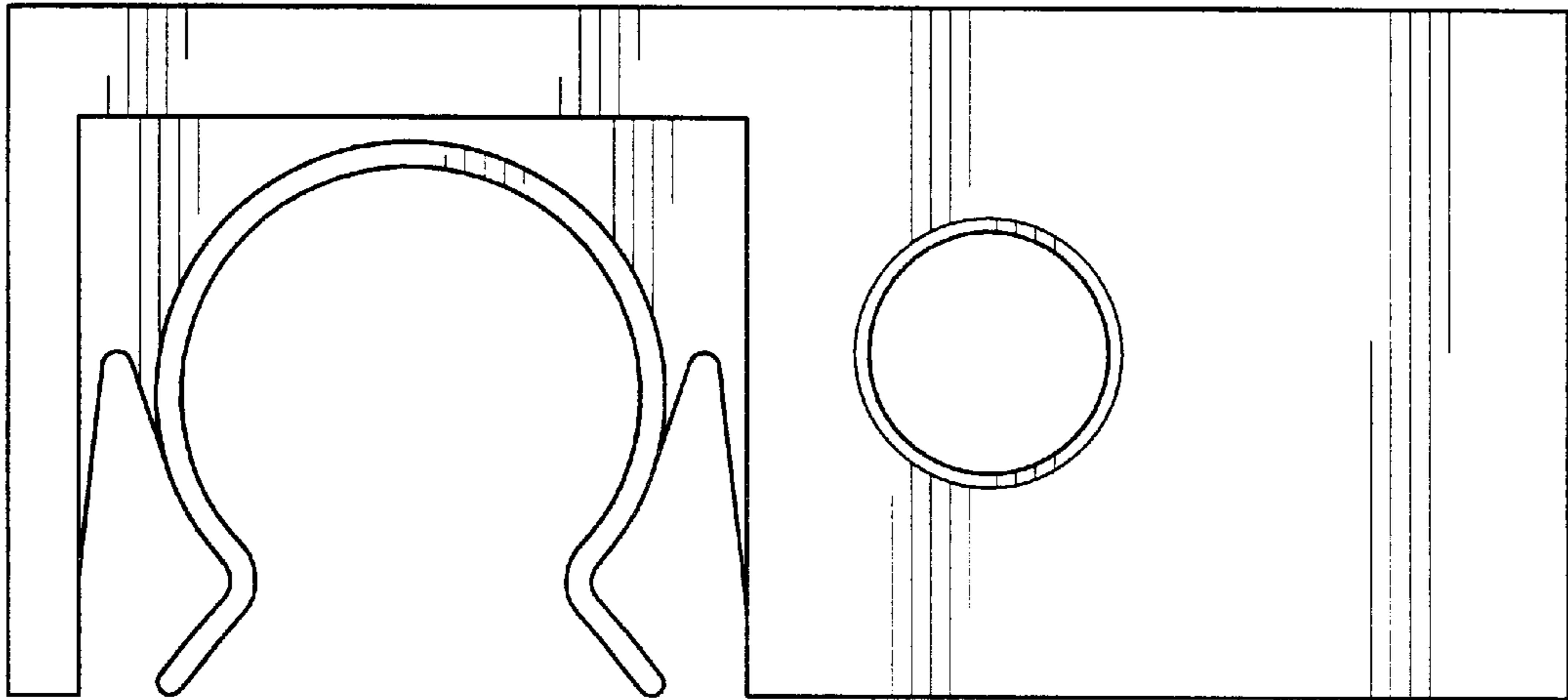


Fig-4

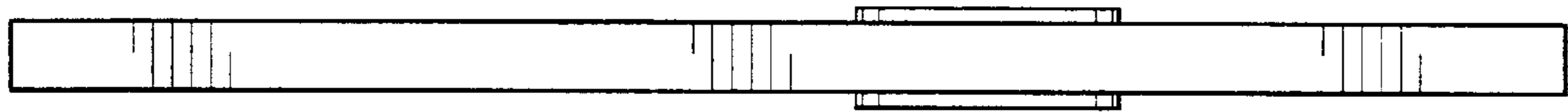


Fig-5

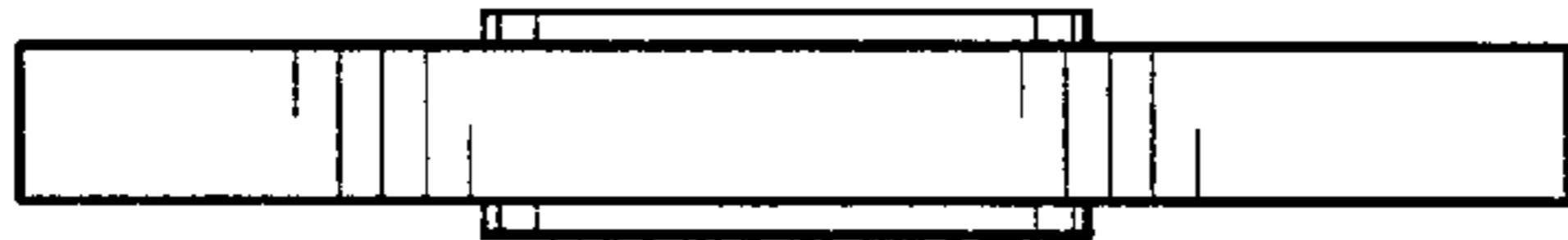


Fig-6



Fig-7