



US00D483968S

(12) **United States Design Patent**
King et al.

(10) **Patent No.:** **US D483,968 S**

(45) **Date of Patent:** **** Dec. 23, 2003**

(54) **FURNITURE STORAGE UNIT**

(75) Inventors: **Jonathan J. King**, East Grand Rapids, MI (US); **Kurt P. Dammerman**, San Francisco, CA (US); **Thomas B. Eich**, San Jose, CA (US); **Frank Freidman**, San Francisco, CA (US); **Thomas Overthun**, San Francisco, CA (US); **Jochen P. Backs**, San Francisco, CA (US); **George J. Simons**, Grand Rapids, MI (US); **Charles A. Seiber**, Atherton, CA (US)

(73) Assignee: **Steelcase Development Corporation**, Caledonia, MI (US)

(**) Term: **14 Years**

(21) Appl. No.: **29/110,117**

(22) Filed: **Aug. 31, 1999**

(51) **LOC (7) Cl.** **06-06**

(52) **U.S. Cl.** **D6/511**

(58) **Field of Search** D6/432, 448, 492,
D6/494, 510, 421, 422, 426, 477-479, 511;
312/196, 198

(56) **References Cited**

U.S. PATENT DOCUMENTS

D183,345 S * 8/1958 Gottlieb D6/432 X
D212,292 S * 9/1968 Yermakov D6/494

D246,082 S * 10/1977 Friedrich D6/494
D278,957 S * 5/1985 Flototto D6/432
D299,598 S * 1/1989 Everett D6/432
D318,963 S * 8/1991 Haseke et al. D6/474
D327,794 S * 7/1992 Zapf D6/448
D328,399 S * 8/1992 McGrory et al. D6/448
D330,090 S * 10/1992 Walter et al. D26/51
D331,160 S * 11/1992 Brunner D6/414
D376,705 S * 12/1996 Stoddard et al. D6/426
D409,019 S * 5/1999 Crinion D6/478
D418,329 S * 1/2000 Voight, Jr. D6/445
D419,799 S * 2/2000 King et al. D6/494
D427,458 S * 7/2000 McColskey et al. D6/477
D454,454 S * 3/2002 Hamilton et al. D6/510
D459,924 S * 7/2002 Heidmann et al. D6/510

* cited by examiner

Primary Examiner—Cathron C. Brooks

(74) *Attorney, Agent, or Firm*—Price, Heneveld, Cooper, DeWitt & Litton

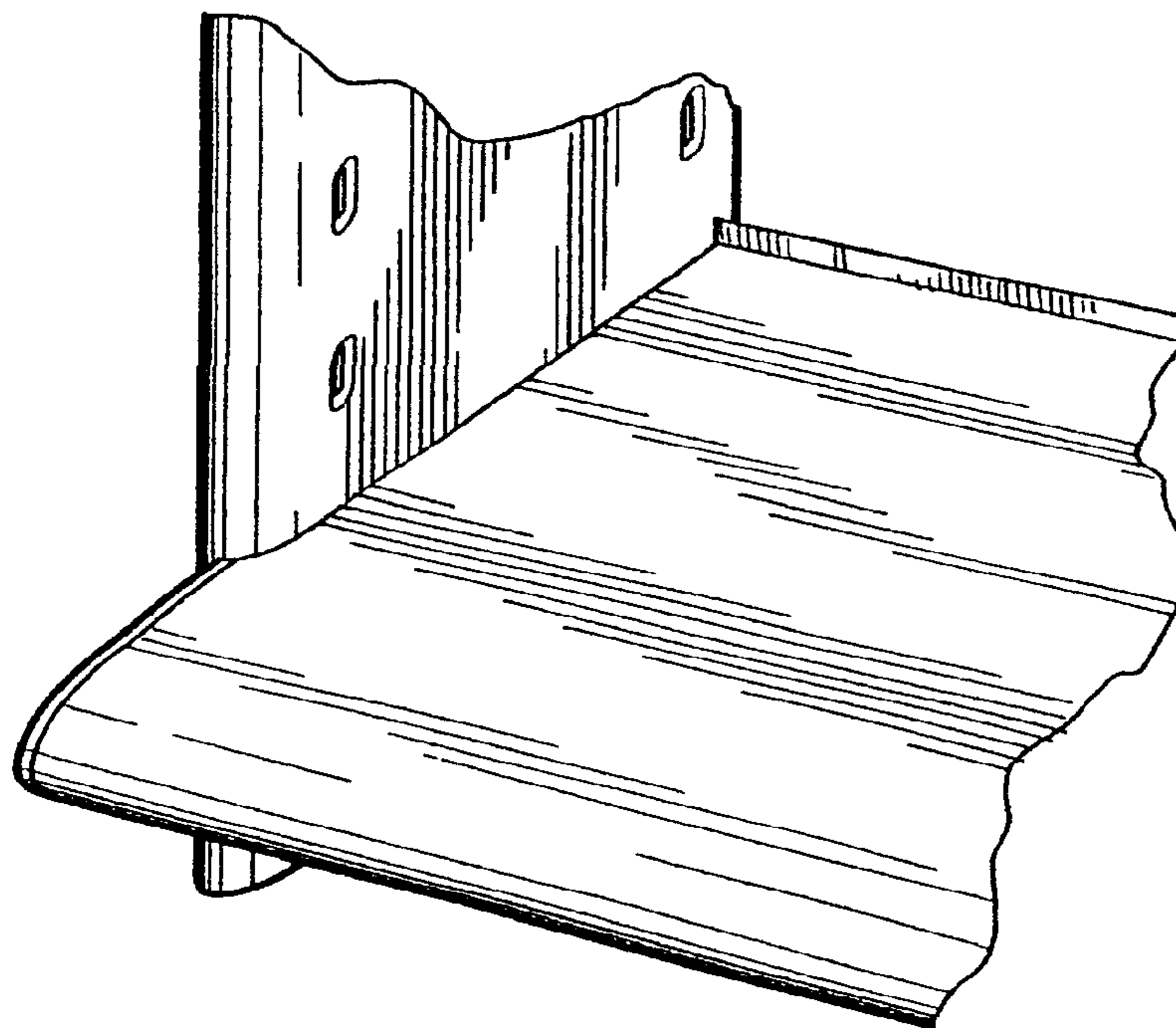
(57) **CLAIM**

The ornamental design for a furniture storage unit, as shown and described.

DESCRIPTION

FIG. 1 is a front right perspective view of a furniture storage unit, showing our new design;
FIG. 2 is front left perspective view thereof;
FIG. 3 is a front elevational view thereof; and,
FIG. 4 is a top plan view thereof.

1 Claim, 1 Drawing Sheet



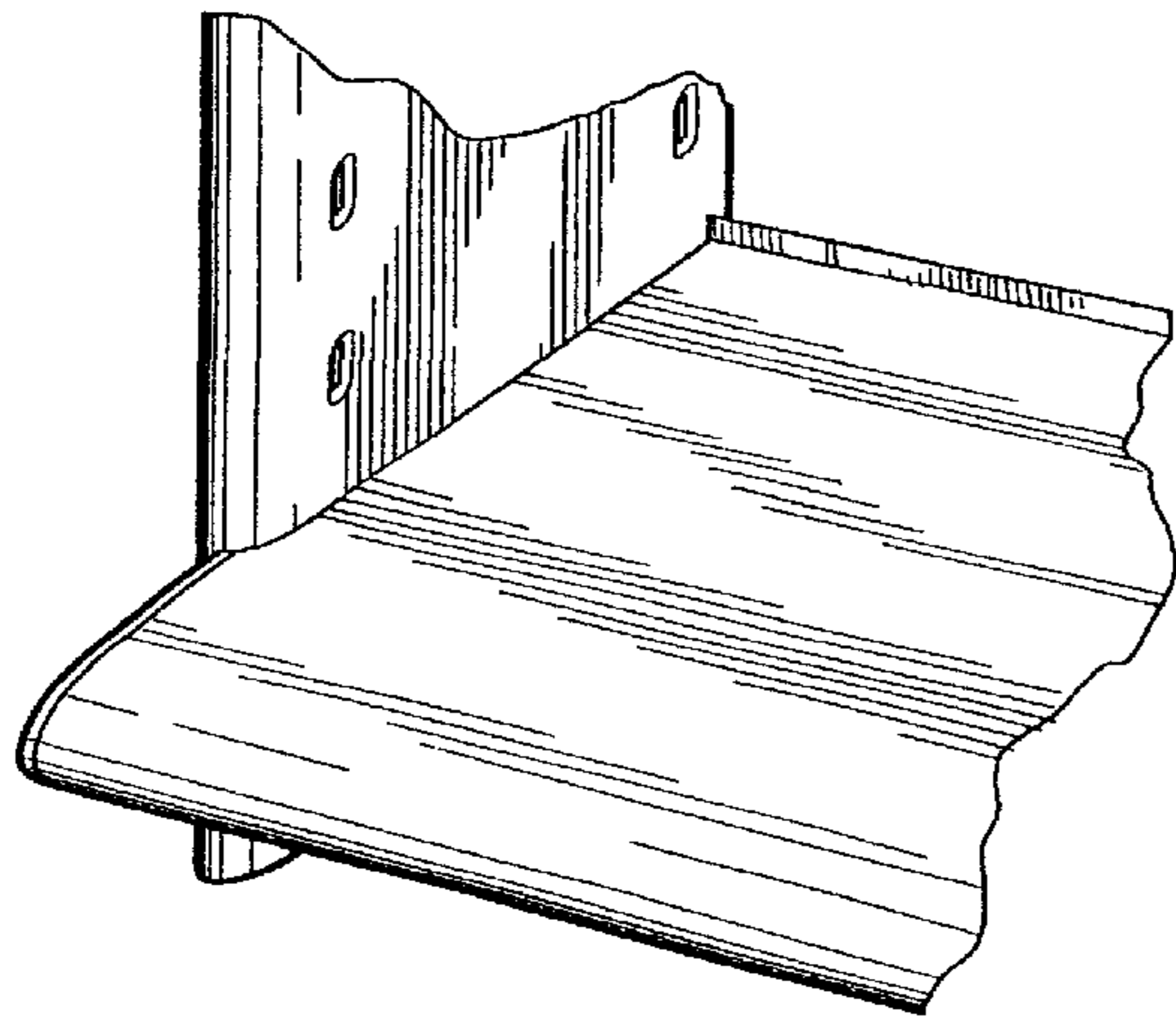


Fig. 1

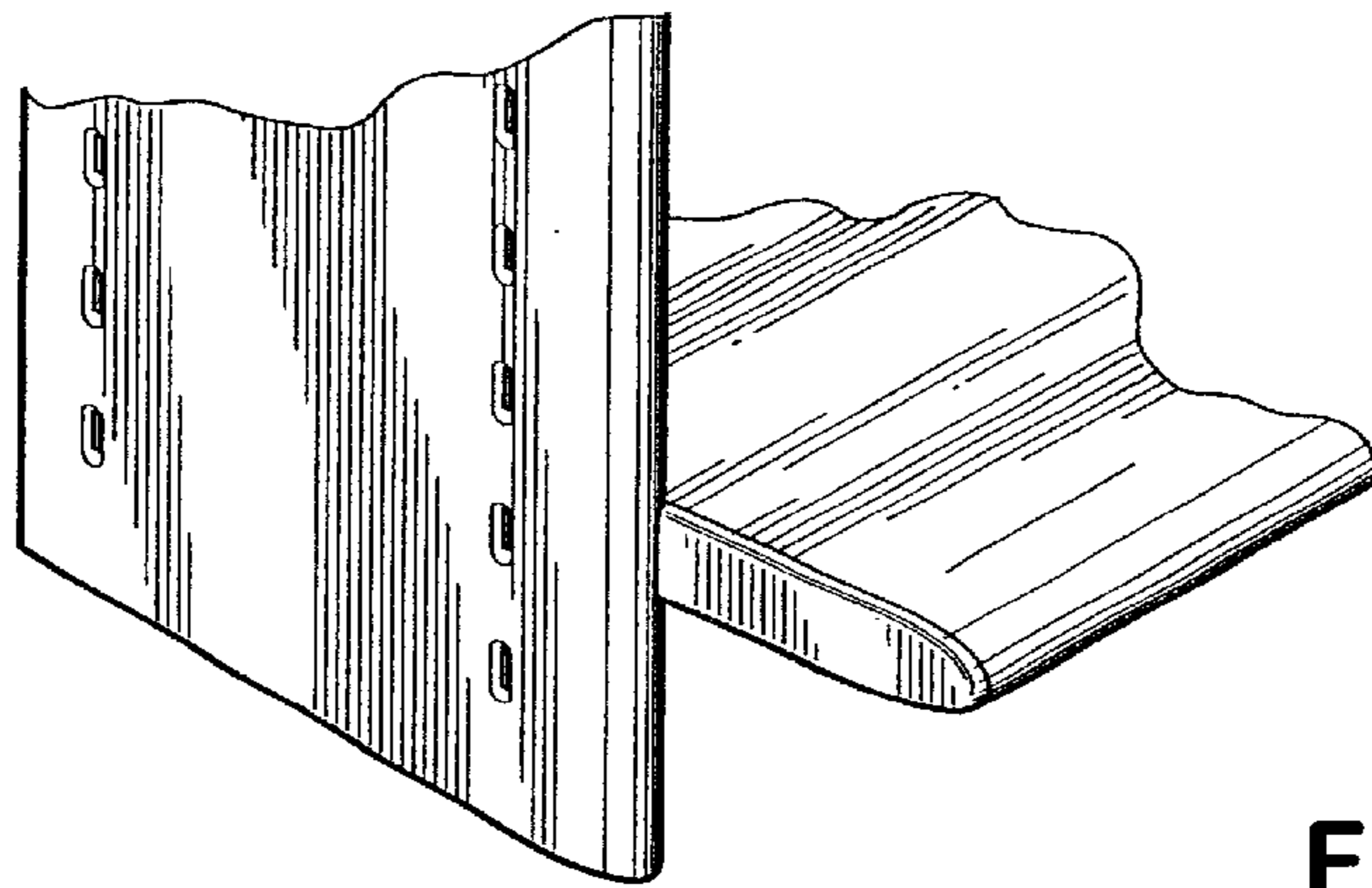


Fig. 2

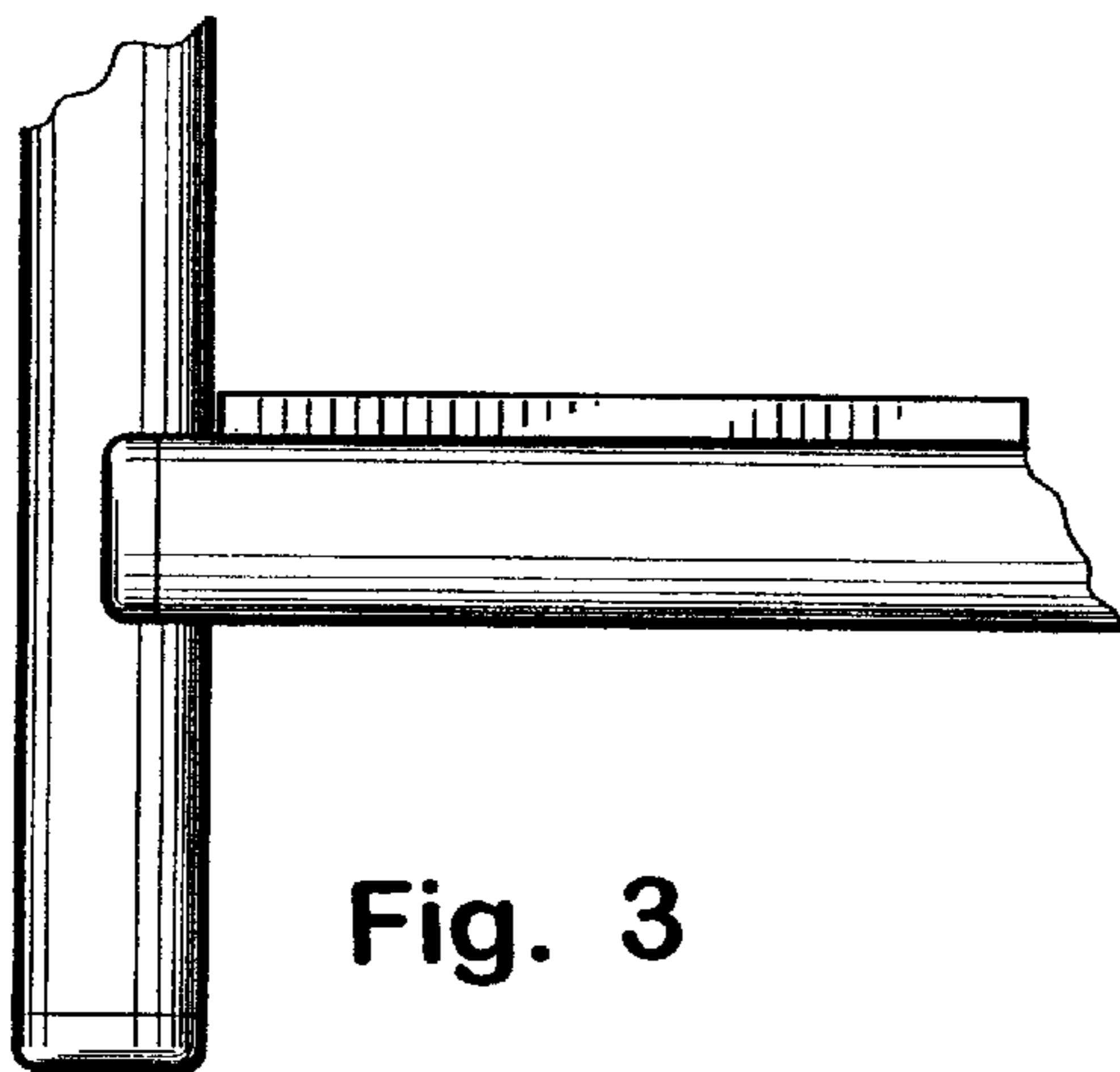


Fig. 3

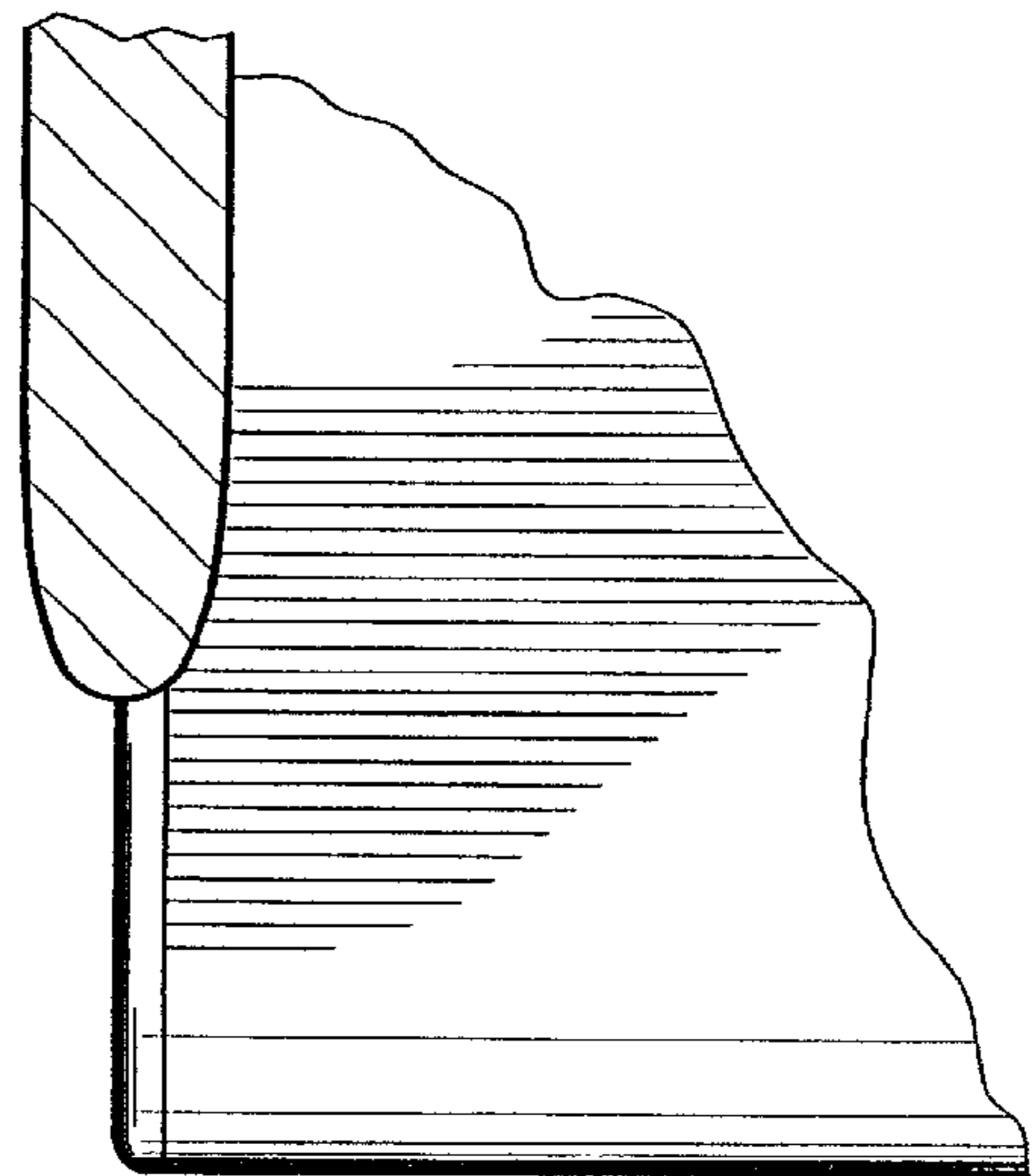


Fig. 4