



US00D483964S

(12) **United States Design Patent**  
**Bates**

(10) **Patent No.:** **US D483,964 S**

(45) **Date of Patent:** **\*\* Dec. 23, 2003**

(54) **CHEST OF DRAWERS**

(76) Inventor: **Valarae Bates**, 1016 Rebecca Dr.,  
Houma, LA (US) 70360

(\*\*) Term: **14 Years**

(21) Appl. No.: **29/167,035**

(22) Filed: **Sep. 9, 2002**

(51) **LOC (7) Cl.** ..... **06-04**

(52) **U.S. Cl.** ..... **D6/446; D6/445**

(58) **Field of Search** ..... D6/432-448, 470;  
312/7.2, 22, 23, 26, 114, 138.1, 204, 205,  
224

(56) **References Cited**

**U.S. PATENT DOCUMENTS**

D110,268 S	*	6/1938	Carman	.....	D6/446
D200,475 S	*	3/1965	Fortson	.....	D6/440
3,298,765 A	*	1/1967	Rakich	.....	312/204
D216,131 S	*	11/1969	Loewy	.....	D6/436
D225,922 S	*	1/1973	Rosenberg	.....	D6/445

D277,148 S \* 1/1985 Palka ..... D6/560

D283,769 S \* 5/1986 Cohn ..... D6/446

D330,814 S \* 11/1992 Reuschel ..... D6/437

D363,177 S \* 10/1995 Mohundro ..... D6/440

\* cited by examiner

*Primary Examiner*—Cathron C. Brooks

(74) *Attorney, Agent, or Firm*—Keaty Professional Law Corporation

(57) **CLAIM**

The ornamental design for a chest of drawers, as shown.

**DESCRIPTION**

FIG. 1 is a perspective view of my new ornamental design for a chest of drawers.

FIG. 2 is a front view thereof.

FIG. 3 is a right view thereof.

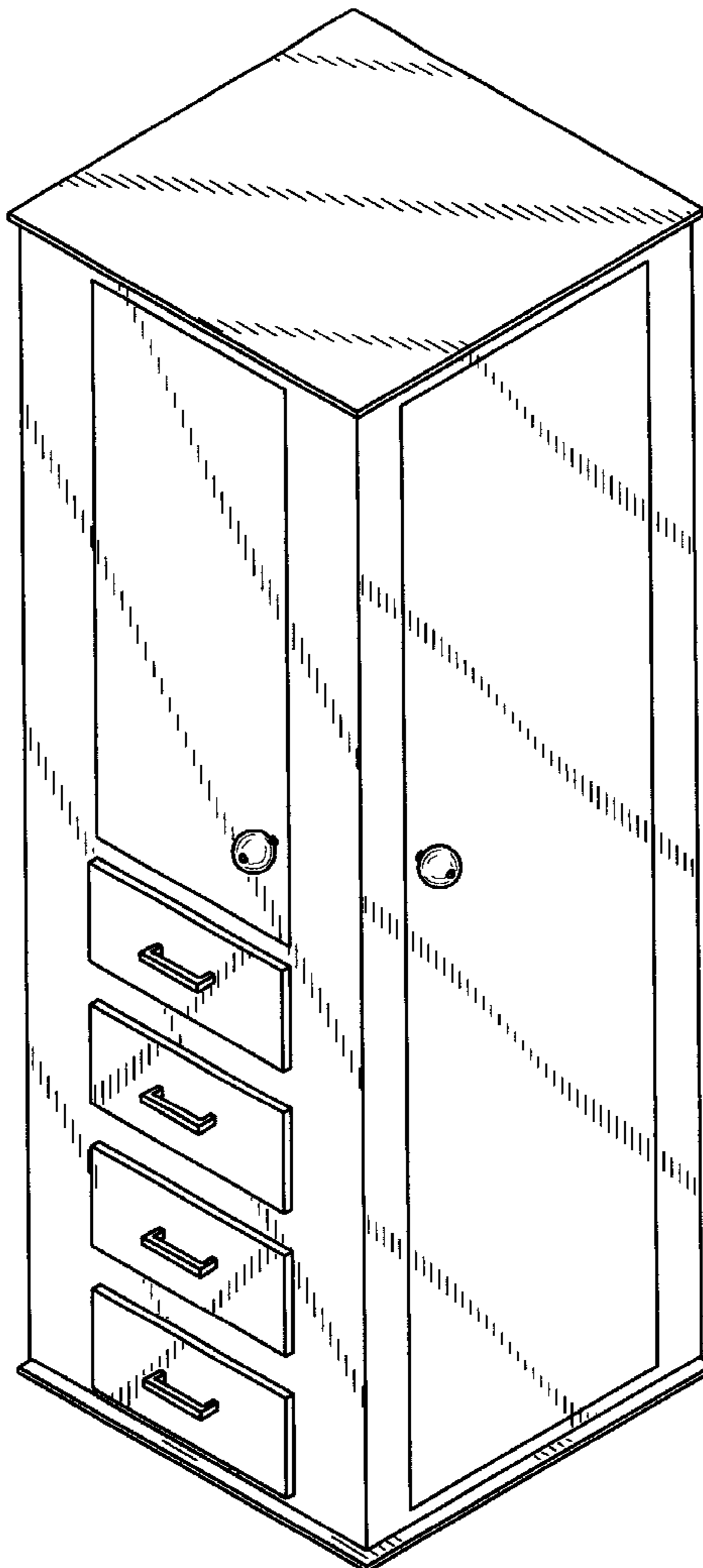
FIG. 4 is a left view thereof.

FIG. 5 is a back view thereof.

FIG. 6 is a top view thereof; and,

FIG. 7 is a bottom view thereof.

**1 Claim, 6 Drawing Sheets**



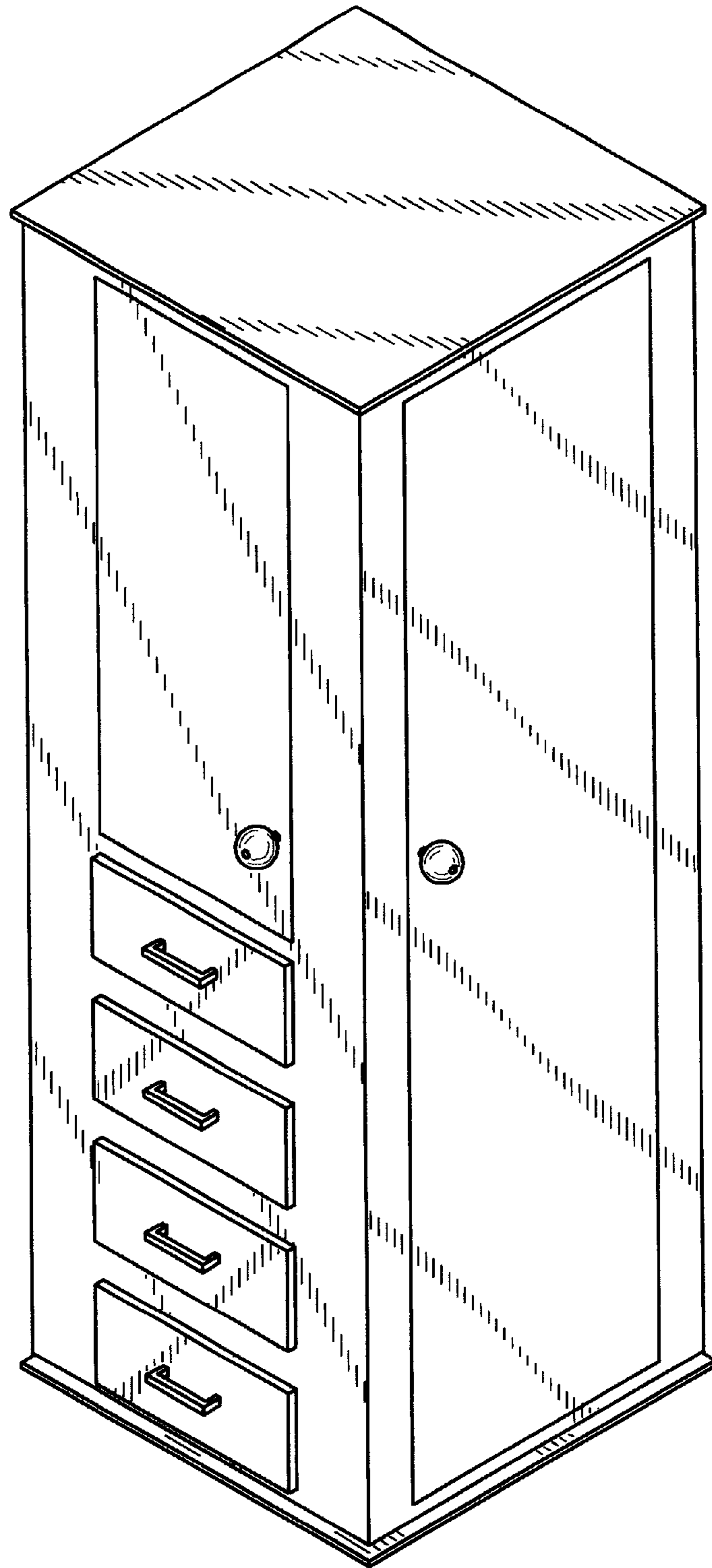


FIG. 1

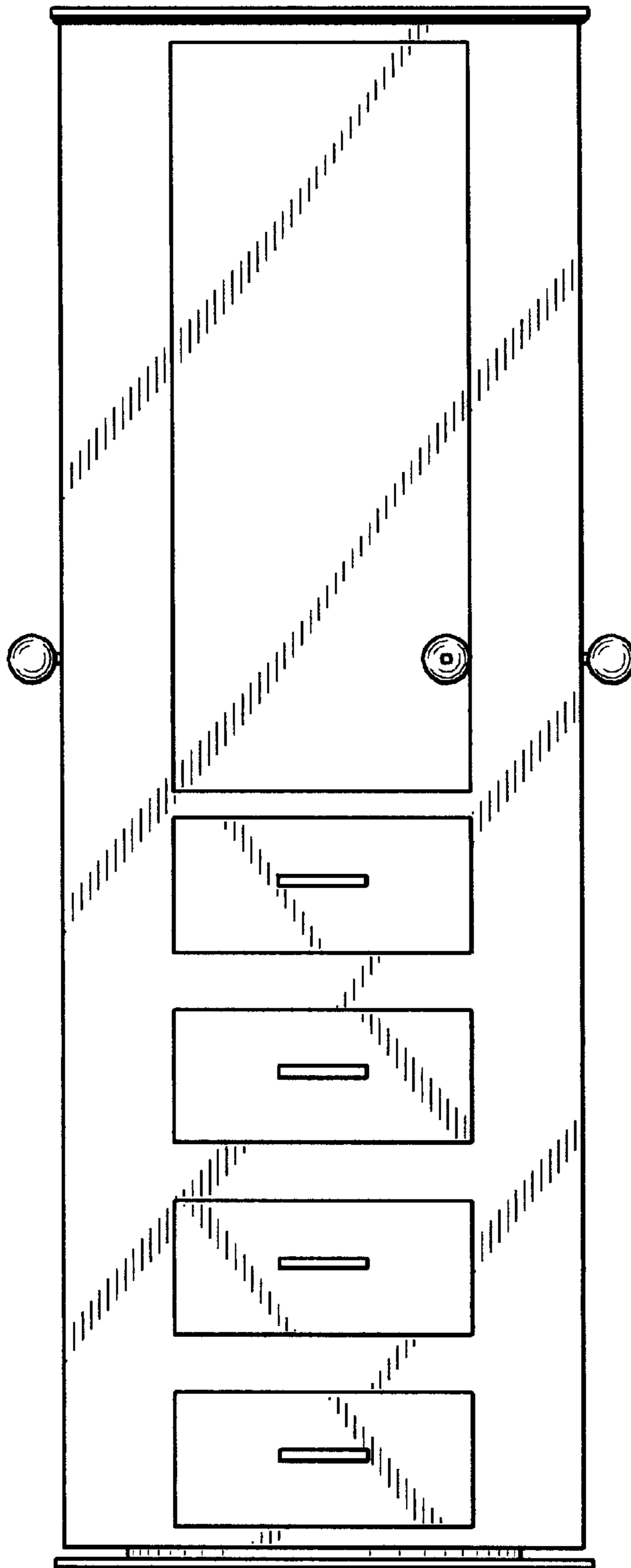


FIG. 2

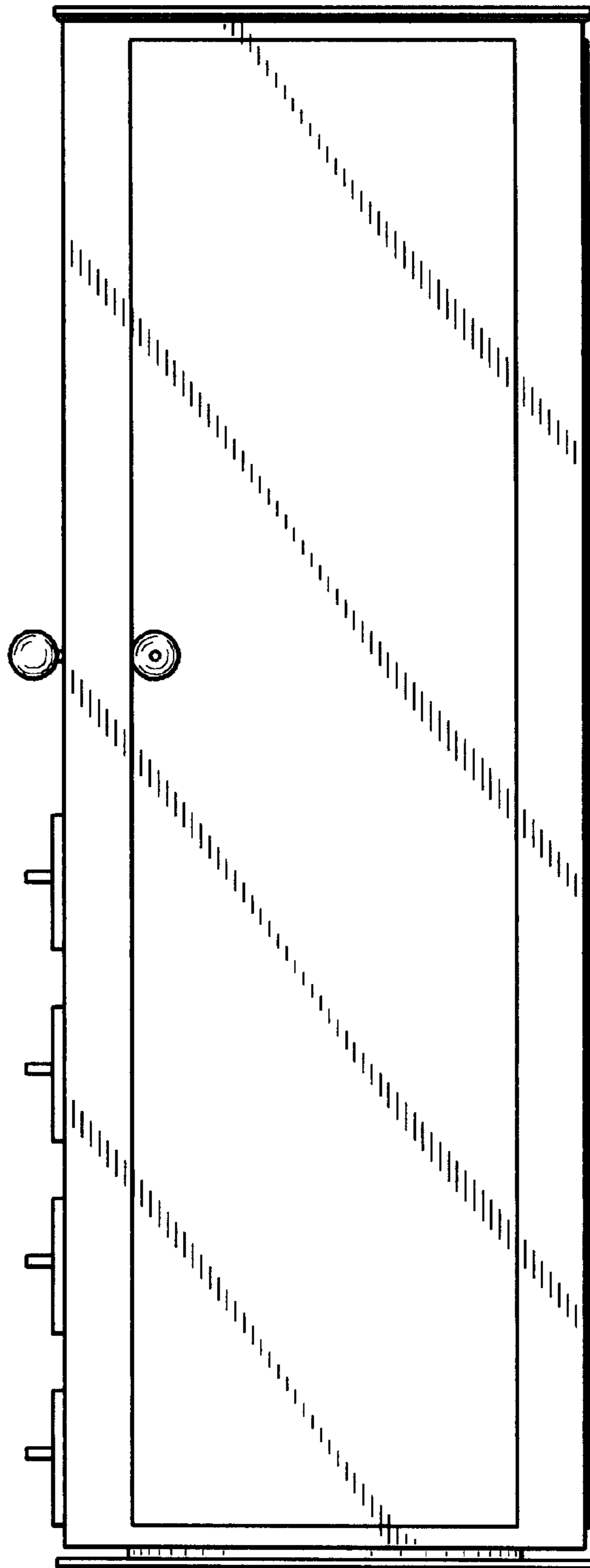


FIG. 3

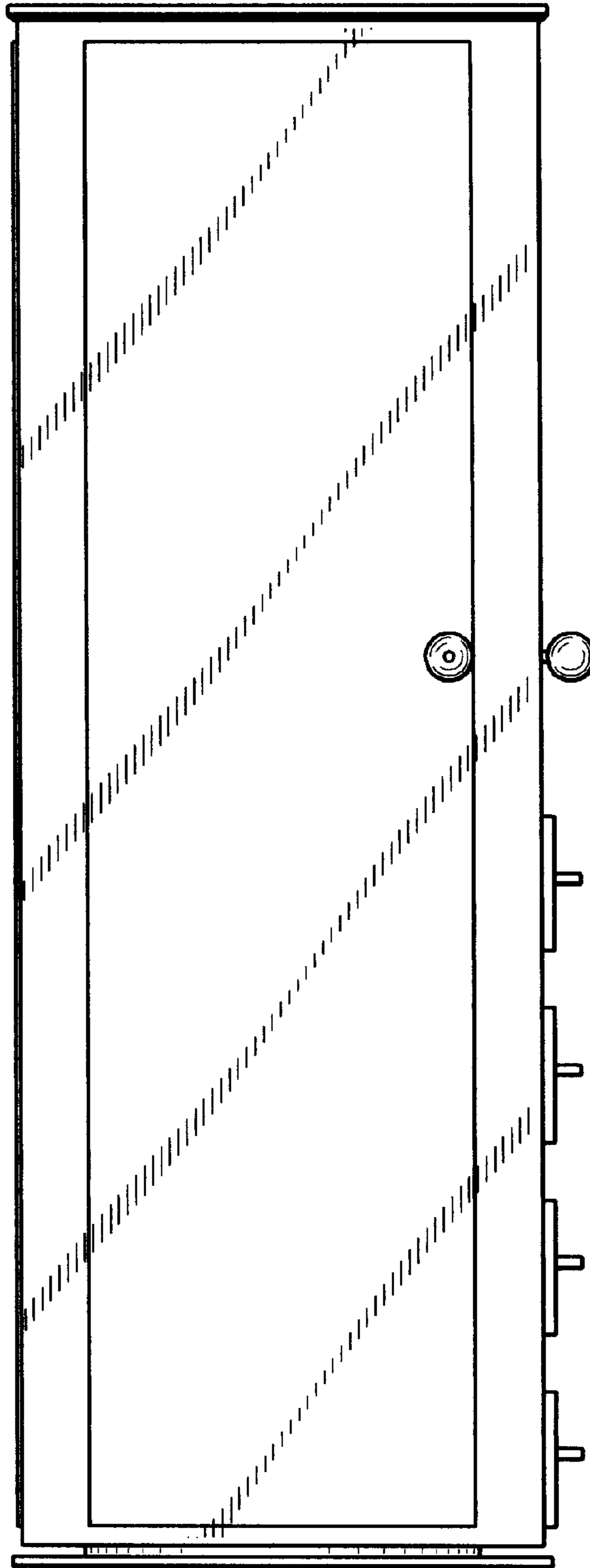


FIG. 4

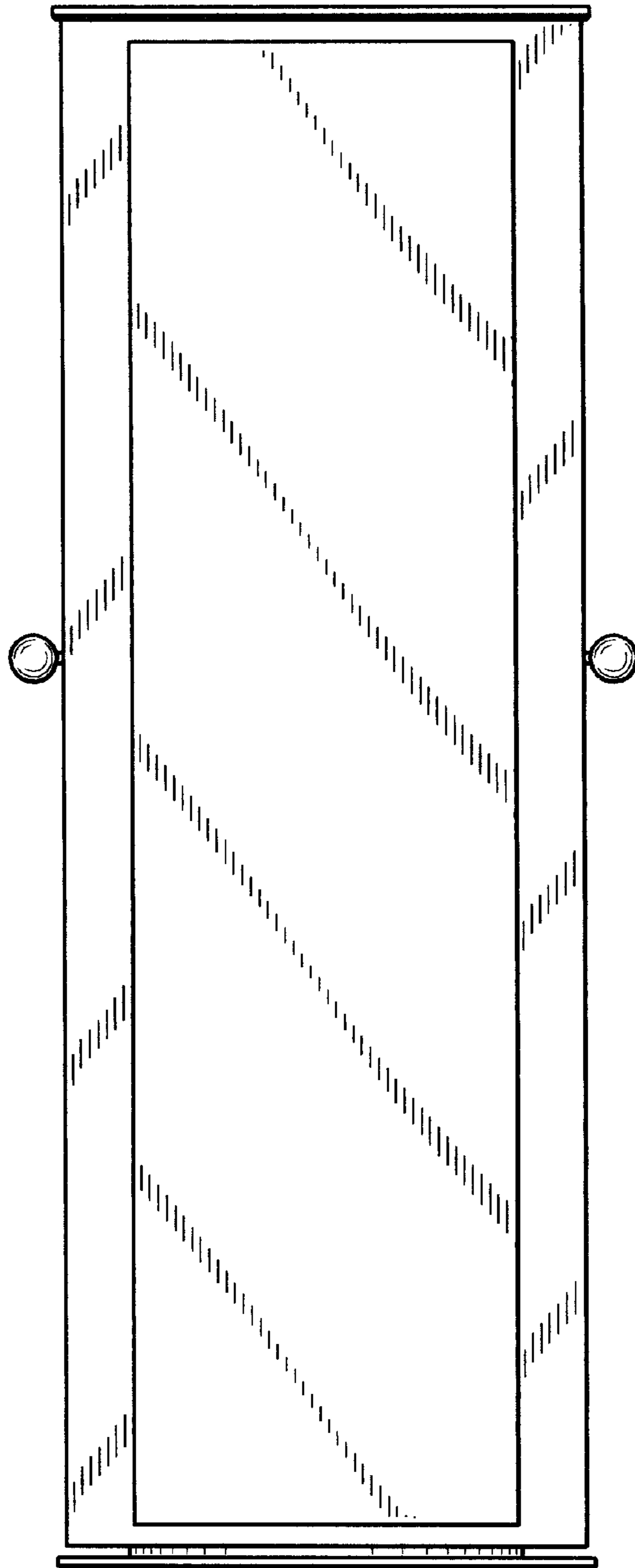


FIG. 5

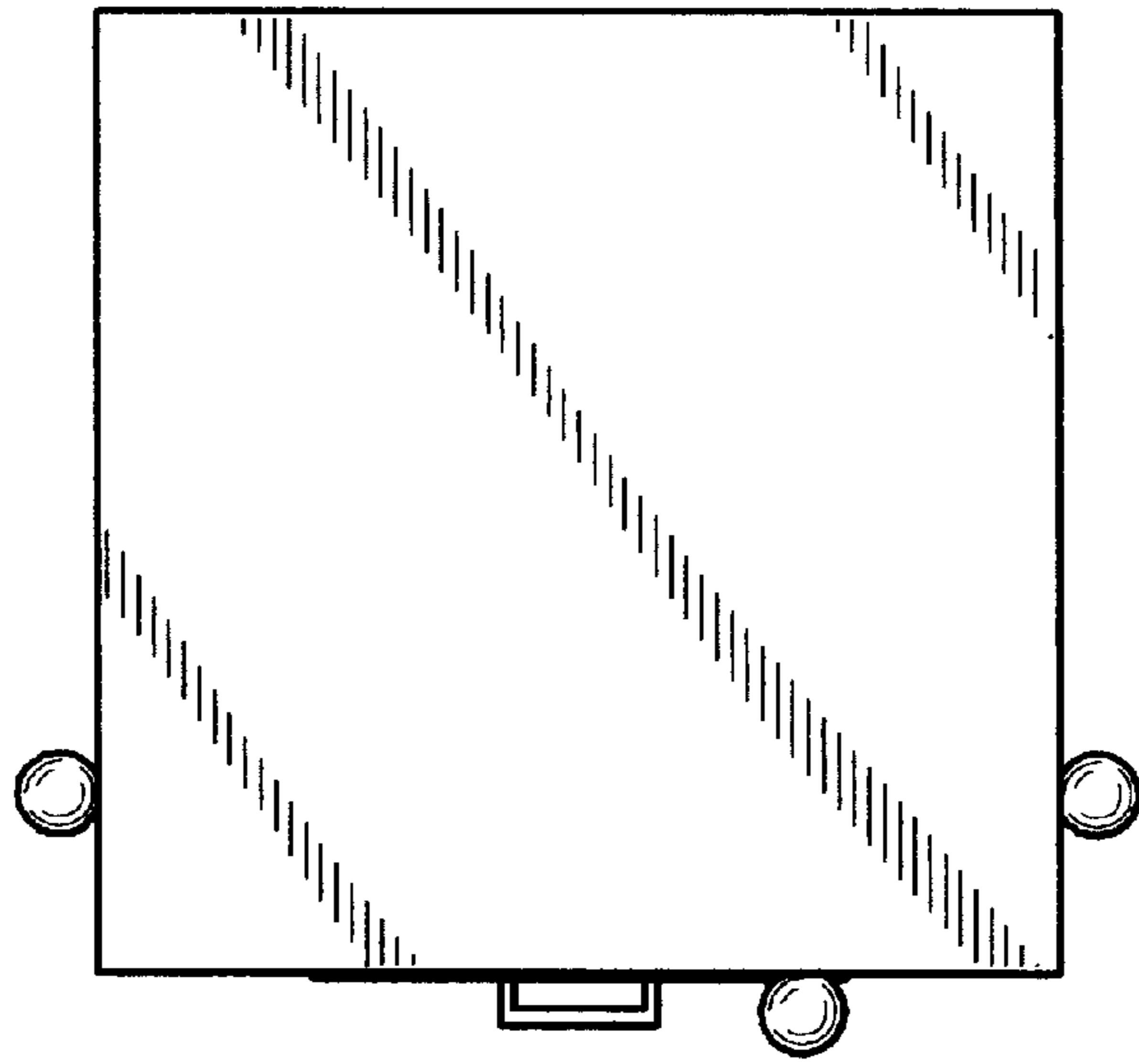


FIG. 6

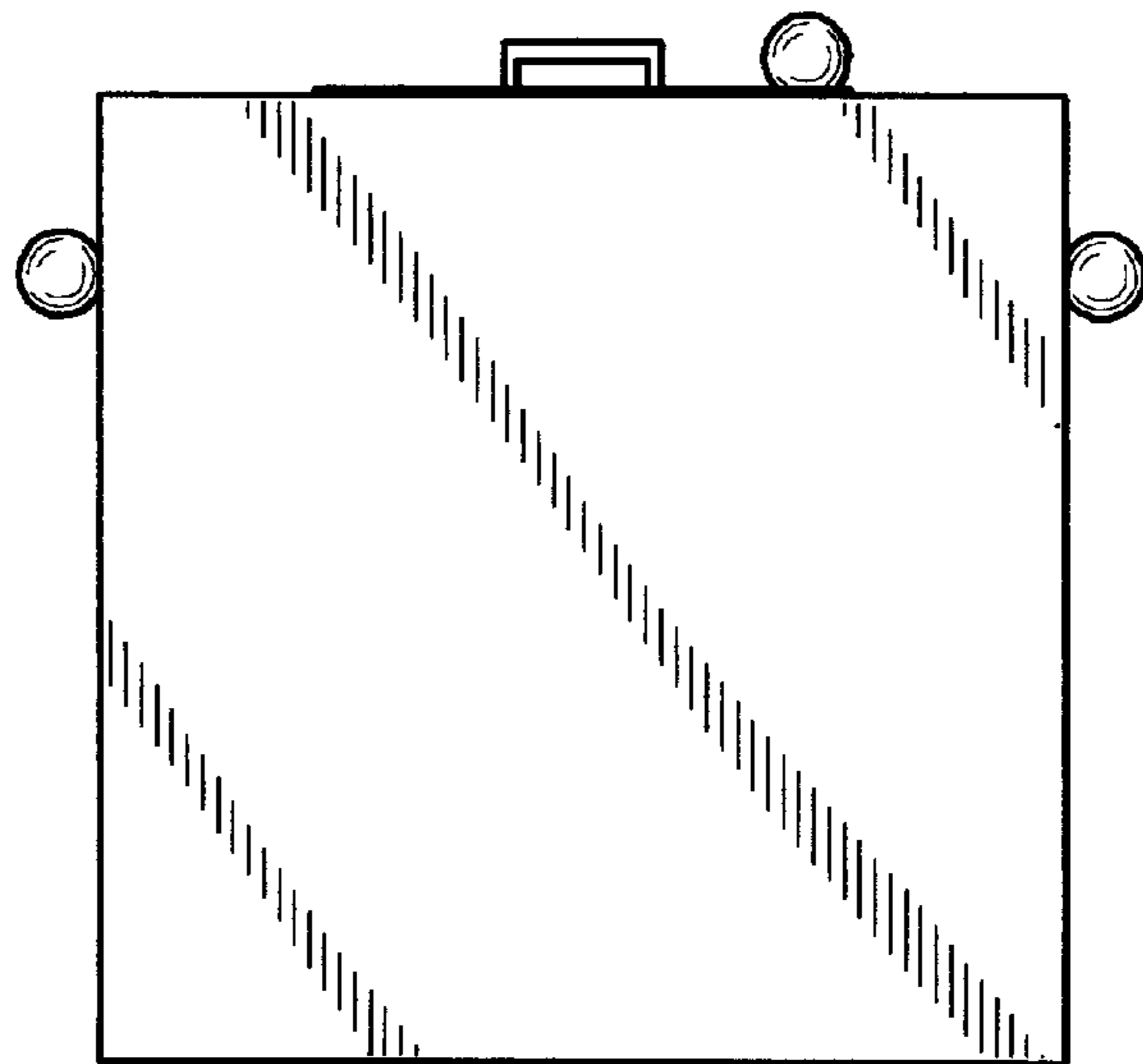


FIG. 7