



US00D483960S

(12) **United States Design Patent**
Chipman

(10) **Patent No.:** **US D483,960 S**

(45) **Date of Patent:** **** Dec. 23, 2003**

(54) **BENCH**

(75) **Inventor:** **Robert Gerard Chipman**, Austin, TX
(US)

(73) **Assignee:** **Landscape Forms, Inc.**, Kalamazoo,
MI (US)

(**) **Term:** **14 Years**

(21) **Appl. No.:** **29/171,172**

(22) **Filed:** **Nov. 18, 2002**

(51) **LOC (7) Cl.** **06-01**

(52) **U.S. Cl.** **D6/370; D6/381**

(58) **Field of Search** D6/334, 335, 370,
D6/374, 375, 376, 380, 381, 500, 501,
502; 297/232, 452.63

(56) **References Cited**

U.S. PATENT DOCUMENTS

D236,669 S * 9/1975 Macy D6/380
D264,151 S * 5/1982 Sauls et al. D6/370
D314,677 S * 2/1991 Hanna D6/381

D327,584 S * 7/1992 Braxton, III D6/370

D327,586 S * 7/1992 Skalka D6/370

D369,692 S * 5/1996 Skalka D6/370

D386,012 S * 11/1997 Skalka D6/370

D451,296 S * 12/2001 Stewart D6/370

* cited by examiner

Primary Examiner—Gary D. Watson

(74) *Attorney, Agent, or Firm*—Heslin Rothenberg Farley
& Mesiti P.C.

(57) **CLAIM**

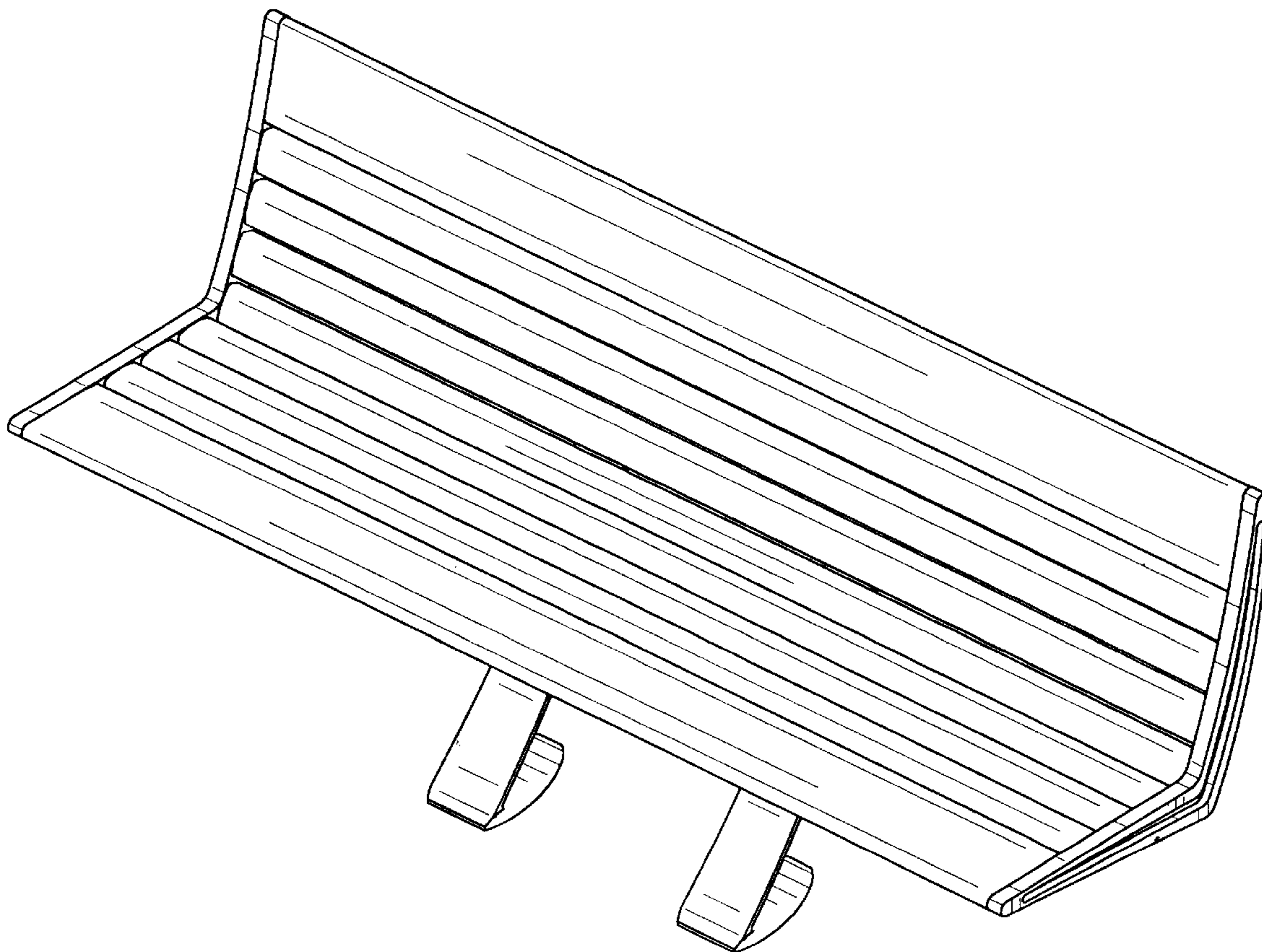
The ornamental design for a bench, as shown and described.

DESCRIPTION

This application is related to commonly owned, concurrently filed design application Ser. No. 29/171,190.

FIG. 1 is an isometric view of the bench of my new design; FIG. 2 is a front elevational view thereof; FIG. 3 is a back elevational view thereof; FIG. 4 is a top plan view thereof; and, FIG. 5 is a left side elevational view thereof, the right side elevational view being a mirror image thereof.

1 Claim, 5 Drawing Sheets



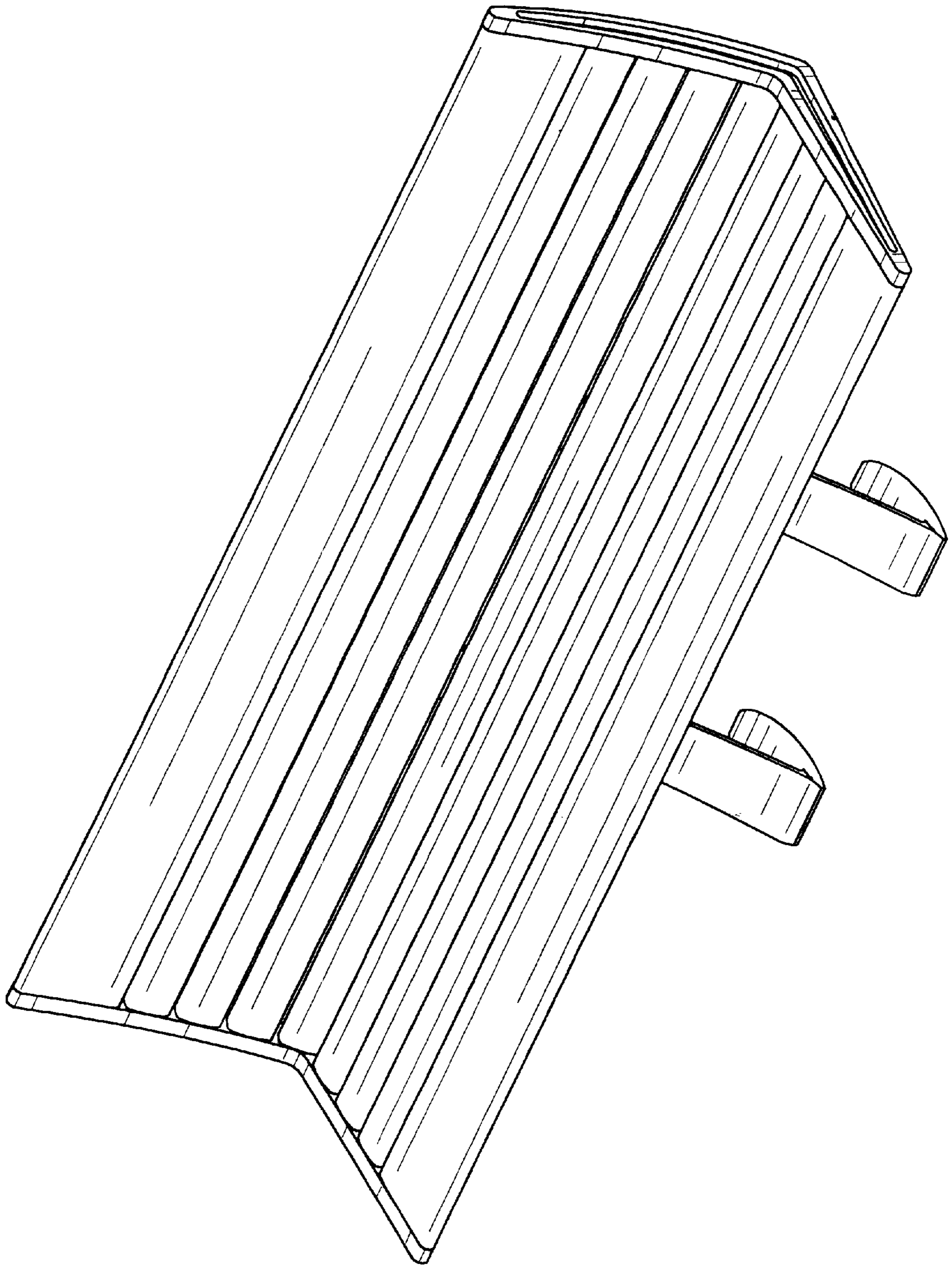


FIG. 1

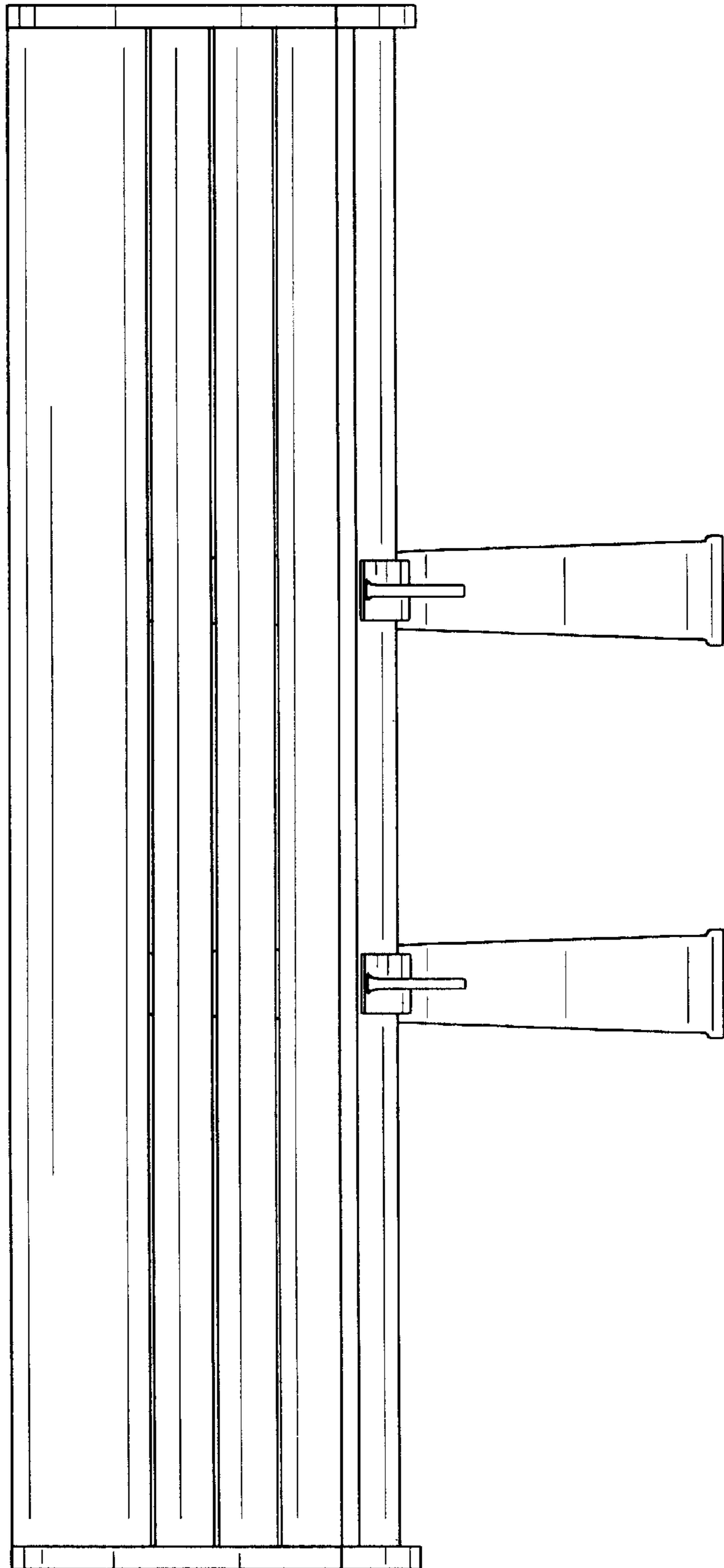
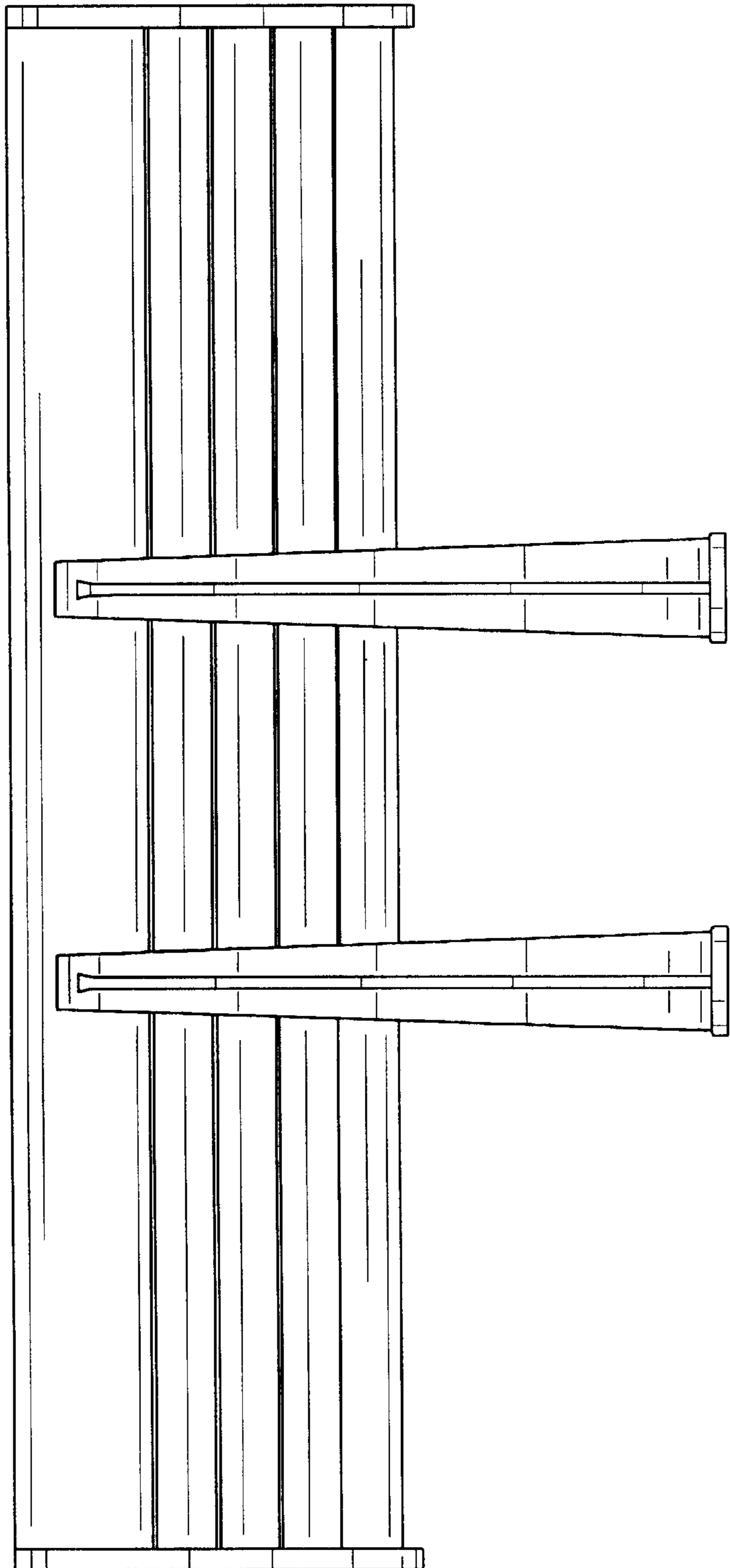


FIG.2

FIG. 3



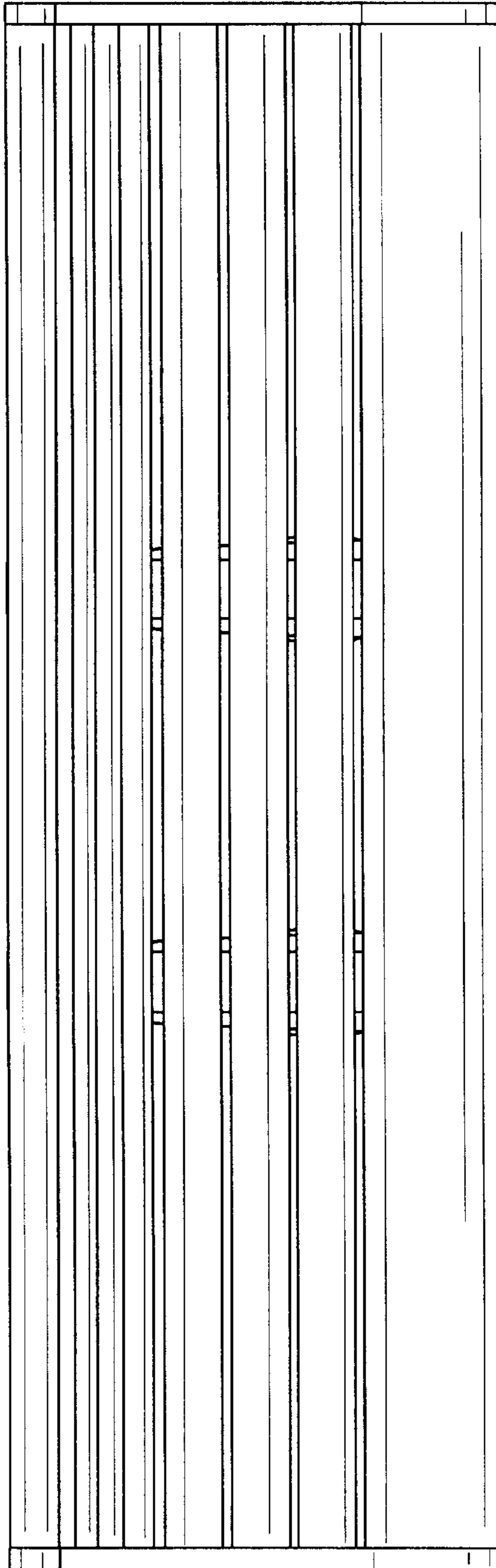


FIG.4

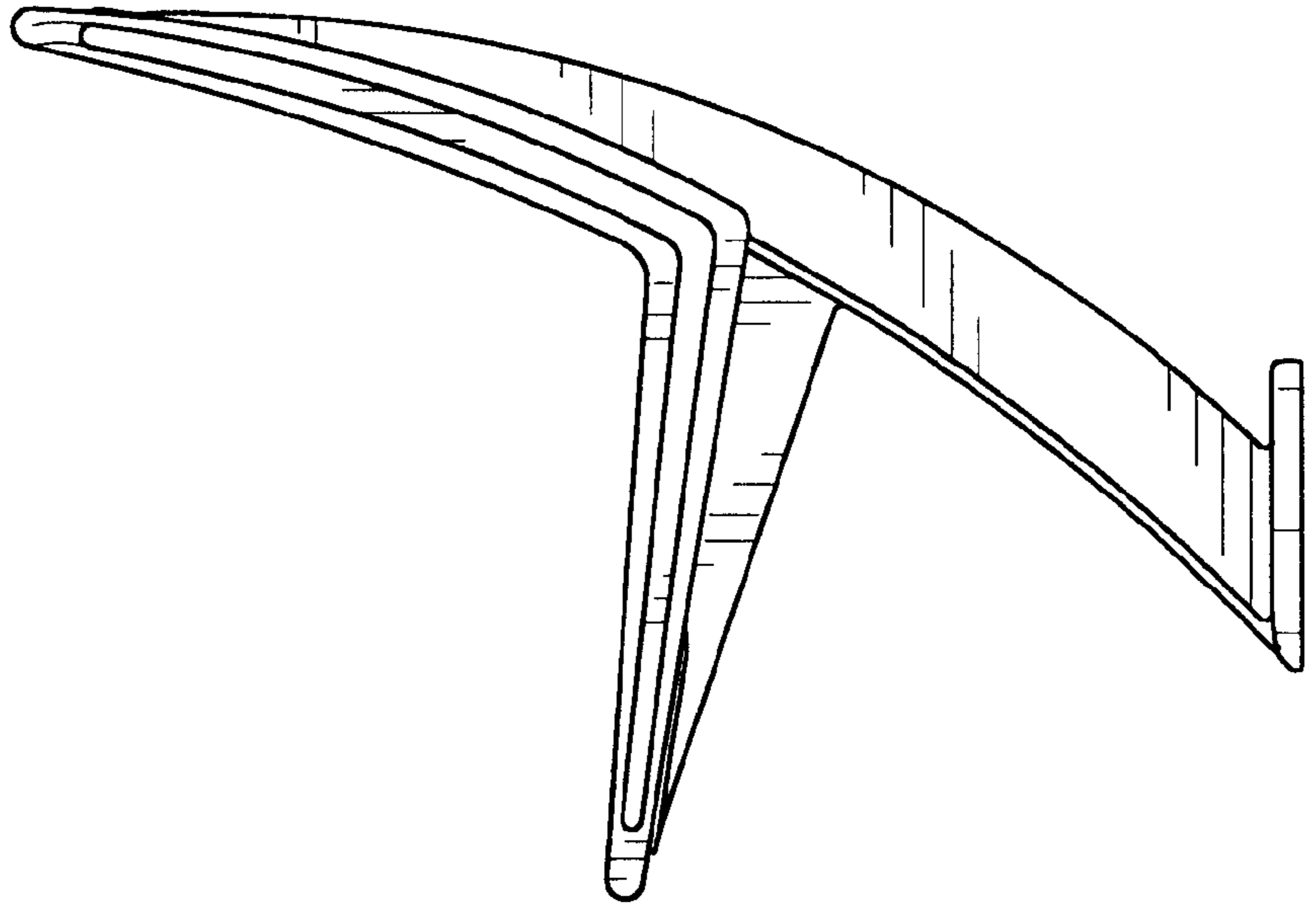


FIG. 5